

DESCRIPTION:

The PT31AV air vent is designed to remove air and non-condensable gases from steam systems. The removal of these gases is important for achieving better start-up efficiency and heat transfer in normal running.

SIZES : DN 8, 10, 15, 20

CONNECTIONS: Screwed (NPT, BSPT, BSP)
Socket weld

MATERIAL:

No.	PART	MATERIAL	QTY. (Nos.)
1.	BODY	ASTM A351 Gr. CF8*	01
2.	COVER	ASTM A351 Gr. CF8*	01
3.	CONTROLLER ASSY.	STAINLESS STEEL	01
4.	STRAINER SCREEN	AISI 304 (Perforated Sheet)	01
5.	GASKET	COPPER	01

*CF8M on special request.

DIMENSIONS - Nominal in mm

SIZE	Ø D	L	Wt.
DN8, 10, 15, 20	52	56	0.48 kg

LIMITING CONDITIONS:

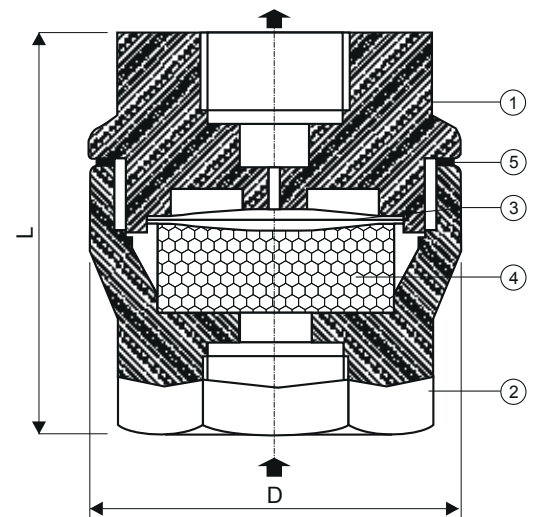
PMA: Max. allowable pressure	22 bar(g)
TMA: Max. allowable temp.	300 °C
PMO: Max. operating pressure	22 bar(g)
TMO: Max. operating temp.	250 °C
Cold hydro test pressure	44 bar(g)

INSTALLATION:

Preferably vertical with inlet from below.

AVAILABLE SPARES:

Controller, Strainer Screen, Gasket.



HOW TO ORDER:

PT31AV DN15 BSP

ORDERING INFORMATION:

- 1) Inlet Pressure in bar (g)
- 2) Back Pressure in bar (g)
- 3) Operating Temperature in °C
- 4) Condensate Load in kg/hr
- 5) Size & Model
- 6) End Connections

Local regulations may restrict the use of this product below the conditions quoted. Limiting conditions refer to standard connections only. In the interest of development and improvement of the product, we reserve the right to change the specifications without prior notice.