



HPV-84

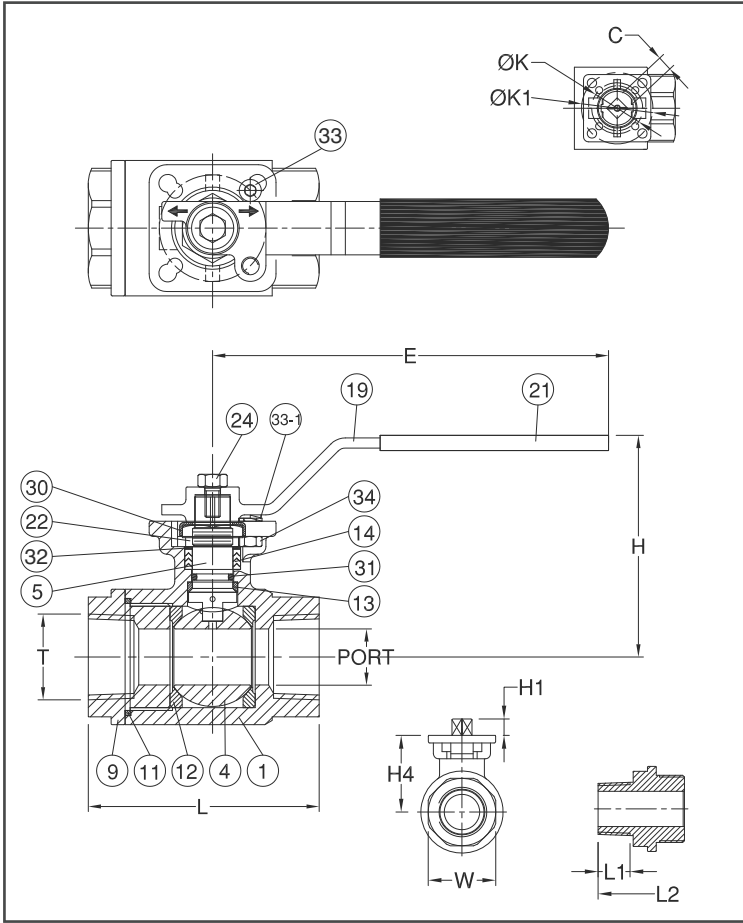
High Pressure Ball Valve

3000 PSI

Full Bore for 1/4" ~ 1-1/2"

Reduced Bore for 2"

CRN
CERTIFICATED



FEATURES

- Investment Cast Body Construction
- 2 Pieces Body Design
- Full Bore for 1/4" ~ 1-1/2"
- Reduced Bore for 2"
- ISO 5211 Direct Mounting Flange
- Blow-Out-Proof Stem Design
- Super Alloy materials for highly corrosive medium are available upon request

AUTOMATION
AVAILABLE

SPECIFICATIONS

- Size Range 1/4" ~ 2" (DN8 ~ DN50)
- End Connection Threaded Ends
- Working Pressure 3000PSI (CWP) / PN210
- Steam Pressure 150 PSIG. Saturated Steam for RTFE.
- Temperature Range -4 to 150 °F (-20 to 65 °C) for DELRIN
-4 to 356 °F (-20 to 250 °C) for PEEK

STANDARDS

- Design ASME/ANSI B16.34
- Threaded End NPT/ BS 21 (BSP) / BSPT / ISO 228-1 / DIN 2999 / ISO 7-1Rp
- Face to Face MFG Standard
- Material ASTM
- Pressure Testing API 598

CERTIFICATE

- Quality Assurance ISO 9001
- Material Certificate EN 10204-3.1 MTR
- CE Approval PED 2014/68/EU Module H
- Canadian Certificate CRN

MATERIAL LIST

NO.	PART NAME	MATERIAL (more options available)
1	BODY	ASTM A351 Gr.CF8M ASTM A351 Gr.WCB
4	BALL	ASTM A351 Gr.CF8M
5	STEM	ASTM A276 Gr.316
9	END CAP	ASTM A351 Gr.CF8M ASTM A216 Gr.WCB
11	BODY SEAL	PTFE.
12	SEAT	DELRIN® / PEEK
13	THRUST WASHER	DELRIN® / PEEK
14	STEM PACKING	PTFE.
19	HANDLE	SS304
21	HANDLE COVER	PLASTIC
22	HANDLE NUT	SS304
24	HANDLE NUT	SS304
30	TAB WASHER	SS304
31	O-RING	VITON
32	PACKING FOLLOWER	PTFE.+50%SS316
33	STOP PIN	SS304
33-1	STOP PIN WASHER	SS304
34	STOP PIN NUT	SS304

DIMENSION

SIZE		PORT	L	L1	L2	C	E	H	H1	H4	W	ØK	ØK1
DN8	1/4"	9.6	75	11.4	88.9	9	126	72	8	41.0	25.9	F04	F03
DN10	3/8"	9.6	75	11.4	88.9	9	126	72	8	41.0	25.9	F04	F03
DN15	1/2"	12.7	75	15.0	92.0	9	126	72	8	41.0	32.6	F04	F03
DN20	3/4"	17.5	81	16.0	99.0	9	126	75	8	43.8	38.4	F04	F03
DN25	1"	22.1	91	20.0	113.0	11	156	87	10	53.5	47.2	F05	F04
DN32	1-1/4"	29.0	110	21.0	127.1	11	156	93	10	59.0	58.9	F05	F04
DN40	1-1/2"	34.7	121	22.0	141.0	14	181	114	13	75.2	66.2	F07	F05
DN50	2"	34.7	145	23.0	155.0	14	181	114	13	75.2	82.0	F07	F05

DIMENSION

SIZE		PORT	L	L1	L2	C	E	H	H1	H4	W	ØK	ØK1
DN8	1/4"	0.38	2.95	0.45	3.50	0.35	4.96	2.83	0.31	1.61	1.02	F04	F03
DN10	3/8"	0.38	2.95	0.45	3.50	0.35	4.96	2.83	0.31	1.61	1.02	F04	F03
DN15	1/2"	0.50	2.95	0.59	3.62	0.35	4.96	2.83	0.31	1.61	1.28	F04	F03
DN20	3/4"	0.69	3.19	0.63	3.90	0.35	4.96	2.95	0.31	1.72	1.51	F04	F03
DN25	1"	0.87	3.58	0.79	4.45	0.43	6.14	3.43	0.39	2.11	1.86	F05	F04
DN32	1-1/4"	1.14	4.33	0.83	5.00	0.43	6.14	3.66	0.39	2.32	2.32	F05	F04
DN40	1-1/2"	1.37	4.76	0.87	5.55	0.55	7.13	4.49	0.51	2.96	2.61	F07	F05
DN50	2"	1.37	5.71	0.91	6.10	0.55	7.13	4.49	0.51	2.96	3.23	F07	F05