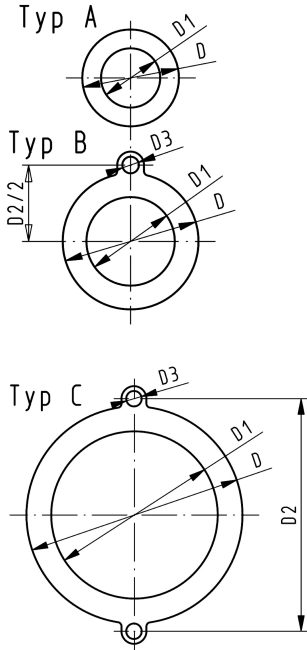


**Flat gasket  
EPDM**

**Model:**

- For all metric GF Flange Adaptors
  - Hardness approx. 65° Shore
  - Integrated fixation aids from d110
  - Centering on the inner diameter of the screw crown
- di FA are the suitable inner diameters of flanges adaptors



d (mm)	DN (mm)	PN (bar)	Type	EPDM Code	SP	Weight (kg)	D (mm)	D1 (mm)	D2 (mm)	D3 (mm)	H (mm)	di FA (mm)
16	10	10	A	748 400 305	0	0.004	46	16			2	6 - 26
20	15	10	A	748 400 306	0	0.012	51	20			2	10 - 30
25	20	10	A	748 400 307	0	0.004	61	25			2	15 - 35
32	25	10	A	748 400 308	0	0.008	71	32			2	22 - 42
40	32	10	A	748 400 309	0	0.013	82	40			3	30 - 50
50	40	10	A	748 400 310	0	0.016	92	50			3	40 - 60
63	50	10	A	748 400 311	0	0.018	107	63			3	53 - 73
75	65	10	A	748 400 312	0	0.029	127	71			3	61 - 81
90	80	10	A	748 400 313	0	0.035	142	84			3	74 - 94
110	100	10	B	748 400 314	0	0.051	162	104	180	18	4	94 - 114
125	100	10	B	748 400 315	0	0.044	162	119	180	18	4	109 - 129
140	125	10	B	748 400 316	0	0.068	192	134	210	18	4	124 - 144
160 - 180	150	10	B	748 400 317	0	0.090	218	155	241	22	4	145 - 165
200	200	6	C	748 400 319	0	0.210	273	195	295	22	5	185 - 205
225	200	6	C	748 400 320	0	0.140	273	216	295	22	5	206 - 226
250	250	6	C	748 400 321	0	0.210	328	250	350	22	5	240 - 260
280	250	6	C	748 400 322	0	0.151	328	273	350	22	5	263 - 283
315	300	6	C	748 400 323	0	0.237	378	305	400	22	5	295 - 315

The technical data are not binding. They neither constitute expressly warranted characteristics nor guaranteed properties nor a guaranteed durability. They are subject to modification. Our General Terms of Sale apply.

Georg Fischer Piping Systems Ltd, Postfach, CH-8201 Schaffhausen/Switzerland

Phone +41 -(0)52-631 1111

e-mail: info.ps@georgfischer.com

Internet: <http://www.gfps.com>