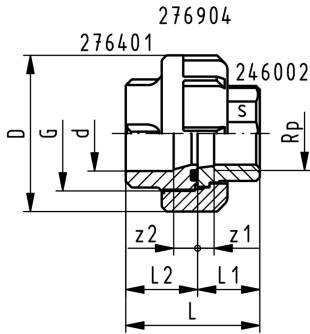




**PROGEF Standard adaptor union PP-H/malleable iron galvanised
Metric Rp (PN10)**

Model:

- Union End: malleable iron with parallel female thread Rp
- Union bush: fusion socket PP-H metric
- Union Nut: PP-H
- Gasket: O-ring EPDM



d (mm)	Rp (inch)	Code	SP	Weight (kg)	L (mm)	L1 (mm)	L2 (mm)	D (mm)	G (inch)	s (mm)	z1 (mm)	z2 (mm)
20	½	727 530 306	1	0.073	48	22	26	43	1	25	9	10
25	¾	727 530 307	1	0.118	50	22	28	51	1 1/4	31	7	10
32	1	727 530 308	5	0.199	56	26	30	58	1 1/2	38	9	10
40	1 ¼	727 530 309	1	0.276	65	31	34	72	2	48	12	12
50	1 ½	727 530 310	1	0.317	72	33	39	83	2 1/4	54	14	14
63	2	727 530 311	1	0.579	82	35	47	100	2 3/4	67	11	18

The technical data are not binding. They neither constitute expressly warranted characteristics nor guaranteed properties nor a guaranteed durability. They are subject to modification. Our General Terms of Sale apply.

Georg Fischer Piping Systems Ltd, Postfach, CH-8201 Schaffhausen/Switzerland

Phone +41 -(0)52-631 1111

e-mail: info.ps@georgfischer.com

Internet: <http://www.gfps.com>