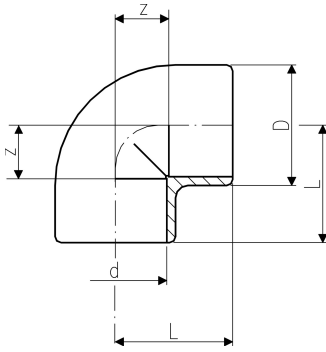




## PROGEF Standard elbow 90° (PN10)

### Model:

- Material: PP-H
- \* use pipe SDR 7.4



|   | d<br>(mm) | Code               | SP | Weight<br>(kg) | L<br>(mm) | D<br>(mm) | z<br>(mm) | closest<br>inch<br>(inch) |
|---|-----------|--------------------|----|----------------|-----------|-----------|-----------|---------------------------|
| * | 16        | <b>727 100 105</b> | 10 | 0.014          | 25        | 26        | 12        | 3/8                       |
|   | 20        | <b>727 100 106</b> | 10 | 0.020          | 28        | 31        | 14        | 1/2                       |
|   | 25        | <b>727 100 107</b> | 10 | 0.029          | 32        | 36        | 16        | 3/4                       |
|   | 32        | <b>727 100 108</b> | 10 | 0.044          | 38        | 44        | 20        | 1                         |
|   | 40        | <b>727 100 109</b> | 10 | 0.071          | 44        | 54        | 24        | 1 1/4                     |
|   | 50        | <b>727 100 110</b> | 10 | 0.121          | 51        | 66        | 28        | 1 1/2                     |
|   | 63        | <b>727 100 111</b> | 10 | 0.228          | 62        | 82        | 35        | 2                         |
|   | 75        | <b>727 100 112</b> | 5  | 0.301          | 76        | 93        | 45        | 2 1/2                     |
|   | 90        | <b>727 100 113</b> | 5  | 0.477          | 88        | 110       | 53        | 3                         |
|   | 110       | <b>727 100 114</b> | 4  | 0.869          | 106       | 134       | 65        | 4                         |

The technical data are not binding. They neither constitute expressly warranted characteristics nor guaranteed properties nor a guaranteed durability. They are subject to modification. Our General Terms of Sale apply.

Georg Fischer Piping Systems Ltd, Postfach, CH-8201 Schaffhausen/Switzerland

Phone +41 -(0)52-631 1111

e-mail: [info.ps@georgfischer.com](mailto:info.ps@georgfischer.com)

Internet: <http://www.gfps.com>