

Strainer Type 305



Product description

To protect valves, sensors and pumps from pollutants, we recommend the use of strainers of Type 305. This ensures reliable operation and extended service life for your components. The broad product range includes various materials, end connectors and standards, suitable for a wide variety of applications.

Function

The media flow is conducted through the sieve in the strainer from the inside to the outside. This keeps back and collects the dirt particles.

Applications

- Chemical process industry
- Industrial plant engineering
- Cooling processes
- Water treatment

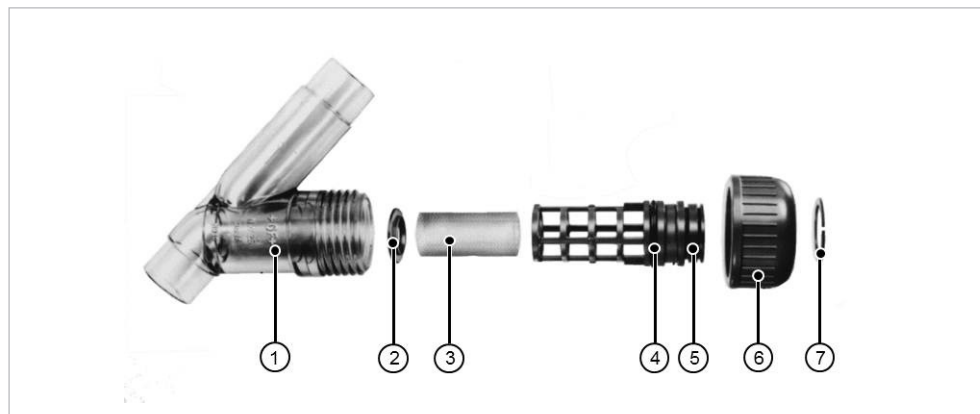
Benefits/features

- Simple and quick installation
- Transparent design (transparent PVC) for checking the amount of contamination visually
- All parts that come into contact with the medium are manufactured using highly resistant thermoplastics
- Radially removable (PP-H)
- Easy dismantling for cleaning or replacing the filter
- Integrated threaded connections
- Guarantees reliable operation of the plant through simple dismantling
- The components used extend service life

Flow media

Neutral and aggressive liquid or gaseous media, as long as the components of the valve that come into contact with the media are resistant at the operating temperature in question according to the resistance table.

Technical data



- ① Housing
- ② Support ring
- ③ Slotted casing
- ④ Body seal
- ⑤ Screen cage
- ⑥ Cap nut
- ⑦ Circlip

Specification	
Dimensions	d20/DN15 – d63/DN50, ½" – 2" PVC-U: d20/DN15 - d90/DN80, ½" – 3"
Valve body materials	PVC-U, PVC-C, ABS, PP-H, transparent PVC-U
Gasket materials	EPDM, FKM
Pressure level	PN10
Hole diameter	PVC-U slotted casing 0.5 mm, 0.8 mm, 1.4 mm, 2.2 mm Stainless steel slotted casing 0.5 mm
Connections	Solvent cement sockets Solvent cement spigots Fusion sockets

Kv 100 values

PVC-U/PP screen hole diameter 0.5 – 2.2 mm

DN (mm)	Inch (inch)	d #(mm)	Kv 100 (l/min) (Δp = 1 bar)	Cv 100 (US gal./min) (Δp = 1 psi)	kv 100 (m³/h) (Δp = 1 bar)
15	½	20	35	2.5	2.1
20	¾	25	65	4.6	3.9
25	1	32	90	6.3	5.4
32	1¼	40	155	10.9	9.3
40	1½	50	225	15.8	13.5
50	2	63	370	25.9	22.2
65	2½	75	575	40.3	34.5
80	3	90	955	66.9	57.5

Stainless steel screen mesh size 0.5 mm

DN (mm)	Inch (inch)	d (mm)	Kv 100 (l/min) (Δp = 1 bar)	Cv 100 (US gal./min) (Δp = 1 psi)	kv 100 (m³/h) (Δp = 1 bar)
15	½	20	35	2.5	2.1
20	¾	25	60	4.2	3.6
25	1	32	85	6.0	5.1
32	1¼	40	130	9.1	7.8
40	1½	50	200	14.0	12.0
50	2	63	330	23.1	19.8
65	2½	75	460	32.2	27.6
80	3	90	665	46.6	40.0

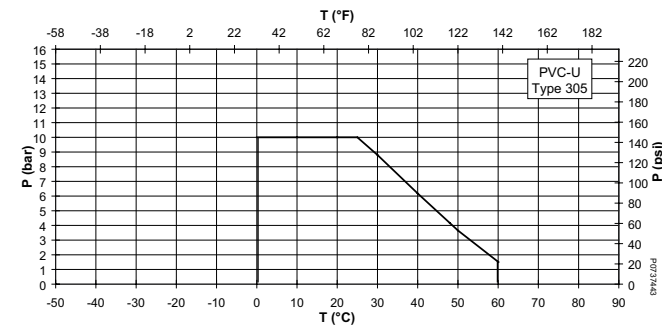
Pressure-temperature diagrams

The following pressure-temperature diagrams are based on a lifetime of 25 years and water or similar media.

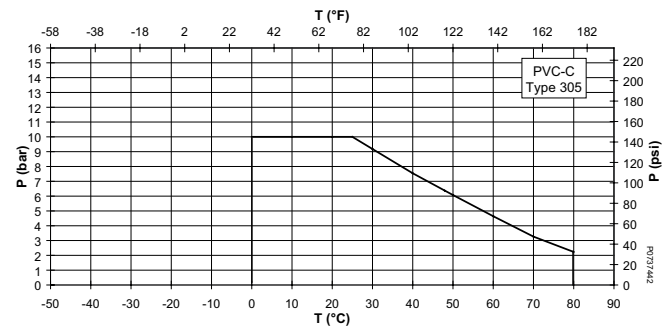
T Temperature (°C, °F)

P Permissible pressure (bar, psi)

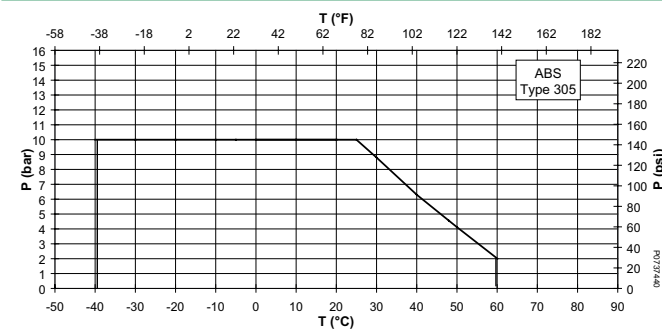
PVC-U



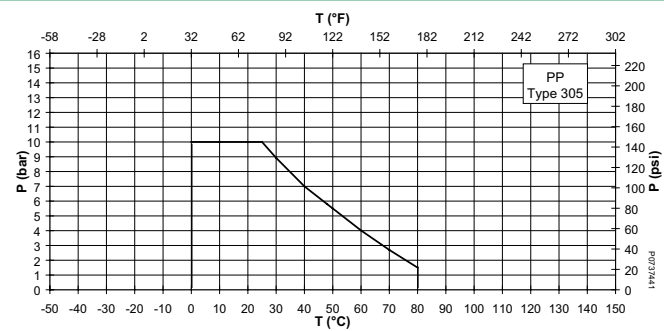
PVC-C



ABS

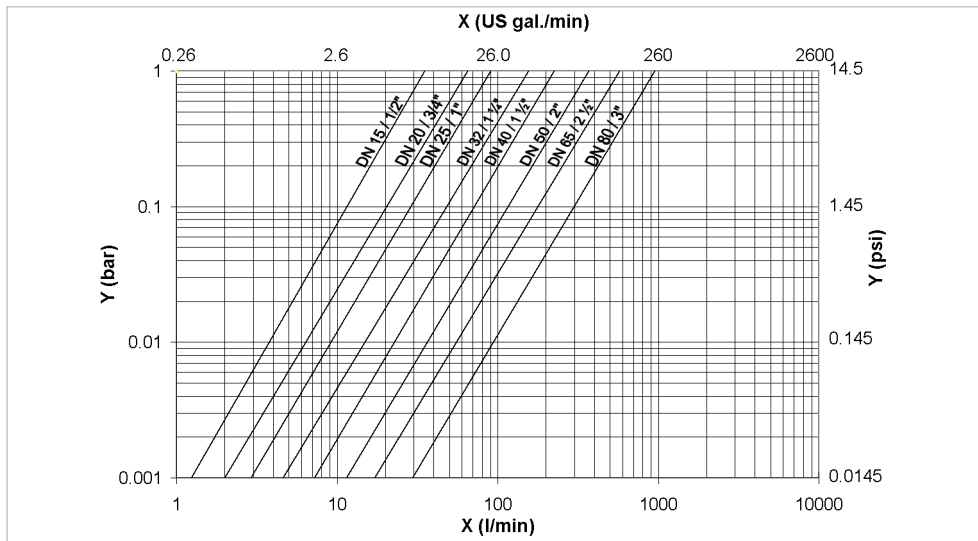


PP



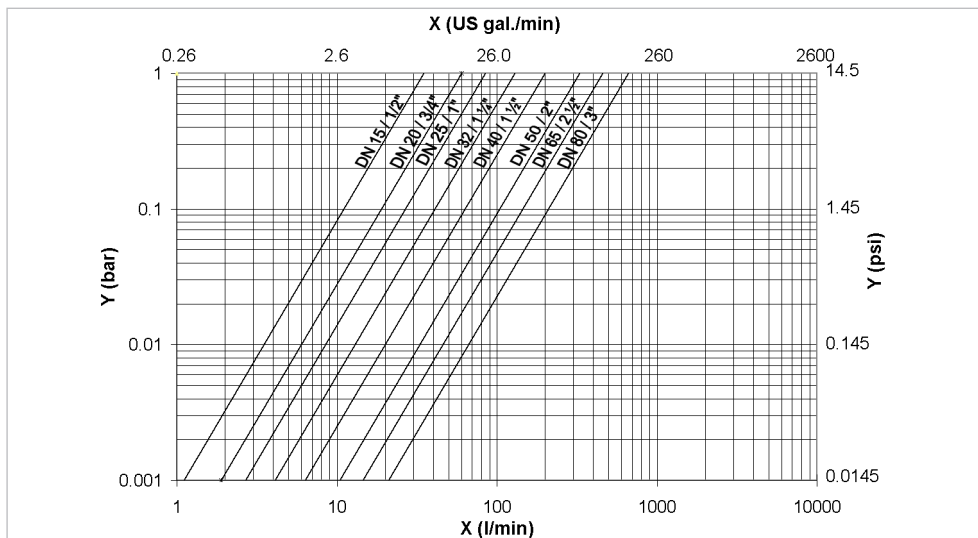
Pressure losses

PVC-U/PP screens (hole diameter 0.5 – 2.2 mm)



- X Flow rate (l/min, US gal/min)
- Y Pressure loss Δp (bar, psi)

Stainless steel screens (mesh size: ca. 0.5 mm)

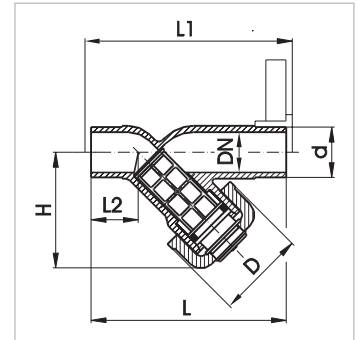


- X Flow rate (l/min, US gal/min)
- Y Pressure loss Δp (bar, psi)

Dimensions

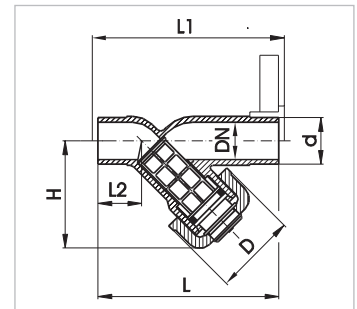
PVC-U solvent cement socket, metric, and transparent PVC-U, metric

DN (mm)	d (mm)	D (mm)	L (mm)	L1 (mm)	l2 (mm)	H (mm)	closest (inch)
20	20	48	124	130	28	65	1/2
25	25	54	144	150	37	76	3/4
32	32	62	154	160	37	90	1
40	40	71	174	180	44	104	1 1/4
50	50	88	194	200	48	124	1 1/2
63	63	103	224	230	0	148	2



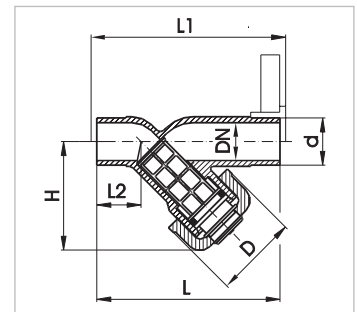
PVC-U cement solvent spigot, metric

DN (mm)	d (mm)	D (mm)	L (mm)	L1 (mm)	l2 (mm)	H (mm)	closest (inch)
20	20	48	124	130	28	65	1/2
25	25	54	144	150	37	76	3/4
32	32	62	154	160	37	90	1
40	40	71	174	180	44	104	1 1/4
50	50	88	194	200	48	124	1 1/2
63	63	103	224	230	60	148	2



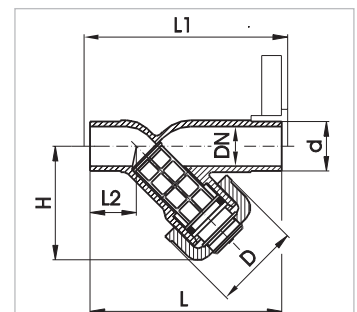
ABS solvent cement spigot, metric

DN (mm)	d (mm)	D (mm)	L (mm)	L1 (mm)	l2 (mm)	H (mm)	closest (inch)
20	20	52	168	130	75	140	1/2
25	25	62	192	150	80	160	3/4
32	32	68	206	160	90	170	1
40	40	85	230	180	110	190	1 1/4
50	50	85	256	200	125	210	1 1/2
63	63	102	294	230	150	240	2



PP solvent cement spigot, metric

DN (mm)	d (mm)	D (mm)	L (mm)	L1 (mm)	l2 (mm)	H (mm)	closest (inch)
20	20	52	168	130	75	140	1/2
25	25	62	192	150	80	160	3/4
32	32	68	206	160	90	170	1
40	40	85	230	180	110	190	1 1/4
50	50	85	256	200	125	210	1 1/2
63	63	102	294	230	150	240	2



⚠ Installation and maintenance must be performed in accordance with the corresponding installation manual. The installation manual is provided with the product, see also the online product catalogue at www.gfps.com.

The information and technical data (altogether "Data") herein are not binding, unless explicitly confirmed in writing. The Data neither constitutes any expressed, implied or warranted characteristics, nor guaranteed properties or a guaranteed durability. All Data is subject to modification. The General Terms and Conditions of Sale of Georg Fischer Piping Systems apply.

09/2020-A

© Georg Fischer Piping Systems Ltd, 8201 Schaffhausen/Switzerland
 Tel. +41 52 631 11 11 • www.gfps.com • E-Mail: info.ps@georgfischer.com