

---

# Disc & Screen Filters

---

## GLA100 manual filters series



MATERIALS		
Type	Body	Cartridge
Disc	Polypropylen PP	Polypropylen PP
Screen	Polypropylen PP	Stainless steel 304

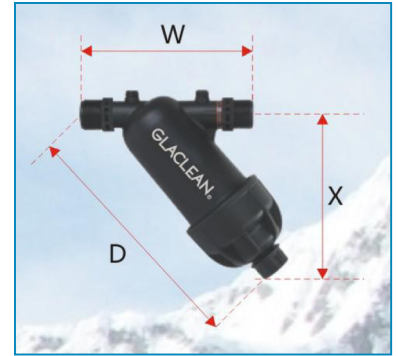
### FILTERS BENEFIT

- The body made of high quality polypropylene, strong and durable
- Easy to install, with good compressive strenght, with a max. working pressure at 8 bar (116 psi)
- With cartridge in disc type & screen type
- Full range sizes: 3/4", 1", 1.5", 2"

The end of body with thread & cap, easy for wastes discharge or pressure reduction

- The design of pressure gauge connection, available in all sizes
- Disc filter cartridge is from polypropylen PP
- Screen filter cartridge is from stainless steel 304

DIMENSIONS						
Model	Connections		Sizes (mm)			Weight (g)
	A	B	W	X	D	
G100D20B130	3/4" BSP	3/4" BSP	172	110	189	276
G100D20N130	3/4" NPT	3/4" NPT				
G100D25B130	1" BSP	1" BSP	183	110	195	282
G100D25N130	1" NPT	1" NPT				
G100D40B130	1-1/2" BSP	1-1/2" BSP	211	122	232	392
G100D40N130	1-1/2" NPT	1-1/2" NPT				
G100D50B130	2" BSP	2" BSP	244	171	312	650
G100D50N130	2" NPT	2" NPT				
G100S20B130	3/4" BSP	3/4" BSP	172	110	189	196
G100S20N130	3/4" NPT	3/4" NPT				
G100S25B130	1" BSP	1" BSP	183	110	195	198
G100S25N130	1" NPT	1" NPT				
G100S40B130	1-1/2" BSP	1-1/2" BSP	211	122	232	312
G100S40N130	1-1/2" NPT	1-1/2" NPT				
G100S50B130	2" BSP	2" BSP	244	171	312	570
G100S50N130	2" NPT	2" NPT				

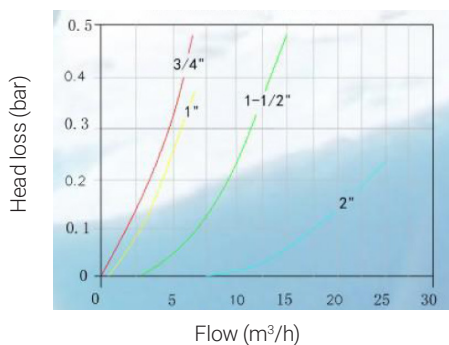


TECHNICAL CHARACTERISTICS					
Connection	Max. flow		Filtration surface		Max. pressure
	Discs	Screen	Discs	Screen	
	m³/h		cm²		kg/cm²
3/4"	4	5	152	126	8
1"	5	6	152	126	8
1 1/2"	12	14	206	180	8
2"	22	24	362	328	8

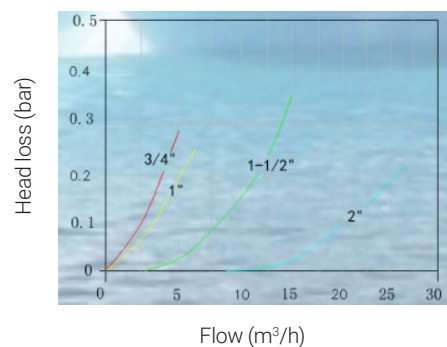


### HEAD LOSS:

GLA100 disc head loss (130 micron)



GLA100 disc head loss (130 micron)



Disc or screen cartridge color	
	200 micron (75 mesh)
	100 micron (150 mesh)
	130 micron (120 mesh)
	50 micron (300 mesh)

## GLA200 manual filters series



### FILTERS BENEFIT

GLA200 is the range of manual filters manufactured in technical plastic. It is resistant to most of the products normally used in agriculture. The hydraulic design of filter minimizes the head loss, saving energy and optimizing its performance.

### TECHNOLOGY

#### Modularity.

Versatility, compatibility and easy maintenance. The system permits a wide range of flow rates and configurations using a minimal number of components.

Maximum quality and safety in filtration.

Wide range of filtration grades in discs and screens.

#### The largest filtration area of its kind.

#### Robustness.

Base and lid manufactured in high quality thermo-plastic.

#### Easy installation, handling and maintenance.

No tools required for maintenance.

#### Threaded tightening nut.

Very resistant to variations of pressure and temperature.

#### Equipped with pressure gauges intakes.

#### 3 mouth housing with different connection possibilities.

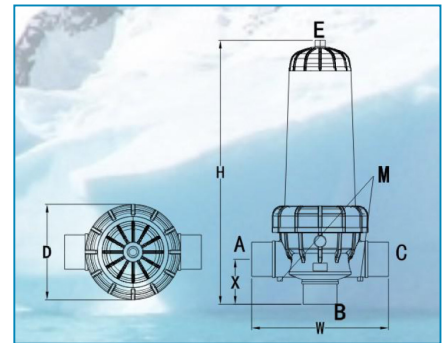
BSP, NPT or grooved connection. The filter can be installed in any position.

#### The lid incorporates an auxiliary 3/4" thread.

It permits the installation of a depressurization valve and emptying of the filter.

#### Water and energy saving.

DIMENSIONS										
Model	Connections					Sizes (mm)				Weight (g)
	A	B	C	E	M	H	W	X	D	
G200D50NB	2" BSP	2" BSP	2" BSP	3/4" BSP	1/4" BSP	426	286	76	235	3,92
G200D50NN	2" NPT	2" NPT	2" NPT							
G200D50NL	2" VIC	2" VIC	2" BSP	3/4" BSP	1/4" BSP	606	286	76	235	5,18
G200D50NM	2" VIC	2" BSP	2" VIC							
G200D50SB	2" BSP	2" BSP	2" BSP	3/4" BSP	1/4" BSP	502	336	112	235	4,16
G200D50SN	2" NPT	2" NPT	2" NPT							
G200D50SL	2" VIC	2" VIC	2" BSP	3/4" BSP	1/4" BSP	656	336	112	235	5,39
G200D50SM	2" VIC	2" BSP	2" VIC							
G200D80CB	3" BSP	3" BSP	3" BSP	3/4" BSP	1/4" BSP	502	336	112	235	4,16
G200D80CN	3" NPT	3" NPT	3" NPT							
G200D80CL	3" VIC	3" VIC	3" BSP	3/4" BSP	1/4" BSP	656	336	112	235	5,39
G200D80CM	3" VIC	3" BSP	3" VIC							
G200D80NB	3" BSP	3" BSP	3" BSP	3/4" BSP	1/4" BSP	656	336	112	235	5,39
G200D80NN	3" NPT	3" NPT	3" NPT							
G200D80NL	3" VIC	3" VIC	3" BSP	3/4" BSP	1/4" BSP	656	336	112	235	5,39
G200D80NM	3" VIC	3" BSP	3" VIC							



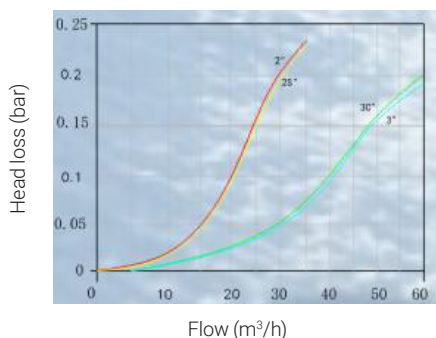
TECHNICAL CHARACTERISTICS				
Model	Max. flow, m³/h	Filtration surface		Max. pressure, kg/cm²
		Discs, cm²	Screen, cm²	
G200D50N	30	1060	660	10
G200D50S	30	1680	980	10
G200D80C	50	1060	660	10
G200D80N	50	1680	980	10

*The flow rate given by filter, conditions the frequency of the flushings.*

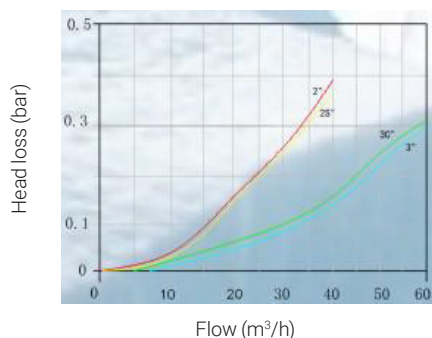
MATERIALS		
Type	Disc type	Screen type
Housing	Polypropylen PP	
Filtering element	Polypropylen PP	Stainless steel 304
Locking threads	Polyamide reinforced with fiberglass	
Sealing element	NBR	

### HEAD LOSS:

GLA200 screen head loss (130 micron)



GLA200 discs head loss (130 micron)



Disc or screen cartridge color	
	200 micron (75 mesh)
	100 micron (150 mesh)
	130 micron (120 mesh)
	50 micron (300 mesh)

## GLA300 manual filters series



### FILTERS BENEFIT

#### Accurate filtration, highly stable water flow.

- Well designed disc filter & stainless steel screen filter, ensure to stop particulates to get a good filtration result.

#### Modular construction, seamless replacement, easy for installation.

- Victaulic connection, easy for install and change.
- Fiberglass reinforced nylon material for good pressure bearing capability and wear resistance.
- Molding products, with very little dimension difference.
- Different connection for fast assembling available, easy for installation and change.





#### Suitable for different working environment.

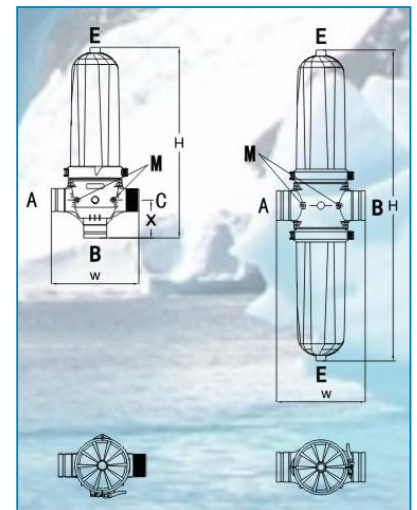
- No powder demand for filter, can be used without electricity.
- Multiple ways of installation & position, no need to be categorical vertical or horizontal during installation.
- Multiple precision of disc available, good for filtration of hard particulates.
- Pressure gauge connector and drainage connector on top, easy for use.
- Fully stainless steel safety clamp, easy to install & maintenance.

DIMENSIONS									
Model	Connections			Sizes (mm)					Weight (g)
	A	B	C	E	M	H	W	X	
G300D50NB	2" BSP	2" BSP	2" BSP	3/4" BSP	1/4" BSP	599	310	134	7,65
G300D50NN	2" NPT	2" NPT	2" NPT						
G300D50NL	2" VIC	2" VIC	2" BSP						
G300D50NM	2" VIC	2" BSP	2" VIC						
G300D50SB	2" BSP	2" BSP	2" BSP	3/4" BSP	1/4" BSP	723	310	134	9,1
G300D50SN	2" NPT	2" NPT	2" NPT						
G300D50SL	2" VIC	2" VIC	2" BSP						
G300D50SM	2" VIC	2" BSP	2" VIC						
G300D80CB	3" BSP	3" BSP	3" BSP	3/4" BSP	1/4" BSP	605	337	148	7,8
G300D80CN	3" NPT	3" NPT	3" NPT						
G300D80CL	3" VIC	3" VIC	3" BSP						
G300D80CM	3" VIC	3" BSP	3" VIC						
G300D80NB	3" BSP	3" BSP	3" BSP	3/4" BSP	1/4" BSP	729	337	148	9,3
G300D80NN	3" NPT	3" NPT	3" NPT						
G300D80NL	3" VIC	3" VIC	3" BSP						
G300D80NM	3" VIC	3" BSP	3" VIC						
G300D80SM	3" VIC	3" VIC		3/4" BSP	1/4" BSP	1200	341		21
G300D100NM	4" VIC	4" VIC							

TECHNICAL CHARACTERISTICS				
Model	Max. flow, m <sup>3</sup> /h	Filtration surface		Max. pressure, kg/cm <sup>2</sup>
		Discs, cm <sup>2</sup>	Screen, cm <sup>2</sup>	
G300D50N	32	1220	920	10
G300D50S	32	1730	1160	10
G300D80C	55	1220	920	10
G300D80N	65	1730	1160	10
G300D80S	80	3460	2320	10
G300D100N	100	3460	2320	10

MATERIALS	
Body	Nylon with glass fiber
Disc	Polypropylene
Sealing	Stainless steel hoop with natural rubber
Bracket parts	Nylon with glass fiber
Screen	Stainless steel 304

Disc or screen cartridge color	
	200 micron (75 mesh)
	100 micron (150 mesh)
	130 micron (120 mesh)
	50 micron (300 mesh)



## GLA600 automatic filters series



### FILTERS BENEFIT

#### Automatic backflush filters

GLACLEAN automatic disc filter allows to obtain the maximum quality in filtration and minimum energy consumption. Our filter minimum the water lose, reduce system maintenance costs.

#### Better filtration reliability - disc type filtration.

Elaborate design of inner construction & disc cartridge, ensured the impurities that might plug the system to be stopped.

#### Better water saving and reduce system maintenance cost - centrifugal filtration.

The helix create centrifugal action, big impurities flow away cartridge, optimize the filtration performance and reduce back wash frequency and maintenance and water lose, get the best filtration result.

#### Better automatic self-cleaning result - accurate small nozzle design.

Numerous small nozzle in cartridge, create spiral high speed water stream, which

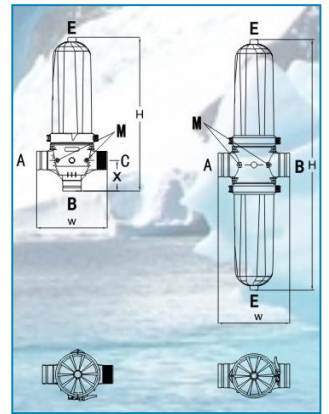
get efficient cleaning of discs. Low flow demanding, ensure the flow rate of whole system more stable, and get efficient self-cleaning.

#### Multiple precision of disc available - good for different working conditions.

Color coded disc precision in 200 micron, 130 micron, 100 micron, 50 micron.

#### Molding products, with very little dimension difference.

Different connection available for fast assembling, easy for installation and change.



Disc or screen cartridge color	
	200 micron (75 mesh)
	100 micron (150 mesh)
	130 micron (120 mesh)
	50 micron (300 mesh)

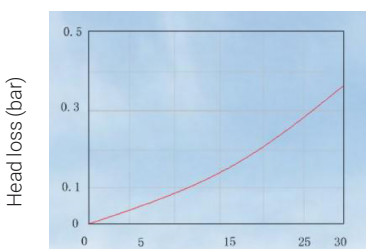
DIMENSIONS									
Model	Connections					Sizes (mm)			Weight (g)
	A	B	C	E	M	H	W	X	
G600D50SL	2" VIC	2" VIC	2" BSP	3/4" BSP	1/4" BSP	723	310	134	9,7
G600D50SM	2" VIC	2" BSP	2" VIC	3/4" BSP	1/4" BSP	723	310	134	9,7
G600D80NL	3" VIC	3" VIC	3" BSP	3/4" BSP	1/4" BSP	729	337	148	9,9
G600D80NM	3" VIC	3" BSP	3" VIC	3/4" BSP	1/4" BSP	729	337	148	9,9
G600D100NM	4" VIC	4" VIC		3/4" BSP	1/4" BSP	1200	341		23

TECHNICAL CHARACTERISTICS				
Model	Max. flow, m <sup>3</sup> /h	Filtration surface		Max. pressure, kg/cm <sup>2</sup>
		Discs, cm <sup>2</sup>	Screen, cm <sup>2</sup>	
G600D50S	26	1520	10	3
G600D80N	36	1520	10	3
G600100N	72	3040	10	6

Model	Connection	Description	Filter precision	
			Micron	Mesh
G600D50SL	90° interface/grooved	2" large overlapping filter unit	400	38
G600D50SM	180° interface/grooved	2" large overlapping filter unit	200	75
G600D80NL	90° interface/grooved	3" large overlapping filter unit	130	120
G600D80NM	180° interface/grooved	3" large overlapping filter unit	100	150
G600D100NM	180° interface/grooved	4" large overlapping filter unit	50	300
G600D100NM	180° interface/grooved	4" large overlapping filter unit	20	625

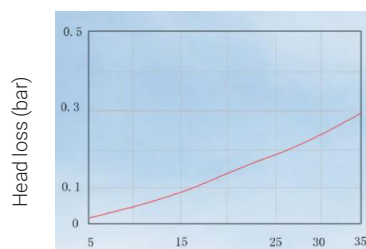
### HEAD LOSS:

G50S head loss (130 micron)



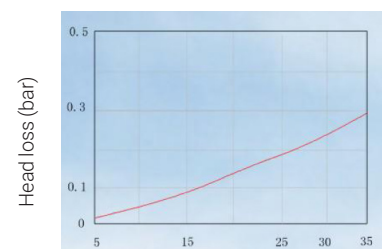
Flow (m<sup>3</sup>/h)

G80S head loss (130 micron)



Flow (m<sup>3</sup>/h)

G100N head loss (130 micron)



Flow (m<sup>3</sup>/h)

## GLS2000 automatic filters series



### FILTERS BENEFIT

#### Automatic filtration system advantages Centrifugal filtration.

Helix created centrifugal action optimizes the filtration performance and reduces backwash frequency and maintenance.

#### Disc filtration with maximum safety.

All the components are made of high quality materials. The unique design guarantee an extended life with high resistance.

#### Modular construction.

The versatility and compatibility of filter permits the system a wide range of flows and configurations, easy to install & change.

#### Low maintenance.

No tools demand for filter maintenance, easy and fast.

#### Exclusive piston system.

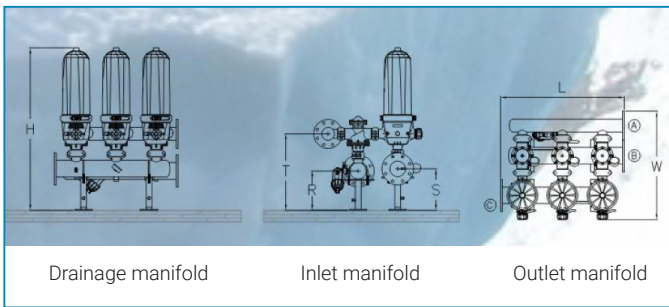
A piston system to compact the filter elements allows for easy decompression of the disc stack during backwash. Easy for handling and disc maintenance.

#### Water and energy saving.

High efficiency filtration system & backwashing system save the water and energy.

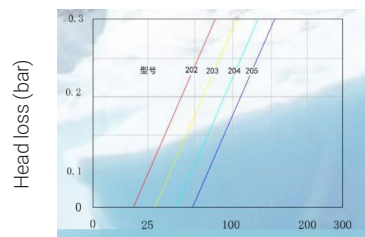
### DIMENSIONS

Model	Specifications No of filters	Sizes, (mm)					
		L	W	H	R	T	S
GLS202X3F	2" x 2	575	745	1087	256	498	270
GLS202X4F	2" x 2	575	745	1112	269	523	284
GLS203X4F	2" x 3	850	745	1112	269	523	284
GLS204X4F	2" x 4	1125	745	1112	269	523	284
GLS205X6F	2" x 5	1400	773	1163	295	574	309



### HEAD LOSS

GLS2000 head loss (130 micron)



### Disc or screen cartridge color

	200 micron (75 mesh)
	100 micron (150 mesh)
	130 micron (120 mesh)
	50 micron (300 mesh)

### TECHNICAL CHARACTERISTICS

Model	Max. flow, m³/h	Filtration surface	Max. pressure	Min. flow Backflush, l/s
		Filtration		
		cm²	kg/cm²	
GLS202X3F	40	3040	10	3
GLS202X4F	52	3040	10	3
GLS203X4F	78	4560	10	3
GLS204X4F	104	6080	10	3
GLS205X6F	130	7600	10	3

### MATERIALS

Body	Nylon with glass fiber
Disc	Polypropylene
Sealing	Stainless steel hoop with natural rubber
Bracket parts	Nylon with glass fiber
Compress the piston	Nylon with glass fiber with PTFE

## GLS3000 automatic filters series



### FILTERS BENEFIT

#### Automatic filtration system advantages Centrifugal filtration.

Helix created centrifugal action optimizes the filtration performance and reduces backwash frequency and maintenance.

#### Disc filtration with maximum safety.

All the components are made of high quality materials. The unique design guarantee an extended life with high resistance.

#### Modular construction.

The versatility and compatibility of filter permits the system a wide range of flows and configurations, easy to install & change.

#### Low maintenance.

No tools demand for filter maintenance, easy and fast.

#### Exclusive piston system.

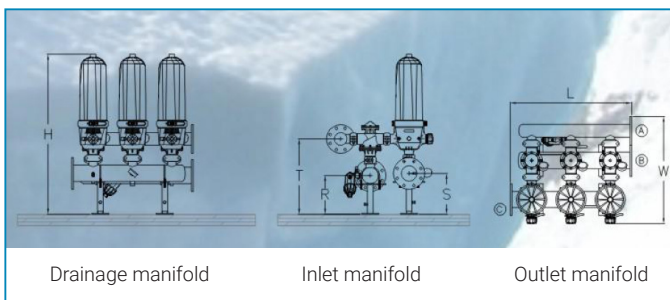
A piston system to compact the filter elements allows for easy decompression of the disc stack during backwash. Easy for handling and disc maintenance.

#### Water and energy saving.

High efficiency filtration system & backwashing system save the water and energy.

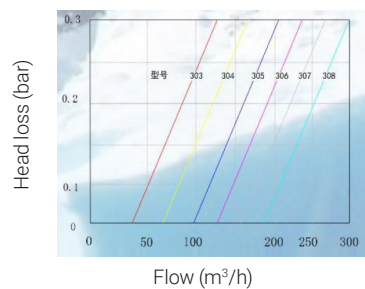
### DIMENSIONS

Model	Specifications No of filters	Sizes, (mm)					
		L	W	H	R	T	S
GLS303X6F	3" x 3	850	830	1205	295	616	337
GLS304X6F	3" x 4	1125	830	1205	295	616	337
GLS305X6F	3" x 5	1400	830	1205	295	616	337
GLS306X8F	3" x 6	1675	840	1259	322	670	364
GLS307X8F	3" x 7	1950	840	1259	322	670	364
GLS308X8F	3" x 8	2225	840	1259	322	670	364



### HEAD LOSS

GLS3000 head loss (130 micron)



### Disc or screen cartridge color

	200 micron (75 mesh)
	100 micron (150 mesh)
	130 micron (120 mesh)
	50 micron (300 mesh)

### TECHNICAL CHARACTERISTICS

Model	Max. flow, m³/h	Filtration surface	Max. pressure	Min. flow Backflush, l/s
		Filtration		
		cm²	kg/cm²	
GLS303X6F	108	4560	10	3
GLS304X6F	144	6080	10	3
GLS305X6F	180	7600	10	3
GLS306X8F	216	9552	10	3
GLS307X8F	252	10640	10	3
GLS308X8F	288	12160	10	3

### MATERIALS

Body	Nylon with glass fiber
Disc	Polypropylene
Sealing	Stainless steel hoop with natural rubber
Bracket parts	Nylon with glass fiber
Compress the piston	Nylon with glass fiber with PTFE

## GLS4000 automatic filters series



### FILTERS BENEFIT

#### Automatic filtration system advantages Centrifugal filtration.

Helix created centrifugal action optimizes the filtration performance and reduces backwash frequency and maintenance.

#### Disc filtration with maximum safety.

All the components are made of high quality materials. The unique design guarantee an extended life with high resistance.

#### Modular construction.

The versatility and compatibility of filter permits the system a wide range of flows and configurations, easy to install & change.

#### Low maintenance.

No tools demand for filter maintenance, easy and fast.

#### Exclusive piston system.

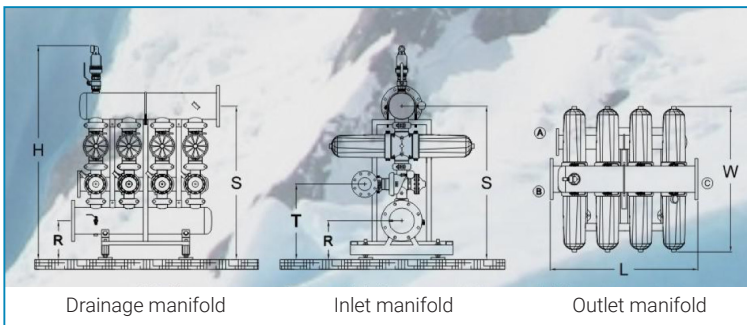
A piston system to compact the filter elements allows for easy decompression of the disc stack during backwash. Easy for handling and disc maintenance.

#### Water and energy saving.

High efficiency filtration system & backwashing system save the water and energy.

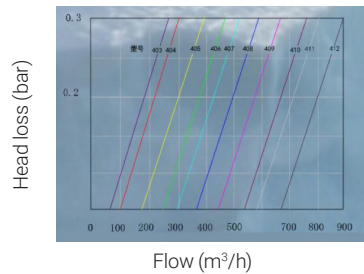
### DIMENSIONS

Model	Specifications No of filters	Sizes, (mm)					
		L	W	H	R	T	S
GLS403X8F	4" x 3	950	1200	1765	320	623	1266
GLS404X8F	4" x 4	1225	1200	1765	320	623	1266
GLS405X10F	4" x 5	1500	1200	1875	350	680	1350
GLS406X10F	4" x 6	1775	1200	1875	350	680	1350
GLS407X12F	4" x 7	2050	1200	1990	390	754	1442
GLS408X12F	4" x 8	2325	1200	1990	390	754	1442
GLS409X14F	4" x 9	2725	1200	2110	440	826	1546
GLS410X14F	4" x 10	3000	1200	2110	440	826	1546
GLS411X14F	4" x 11	3275	1200	2110	440	826	1546
GLS412X16F	4" x 12	3550	1200	2230	495	889	1652



### HEAD LOSS

GLS4000 head loss (130 micron)



### Disc or screen cartridge color

<span style="color: green;">■</span>	200 micron (75 mesh)
<span style="color: orange;">■</span>	100 micron (150 mesh)
<span style="color: red;">■</span>	130 micron (120 mesh)
<span style="color: blue;">■</span>	50 micron (300 mesh)

### TECHNICAL CHARACTERISTICS

Model	Max. flow, m³/h	Filtration surface	Max. pressure	Min. flow Backflush, l/s
		cm²	kg/cm²	
GLS403X8F	216	9120	10	6
GLS404X8F	288	12160	10	6
GLS405X10F	360	15200	10	6
GLS406X10F	432	18240	10	6
GLS407X12F	504	21280	10	6
GLS408X12F	576	24320	10	6
GLS409X14F	648	27360	10	6
GLS410X14F	720	30400	10	6
GLS411X14F	792	33440	10	6
GLS412X16F	864	36480	10	6

### MATERIALS

<b>Body</b>	Nylon with glass fiber
<b>Disc</b>	Polypropylene
<b>Sealing</b>	Stainless steel hoop with natural rubber
<b>Bracket parts</b>	Nylon with glass fiber
<b>Compress the piston</b>	Nylon with glass fiber with PTFE