

WAFER TYPE CHECK VALVE RSK

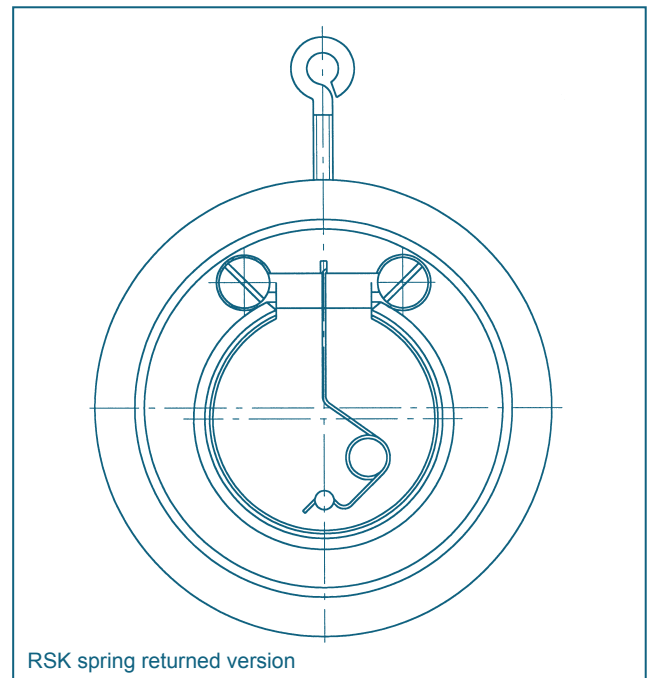


TECHNICAL DATA

Nominal diameter:	DN 32 - DN 600
Face-to-face:	Works standard
Flange accommodation:	EN 485 PN 10/16
Marking:	EN 19
Tightness check:	EN 12266 (Leakage Rate A) NBR, EPDM, FKM, PTFE EN 12266 (Leakage Rate G) metal sealing ISO 5208, Category 3 API 598 Table 5
Temperature range:	0°C to +200°C (depending on temperature, sealing and body material) NBR 90°C EPDM 120°C FPM 150°C PTFE 200°C
Pressure range:	max. 8 bar plastic version max. 16 bar metal version (depending on size and body material)

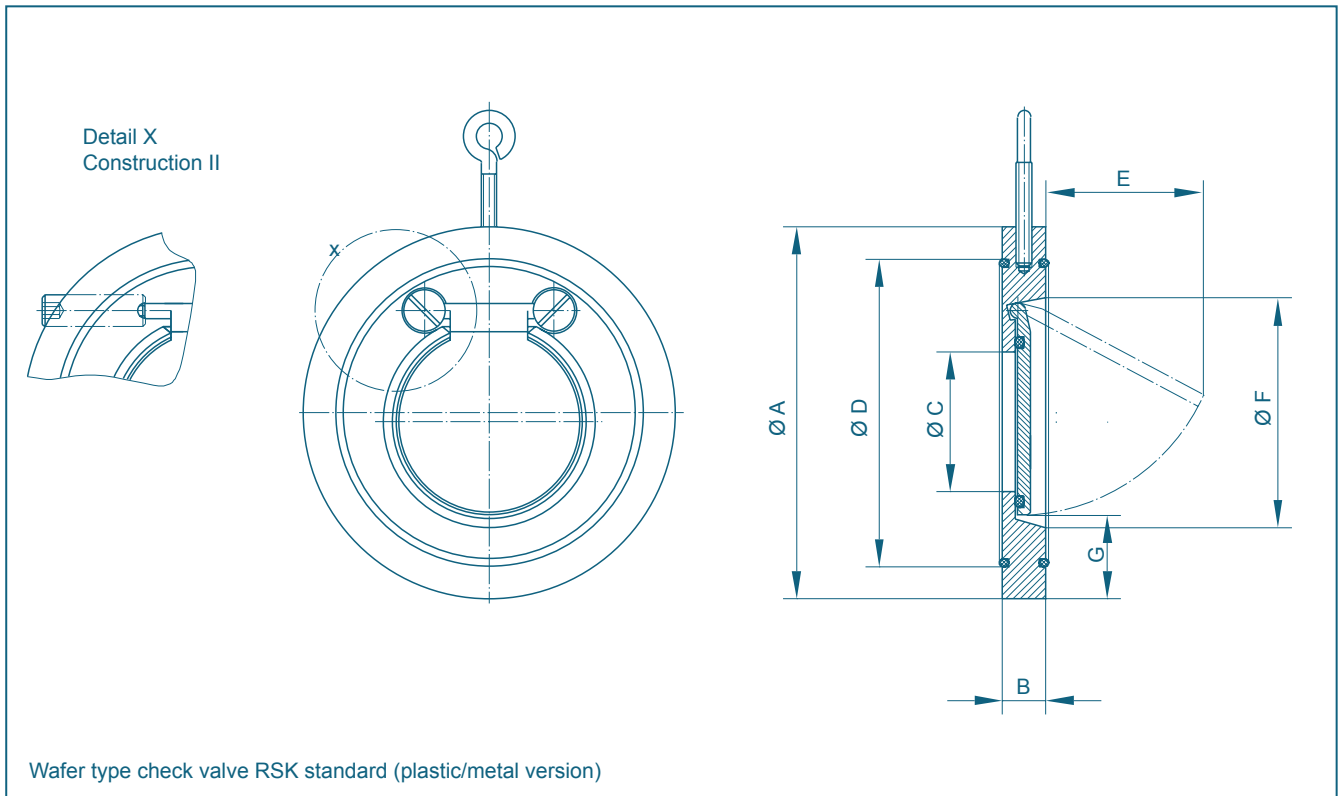
FEATURES

- Universal all-purpose
- Can be installed in any desired position
- Centering over the outside diameter of the body
- Sealing through O-rings
- Holder-eye for easy centering
- Extremely short face-to-face length
- Materials can be changed among each other
- All constructions are available in spring returned version
- For resonant flow conditions:
RSK with spring reset
- Maintenance-free - simple mounting



Subject to change without notice

WAFER TYPE CHECK VALVE RSK



DN	Size	Dimensions [mm]											Weight [kg]		
		A	Plastic		Metal without manual emergency switch		Metal with manual emergency switch		C	D	E	F	G	Plastic	Metal
B without spring	B with spring		B without spring	B with spring	B without spring	B with spring									
32	1¼	85	15	15	15	15	-	-	18	59	22	37	25	0,1	0,5
40	1½	95	16	16	16	16	-	-	22	72	25	43	28	0,1	0,8
50	2	109	18	18	17/14**	17/14**	19	19	32	86	37	54	29	0,2	1,0
65	2½	129	20	20	17/14**	17/14**	19	19	40	105/109*	50	70	29	0,2	1,4
80	3	144	20	20	17/14**	17/14**	20	20	54	119	61	82	29	0,3	1,8
100	4	164	23	23	21/18**	21/18**	23	23	70	146	77	106	31	0,4	2,9
125	5	195	23	23	18	22/18**	24	24	92	173	94/98*	131	35	0,5	3,9
150	6	220	26	26	20	26/20**	29	29	105	197	100/120*	159	35	0,7	4,6
200	8	275	34	34	22	29/22**	30	30	154	255	152/160*	207	38	1,4	5,0
250	10	330	40	40	26	36/26**	35	35	192	312	180/190*	260	41	2,4	13,0
300	12	380	45	45	32	43/32**	43	43	227	363	215/220*	309	41	3,5	23,0
350	14	440	49	49	38	47/38**	48	48	266	416	245/250*	341	54	5,1	33,5
400	16	491	65	65	44	53/44**	-	-	310	467	285/290*	392	55	7,3	52,0
450	18	541	68	78	52	-	-	-	350	520	330	443	58	-	-
500	20	596	78	87	58	68/58**	-	-	400	550	385/390*	493	60	-	94,0
600	24	698	97	97	62	-	-	-	486	659/660*	470	595	70	-	-

*metallic version

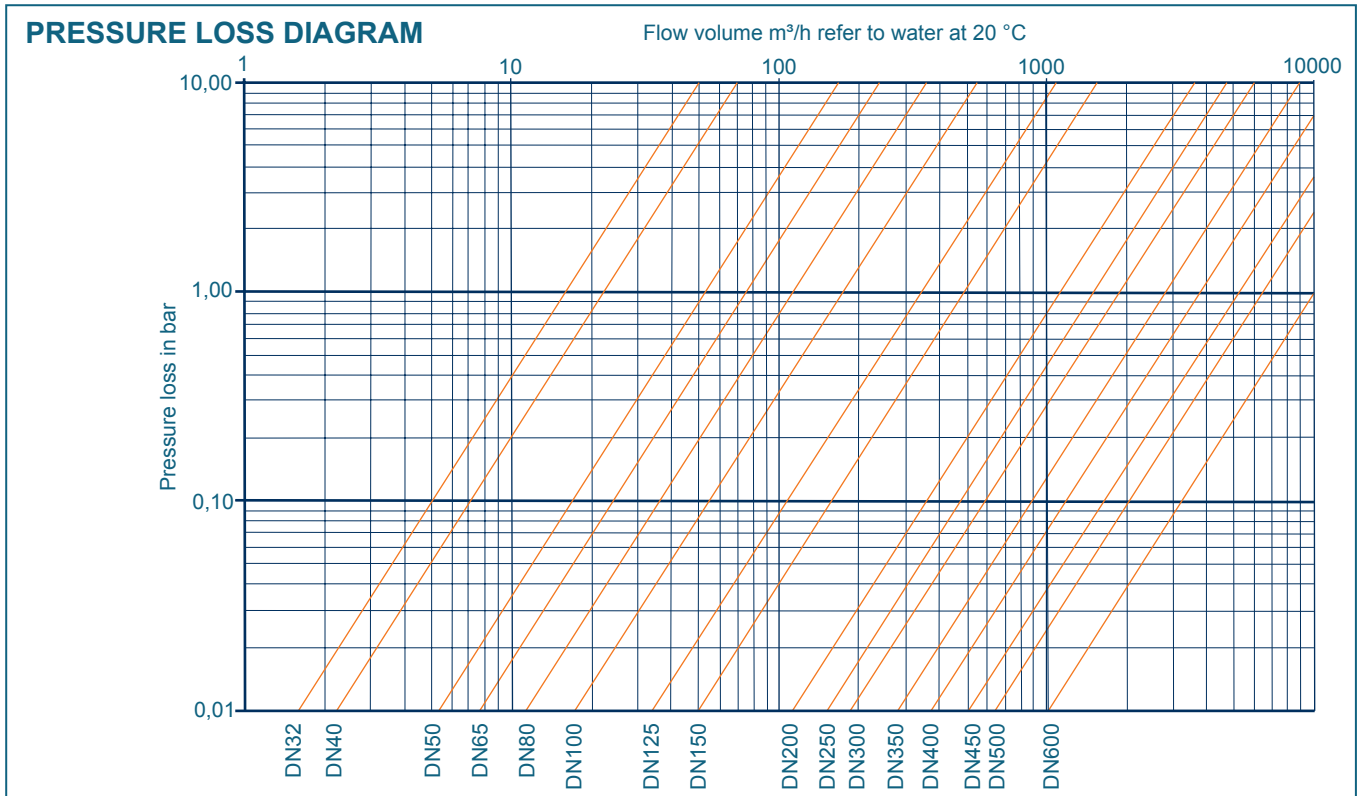
**versions with aluminum bronze body

Type	RSK 1	RSK 1.1	RSK 3	RSK 4	RSK 5	RSK 6	RSK 6.1
Body	Aluminium	Aluminium	1.4301	PVC	PP	1.4408	1.4571
Disc	1.4408	1.4571	1.4408	PVC	PP	1.4408	1.4571

Type	RSK 8	RSK 9	RSK 9.1	RSK 13	RSK 19	RSK 19.1	RSK 19.2
Body	PVDF	Steel, Nickel Plated	Steel, Nickel Plated	Hastelloy C4	Aluminum bronze 2.0975	Aluminum bronze 2.0975	Aluminum bronze 2.0975
Disc	PVDF	1.4408	1.4571	Hastelloy C4	Aluminum bronze 2.0975	1.4571	1.4408

Subject to change without notice

WAFER TYPE CHECK VALVE RSK



MIN. OPENING PRESSURE [mbar]

DN [mm]	Size [in]	K _V -values m ³ /h	PVC			Metal version				
			PP *without spring vert.*** mbar	PVDF	without spring hor.** m ³ /h	with spring hor.** mbar	without spring vert.*** mbar	with spring vert.*** mbar		
32	1¼	16,2	1	1	2	16,2	2	15	10	25
40	1½	22,2	1	1	2	22,2	2	15	10	25
50	2	54	2	1	2	54	2	15	10	25
65	2½	75	2	1	2	75	2	15	10	25
80	3	112	2	1	2	112	2	15	10	25
100	4	172	2	1	2	172	2	15	10	25
125	5	342	2	1	2	342	2	15	10	25
150	6	490	2	1	3	490	2	15	10	25
200	8	1128	2	2	3	1128	4	17	14	25
250	10	1500	3	2	3	1500	4	17	14	25
300	12	1914	3	2	3	2290	4	17	14	25
350	14	2800	3	3	4	2890	6	18	18	27
400	16	3700	4	3	4	3700	6	18	18	28
450	18	-	-	-	-	5000	6	18	18	28
500	20	6450	4	4	4	6550	6	18	24	34
600	24	-	-	-	-	9500	6	18	26	36

* The opening pressure with spring is about 20 mbar higher (Plastic version)

Subject to change without notice

** horizontal flow

*** vertical flow

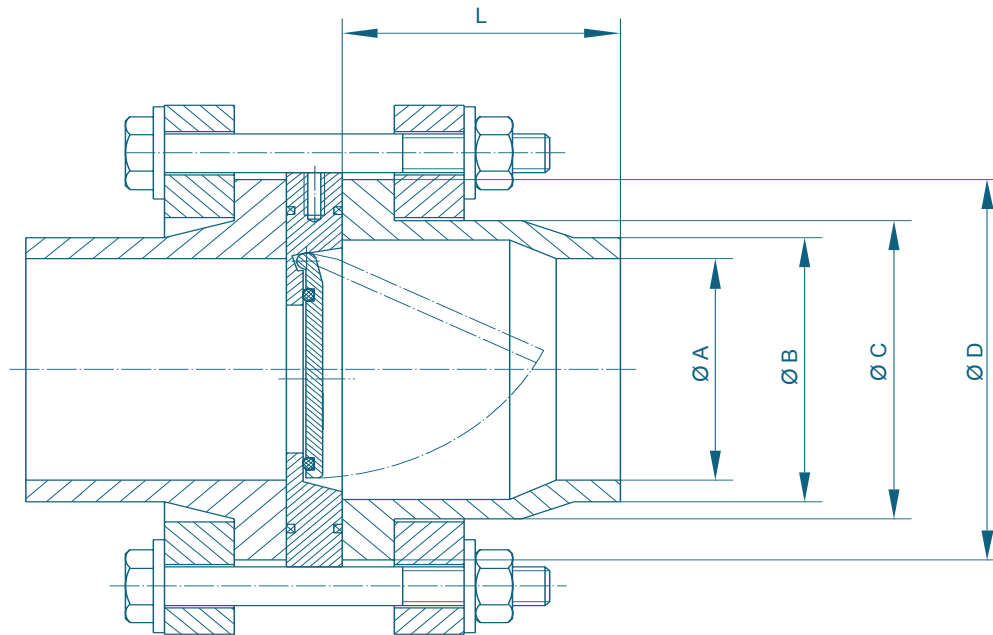
TIGHTNESS

A minimum back pressure of 0,3 bar is required to keep the swingcheck valves tight.

INSTALLATION

Installing the check valve on top of a pump please ensure that neither the valve is mounted directly on the pump flange or the following bend a smoothing section of less than 5xDN is observed.

WAFER TYPE CHECK VALVE RSK



Bend sleeve for RSK (PN 6 and PN10)

DN [mm]	Size [in]	Dimensions [mm]					
		A PN 6	A PN10	B	C	D	L
32	1¼	35	32	40	50	80	65
40	1½	43	41	50	61	90	68
50	2	54	51	63	77	105	74
65	2½	66	61	75	91	125	78
80	3	79	73	90	109	140	87
100	4	97/110	90/102	110	132	160	102
125	5	124	114	140	166	190	125
150	6	141/158	130/147	160/180	189	215	150
200	8	177/199	163/184	200/225	249	270	200
250	10	221/248	204/229	250/280	293	325	225
300	12	280	257	315	337	375	255
350	14	314	290	355	375	435	285
400	16	354	327	400	429	486	325

Subject to change without notice