

Type 8201

Electrolyte monitoring

Elektrolytüberwachung

Détecteur de niveau d'électrolyte

Operating Instructions

Bedienungsanleitung

Manuel utilisateur



We reserve the right to make technical changes without notice.
Technische Änderungen vorbehalten.
Sous réserve de modifications techniques.

© 2010-2012 Bürkert SAS

Operating Instructions 1202/1_EU-ML_562121_Original_EN

Electrolyte monitoring for Type 8201

Contents:

1. ABOUT THIS MANUAL	5
1.1. Symbols used.....	5
1.2. Definition of the term "device".....	5
2. INTENDED USE	6
2.1. Restraints.....	6
3. BASIC SAFETY INFORMATION	6
4. GENERAL INFORMATION	7
4.1. Manufacturer's address and international contacts.....	7
4.2. Warranty conditions.....	7
4.3. Information on the Internet.....	7
5. DESCRIPTION	8
5.1. Area of application.....	8
5.2. General description.....	8
5.2.1. Design.....	8
5.2.2. Measuring principle.....	8
5.3. Version available.....	9

6. TECHNICAL DATA	9
6.1. Conditions of use.....	9
6.2. Conformity to standards and directives.....	9
6.3. General technical data.....	9
6.3.1. Mechanical data.....	9
6.3.2. General data.....	10
6.3.3. Electrical data.....	10
6.3.4. Electrical connections.....	10
7. INSTALLATION AND WIRING	11
7.1. Safety instructions.....	11
7.2. Installation on the electrolyte hose.....	11
7.3. Electrical wiring.....	12
8. COMMISSIONING	13
8.1. Safety instructions.....	13
8.2. Commissioning.....	13
8.3. Running.....	13
9. TROUBLESHOOTING	14
9.1. Safety instructions.....	14

9.2. Disassembly of the electrolyte monitoring	14
9.3. In the event of problems.....	14
10. PACKAGING, TRANSPORT.....	15
11. STORAGE.....	15
12. DISPOSAL OF THE PRODUCT	15

1. ABOUT THIS MANUAL

This manual describes the entire life cycle of the device. Please keep this manual in a safe place, accessible to all users and any new owners.

This manual contains important safety information.

Failure to comply with these instructions can lead to hazardous situations.

- This manual must be read and understood.

1.1. Symbols used



DANGER

Warns you against an imminent danger.

- Failure to observe this warning can result in death or in serious injury.



WARNING

Warns you against a potentially dangerous situation.

- Failure to observe this warning can result in serious injury or even death.



CAUTION

Warns you against a possible risk.

- Failure to observe this warning can result in substantial or minor injuries.

NOTE

Warns you against material damage.

- Failure to observe this warning may result in damage to the device or system.



indicates additional information, advice or important recommendations for your safety and for the correct operation of the device.



refers to information contained in this manual or in other documents.

→ indicates a procedure to be carried out.

1.2. Definition of the term "device"

The term "device" used within the manual refers to the electrolyte monitoring type 8201.

2. INTENDED USE

Use of the electrolyte monitoring that does not comply with the instructions could present risks to people, nearby installations and the environment.

- The electrolyte monitoring is intended solely for the control of the level of electrolyte in the electrolyte bottle of pH sensor type 8201.
- Protect this device against electromagnetic interference, ultraviolet rays and, when installed outdoors, the effects of the climatic conditions.
- Use this device in compliance with the characteristics and commissioning and use conditions specified in the contractual documents and in the user manual.
- Requirements for safe and proper operation are proper transport, storage and installation as well as careful operation and maintenance.
- Only use the device as intended.

2.1. Restraints

Observe any existing restraints when the device is exported.

3. BASIC SAFETY INFORMATION

This safety information does not take into account:

- any contingencies or occurrences that may arise during assembly, use and maintenance of the devices.
- the local safety regulations that the operator must ensure the staff in charge of installation and maintenance observe.



Danger due to electrical voltage.

Danger due to the nature of the fluid.



Various dangerous situations

To avoid injury take care to:

- prevent any power supply switch-on.
- carry out installation and maintenance by qualified and skilled staff with the appropriate tools.
- guarantee a set or controlled restarting of the process, after a power supply interruption.
- use the device only if in perfect working order and in compliance with the instructions provided in the user manual.
- observe the general technical rules during the planning and use of the device.



Various dangerous situations

To avoid injury take care to:

- Not use the device in a potentially explosive atmosphere.
- Not use the device in an environment that is incompatible with the materials of which the electrolyte monitoring is made.
- Not make any external modifications to the device. Do not paint or varnish any part of the device.

NOTE

Elements / Components sensitive to electrostatic discharges

- This device contains electronic components sensitive to electrostatic discharges. They may be damaged if they are touched by an electrostatically charged person or object. In the worst case scenario, these components are instantly destroyed or go out of order as soon as they are activated.
- To minimise or even avoid all damage due to an electrostatic discharge, take all the precautions described in the EN 61340-5-1 and 5-2 norms.
- Also ensure that you do not touch any of the live electrical components.

4. GENERAL INFORMATION

4.1. Manufacturer's address and international contacts

To contact the manufacturer of the device, use following address:

Bürkert SAS

Rue du Giessen

BP 21

F-67220 TRIEMBACH-AU-VAL

The addresses of our international branches can be found on the last pages of this manual.

They can also be found on the Internet under: www.burkert.com

4.2. Warranty conditions

The condition governing the legal warranty is the conforming use of the device in observance of the operating conditions specified in this manual.

4.3. Information on the Internet

You can find the user manuals and technical data sheets regarding the type 8201 at: www.burkert.com

5. DESCRIPTION

5.1. Area of application

The electrolyte monitoring is intended to control the level of electrolyte in the electrolyte bottle of the pH sensor type 8201.

5.2. General description

5.2.1. Design

The electrolyte monitoring comprises (see Fig. 1):

- A sensor that contains two ultrasonic cells: an emitter and a receiver;
- A screw-on cover that maintains the flexible hose in the sensor;
- A 5-m cable fitted with a right-angle M12 plug, that contains one yellow and one green LEDs.

The electrolyte monitoring requires a power supply of 12-30 VDC and has a PNP output which can be connected to an alarm. The electrolyte monitoring is equipped with an M12 5-pin male fixed connector.

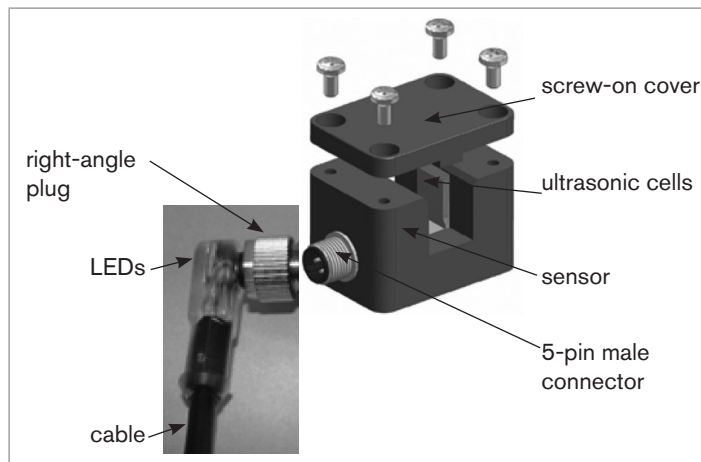


Fig. 1: Exploded view of the electrolyte monitoring

5.2.2. Measuring principle

The sensor contains two ultrasonic cells: an emitter and a receiver. The ultrasonic emitter transmits short high-frequency pulses. The ultrasonic receiver analyzes the signal received:

- If the hose is filled with liquid, a part of the ultrasound is transferred by the emitter through the hose to the receiver. The yellow LED is ON and the output is active.
- If the hose is empty or if there is a bubble, the part of the ultrasound received by the receiver is much lower. In that case, the yellow LED of the connector goes out to indicate an error and the

output is set to zero.

5.3. Version available

The following version of the electrolyte monitoring is available. This reference includes the ultrasonic module and a 5-meter long cable including a 5-pin M12 plug.

Supply voltage	Output	Electrical connection	Ordering code
12-30 VDC	PNP	M12, 5-pin male fixed connector	561533

6. TECHNICAL DATA

6.1. Conditions of use

Ambient temperature: +5 to +60°C (operating)

Protection rating: IP67

6.2. Conformity to standards and directives

The conformity of the device to the EC directives is fulfilled by the following standards:

- EMC: EN 61000-4-3, EN 61000-4-4, EN 61000-4-6, EN 55011

6.3. General technical data

6.3.1. Mechanical data

Component	Material
Sensor/Cover	POM
Ultrasonic Cell	PPMA
Mold of the plug	PUR
O-ring	FKM

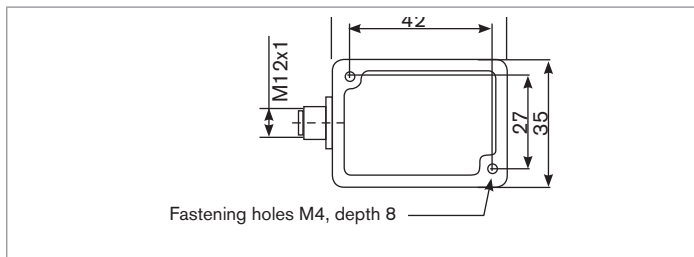


Fig. 2: Dimensions of the electrolyte monitoring, top view [mm]

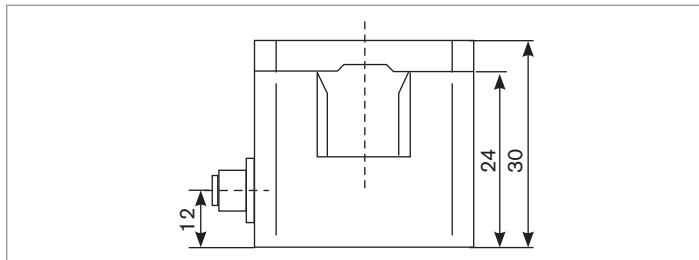


Fig. 3: Dimensions of the electrolyte monitoring, side view [mm]

6.3.2. General data

Hose	
Material	PTFE
Length	5 m max.
Outer diameter	3.0 to 8.5 mm
Optimal wall thickness	10 to 20% of outer diameter

6.3.3. Electrical data

Power supply	12-30 VDC, filtered and regulated, modulated max. 10%
Power	max. 50 mA (without switching current)
Current output	
<ul style="list-style-type: none"> Accuracy Response time 	<ul style="list-style-type: none"> $\pm 1\%$ (0,16 mA) ≤ 0.5 ms

6.3.4. Electrical connections

Version	Connection type
M12 5-pin male fixed connector	A 5-meter long cable equipped with a right-angle plug

7. INSTALLATION AND WIRING

7.1. Safety instructions



DANGER

Risk of injury due to electrical voltage

- Before starting work, make sure that you switch off the supply voltage and secure it to prevent restarting.
- Observe all applicable accident protection and safety guidelines for electrical equipment.



WARNING

Risk of injury due to non-conforming installation.

- The electrical and fluid installation can only be carried out by qualified and skilled staff with the appropriate tools.
- Respect the assembly instructions.

Risk of injury due to unintentional switch on of power supply or uncontrolled restarting of the installation.

- Take appropriate measures to avoid unintentional activation of the installation.
- Guarantee a set or controlled restarting of the process subsequent to the assembly of the device.

7.2. Installation on the electrolyte hose



DANGER

Risk of injury due to the nature of the fluid.

- Respect the regulations on accident prevention and safety relating to the use of aggressive fluids.

NOTE

The electrolyte monitoring may be irretrievably damaged if liquid is sprayed between the ultrasonic cells.

- Always install a dry hose in the electrolyte monitoring.

The electrolyte monitoring is installed on the electrolyte hose which joins the electrolyte vessel to the pH sensor type 8201.

→ Clamp the sensor on the electrolyte hose as close as possible to the output of the electrolyte vessel (see [Fig. 4](#)).



Fig. 4: Installation on the electrolyte hose

→ Screw the four screws of the cover onto the sensor in an alternating pattern.

7.3. Electrical wiring



DANGER

Risk of injury due to electrical voltage

- Before starting work, make sure that you switch off the supply voltage and secure it to prevent restarting.
- Observe all applicable accident protection and safety guidelines for electrical equipment.



- Use a high quality electrical power supply (filtered and regulated).
- Make sure the installation is equipotential.

→ Connect the wires of the cable (see Fig. 5).

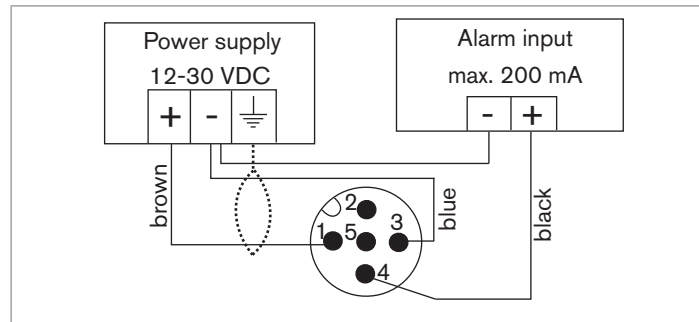


Fig. 5: Connection of the PNP output

→ If the cable is shielded, it should be grounded on the side of the controlling unit.

8. COMMISSIONING

8.1. Safety instructions



WARNING

Danger due to non conforming commissioning.

Non conforming commissioning could lead to injuries and damage the device and its surroundings.

- Before commissioning, make sure that the staff in charge have read and fully understood the contents of the manual.
- In particular, observe the safety recommendations and intended use.
- The device/installation must only be commissioned by suitably trained staff.



Protect this device against electromagnetic interference, ultraviolet rays and, when installed outdoors, the effects of the climatic conditions.

8.2. Commissioning

→ Plug the right-angle plug on the connector.

→ Tighten the plug nut.

The green LED of the connector lights up if the device is powered (see [Fig. 6](#)).

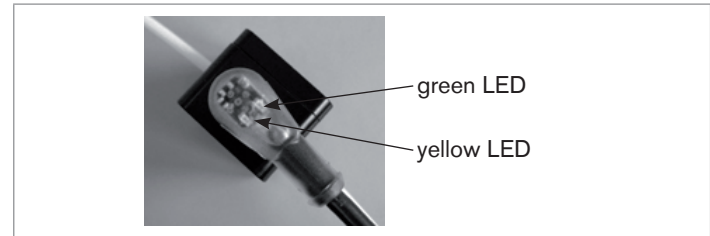


Fig. 6: Position of the LEDs in the connector

8.3. Running

In normal running:

- the green LED is lit to ensure that the device is powered
- the yellow LED is on as long as electrolyte is in the bottle.

If the yellow LED goes off, see [chap. 9.3](#).

9. TROUBLESHOOTING

9.1. Safety instructions



DANGER

Risk of injury due to electrical discharge.

- Shut down and isolate the electrical power source before carrying out work on the system.
- Observe all applicable accident protection and safety regulations for electrical equipment.

Risk of injury due to the nature of the fluid.

- Respect the prevailing regulations on accident prevention and safety relating to the use of aggressive fluids.



WARNING

Risk of injury due to non conforming maintenance.

- Maintenance must only be carried out by qualified and skilled staff with the appropriate tools.
- Ensure that the restart of the installation is controlled after any interventions.

NOTE

The pH measurement drifts if the reference electrode is lacking electrolyte.

- Replace the electrolyte bottle (see pH sensor type 8201 manual) as soon as possible.

9.2. Disassembly of the electrolyte monitoring



CAUTION

Risk of injury due to whipping of the electrolyte hose.

- Hold the electrolyte hose while disassembling the electrolyte monitoring.

→ Unscrew the four screws of the sensor cover.

→ Unclamp the sensor from the electrolyte hose.

9.3. In the event of problems

LEDs status	Meaning	Resolution
green LED is ON and yellow LED is OFF	Electrolyte bottle empty	<p>→ Verify level of the electrolyte bottle (see pH sensor type 8201 manual).</p> <p>→ Replace it if necessary (see pH sensor type 8201 manual).</p>
	Sensor defective	<p>→ If, despite presence of electrolyte in the electrolyte bottle, the fault persists, contact your Bürkert retailer.</p>

10. PACKAGING, TRANSPORT

NOTE

Damage due to transport

Transport may damage an insufficiently protected device.

- Transport the device in shock-resistant packaging and away from humidity and dirt.
- Do not expose the device to temperatures that may exceed the admissible storage temperature range.
- Protect the electrical interfaces using protective plugs.

11. STORAGE

NOTE

Poor storage can damage the device.

- Store the device in a dry place away from dust.
- Storage temperature -20 to +70°C.

12. DISPOSAL OF THE PRODUCT

→ Dispose of the device and its packaging in an environmentally-friendly way.

NOTE

Damage to the environment caused by products contaminated by fluids.

- Keep to the existing provisions on the subject of waste disposal and environmental protection.



Note:

Comply with the national and/or local regulations which concern the area of waste disposal.

Elektrolytüberwachung für Typ 8201

Inhaltsverzeichnis:

<p>1. DIE BEDIENUNGSANLEITUNG5</p> <p style="padding-left: 20px;">1.1. Darstellungsmittel5</p> <p style="padding-left: 20px;">1.2. Begriffsdefinition "Gerät"5</p> <p>2. BESTIMMUNGSGEMÄSSE VERWENDUNG.....6</p> <p style="padding-left: 20px;">2.1. Beschränkungen6</p> <p>3. GRUNDLEGENDE SICHERHEITSHINWEISE.....6</p> <p>4. ALLGEMEINE HINWEISE.....7</p> <p style="padding-left: 20px;">4.1. Herstelleradresse und internationale Kontaktadressen 7</p> <p style="padding-left: 20px;">4.2. Gewährleistung7</p> <p style="padding-left: 20px;">4.3. Informationen im Internet.....7</p> <p>5. BESCHREIBUNG.....8</p> <p style="padding-left: 20px;">5.1. Vorgesehener Einsatzbereich8</p> <p style="padding-left: 20px;">5.2. Allgemeine Beschreibung8</p> <p style="padding-left: 40px;">5.2.1. Aufbau.....8</p> <p style="padding-left: 40px;">5.2.2. Messprinzip.....8</p> <p style="padding-left: 20px;">5.3. Verfügbare Version9</p>	<p>6. TECHNISCHE DATEN9</p> <p style="padding-left: 20px;">6.1. Betriebsbedingungen9</p> <p style="padding-left: 20px;">6.2. Einhaltung von Normen und Richtlinien9</p> <p style="padding-left: 20px;">6.3. Allgemeine Technische Daten9</p> <p style="padding-left: 40px;">6.3.1. Mechanische Daten9</p> <p style="padding-left: 40px;">6.3.2. Allgemeine Daten10</p> <p style="padding-left: 40px;">6.3.3. Elektrische Daten10</p> <p style="padding-left: 40px;">6.3.4. Elektrische Anschlüsse10</p> <p>7. INSTALLATION UND VERKABELUNG11</p> <p style="padding-left: 20px;">7.1. Sicherheitshinweise11</p> <p style="padding-left: 20px;">7.2. Installation am Elektrolytschlauch.....11</p> <p style="padding-left: 20px;">7.3. Elektrischer Anschluss12</p> <p>8. INBETRIEBNAHME.....13</p> <p style="padding-left: 20px;">8.1. Sicherheitshinweise13</p> <p style="padding-left: 20px;">8.2. Inbetriebnahme.....13</p> <p style="padding-left: 20px;">8.3. Betrieb13</p> <p>9. PROBLEMLÖSUNG14</p> <p style="padding-left: 20px;">9.1. Sicherheitshinweise14</p>
---	---

9.2. Demontage der Elektrolytüberwachung.....	14
9.3. Störungsbehebung	15
10. VERPACKUNG, TRANSPORT	15
11. ENTSORGUNG.....	16

1. DIE BEDIENUNGSANLEITUNG

Die Bedienungsanleitung beschreibt den gesamten Lebenszyklus des Gerätes. Bewahren Sie diese Anleitung so auf, dass sie für jeden Benutzer zugänglich ist und jedem neuen Eigentümer des Gerätes wieder zur Verfügung steht.

Die Bedienungsanleitung enthält wichtige Informationen zur Sicherheit!

Das Nichtbeachten dieser Hinweise kann zu gefährlichen Situationen führen.

- Die Bedienungsanleitung muss gelesen und verstanden werden.

1.1. Darstellungsmittel



GEFAHR!

Warnt vor einer unmittelbaren Gefahr!

- Bei Nichteinhaltung sind Tod oder schwere Verletzungen die Folge.



WARNUNG!

Warnt vor einer möglicherweise gefährlichen Situation!

- Bei Nichteinhaltung drohen schwere Verletzungen oder auch der Tod.



VORSICHT!

Warnt vor einer möglichen Gefährdung!

- Nichtbeachtung kann mittelschwere oder leichte Verletzungen zur Folge haben.

HINWEIS!

Warnt vor Sachschäden!

- Bei Nichtbeachtung kann das Gerät oder die Anlage beschädigt werden.



bezeichnet wichtige Zusatzinformationen, Tipps und Empfehlungen, die für Ihre Sicherheit und die einwandfreie Funktion des Gerätes wichtig sind.



verweist auf Informationen in dieser Bedienungsanleitung oder in anderen Dokumentationen.

→ markiert einen Arbeitsschritt, den Sie ausführen müssen.

1.2. Begriffsdefinition "Gerät"

Der in dieser Anleitung verwendete Begriff "Gerät" steht immer für die Elektrolytüberwachung Typ 8201.

2. BESTIMMUNGSGEMÄSSE VERWENDUNG

Bei nicht bestimmungsgemäßem Einsatz der Elektrolytüberwachung können Gefahren für Personen, Anlagen in der Umgebung und die Umwelt entstehen.

- Die Elektrolytüberwachung dient ausschliesslich der Kontrolle des Elektrolytgehalts in der Elektrolytflasche des pH-Sensors Typ 8201.
- Schützen Sie das Gerät vor elektromagnetischen Störungen, U.V.-Bestrahlung und bei Außenanwendung vor Witterungseinflüssen.
- Für den Einsatz sind die in den Vertragsdokumenten und der Bedienungsanleitung spezifizierten zulässigen Daten, Betriebs- und Einsatzbedingungen zu beachten.
- Voraussetzungen für den sicheren und einwandfreien Betrieb sind sachgemäßer Transport, sachgemäße Lagerung und Installation sowie sorgfältige Bedienung und Instandhaltung.
- Setzen Sie das Gerät nur bestimmungsgemäß ein.

2.1. Beschränkungen

Beachten Sie bei der Ausfuhr des Gerätes gegebenenfalls bestehende Beschränkungen.

3. GRUNDLEGENDE SICHERHEITSHINWEISE

Diese Sicherheitshinweise berücksichtigen keine:

- Zufälligkeiten und Ereignisse, die bei Montage, Betrieb und Wartung der Geräte auftreten können.
- Ortsbezogene Sicherheitsbestimmungen, für deren Einhaltung, auch in Bezug auf das Installations- und Wartungspersonal, der Betreiber verantwortlich ist.



Gefahr durch elektrische Spannung!

Gefahr aufgrund der Art der Flüssigkeit!



Allgemeine Gefahrensituationen.

Zum Schutz vor Verletzungen ist zu beachten:

- Dass die Anlage nicht unbeabsichtigt betätigt werden kann.
- Installations- und Instandhaltungsarbeiten dürfen nur von autorisiertem Fachpersonal mit geeignetem Werkzeug durchgeführt werden.
- Nach einer Unterbrechung der elektrischen Versorgung ist ein definierter oder kontrollierter Wiederanlauf des Prozesses zu gewährleisten.
- Betreiben Sie das Gerät nur in einwandfreiem Zustand und unter Beachtung der Bedienungsanleitung.
- Bei der Einsatzplanung und dem Betrieb des Gerätes die allgemeinen Regeln der Technik einhalten.



Allgemeine Gefahrensituationen.

Zum Schutz vor Verletzungen ist zu beachten:

- Dieses Gerät nicht in explosionsgefährdeten Bereichen einsetzen.
- Dieses Gerät nicht in einer Umgebung verwenden, die mit den Werkstoffen, aus denen es besteht, inkompatibel ist.
- Nehmen Sie keine äußerlichen Veränderungen an den Gerätegehäusen vor. Lackieren Sie keinen Teil des Geräts.

HINWEIS!

Elektrostatisch gefährdete Bauelemente / Baugruppen!

- Das Gerät enthält elektronische Bauelemente, die gegen elektrostatische Entladung (ESD) empfindlich reagieren. Berührung mit elektrostatisch aufgeladenen Personen oder Gegenständen gefährdet diese Bauelemente. Im schlimmsten Fall werden sie sofort zerstört oder fallen nach der Inbetriebnahme aus.
- Beachten Sie die Anforderungen nach EN 61340-5-1 und 5-2, um die Möglichkeit eines Schadens durch schlagartige elektrostatische Entladung zu minimieren bzw. zu vermeiden!
- Achten Sie ebenso darauf, dass Sie elektronische Bauelemente nicht bei anliegender Versorgungsspannung berühren!

4. ALLGEMEINE HINWEISE

4.1. Herstelleradresse und internationale Kontaktadressen

Sie können mit dem Hersteller des Gerätes unter folgender Adresse Kontakt aufnehmen:

Bürkert SAS
Rue du Giessen
BP 21

67220 TRIEMBACH-AU-VAL

Die Kontaktadressen finden Sie auf den letzten Seiten dieser Bedienungsanleitung.

Außerdem im Internet unter: www.burkert.com

4.2. Gewährleistung

Voraussetzung für die Gewährleistung ist der bestimmungsgemäße Gebrauch des Gerätes unter Beachtung der im vorliegenden Handbuch spezifizierten Einsatzbedingungen.

4.3. Informationen im Internet

Bedienungsanleitungen und Datenblätter zum Typ 8201 finden Sie im Internet unter: www.buerkert.de

5. BESCHREIBUNG

5.1. Vorgesehener Einsatzbereich

Die Elektrolytüberwachung ist für die Kontrolle des Elektrolytinhalts in der Elektrolytflasche des pH-Sensors Typ 8201 vorgesehen.

5.2. Allgemeine Beschreibung

5.2.1. Aufbau

Zur Elektrolytüberwachung gehören (siehe [Bild 1](#)):

- Ein Sensor, der zwei Ultraschallzellen enthält, einen Sender und einen Empfänger;
- Ein Deckel mit 4 Schrauben, der den Schlauch im Sensor hält;
- Ein 5 m langes Kabel mit einer abgewinkelten M12-Buchse, die eine gelbe und eine grüne Leuchtdiode besitzt.

Die Elektrolytüberwachung erfordert eine 12-30 VDC Stromversorgung und hat einen PNP-Ausgang, der als Alarmausgang genutzt werden kann. Die Elektrolytüberwachung ist mit einem 5-poligen M12-Gerätestecker ausgestattet.

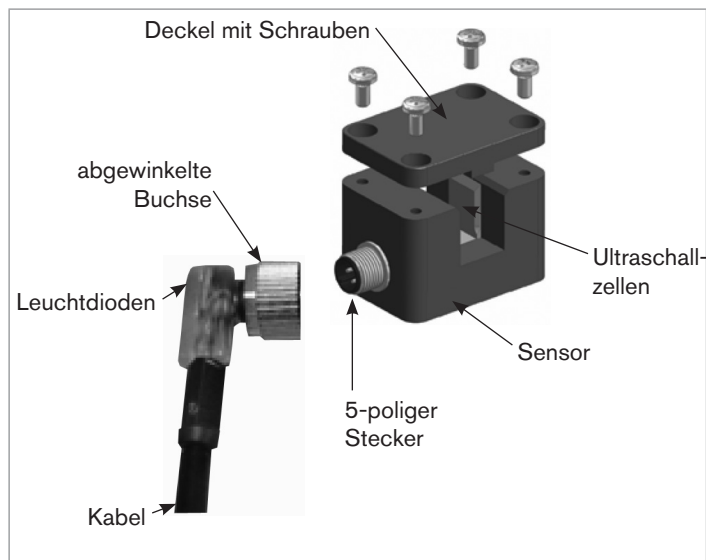


Bild 1: Explosionszeichnung der Elektrolytüberwachung

5.2.2. Messprinzip

Der Sensor enthält zwei Ultraschallzellen, einen Sender und einen Empfänger. Der Ultraschallsender sendet kurze, hochfrequente Impulse. Der Ultraschallempfänger analysiert das empfangene Signal:

- Wenn der Schlauch mit Flüssigkeit gefüllt ist, wird ein Teil des Ultraschalls vom Sender durch den Schlauch zum Empfänger

übertragen. Die gelbe Leuchtdiode leuchtet und der Ausgang ist aktiv.

- Wenn der Schlauch leer ist oder eine Gasblase enthält, ist der Anteil des vom Empfänger empfangenen Ultraschalls viel geringer. Die gelbe Leuchtdiode ist aus und der Ausgang ist gleich Null.

5.3. Verfügbare Version

Die folgende Version der Elektrolytüberwachung ist erhältlich. Diese Referenz umfasst das Ultraschallmodul und ein 5 Meter langes Kabel mit einer 5-poligen M12-Buchse.

Versorgungs- spannung	Ausgang	Elektrischer Anschluss	Bestellnummer
12-30 VDC	PNP	5-poliger M12- Stecker, starr	561533

6. TECHNISCHE DATEN

6.1. Betriebsbedingungen

Umgebungstemperatur: +5 bis +60 °C (Betrieb)

Schutzart: IP67

6.2. Einhaltung von Normen und Richtlinien

Durch folgende Normen wird die Konformität mit den EG-Richtlinien erfüllt:

- EMC: EN 61000-4-3, EN 61000-4-4, EN 61000-4-6, EN 55011

6.3. Allgemeine Technische Daten

6.3.1. Mechanische Daten

Element	Werkstoff
Sensor/Deckel	POM
Ultraschallzelle	PPMA
Steckergehäuse	PUR
O-ring	FKM

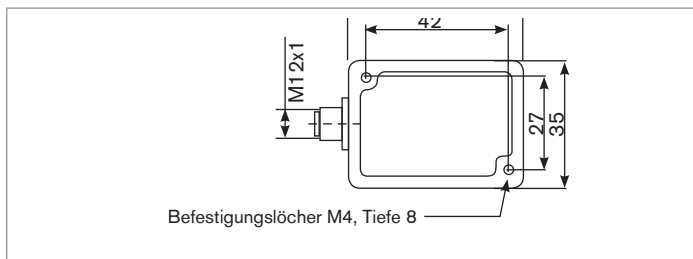


Bild 2: Abmessungen der Elektrolytüberwachung, Draufsicht [mm]

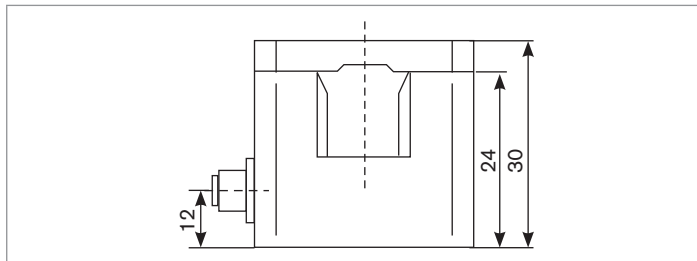


Bild 3: Abmessungen der Elektrolytüberwachung, Seitenansicht [mm]

6.3.2. Allgemeine Daten

Schlauch	
▪ Werkstoff	▪ PTFE
▪ Länge	▪ max. 5 m
▪ Außendurchmesser	▪ 3,0 bis 8,5 mm
▪ Optimale Wanddicke	▪ 10 bis 20 % des Außendurchmessers

6.3.3. Elektrische Daten

Stromversorgung	12-30 VDC, gefiltert und geregelt, Modulation max. 10 %
Stromaufnahme	max. 50 mA (ohne Schaltstrom)
Stromausgang	
▪ Genauigkeit	▪ $\pm 1\%$ (0,16 mA)
▪ Reaktionszeit	▪ ≤ 0.5 ms

6.3.4. Elektrische Anschlüsse

Version	Anschlusstyp
5-poliger M12-Stecker	Ein 5 Meter langes Kabel mit rechteckiger Buchse

7. INSTALLATION UND VERKABELUNG

7.1. Sicherheitshinweise



GEFAHR!

Verletzungsgefahr durch Stromschlag!

- Schalten Sie vor Beginn der Arbeiten in jedem Fall die Spannung ab und sichern Sie diese vor Wiedereinschalten!
- Beachten Sie die Unfallverhütungs- und Sicherheitsbestimmungen für elektrische Geräte!



WARNUNG!

Verletzungsgefahr bei unsachgemäßer Installation!

- Fluidische und elektrische Installationen dürfen nur durch autorisiertes Fachpersonal und mit geeignetem Werkzeug durchgeführt werden!
- Beachten Sie die Montageanweisungen des verwendeten Fittings.

Verletzungsgefahr durch ungewolltes Einschalten der Anlage und unkontrollierten Wiederanlauf!

- Anlage vor unbeabsichtigtem Betätigen sichern.
- Nach der Installation einen kontrollierten Wiederanlauf gewährleisten.

7.2. Installation am Elektrolytschlauch



GEFAHR!

Verletzungsgefahr aufgrund der Art der Flüssigkeit.

- Beachten Sie die Regeln, die auf dem Gebiet der Unfallverhütung und der Sicherheit in Kraft sind und die sich auf die Verwendung aggressiver Flüssigkeiten beziehen.

HINWEIS!

Die Elektrolytüberwachung kann irreversibel beschädigt werden, wenn Flüssigkeit zwischen die Ultraschallzellen gelangt.

- Immer einen trockenen Schlauch in der Elektrolytüberwachung installieren.

Die Elektrolytüberwachung wird an dem Elektrolytschlauch installiert, der den Elektrolytbehälter mit dem pH-Sensor Typ 8201 verbindet.

→ Den Sensor so an den Elektrolytschlauch klemmen, dass er sich so dicht wie möglich am Auslass des Elektrolytbehälters befindet (siehe [Bild 4](#)).



Bild 4: Installation am Elektrolytschlauch

→ Die vier Schrauben des Deckels über Kreuz an den Sensorschrauben.

7.3. Elektrischer Anschluss



GEFAHR!

Verletzungsgefahr durch Stromschlag!

- Schalten Sie vor Beginn der Arbeiten in jedem Fall die Spannung ab und sichern Sie diese vor Wiedereinschalten!
- Beachten Sie geltende Unfallverhütungs- und Sicherheitsbestimmungen für elektrische Geräte!



- **Verwenden Sie eine hochwertige (gefilterte und geregelte) Stromversorgung.**
- **Den Potentialausgleich der Installation gewährleisten.**

→ Die Leiter des Kabels anschließen (siehe Bild 5).

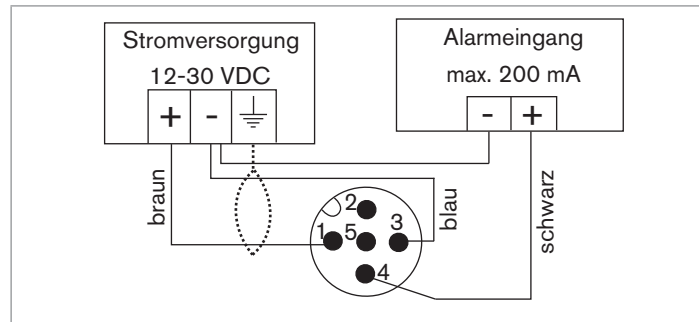


Bild 5: Anschluss des PNP-Ausgangs

→ Falls es sich um ein abgeschirmtes Kabel handelt, sollte es auf der Seite der Steuereinheit geerdet werden.

8. INBETRIEBNAHME

8.1. Sicherheitshinweise



WARNUNG!

Verletzungsgefahr bei unsachgemäßer Inbetriebnahme!

Nicht sachgemäßer Betrieb kann zu Verletzungen sowie Schäden am Gerät und seiner Umgebung führen.

- Vor der Inbetriebnahme muss gewährleistet sein, dass der Inhalt der Bedienungsanleitung dem Bedienungspersonal bekannt ist und vollständig verstanden wurde.
- Besonders zu beachten sind die Sicherheitshinweise und die bestimmungsgemäße Verwendung.
- Das Gerät/die Anlage darf nur durch ausreichend geschultes Personal in Betrieb genommen werden.

HINWEIS!

Gefahr der Beschädigung des Geräts durch die Umgebung!

- Schützen Sie das Gerät vor elektromagnetischen Störungen, U.V.-Bestrahlung und bei Außenanwendung vor Witterungseinflüssen.

8.2. Inbetriebnahme

- Die rechtwinklige Steckbuchse an den Gerätestecker stecken.
- Die Überwurfmutter festziehen.

Die grüne Leuchtdiode der Buchse leuchtet auf, wenn das Gerät mit Strom versorgt wird (siehe [Bild 6](#)).

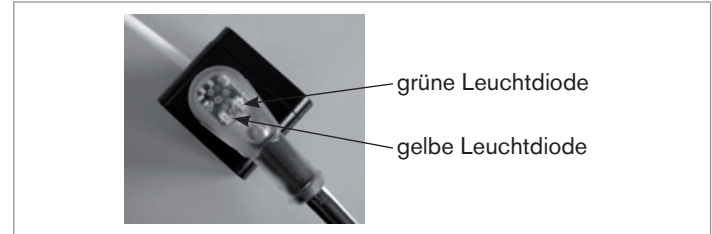


Bild 6: Position der Leuchtdioden in der Buchse

8.3. Betrieb

Im Normalbetrieb:

- Die grüne Leuchtdiode leuchtet, um sicherzustellen, dass das Gerät mit Strom versorgt ist.
- Die gelbe Leuchtdiode leuchtet, solange Elektrolyt in der Flasche ist.

Wenn die gelbe Leuchtdiode aus ist: Siehe Kap. [9.3](#).

9. PROBLEMLÖSUNG

9.1. Sicherheitshinweise



GEFAHR!

Verletzungsgefahr durch Stromschlag!

- Schalten Sie vor Beginn der Arbeiten in jedem Fall die Spannung ab, und sichern Sie diese vor Wiedereinschalten!
- Beachten Sie geltende Unfallverhütungs- und Sicherheitsbestimmungen für elektrische Geräte!

Verletzungsgefahr aufgrund der Art der Flüssigkeit.

- Beachten Sie die Regeln, die auf dem Gebiet der Unfallverhütung und der Sicherheit in Kraft sind und die sich auf die Verwendung aggressiver Flüssigkeiten beziehen.



WARNUNG!

Gefahr durch unsachgemäße Wartungsarbeiten!

- Wartungsarbeiten dürfen nur durch autorisiertes Fachpersonal und mit geeignetem Werkzeug durchgeführt werden!
- Nach jedem Eingriff an der Anlage einen kontrollierten Wiederanlauf gewährleisten.

HINWEIS!

Die pH-Messwerte verschieben sich, wenn die Referenzelektrode zu wenig Elektrolyt hat.

- Ersetzen Sie die Elektrolytflasche (siehe Bedienungsanleitung des pH-Sensors Typ 8201) so bald wie möglich.

9.2. Demontage der Elektrolytüberwachung



VORSICHT!

Verletzungsgefahr durch peitschenden Elektrolytschlauch.

- Halten Sie den Elektrolytschlauch fest, während die Elektrolytüberwachung demontiert wird.

→ Lösen Sie die vier Schrauben des Sensordeckels.

→ Ziehen Sie den Sensor vom Elektrolytschlauch ab.

9.3. Störungsbehebung

Status der Leuchtdioden	Bedeutung	Maßnahme
grüne Leuchtdiode leuchtet und gelbe Leuchtdiode ist aus	Elektrolytflasche leer	<p>→ Füllstand der Elektrolytflasche überprüfen (siehe Bedienungsanleitung des pH-Sensors Typ 8201).</p> <p>→ Ersetzen, falls erforderlich (siehe Bedienungsanleitung des pH-Sensors Typ 8201).</p>
	Sensor defekt	→ Falls der Fehler trotz Vorhandensein von Elektrolyt in der Elektrolytflasche bestehen bleibt, kontaktieren Sie bitte Ihren Bürkert Händler.

10. VERPACKUNG, TRANSPORT

VORSICHT!

Transportschäden!

Ein unzureichend geschütztes Gerät kann durch den Transport beschädigt werden.

- Transportieren Sie das Gerät vor Nässe und Schmutz geschützt in einer stoßfesten Verpackung.
- Das Gerät keinen Temperaturen außerhalb des zulässigen Temperaturbereichs für die Lagerung aussetzen.
- Verschließen Sie die elektrischen Schnittstellen mit Schutzkappen vor Beschädigungen.

11. LAGERUNG

VORSICHT!

Falsche Lagerung kann Schäden am Gerät verursachen!

- Lagern Sie das Gerät trocken und staubfrei!
- Lagerungstemperatur: -20 bis +70 °C.

12. ENTSORGUNG

→ Entsorgen Sie das Gerät und die Verpackung umweltgerecht.

VORSICHT!

Umweltschäden durch Teile, die durch Flüssigkeiten kontaminiert wurden!

- Geltende Entsorgungsvorschriften und Umweltbestimmungen einhalten!



Hinweis:

Beachten Sie die nationalen Abfallbeseitigungsvorschriften.

Détecteur de niveau d'électrolyte pour le Type 8201

Sommaire :

1. A PROPOS DE CE MANUEL	5
1.1. Symboles utilisés.....	5
1.2. Définition du terme „appareil“	5
2. UTILISATION CONFORME	6
2.1. Restrictions	6
3. CONSIGNES DE SÉCURITÉ DE BASE	6
4. INFORMATIONS GÉNÉRALES	7
4.1. Adresse du fabricant et contacts internationaux.....	7
4.2. Conditions de garantie.....	7
4.3. Informations sur internet	7
5. DESCRIPTION	8
5.1. Secteur d'application	8
5.2. Description générale.....	8
5.2.1. Construction.....	8
5.2.2. Principe de mesure.....	8
5.3. Version disponible.....	9

6. CARACTÉRISTIQUES TECHNIQUES	9
6.1. Conditions d'utilisation.....	9
6.2. Conformité aux normes.....	9
6.3. Caractéristiques techniques générales	9
6.3.1. Caractéristiques mécaniques.....	9
6.3.2. Caractéristiques générales.....	10
6.3.3. Caractéristiques électriques.....	10
6.3.4. Raccordements électriques.....	10
7. INSTALLATION ET CÂBLAGE ÉLECTRIQUE	11
7.1. Consignes de sécurité	11
7.2. Installation sur le tube flexible	11
7.3. Câblage électrique	12
8. MISE EN SERVICE	13
8.1. Consignes de sécurité	13
8.2. Mise en service	13
8.3. Fonctionnement.....	13
9. MAINTENANCE ET DÉPANNAGE	14
9.1. Consignes de sécurité	14

9.2. Démontez le détecteur de niveau	14
9.3. En cas de problème	15
10. EMBALLAGE ET TRANSPORT	15
11. ELIMINATION DE L'APPAREIL.....	16

1. A PROPOS DE CE MANUEL

Ce manuel décrit le cycle de vie complet de l'appareil. Conservez-le de sorte qu'il soit accessible à tout utilisateur et à disposition de tout nouveau propriétaire.

Ce manuel contient des informations importantes relatives à la sécurité.

Le non-respect de ces consignes peut entraîner des situations dangereuses.

- Ce manuel doit être lu et compris.

1.1. Symboles utilisés



DANGER

Met en garde contre un danger imminent.

- Son non-respect peut entraîner la mort ou de graves blessures.



AVERTISSEMENT

Met en garde contre une situation éventuellement dangereuse.

- Son non-respect peut entraîner de graves blessures, voire la mort.



ATTENTION

Met en garde contre un risque éventuel.

- Son non-respect peut entraîner des blessures légères ou de gravité moyenne.

REMARQUE

Met en garde contre des dommages matériels.

- Son non-respect peut entraîner des dommages sur l'appareil ou l'installation.



désigne des informations supplémentaires, des conseils ou des recommandations importants pour votre sécurité et le fonctionnement parfait de l'appareil.



renvoie à des informations contenues dans ce manuel ou dans d'autres documents.

→ indique une opération à effectuer.

1.2. Définition du terme „appareil“

→ Dans ce manuel d'utilisation, le terme „appareil“ désigne toujours le détecteur du niveau d'électrolyte Type 8201.

2. UTILISATION CONFORME

L'utilisation non conforme du détecteur de niveau d'électrolyte peut présenter des dangers pour les personnes, les installations proches et l'environnement.

- Le détecteur de niveau d'électrolyte est destiné au contrôle du niveau du réservoir d'électrolyte du capteur de pH type 8201.
- Protéger cet appareil contre les perturbations électromagnétiques, les rayons ultraviolets et, lorsqu'il est installé à l'extérieur, des effets des conditions climatiques.
- Utiliser cet appareil conformément aux caractéristiques et conditions de mise en service et d'utilisation indiquées dans les documents contractuels et dans le manuel utilisateur.
- L'utilisation en toute sécurité et sans problème de l'appareil repose sur un transport, un stockage et une installation corrects ainsi que sur une utilisation et une maintenance effectuées avec soin.
- Veiller à toujours utiliser cet appareil de façon conforme.

2.1. Restrictions

Respecter les restrictions éventuelles lorsque l'appareil est exporté.

3. CONSIGNES DE SÉCURITÉ DE BASE

Ces consignes de sécurité ne tiennent pas compte :

- des imprévus pouvant survenir lors de l'assemblage, de l'utilisation et de l'entretien des appareils.
- des prescriptions de sécurité locales que l'exploitant est tenu de faire respecter par le personnel chargé de l'assemblage et de l'entretien.



Danger dû à la tension électrique.

Danger dû à la nature du fluide.



Situations dangereuses diverses

Pour éviter toute blessure, veiller à :

- empêcher toute mise sous tension involontaire de l'installation.
- ce que les travaux d'installation et de maintenance soient effectués par du personnel qualifié et habilité, disposant des outils appropriés.
- garantir un redémarrage défini et contrôlé du process, après une coupure de l'alimentation électrique.
- n'utiliser l'appareil qu'en parfait état et en tenant compte des indications du manuel utilisateur.
- respecter les règles générales de la technique lors de la planification et de l'utilisation de l'appareil.

**Situations dangereuses diverses**

Pour éviter toute blessure, veiller à :

- Ne pas utiliser cet appareil dans une atmosphère explosible.
- Ne pas utiliser cet appareil dans un environnement incompatible avec les matériaux qui le composent.
- N'apporter aucune modification extérieure au corps. Ne peindre ni laquer aucune partie de l'appareil.

REMARQUE**Éléments / Composants sensibles aux décharges électrostatiques**

- Cet appareil contient des composants électroniques sensibles aux décharges électrostatiques. Ils peuvent être endommagés lorsqu'ils sont touchés par une personne ou un objet chargé électrostatiquement. Dans le pire des cas, ils sont détruits instantanément ou tombent en panne sitôt effectuée la mise en route.
- Pour réduire au minimum voire éviter tout dommage dû à une décharge électrostatique, prenez toutes les précautions décrites dans les normes EN 61340-5-1 et 5-2.
- Veiller également à ne pas toucher les composants électriques sous tension.

4. INFORMATIONS GÉNÉRALES**4.1. Adresse du fabricant et contacts internationaux**

Le fabricant de l'appareil peut être contacté à l'adresse suivante :

Bürkert SAS

Rue du Giessen

BP 21

67220 TRIEMBACH-AU-VAL

Les adresses des filiales internationales sont disponibles sur internet sous : www.burkert.com

4.2. Conditions de garantie

La condition pour bénéficier de la garantie légale est l'utilisation conforme du détecteur de niveau d'électrolyte type 8201 dans le respect des conditions d'utilisation spécifiées dans le présent manuel utilisateur.

4.3. Informations sur internet

Retrouvez sur internet les manuels utilisateur et les fiches techniques relatifs au type 8201 sous : www.burkert.fr

5. DESCRIPTION

5.1. Secteur d'application

Le détecteur de niveau d'électrolyte est destiné au contrôle du niveau du réservoir d'électrolyte du capteur de pH type 8201.

5.2. Description générale

5.2.1. Construction

Le détecteur de niveau d'électrolyte se compose :

- d'un capteur qui contient deux cellules à ultrasons : un émetteur et un récepteur ;
- d'un couvercle à vis qui maintient le flexible dans le capteur ;
- d'un câble de 5 m équipé d'un connecteur coudé M12, qui contient un voyant jaune et un voyant vert.

Le détecteur de niveau d'électrolyte nécessite une alimentation de 12-30 VDC et possède une sortie PNP qui peut être connectée à un système d'alarme.

Le détecteur de niveau d'électrolyte est équipé d'une embase M12 mâle à 5 broches.

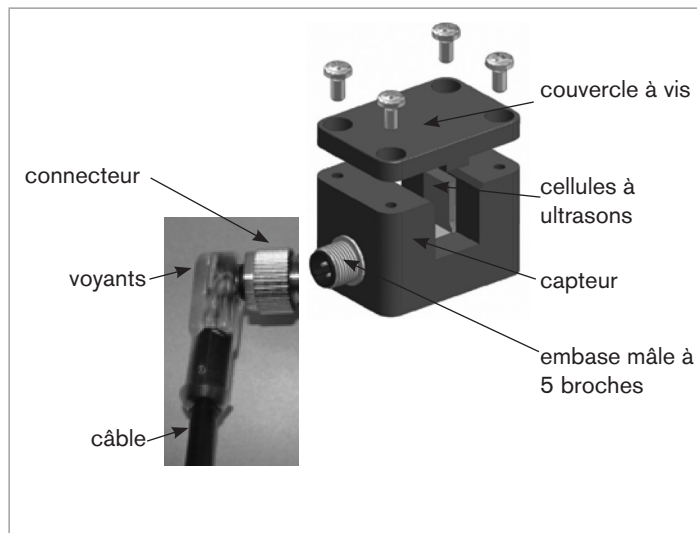


Fig. 1 : Vue éclatée du détecteur de niveau

5.2.2. Principe de mesure

Le capteur contient deux cellules à ultrasons : un émetteur et un récepteur. L'émetteur émet de brèves impulsions haute-fréquence. Le récepteur analyse le signal reçu :

- Si le tube flexible est rempli de liquide, une portion d'ultrasons est transmis de l'émetteur au récepteur à travers le flexible. Le voyant jaune est allumé et la sortie est active.

- Si le tube flexible est vide ou s'il contient une bulle, la quantité d'ultrasons reçue par le récepteur est plus faible. Le voyant est éteint et la sortie est à zéro.

5.3. Version disponible

La version suivante du détecteur de niveau d'électrolyte est disponible. Cette référence comprend le module à ultrasons et le câble de 5m équipé d'un connecteur coudé femelle M12 à 5 broches.

Tension d'alimentation	Sortie	Raccordement électrique	Référence de commande
12-30 VDC	PNP	embase M12 mâle à 5 broches	561533

6. CARACTÉRISTIQUES TECHNIQUES

6.1. Conditions d'utilisation

Température ambiante : +5...+60 °C (en fonctionnement)

Indice de protection : IP67

6.2. Conformité aux normes

La conformité de l'appareil aux directives CE est respectée par les normes suivantes :

- CEM : EN 61000-4-3, EN 61000-4-4, EN 61000-4-6, EN 55011

6.3. Caractéristiques techniques générales

6.3.1. Caractéristiques mécaniques

Élément	Matériau
Capteur / couvercle	POM
Cellules à ultrasons	PPMA
Moulage du connecteur	PUR
Joint du connecteur femelle	FKM

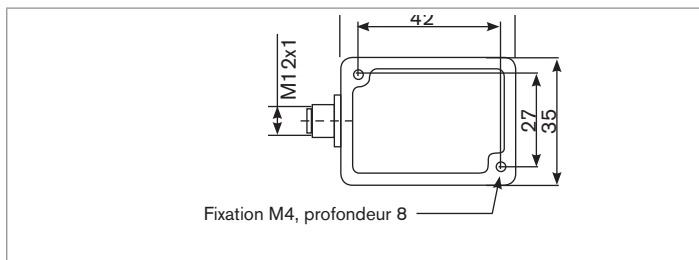


Fig. 2 : Dimensions du détecteur de niveau d'électrolyte, vue de dessus [mm].

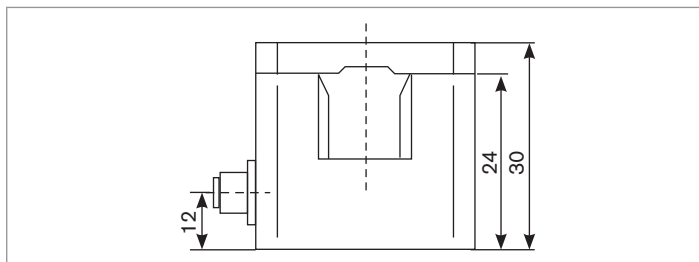


Fig. 3 : Dimensions du détecteur de niveau d'électrolyte, vue de profil [mm]

6.3.2. Caractéristiques générales

Tube flexible	
▪ Matériau	▪ PTFE
▪ Longueur	▪ 5m. max.
▪ Diamètre externe	▪ 3.0...8.5 mm
▪ Epaisseur optimale de paroi	▪ 10 à 20 % du diamètre externe

6.3.3. Caractéristiques électriques

Alimentation	12-30 VDC, filtrée et régulée, modulation max. 10%
Courant max.	50 mA (sans courant d'interruption)
Sortie courant	
▪ Précision	▪ $\pm 1\%$ (0,16 mA)
▪ Temps de réponse (10%-90%)	▪ ≤ 0.5 ms

6.3.4. Raccordements électriques

Version	Type de raccordement
Embase M12 mâle à 5 broches	Câble de 5 m équipé d'un connecteur femelle M12

7. INSTALLATION ET CÂBLAGE ÉLECTRIQUE

7.1. Consignes de sécurité



DANGER

Risque de blessure par décharge électrique.

- Couper et consigner l'alimentation électrique avant d'intervenir sur l'installation.
- Respecter la réglementation en vigueur en matière de prévention des accidents et de sécurité relative aux appareils électriques.



AVERTISSEMENT

Risque de blessure dû à une installation non conforme.

- L'installation électrique et fluide ne peut être effectuée que par du personnel habilité et qualifié, disposant des outils appropriés.
- Respecter les consignes de montage du raccord utilisé.

Risque de blessure dû à une mise sous tension involontaire de l'installation et à un redémarrage incontrôlé.

- Protéger l'installation contre toute mise sous tension involontaire.
- Garantir un redémarrage contrôlé de l'installation, après assemblage de l'appareil.

7.2. Installation sur le tube flexible



DANGER

Risque de blessure dû à la nature du fluide.

- Respecter la réglementation en vigueur en matière de prévention des accidents et de sécurité relative à l'utilisation de fluides agressifs.

REMARQUE

Le détecteur de niveau peut être endommagé irrémédiablement si du liquide est projeté sur ou entre les cellules à ultrasons.

- **Toujours installer un tube flexible sec dans le détecteur de niveau d'électrolyte.**

Le détecteur de niveau d'électrolyte est installé sur le tube flexible qui relie le réservoir d'électrolyte au capteur de pH type 8201.

→ Fixer le capteur sur le tube flexible aussi près que possible de la sortie du réservoir d'électrolyte (voir [Fig. 4](#)).

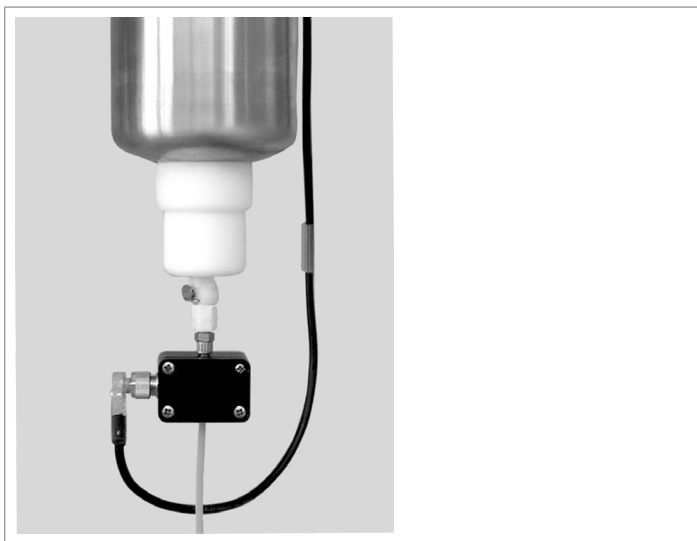


Fig. 4 : Installation du détecteur de niveau d'électrolyte sur le tube flexible.

→ Visser en croix les quatre vis du couvercle sur le capteur.

7.3. Câblage électrique



DANGER

Risque de blessure par décharge électrique

- Couper et consigner l'alimentation électrique avant d'intervenir sur l'installation.
- Respecter la réglementation en vigueur en matière de prévention des accidents et de sécurité relative aux appareils électriques.



- Utiliser une alimentation électrique de qualité (filtrée et régulée).
- Garantir l'équipotentialité de l'installation.

→ Connecter les fils du câble (voir Fig. 5).

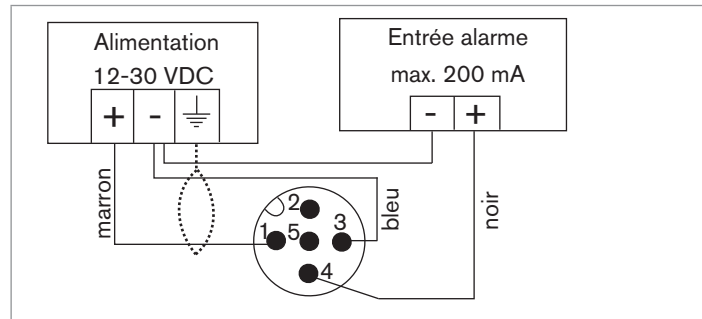


Fig. 5 : Raccordement de la sortie PNP

→ Si le câble est blindé, relier le blindage à la terre de l'alimentation (voir Fig. 5).

8. MISE EN SERVICE

8.1. Consignes de sécurité



AVERTISSEMENT

Risque de blessure dû à une mise en service non conforme.

La mise en service non conforme peut entraîner des blessures et endommager l'appareil et son environnement.

- S'assurer, avant la mise en service, que le personnel qui en est chargé a lu et parfaitement compris le contenu de ce manuel.
- Respecter en particulier les consignes de sécurité et l'utilisation conforme.
- L'appareil / l'installation ne doit être mis(e) en service que par du personnel suffisamment formé.



Protéger l'appareil contre les perturbations électromagnétiques, les rayons ultraviolets et, lorsqu'il est installé à l'extérieur, des effets des conditions climatiques.

8.2. Mise en service

→ Brancher le connecteur du câble sur l'embase.

→ Visser l'écrou du connecteur du câble.

Le voyant vert s'allume si l'appareil est alimenté (voir [Fig. 6](#)).

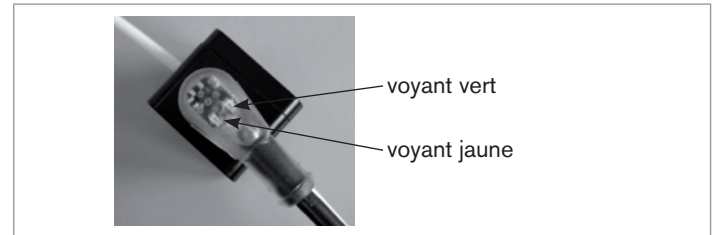


Fig. 6 : *Emplacement des voyants du connecteur*

8.3. Fonctionnement

En fonctionnement normal :

- le voyant vert est allumé pour garantir que l'appareil est alimenté ;
- le voyant jaune est allumé lorsque le réservoir contient de l'électrolyte.

Si le voyant jaune est éteint, voir chap. [9.3](#).

9. MAINTENANCE ET DÉPANNAGE

9.1. Consignes de sécurité



DANGER

Risque de blessure par décharge électrique.

- Couper et consigner l'alimentation électrique avant d'intervenir sur l'installation.
- Respecter la réglementation en vigueur en matière de prévention des accidents et de sécurité relative aux appareils électriques.

Risque de blessure dû à la nature du fluide.

- Respecter la réglementation en vigueur en matière de prévention des accidents et de sécurité relative à l'utilisation de fluides agressifs.



AVERTISSEMENT

Danger dû à une maintenance non conforme.

- Ces travaux doivent être effectués uniquement par du personnel qualifié et habilité, disposant des outils appropriés.
- Après toute coupure de l'alimentation électrique, garantir un redémarrage défini ou contrôlé du process.

REMARQUE

La mesure du pH dérive si l'électrode de référence manque d'électrolyte.

- Remplacer le réservoir d'électrolyte (voir manuel du capteur de pH type 8201) aussi vite que possible.

9.2. Démontez le détecteur de niveau



ATTENTION

Risque de blessure dû à un coup de fouet du tube flexible.

- Maintenir le tube flexible pendant le démontage du détecteur de niveau d'électrolyte.

→ Dévisser les quatre vis du couvercle du capteur.

→ Désolidariser le capteur du tube flexible.

9.3. En cas de problème

Etat des voyants lumineux	Signification	Résolution
voyant vert allumé et voyant jaune éteint	Réservoir d'électrolyte vide	<p>→ Vérifier le niveau du réservoir d'électrolyte (voir manuel du capteur de pH type 8201).</p> <p>→ Remplacer le réservoir si nécessaire (voir manuel capteur de pH type 8201).</p>
	Capteur défectueux	→ Si malgré la présence d'électrolyte dans le réservoir, le défaut persiste, contacter votre revendeur Bürkert.

10. EMBALLAGE ET TRANSPORT

REMARQUE

Dommages dus au transport

Le transport peut endommager un appareil insuffisamment protégé.

- Transporter l'appareil dans un emballage résistant aux chocs, à l'abri de l'humidité et des impuretés.
- Eviter les effets de la chaleur et du froid pouvant entraîner le dépassement de la plage de température de stockage.
- Protéger les interfaces électriques à l'aide de bouchons de protection.

11. STOCKAGE

REMARQUE

Un mauvais stockage peut endommager l'appareil.

- Stocker l'appareil dans un endroit sec et à l'abri de la poussière.
- Température de stockage -20 à +70 °C.

12. ELIMINATION DE L'APPAREIL

→ Eliminer l'appareil et l'emballage dans le respect de l'environnement.

REMARQUE

Dommmages à l'environnement causés par des pièces contaminées par des fluides.

- Respecter les prescriptions en vigueur en matière d'élimination des déchets et de protection de l'environnement.



Remarque

Respecter les prescriptions nationales en matière d'élimination des déchets .

www.burkert.com