

Operating Instructions



**LEVEL TRANSMITTER
8136**

4 ... 20 mA/HART - two-wire

Contents

Status: RL (released freigegeben) printed: 22.09.2017 Version: C ML 1000102666 MAN	1 About this document		
	1.1	Function	4
	1.2	Target group	4
	1.3	Symbols used.....	4
	2 For your safety		
	2.1	Authorised personnel	5
	2.2	Appropriate use.....	5
	2.3	Warning about incorrect use.....	5
	2.4	General safety instructions	5
	2.5	CE conformity.....	6
	2.6	NAMUR recommendations	6
	2.7	Radio license for Europe	6
	2.8	Radio license for USA/Canada.....	6
	3 Product description		
	3.1	Configuration.....	7
3.2	Principle of operation.....	8	
3.3	Packaging, transport and storage.....	8	
3.4	Accessories and replacement parts	9	
4 Mounting			
4.1	General instructions	10	
4.2	Collar or adapter flange	10	
4.3	Mounting preparations, mounting strap	11	
4.4	Mounting instructions	12	
4.5	Measurement setup - Pipes	18	
4.6	Measurement setup - Flow	23	
5 Connecting to power supply			
5.1	Preparing the connection	25	
5.2	Connecting.....	26	
5.3	Wiring plan	27	
5.4	Switch-on phase.....	27	
6 Set up with the display and adjustment module			
6.1	Insert display and adjustment module	29	
6.2	Adjustment system	30	
6.3	Parameter adjustment	30	
6.4	Saving the parameter adjustment data.....	44	
7 Setup with PACTware			
7.1	Connect the PC.....	45	
7.2	Parameter adjustment with PACTware.....	45	
7.3	Saving the parameter adjustment data.....	45	
8 Set up with other systems			
8.1	DD adjustment programs	46	
8.2	Communicator 375, 475.....	46	
9 Diagnosis, asset management and service			
9.1	Maintenance	47	
9.2	Diagnosis memory	47	

MAN 1000102666 ML Version: C Status: RL (released | freigegeben) | printed: 2017-09-20

9.3	Asset Management function.....	48
9.4	Rectify faults.....	51
9.5	Exchanging the electronics module.....	55
9.6	How to proceed if a repair is needed	55
10	Dismount	
10.1	Dismounting steps.....	56
10.2	Disposal	56
11	Supplement	
11.1	Technical data	57
11.2	Dimensions	63



Safety instructions for Ex areas

Take note of the Ex specific safety instructions for Ex applications. These instructions are attached as documents to each instrument with Ex approval and are part of the operating instructions manual.

Editing status: 2014-12-02

1 About this document

1.1 Function

This operating instructions manual provides all the information you need for mounting, connection and setup as well as important instructions for maintenance and fault rectification. Please read this information before putting the instrument into operation and keep this manual accessible in the immediate vicinity of the device.

1.2 Target group

This operating instructions manual is directed to trained specialist personnel. The contents of this manual should be made available to these personnel and put into practice by them.

1.3 Symbols used



Information, tip, note

This symbol indicates helpful additional information.



Caution: If this warning is ignored, faults or malfunctions can result.



Warning: If this warning is ignored, injury to persons and/or serious damage to the instrument can result.



Danger: If this warning is ignored, serious injury to persons and/or destruction of the instrument can result.



Ex applications

This symbol indicates special instructions for Ex applications.



List

The dot set in front indicates a list with no implied sequence.



Action

This arrow indicates a single action.



Sequence of actions

Numbers set in front indicate successive steps in a procedure.



Battery disposal

This symbol indicates special information about the disposal of batteries and accumulators.

2 For your safety

2.1 Authorised personnel

All operations described in this operating instructions manual must be carried out only by trained specialist personnel authorised by the plant operator.

During work on and with the device the required personal protective equipment must always be worn.

2.2 Appropriate use

LEVEL TRANSMITTER 8136 is a sensor for continuous level measurement.

You can find detailed information about the area of application in chapter "*Product description*".

Operational reliability is ensured only if the instrument is properly used according to the specifications in the operating instructions manual as well as possible supplementary instructions.

2.3 Warning about incorrect use

Inappropriate or incorrect use of the instrument can give rise to application-specific hazards, e.g. vessel overflow or damage to system components through incorrect mounting or adjustment.

2.4 General safety instructions

This is a state-of-the-art instrument complying with all prevailing regulations and guidelines. The instrument must only be operated in a technically flawless and reliable condition. The operator is responsible for the trouble-free operation of the instrument.

During the entire duration of use, the user is obliged to determine the compliance of the necessary occupational safety measures with the current valid rules and regulations and also take note of new regulations.

The safety instructions in this operating instructions manual, the national installation standards as well as the valid safety regulations and accident prevention rules must be observed by the user.

For safety and warranty reasons, any invasive work on the device beyond that described in the operating instructions manual may be carried out only by personnel authorised by the manufacturer. Arbitrary conversions or modifications are explicitly forbidden.

The safety approval markings and safety tips on the device must also be observed.

Depending on the instrument version, the emitting frequencies are in the C, K or W band range. The low emitting frequencies are far below the internationally approved limit values. When used correctly, there is no danger to health.

2.5 CE conformity

The device fulfills the legal requirements of the applicable EC guidelines. By affixing the CE marking, we confirm successful testing of the product.

2.6 NAMUR recommendations

NAMUR is the automation technology user association in the process industry in Germany. The published NAMUR recommendations are accepted as the standard in field instrumentation.

The device fulfills the requirements of the following NAMUR recommendations:

- NE 21 – Electromagnetic compatibility of equipment
- NE 43 – Signal level for malfunction information from measuring transducers
- NE 53 – Compatibility of field devices and display/adjustment components
- NE 107 – Self-monitoring and diagnosis of field devices

For further information see www.namur.de.

2.7 Radio license for Europe

The instrument is approved according to EN 302372-1/2 (2006-04) for use in closed vessels.

2.8 Radio license for USA/Canada

The instrument is in conformity with part 15 of the FCC regulations. Take note of the following two regulations:

- The instrument must not cause any interfering emissions
- The device must be insensitive to interfering immissions, including those that may cause undesirable operating conditions

Modifications not expressly approved by the manufacturer will lead to expiry of the operating licence according to FCC/IC.

The instrument is in conformity with RSS-210 of the IC regulations.

The instrument may only be used in closed vessels made of metal, concrete, or fibre-reinforced plastic.

3 Product description

3.1 Configuration

The type label contains the most important data for identification and use of the instrument:

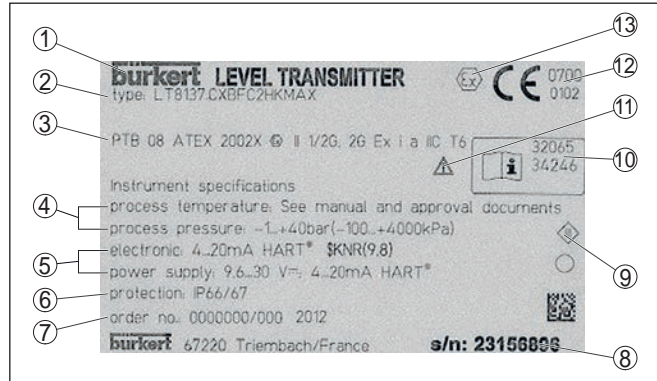


Fig. 1: Layout of the type label (example)

- 1 Instrument type
- 2 Product code
- 3 Approvals
- 4 Process and ambient temperature, process pressure
- 5 Signal output electronics, voltage supply
- 6 Protection rating
- 7 Order number
- 8 Serial number of the instrument
- 9 Symbol of the device protection class
- 10 ID numbers, instrument documentation
- 11 Reminder to observe the instrument documentation
- 12 Notified authority for CE marking
- 13 Approval directive

Scope of this operating instructions manual

This operating instructions manual applies to the following instrument versions:

- Hardware version from 2.1.0
- Software version from 4.5.1

Scope of delivery

The scope of delivery encompasses:

- Radar sensor
- Documentation
 - this operating instructions manual
 - Test certificate measuring accuracy (optional)
 - Operating instructions manual "Display and adjustment module" (optional)
 - Supplementary instructions "GSM/GPRS radio module" (optional)
 - Supplementary instructions manual "Heating for display and adjustment module" (optional)

- Supplementary instructions manual "*Plug connector for continuously measuring sensors*" (optional)
- Ex-specific "*Safety instructions*" (with Ex versions)
- if necessary, further certificates

- DVD "*Software & Documents*", containing
 - Operating instructions
 - Safety instructions
 - PACTware/DTM-Collection
 - Driver software

Application area

3.2 Principle of operation

The LEVEL TRANSMITTER 8136 is a radar sensor for continuous level measurement of liquids under simple process conditions.

Dependent on the application range, different versions are used:

- Level measurement of aggressive liquids in small vessels: **encapsulated antenna system**
- Flow measurement in open flumes or gauge measurement of bodies of water: **Plastic horn antenna**
- Products with an ϵ_r value ≥ 1.8 : **Standard electronics**
- Products with an ϵ_r value ≥ 1.5 , < 1.8 ; applications with very poor reflective properties: **Electronics with increased sensitivity**

The actual values that can be reached depend on the measurement conditions, the antenna system or the standpipe or bypass.

Functional principle

The antenna of the radar sensor emits short radar pulses with a duration of approx. 1 ns. These pulses are reflected by the product and received by the antenna as echoes. The transit time of the radar pulses from emission to reception is proportional to the distance and hence to the level. The determined level is converted into an appropriate output signal and outputted as measured value.

Packaging

3.3 Packaging, transport and storage

Your instrument was protected by packaging during transport. Its capacity to handle normal loads during transport is assured by a test based on ISO 4180.

The packaging of standard instruments consists of environment-friendly, recyclable cardboard. For special versions, PE foam or PE foil is also used. Dispose of the packaging material via specialised recycling companies.

Transport

Transport must be carried out in due consideration of the notes on the transport packaging. Nonobservance of these instructions can cause damage to the device.

Transport inspection

The delivery must be checked for completeness and possible transit damage immediately at receipt. Ascertained transit damage or concealed defects must be appropriately dealt with.

Storage

Up to the time of installation, the packages must be left closed and stored according to the orientation and storage markings on the outside.

Unless otherwise indicated, the packages must be stored only under the following conditions:

- Not in the open
- Dry and dust free
- Not exposed to corrosive media
- Protected against solar radiation
- Avoiding mechanical shock and vibration
- Storage and transport temperature see chapter "*Supplement - Technical data - Ambient conditions*"
- Relative humidity 20 ... 85 %

Storage and transport temperature

Display and adjustment module

The display and adjustment module is used for measured value indication, adjustment and diagnosis. It can be inserted into the sensor and removed at any time.

You can find further information in the operating instructions "*Display and adjustment module*" (Document-ID 41787).

Electronics module

The electronics module is a replacement part of the LEVEL TRANSMITTER series. An own version is available for each type of signal output.

You can find further information in the operating instructions "*Electronics module LEVEL TRANSMITTER 813X*" (Document-ID 41786).

4 Mounting

4.1 General instructions

On instruments with process fitting thread, the hexagon must be tightened with a suitable wrench. For the proper wrench size see chapter "Dimensions".



Warning:

The housing must not be used to screw the instrument in! Applying tightening force can damage internal parts of the housing.

Screwing in
MAN 1000102669 | Version: C Status: RL (released | frage geben) | printed: 22.09.2017

Protection against moisture

Protect your instrument against moisture ingress through the following measures:

- Use the recommended cable (see chapter "Connecting to power supply")
- Tighten the cable gland
- When mounting horizontally, turn the housing so that the cable gland points downward
- Loop the connection cable downward in front of the cable gland

This applies particularly to:

- Outdoor mounting
- Installations in areas where high humidity is expected (e.g. through cleaning processes)
- Installations on cooled or heated vessels

Stability for the process conditions

Make sure that all parts of the instrument exposed to the process are suitable for the existing process conditions.

These are mainly:

- Active measuring component
- Process fitting
- Process seal

Process conditions are particularly:

- Process pressure
- Process temperature
- Chemical properties of the medium
- Abrasion and mechanical influences

You can find detailed information on the process conditions in chapter "Technical data" as well as on the type label.

4.2 Collar or adapter flange

For mounting the instrument on a socket, a combi compression flange for DN 80 (ASME 3" or JIS 80) is also available for retro fitting. Optionally, the instrument can be also equipped with an adapter flange from DN 100 (ASME 4" or JIS 100).

With the housing versions plastic, aluminium single chamber and stainless steel, the collar flange can be placed directly over the housing. With the aluminium double chamber housing, retroactive mount-

ing in this way is not possible - the mounting type must be specified with the order.

You can find drawings of these mounting options in chapter "Dimensions".

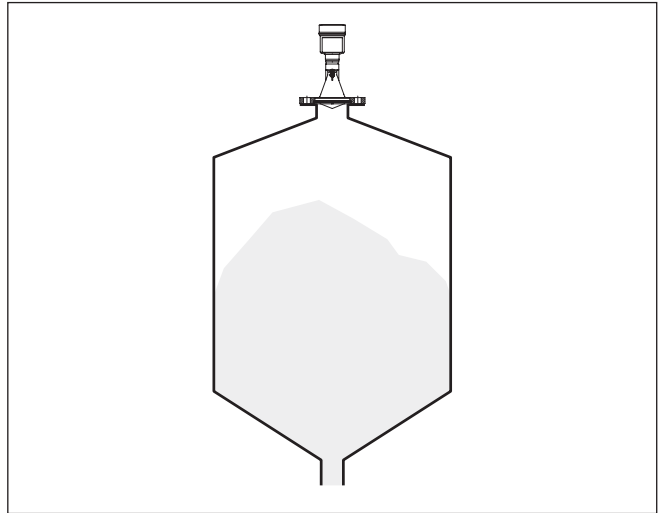


Fig. 2: Flange mounting of the radar sensor

4.3 Mounting preparations, mounting strap

The mounting strap enables simple mounting on the vessel wall or silo top. It is suitable for wall, ceiling or boom mounting. Especially in open vessels this is a very easy and effective way to align the sensor to the bulk solid surface.

The strap is supplied unassembled and must be screwed to the sensor before setup with three hexagon socket screws M5 x 10 and spring washers. Max. torque, see chapter "Technical data". Required tools: Allen wrench size 4.

There are two ways to screw the strap onto the sensor. Depending on the selected version, the sensors can be swivelled in the strap as follows:

- Single chamber housing
 - Angle of inclination 180°, infinitely variable
 - Angle of inclination in three steps 0°, 90° and 180°
- Double chamber housing
 - Angle of inclination 90°, infinitely variable
 - Angle of inclination in two steps 0° and 90°

MAN 1000 1000 1000 ML Version: C Status: RL (released | freigegeben) printed: 22.09.2017

Tight installation of the plastic horn antenna

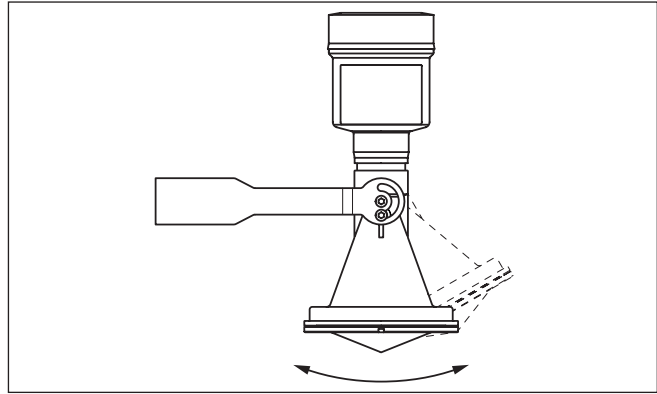


Fig. 3: Adjustment of the angle of inclination

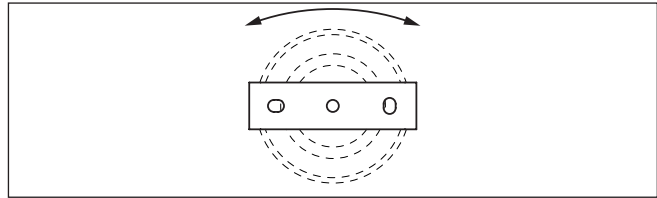


Fig. 4: Turning by fastening in the centre

4.4 Mounting instructions

For tight installation of the version with plastic horn antenna with compression or adapter flange, the following conditions must be fulfilled:

1. Use suitable flat seal, e.g. of EPDM with Shore hardness 25 or 50
2. Make sure the number of flange screws corresponds to the number of flange holes
3. Tighten all screws with the torque stated in the technical data

Polarisation

The emitted radar impulses of the radar sensor are electromagnetic waves. The polarisation is the direction of the electrical wave component. By turning the instrument in the connection flange or mounting boss, the polarisation can be used to reduce the effects of false echoes.

The position of the polarisation is marked on the process fitting of the instrument.

41783-EN-141205

Installation position

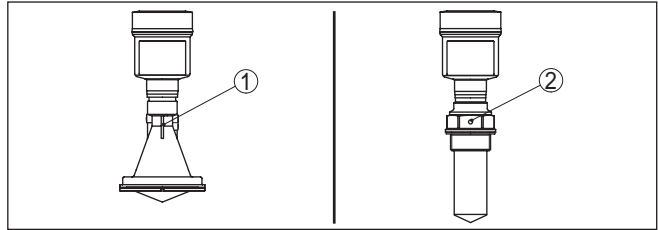


Fig. 5: Position of the polarisation

- 1 Marking with version with plastic horn antenna
- 2 Marking with version with encapsulated antenna system

When mounting the sensor, keep a distance of at least 200 mm (7.874 in) to the vessel wall. If the sensor is installed in the center of dished or round vessel tops, multiple echoes can arise. These can, however, be suppressed by an appropriate adjustment (see chapter "Setup").

If you cannot maintain this distance, you should carry out a false signal storage during setup. This applies particularly if buildup on the vessel wall is expected. In such cases, we recommend repeating the false signal storage at a later date with existing buildup.

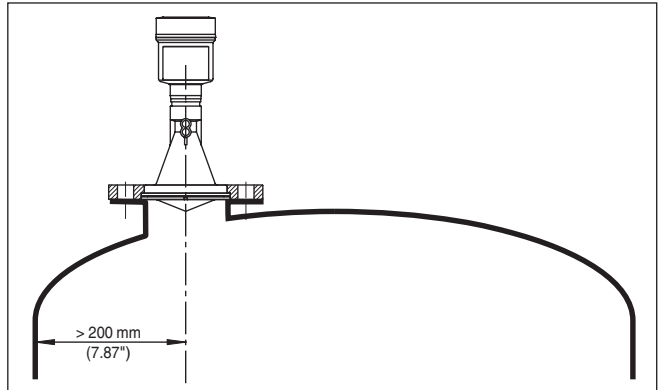


Fig. 6: Mounting of the radar sensor on round vessel tops

In vessels with conical bottom it can be advantageous to mount the sensor in the center of the vessel, as measurement is then possible down to the lowest point of the vessel bottom.

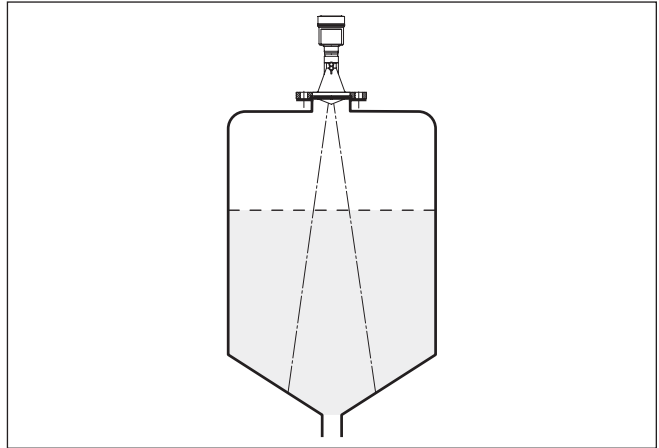


Fig. 7: Mounting of the radar sensor on vessels with conical bottom

Inflowing medium

Do not mount the instruments in or above the filling stream. Make sure that you detect the product surface, not the inflowing product.

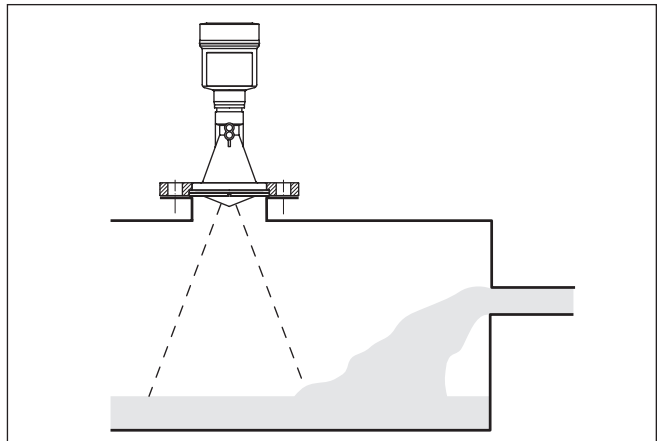


Fig. 8: Mounting of the radar sensor with inflowing medium

Socket with encapsulated antenna system

The socket piece should be dimensioned in such a way that the antenna end protrudes at least 10 mm (0.4 in) out of the socket.

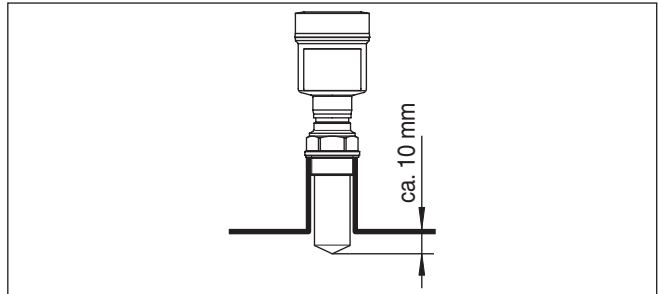


Fig. 9: Recommended socket mounting

If the reflective properties of the medium are good, you can mount LEVEL TRANSMITTER 8136 on sockets which are higher than the length of the antenna. You will find recommended values for socket heights in the following illustration. The socket end should be smooth and burr-free, if possible also rounded. After installation you must carry out a false echo storage.

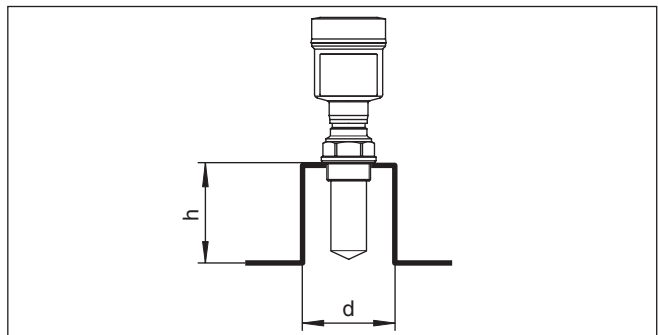


Fig. 10: Deviating socket dimensions

The below charts specify the max. socket length h depending on the diameter d .

Socket diameter d	Socket length h
40 mm	≤ 200 mm
50 mm	≤ 250 mm
80 mm	≤ 300 mm
100 mm	≤ 400 mm
150 mm	≤ 500 mm

Socket diameter d	Socket length h
1½"	≤ 7.9 in
2"	≤ 9.9 in
3"	≤ 11.8 in

MAN 1000102666 ML Version: C Status: RL (released | freigegeben) printed 02.09.2017

Socket with plastic horn antenna

Socket diameter d	Socket length h
4"	≤ 15.8 in
6"	≤ 19.7 in

A corresponding collar flange for DN 80 (ASME 3" or JIS 80) as well as a suitable adapter flange are available for mounting LEVEL TRANSMITTER 8136.

With the housing versions plastic, aluminium single chamber and stainless steel, the collar flange can be placed directly over the housing. With the aluminium double chamber housing, retroactive mounting in this way is not possible - the mounting type must be specified with the order.



Information:

The mounting socket should be as short as possible and its end rounded. This reduces false echoes from the vessel mounting socket.

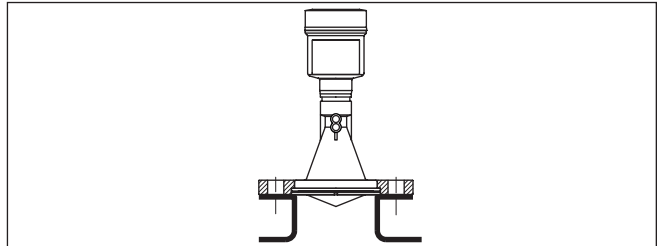
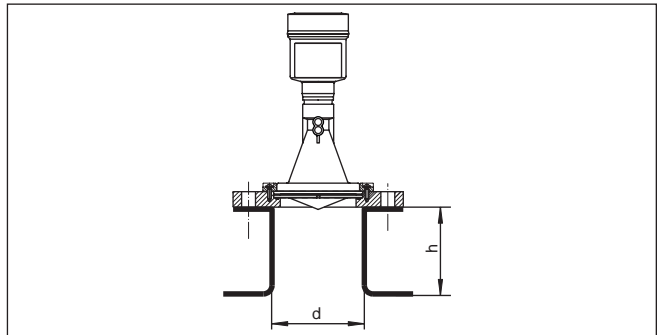


Fig. 11: Recommended socket mounting

If the medium has good reflective properties, LEVEL TRANSMITTER 8136 can also be mounted on a longer socket piece. Recommended values for socket heights are specified in the following illustration. You must carry out a false echo storage afterwards.



The below charts specify the max. socket length h depending on the diameter d.

Socket diameter d	Socket length h
80 mm	≤ 300 mm

41783-EN-141205

MAN 1000102666 ML Version: C Status: RL (released | freigeben) printed: 22.09.2017

Sensor orientation

Socket diameter d	Socket length h
100 mm	≤ 400 mm
150 mm	≤ 500 mm

Socket diameter d	Socket length h
3"	≤ 11.8 in
4"	≤ 15.8 in
6"	≤ 19.7 in

In liquids, direct the sensor as perpendicular as possible to the product surface to achieve optimum measurement results.

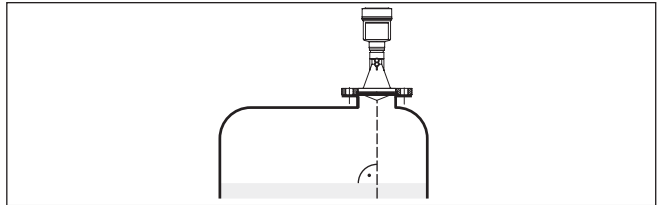


Fig. 13: Alignment in liquids

Vessel installations

The mounting location of the radar sensor should be a place where no other equipment or fixtures cross the path of the radar signals.

Vessel installations, such as e.g. ladders, limit switches, heating spirals, struts, etc., can cause false echoes and impair the useful echo. Make sure when planning your measuring point that the radar sensor has a "clear view" to the measured product.

In case of existing vessel installations, a false echo storage should be carried out during setup.

If large vessel installations such as struts or supports cause false echoes, these can be attenuated through supplementary measures. Small, inclined sheet metal baffles above the installations scatter the radar signals and prevent direct interfering reflections.

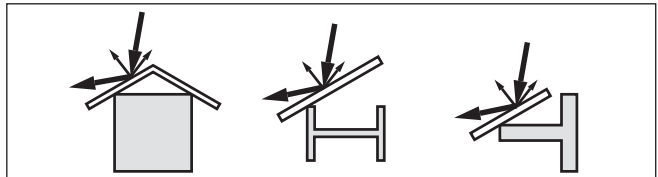


Fig. 14: Cover flat, large-area profiles with deflectors

Agitators

If there are agitators in the vessel, a false signal storage should be carried out with the agitators in motion. This ensures that the interfering reflections from the agitators are saved with the blades in different positions.

41783-EN-141205

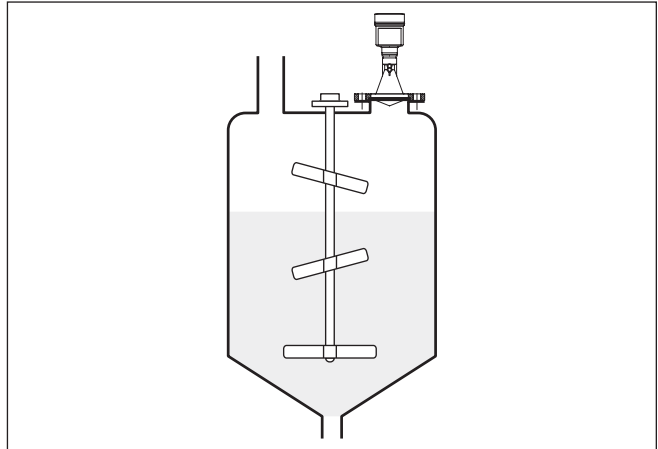


Fig. 15: Agitators

Foam generation

Through the action of filling, stirring and other processes in the vessel, compact foams that considerably damp the emitted signals may form on the product surface.

If foams are causing measurement errors, the biggest possible radar antennas, the electronics with increased sensitivity or low frequency radar sensors (C band) should be used.

As an alternative, sensors with guided microwave can be used. These are unaffected by foam generation and are best suited for such applications.

4.5 Measurement setup - Pipes

By using a surge pipe in the vessel, the influence of vessel installations and turbulence can be excluded. Under these prerequisites, the measurement of products with low dielectric values (ϵ_r value ≤ 1.6) is possible.

Note the following illustrations and instructions for measurement in a surge pipe.



Information:

Measurement in a surge pipe is not recommended for extremely adhesive products.

Configuration surge pipe

MAN 1000102666 ML Version: C Status: RL (released | freigegeben) printed: 22.09.2017

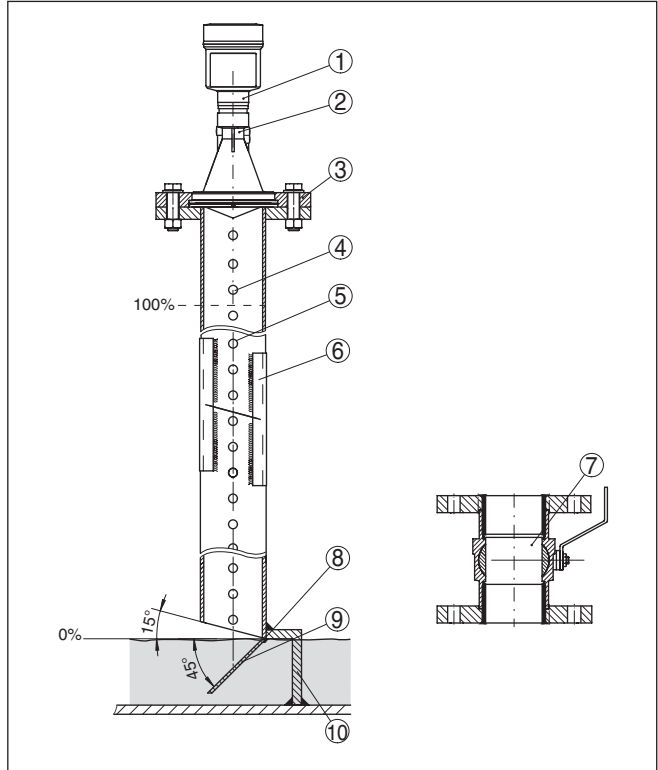


Fig. 16: Configuration surge pipe LEVEL TRANSMITTER 8136

- 1 Radar sensor
- 2 Polarisation marking
- 3 Thread or flange on the instrument
- 4 Vent hole
- 5 Holes
- 6 Welding connection through U-profile
- 7 Ball valve with complete opening
- 8 Surge pipe end
- 9 Reflector sheet
- 10 Fastening of the surge pipe

Surge pipe extension

MAN 1000102666 ML Version: C Status: RL (released | freigegeben) printed: 22.09.2017

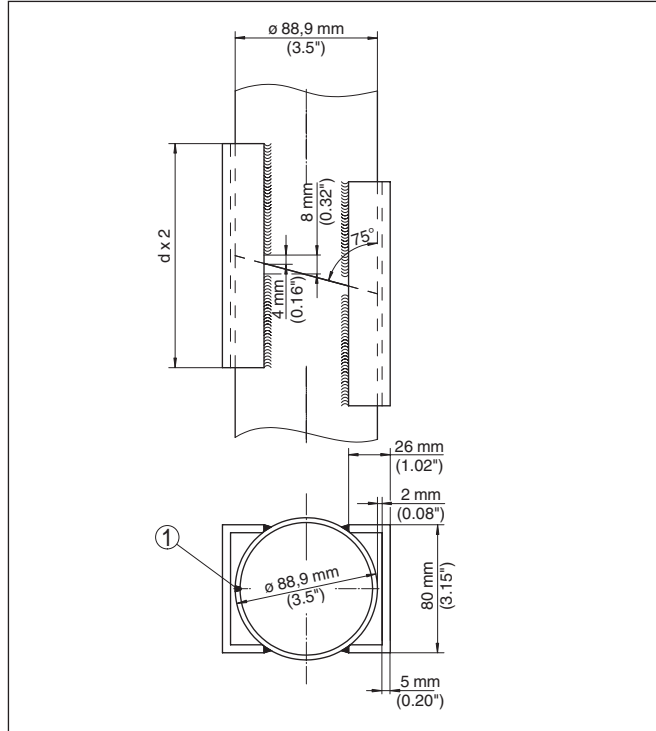


Fig. 17: Welding connection with surge pipe extension for different example diameters

1 Position of the welded joint with longitudinally welded pipes

Instructions and requirements, surge pipe

Instructions of orientation of the polarisation:

- Note marking of the polarisation on the sensor
- With threaded versions, the marking is on the hexagon, with flange versions between two flange holes
- The marking must be in one plane with the holes in the surge pipe

Instructions for the measurement:

- The 100 % point must be below the upper vent hole and the antenna edge
- The 0 % point is the end of the surge pipe
- During parameter adjustment, select "Application standpipe" and enter the tube diameter to compensate for errors due to running time shift
- A false signal suppression with the installed sensor is recommended but not mandatory
- The measurement through a ball valve with unrestricted channel is possible

Measurement in the bypass tube

Constructive requirements:

- Material metal, smooth inner surface
- Preferably pultruded or straight beaded stainless steel tube
- Welded joint should be straight and lie in one axis with the holes
- Flanges are welded to the tube according to the orientation of the polarisation
- When using a ball valves, align the transitions on the inside and fix accurately
- Gap size with junctions ≤ 0.1 mm
- Surge pipes must extend all the way down to the requested min. level, as measurement is only possible within the tube
- Diameter of holes ≤ 5 mm, any number OK, on one side or completely through
- The antenna diameter of the sensor should correspond to the inner diameter of the tube
- Diameter should be constant over the complete length

Instructions for surge pipe extension:

- The ends of the extension tubes must be bevelled and exactly aligned
- Welded connection via external U profiles according to illustration above. Length of the U profiles should be at least double the tube diameter
- Do not weld through the pipe wall. The surge pipe must remain smooth inside. Roughness and beads on the inside caused by unintentional penetration should be removed since they cause strong false echoes and encourage buildup
- An extension via welding neck flanges or pipe collars is not recommended.

An alternative to measurement in a surge pipe is measurement in a bypass tube outside of the vessel.

Configuration bypass

MAN 102666 ML Version: C Status: RL (released | freigegeben) printed: 22.09.2017

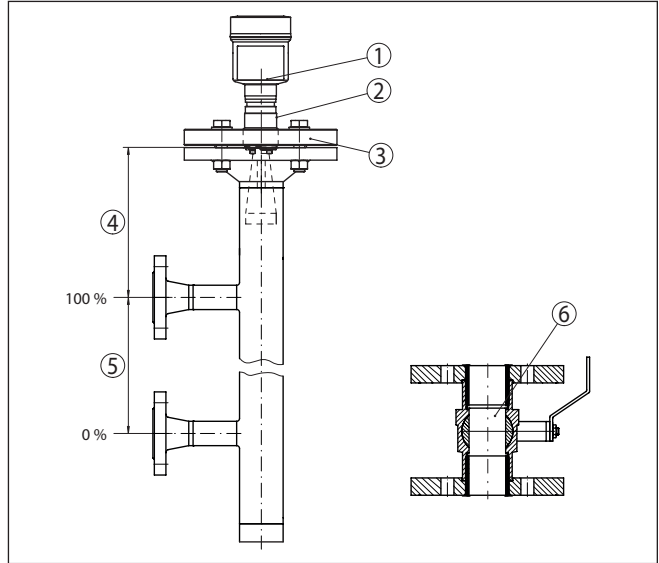


Fig. 18: Configuration bypass

- 1 Radar sensor
- 2 Polarisation marking
- 3 Instrument flange
- 4 Distance sensor reference plane to upper tube connection
- 5 Distance of the tube connections
- 6 Ball valve with complete opening

Instructions and requirements, bypass

Instructions of orientation of the polarisation:

- Note marking of the polarisation on the sensor
- With threaded versions, the marking is on the hexagon, with flange versions between two flange holes
- The marking must be in one plane with the tube connections to the vessel

Instructions for the measurement:

- The 100 % point may not be above the upper tube connection to the vessel
- The 0 % point may not be below the lower tube connection to the vessel
- Min. distance, sensor reference plane to upper edge of upper tube connection > 300 mm
- During parameter adjustment, select "*Application standpipe*" and enter the tube diameter to compensate for errors due to running time shift
- A false signal suppression with the installed sensor is recommended but not mandatory
- The measurement through a ball valve with unrestricted channel is possible

41783-EN-141205

Flow measurement with rectangular flume

Constructional requirements on the bypass pipe:

- Material metal, smooth inner surface
- In case of an extremely rough tube inner surface, use an inserted tube (tube in tube) or a radar sensor with tube antenna
- Flanges are welded to the tube according to the orientation of the polarisation
- Gap size with junctions ≤ 0.1 mm, for example, when using a ball valve or intermediate flanges with single pipe sections
- The antenna diameter of the sensor should correspond to the inner diameter of the tube
- Diameter should be constant over the complete length

4.6 Measurement setup - Flow

The short examples give you introductory information on the flow measurement. Detailed planning information is available from flume manufacturers and in special literature.

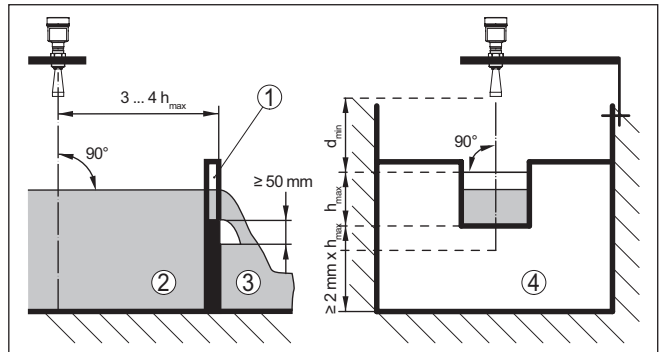


Fig. 19: Flow measurement with rectangular flume: d_{min} = min. distance of the sensor (see chapter "Technical data"); h_{max} = max. filling of the rectangular flume

- 1 Overflow orifice (side view)
- 2 Headwater
- 3 Tail water
- 4 Overfall orifice (view from bottom water)

In general, the following points must be observed:

- Install the sensor on the headwater side
- Installation in the centre of the flume and vertical to the liquid surface
- Distance to the overflow orifice
- Distance of orifice opening above ground
- Min. distance of the orifice opening to bottom water
- Min. distance of the sensor to max. storage level

Flow measurement with Khafagi Venturi flume

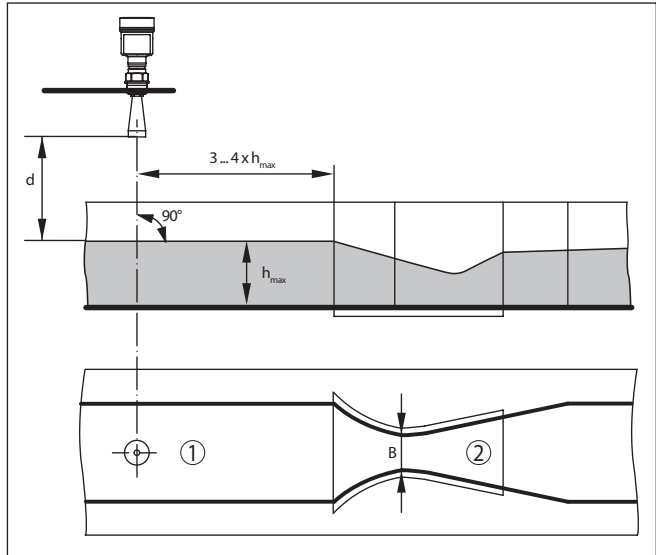


Fig. 20: Flow measurement with Khafagi-Venturi flume: d = Min. distance to sensor; h_{max} = max. filling of the flume; B = tightest constriction in the flume

- 1 Position sensor
- 2 Venturi flume

In general, the following points must be observed:

- Installation of the sensor at the input side
- Installation in the centre of the flume and vertical to the liquid surface
- Distance to the Venturi flume
- Min. distance of the sensor to max. storage level

5 Connecting to power supply

5.1 Preparing the connection

Always keep in mind the following safety instructions:



Warning:

Connect only in the complete absence of line voltage.

- The electrical connection must only be carried out by trained personnel authorised by the plant operator.
- If overvoltage surges are expected, overvoltage arresters should be installed.

Power supply and current signal are carried on the same two-wire cable. The operating voltage can differ depending on the instrument version.

The data for power supply are specified in chapter "*Technical data*".

Provide a reliable separation between the supply circuit and the mains circuits according to DIN EN 61140 VDE 0140-1.

Keep in mind the following additional influences on the operating voltage:

- Lower output voltage of the power supply unit under nominal load (e.g. with a sensor current of 20.5 mA or 22 mA in case of fault)
- Influence of additional instruments in the circuit (see load values in chapter "*Technical data*")

The instrument is connected with standard two-wire cable without screen. If electromagnetic interference is expected which is above the test values of EN 61326-1 for industrial areas, screened cable should be used.

Use cable with round cross section for instruments with housing and cable gland. To ensure the seal effect of the cable gland (IP protection rating), find out which cable outer diameter the cable gland is suitable for.

Use a cable gland fitting the cable diameter.

We generally recommend the use of screened cable for HART multi-drop mode.

Cable gland ½ NPT

With plastic housing, the NPT cable gland or the Conduit steel tube must be screwed without grease into the threaded insert.

Max. torque for all housings see chapter "*Technical data*".

Cable screening and grounding

If screened cable is required, we recommend connecting the cable screen on both ends to ground potential. In the sensor, the screen must be connected directly to the internal ground terminal. The ground terminal on the outside of the housing must be connected to the ground potential (low impedance).

In Ex systems, the grounding is carried out according to the installation regulations.

Safety instructions
 Safety instructions

Voltage supply

Connection cable

MAN 1000102666 ML Version: C Status: RL (released) printed: 22.09.2017

Cable screening and grounding

If screened cable is required, we recommend connecting the cable screen on both ends to ground potential. In the sensor, the screen must be connected directly to the internal ground terminal. The ground terminal on the outside of the housing must be connected to the ground potential (low impedance).

In Ex systems, the grounding is carried out according to the installation regulations.

Connection technology

5.2 Connecting

The voltage supply and signal output are connected via the spring-loaded terminals in the housing.

Connection to the display and adjustment module or to the interface adapter is carried out via contact pins in the housing.



Information:

The terminal block is pluggable and can be removed from the electronics. To do this, lift the terminal block with a small screwdriver and pull it out. When reinserting the terminal block, you should hear it snap in.

Connection procedure

Proceed as follows:

1. Unscrew the housing cover
2. If a display and adjustment module is installed, remove it by turning it slightly to the left.
3. Loosen compression nut of the cable entry gland
4. Remove approx. 10 cm (4 in) of the cable mantle, strip approx. 1 cm (0.4 in) of insulation from the ends of the individual wires
5. Insert the cable into the sensor through the cable entry



Fig. 21: Connection steps 5 and 6 - Single chamber housing

6. Insert the wire ends into the terminals according to the wiring plan



Information:

Solid cores as well as flexible cores with wire end sleeves are inserted directly into the terminal openings. In case of flexible cores without end sleeves, press the terminal from above with a small screwdriver, the terminal opening is then free. When the screwdriver is released, the terminal closes again.

You can find further information on the max. wire cross-section under "Technical data/Electromechanical data"

7. Check the hold of the wires in the terminals by lightly pulling on them
8. Connect the screen to the internal ground terminal, connect the outer ground terminal to potential equalisation
9. Tighten the compression nut of the cable entry gland. The seal ring must completely encircle the cable
10. Reinsert the display and adjustment module, if one was installed
11. Screw the housing lid back on

The electrical connection is finished.

5.3 Wiring plan



The following illustration applies to the non-Ex as well as to the Ex-ia version.

Electronics and terminal compartment

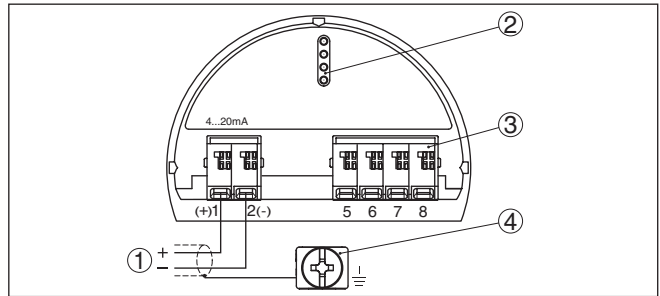


Fig. 22: Electronics and terminal compartment, single chamber housing

- 1 Voltage supply, signal output
- 2 For display and adjustment module or interface adapter
- 3 For external display and adjustment unit
- 4 Ground terminal for connection of the cable screen

5.4 Switch-on phase

After connecting the instrument to power supply or after a voltage recurrence, the instrument carries out a self-check for approx. 30 s:

- Internal check of the electronics
- Indication of the instrument type, hardware and software version, measurement loop name on the display or PC
- Indication of the status message "F 105 Determine measured value" on the display or PC
- The output signal jumps to the set fault current

As soon as a plausible measured value is found, the corresponding current is outputted to the signal cable. The value corresponds to the actual level as well as the settings already carried out, e.g. factory setting.

6 Set up with the display and adjustment module

6.1 Insert display and adjustment module

The display and adjustment module can be inserted into the sensor and removed again at any time. You can choose any one of four different positions - each displaced by 90°. It is not necessary to interrupt the power supply.

Proceed as follows:

1. Unscrew the housing cover
2. Place the display and adjustment module on the electronics in the desired position and turn it to the right until it snaps in.
3. Screw housing cover with inspection window tightly back on

Disassembly is carried out in reverse order.

The display and adjustment module is powered by the sensor, an additional connection is not necessary.

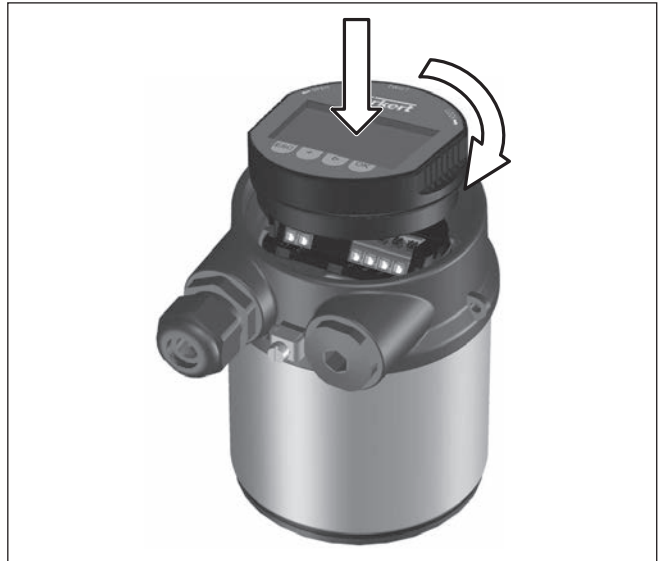


Fig. 23: Insertion of the display and adjustment module with single chamber housing



Note:

If you intend to retrofit the instrument with a display and adjustment module for continuous measured value indication, a higher cover with an inspection glass is required.

6.2 Adjustment system

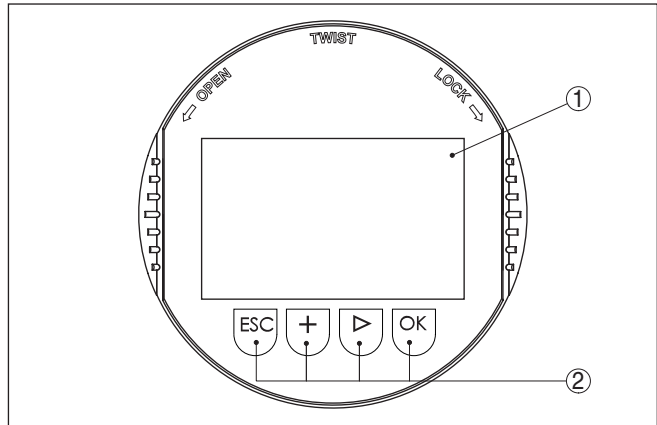


Fig. 24: Display and adjustment elements

- 1 LC display
- 2 Adjustment keys

Key functions

- **[OK]** key:
 - Move to the menu overview
 - Confirm selected menu
 - Edit parameter
 - Save value
- **[->]** key:
 - Presentation, change measured value
 - Select list entry
 - Select editing position
- **[+]** key:
 - Change value of the parameter
- **[ESC]** key:
 - Interrupt input
 - Jump to next higher menu

Adjustment system

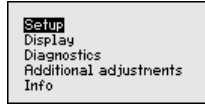
The instrument is adjusted via the four keys of the display and adjustment module. The LC display indicates the individual menu items. The functions of the individual keys are shown in the above illustration. Approx. 60 minutes after the last pressing of a key, an automatic reset to measured value indication is triggered. Any values not confirmed with **[OK]** will not be saved.

6.3 Parameter adjustment

The instrument is adapted to the application conditions via the parameter adjustment. The parameter adjustment is carried out with an adjustment menu.

Main menu

The main menu is divided into five sections with the following functions:



Setup: Settings, e.g., for measurement loop name, medium, application, vessel, adjustment, signal output

Display: Settings, e.g., for language, measured value display, lighting

Diagnosis: Information, e.g. on instrument status, pointer, measurement reliability, simulation, echo curve

Further settings: Instrument unit, false signal suppression, linearisation curve, reset, date/time, reset, copy function

Info: Instrument name, hardware and software version, date of manufacture, instrument features



Information:

In this operating instructions manual, the instrument-specific parameters in the menu sections "Setup", "Diagnosis" and "Additional settings" are described. The general parameters in these menu section are described in the operating instructions manual "Indicating and adjustment module".

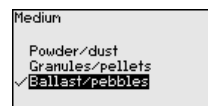
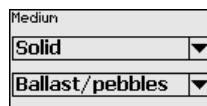
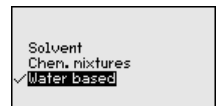
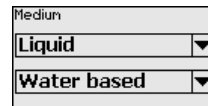
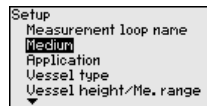
You can find in the operating instructions manual "Display and adjustment module" also the description of the menu sections "Display" and "Info".

In the main menu point "Setup", the individual submenu points should be selected one after the other and provided with the correct parameters to ensure optimum adjustment of the measurement. The procedure is described in the following.

Setup - Medium

Each medium has different reflection properties. With liquids, further interfering factors are fluctuation product surface and foam generation. With bulk solids, these are dust generation, material cone and additional echoes from the vessel wall.

To adapt the sensor to these different measuring conditions, the selection "Liquid" or "Bulk solid" should be made in this menu item.



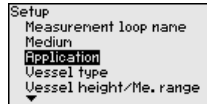
Through this selection, the sensor is adapted perfectly to the product and measurement reliability, particularly in products with poor reflective properties, is considerably increased.

Setup - Application

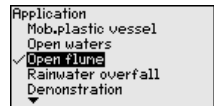
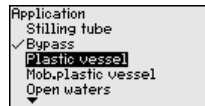
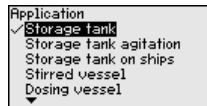
Enter the requested parameters via the appropriate keys, save your settings with **[OK]** and jump to the next menu item with the **[ESC]** and the **[->]** key.

In addition to the medium, also the application, i.e. the measuring site, can influence the measurement.

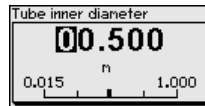
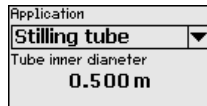
With this menu item, the sensor can be adapted to the applications. The adjustment possibilities depend on the selection "Liquid" or "Bulk solid" under "Medium".



The following options are available when "Liquid" is selected:



The selection "Standpipe" opens a new window in which the inner diameter of the applied standpipe is entered.



The following features form the basis of the applications:

Storage tank:

- Setup: large-volumed, upright cylindrical, spherical
- Product speed: slow filling and emptying
- Process/measurement conditions:
 - Condensation
 - Smooth product surface
 - High requirements to the measurement accuracy
- Properties, sensor:
 - Slight sensitivity against sporadic false echoes
 - Stable and reliable measured values through averaging
 - High accuracy
 - Short reaction time of the sensor not required

Storage tank with product circulation:

- Setup: large-volumed, upright cylindrical, spherical
- Product speed: slow filling and emptying
- Installations: small laterally mounted or large top mounted stirrer
- Process/measurement conditions:
 - Relatively smooth product surface
 - High requirements to the measurement accuracy
 - Condensation
 - Slight foam generation
 - Overfilling possible
- Properties, sensor:

- Slight sensitivity against sporadic false echoes
- Stable and reliable measured values through averaging
- High accuracy because not adjusted for max. speed
- False signal suppression recommended

Storage tank on ships (Cargo Tank):

- Product speed: slow filling and emptying
- Vessel:
 - Installations in the bottom section (bracers, heating spirals)
 - High sockets 200 ... 500 mm, also with large diameters
- Process/measurement conditions:
 - Condensation, buildup by movement
 - Max. requirement on measurement accuracy from 95 %
- Properties, sensor:
 - Slight sensitivity against sporadic false echoes
 - Stable and reliable measured values through averaging
 - High accuracy
 - False signal suppression required

Stirrer vessel (reactor):

- Setup: all vessel sizes possible
- Product speed:
 - Fast to slow filling possible
 - Vessel is very often filled and emptied
- Vessel:
 - Socket available
 - Large agitator blades of metal
 - Vortex breakers, heating spirals
- Process/measurement conditions:
 - Condensation, buildup by movement
 - Strong spout generation
 - Very agitated surface, foam generation
- Properties, sensor:
 - Higher measurement speed through lower averaging
 - Sporadic false echoes are suppressed

Dosing vessel:

- Setup: all vessel sizes possible
- Product speed:
 - Fast filling and emptying
 - Vessel is very often filled and emptied
- Vessel: narrow installation situation
- Process/measurement conditions:
 - Condensation, buildup on the antenna
 - Foam generation
- Properties, sensor:
 - Measurement speed optimized by virtually no averaging
 - Sporadic false echoes are suppressed
 - False signal suppression recommended

Standpipe:

- Product speed: very fast filling and emptying
- Vessel:

- Vent hole
- Joins like flanges, weld joints
- Shifting of the running time in the tube
- Process/measurement conditions:
 - Condensation
 - Buildup
- Properties, sensor:
 - Measurement speed optimized through little averaging
 - Entering the tube inside diameter takes the running time shift into consideration
 - Echo detection sensitivity reduced

Bypass:

- Product speed:
 - Fast up to slow filling with short up to long bypass tube possible
 - Often the level is hold via a control facility
- Vessel:
 - Lateral outlets and inlets
 - Joins like flanges, weld joints
 - Shifting of the running time in the tube
- Process/measurement conditions:
 - Condensation
 - Buildup
 - Separation of oil and water possible
 - Overflowing into the antenna possible
- Properties, sensor:
 - Measurement speed optimized through little averaging
 - Entering the tube inside diameter takes the running time shift into consideration
 - Echo detection sensitivity reduced
 - False signal suppression recommended

Plastic tank:

- Vessel:
 - Measurement fix mounted or integrated
 - Measurement depending on the application through the vessel top
 - With empty vessel, the measurement can be carried out through the bottom
- Process/measurement conditions:
 - Condensation on the plastic ceiling
 - In outside facilities water and snow on the vessel top possible
- Properties, sensor:
 - False signals outside the vessel are not taken into consideration
 - False signal suppression recommended

Transportable plastic tank:

- Vessel:
 - Material and thickness different
 - Measurement through the vessel top
- Process/measurement conditions:
 - Measured value jump with vessel change
- Properties, sensor:

- Quick adaptation to changing reflection conditions through vessel change
- False signal suppression required

Open water (gauge measurement):

- Gauge rate of change: slow gauge change
- Process/measurement conditions:
 - Distance sensor to water surface to big
 - Extreme damping of output signal due to wave generation
 - Ice and condensation on the antenna possible
 - Spiders and insect nestle in the antennas
 - Floating material and animals sporadically on the water surface
- Properties, sensor:
 - Stable and reliable measured values through high averaging
 - Insensitive in the close range

Open flume (flow measurement):

- Gauge rate of change: slow gauge change
- Process/measurement conditions:
 - Ice and condensation on the antenna possible
 - Spiders and insect nestle in the antennas
 - Smooth water surface
 - Exact measurement result required
 - Distance to the water surface normally relatively high
- Properties, sensor:
 - Stable and reliable measured values through high averaging
 - Insensitive in the close range

Rain water overfall (weir):

- Gauge rate of change: slow gauge change
- Process/measurement conditions:
 - Ice and condensation on the antenna possible
 - Spiders and insect nestle in the antennas
 - Turbulent water surface
 - Sensor flooding possible
- Properties, sensor:
 - Stable and reliable measured values through high averaging
 - Insensitive in the close range

Demonstration:

- Adjustment for all applications which are not typically level measurement
 - Instrument demonstration
 - Object recognition/monitoring (additional settings required)
- Properties, sensor:
 - Sensor accepts all measured value changes within the measuring range immediately
 - High sensitivity against interferences, because virtually no averaging

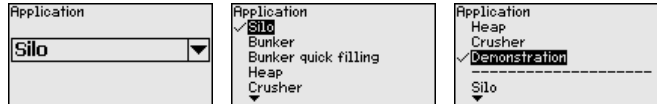
**Caution:**

If liquids with different dielectric constants separate in the vessel, for example through condensation, the radar sensor can detect under

certain circumstances only the medium with the higher dielectric constant. Keep in mind that layer interfaces can cause faulty measurements.

If you want to measure the total height of both liquids reliably, please contact our service department or use an instrument specially designed for interface measurement.

The following options are available when "Bulk solid" is selected:



The following features form the basis of the applications:

Silo (slender and high):

- Vessel of metal: weld joints
- Process/measurement conditions:
 - Filling aperture too close to the sensor
 - System noise in completely empty silo increased
- Properties, sensor:
 - Stable measured values through higher averaging
 - False signal suppression during setup recommended, required for automatic false signal suppression
 - Automatic false signal suppression with partly filled vessel

Bunker (large-volume):

- Vessel of concrete or metal:
 - Structured vessel walls
 - Installations present
- Process/measurement conditions:
 - Large distance to the medium
 - Large angles of repose
- Properties, sensor:
 - Mean averaging
 - High measured value jumps are accepted

Bunker with fast filling:

- Vessel of concrete or metal, also multiple chamber silo:
 - Structured vessel walls
 - Installations present
- Process/measurement conditions:
 - Measured value jumps, e.g. through truck loading
 - Large distance to the medium
 - Large angles of repose
- Properties, sensor:
 - Lower averaging
 - Very high measured value jumps are accepted

Heap:

- Sensor mounting on movable conveyor belts
- Detection of the heap profile
- Height detection during filling

- Process/measurement conditions:
 - Measured value jumps, e.g. by the profile of the heap or traverses
 - Large angles of repose
 - Measurement near the filling stream
- Properties, sensor:
 - Mean averaging
 - High measured value jumps are accepted

Crusher:

- Vessel: installations, wear and protective facilities available
- Process/measurement conditions:
 - Measured value jumps, e.g. through truck loading
 - Fast reaction time
 - Large distance to the medium
- Properties, sensor:
 - Little averaging
 - Max. reaction speed, very high measured value jumps are accepted

Demonstration:

- Adjustment for all applications which are not typically level measurement
 - Instrument demonstration
 - Object recognition/monitoring (additional settings required)
- Properties, sensor:
 - Sensor accepts all measured value changes within the measuring range immediately
 - High sensitivity against interferences, because virtually no averaging

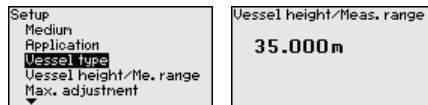
Through this selection, the sensor is adapted optimally to the application or the location and measurement reliability under the various basic conditions is increased considerably.

Enter the requested parameters via the appropriate keys, save your settings with **[OK]** and jump to the next menu item with the **[ESC]** and the **[->]** key.

Setup - Vessel height, measuring range

With this selection, the operating range of the sensor is adapted to the vessel height and the reliability with different frame conditions is increased considerably.

The min. adjustment must be carried out independently of this.



Enter the requested parameters via the appropriate keys, save your settings with **[OK]** and jump to the next menu item with the **[ESC]** and the **[->]** key.

Setup - Vessel form

Also the vessel form can influence the measurement apart from the medium and the application. To adapt the sensor to these measure-

Setup - Adjustment

ment conditions, this menu item offers you different options for vessel bottom and ceiling in case of certain applications.



Enter the requested parameters via the appropriate keys, save your settings with **[OK]** and jump to the next menu item with the **[ESC]** and the **[->]** key.

Since the radar sensor is a distance measuring instrument, the distance from the sensor to the product surface is measured. For indication of the real level, an allocation of the measured distance to the percentage height must be carried out.

To perform the adjustment, enter the distance with full and empty vessel, see the following example:

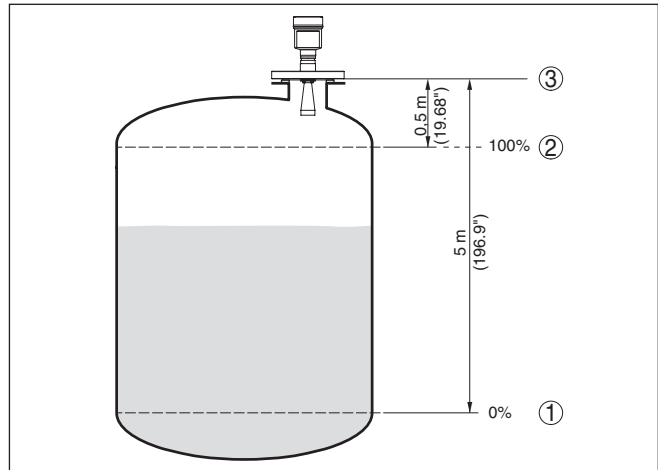


Fig. 25: Parameter adjustment example min./max. adjustment

- 1 Min. level = max. meas. distance
- 2 Max. level = min. meas. distance
- 3 Reference plane

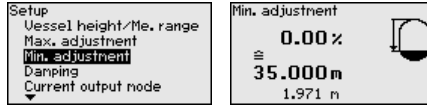
If these values are not known, an adjustment with the distances of for example 10 % and 90 % is possible. Starting point for these distance specifications is always the seal surface of the thread or flange. You can find specifications of the reference plane in chapter "Technical data". By means of these settings, the real level will be calculated.

The real product level during this adjustment is not important, because the min./max. adjustment is always carried out without changing the product level. These settings can be made ahead of time without the instrument having to be installed.

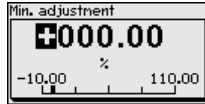
Setup - Min. adjustment

Proceed as follows:

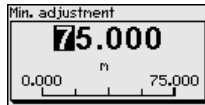
1. Select the menu item "Setup" with [->] and confirm with [OK].
Now select with [->] the menu item "Min. adjustment" and confirm with [OK].



2. Edit the percentage value with [OK] and set the cursor to the requested position with [->].



3. Set the requested percentage value with [+] and save with [OK].
The cursor jumps now to the distance value.

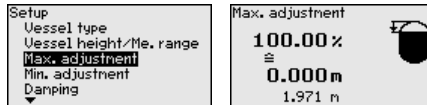


4. Enter the suitable distance value in m for the empty vessel (e.g. distance from the sensor to the vessel bottom) corresponding to the percentage value.
5. Save settings with [OK] and move with [ESC] and [->] to the max. adjustment.

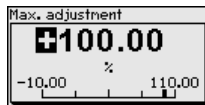
Setup - Max. adjustment

Proceed as follows:

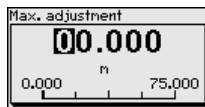
1. Select with [->] the menu item Max. adjustment and confirm with [OK].



2. Prepare the percentage value for editing with [OK] and set the cursor to the requested position with [->].



3. Set the requested percentage value with [+] and save with [OK].
The cursor jumps now to the distance value.

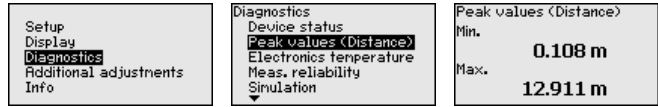


4. Enter the appropriate distance value in m (corresponding to the percentage value) for the full vessel. Keep in mind that the max. level must lie below the min. distance to the antenna edge.

5. Save settings with **[OK]**

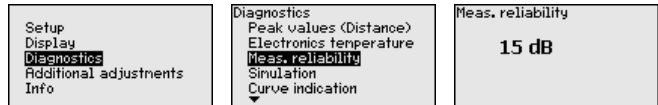
Diagnosis - Peak value

The respective min. and max. measured value is saved in the sensor. The values are displayed in the menu item "Peak values".



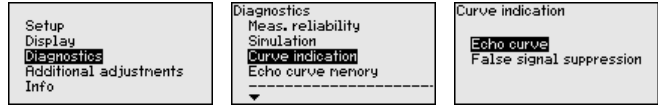
Diagnosis - Measurement reliability

When non-contact level sensors are used, the measurement can be influenced by the respective process conditions. In this menu item, the measurement reliability of the level echo is displayed as dB value. The measurement reliability equals signal strength minus noise. The higher the value, the more reliable the measurement. With a functioning measurement, the values are > 10 dB.



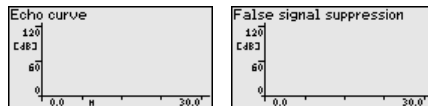
Diagnoses - Curve indication

The "Echo curve" shows the signal strength of the echoes over the measuring range in dB. The signal strength enables an evaluation of the quality of the measurement.



The "False signal suppression" displays the saved false echoes (see menu "Additional settings") of the empty vessel with signal strength in "dB" over the measuring range.

A comparison of echo curve and false signal suppression allows a more detailed statement of the reliability.



The selected curve is continuously updated. A submenu with zoom functions is opened with the **[OK]** key:

- "X-Zoom": Zoom function for the meas. distance
- "Y-Zoom": 1, 2, 5 and 10x signal magnification in "dB"
- "Unzoom": Reset the presentation to the nominal measuring range without magnification

Diagnostics - Echo curve memory

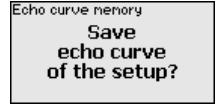
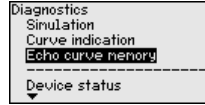
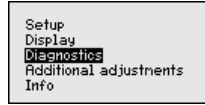
With the function "Echo curve memory" the echo curve can be saved at the time of setup. This is generally recommended; for using the As-set Management functions it is absolutely necessary. If possible, the curve should be saved with a low level in the vessel.

With the adjustment software PACTware and the PC, the high resolution echo curve can be displayed and used to recognize signal

MAN 1000102666 ML Version: C08 Status: RL (released | freigegeben) printed: 22.09.2017

41783-EN-141205

changes over the operating time. In addition, the echo curve of the setup can be also displayed in the echo curve window and compared with the actual echo curve.



**Additional adjustments -
False signal suppression**

The following circumstances cause interfering reflections and can influence the measurement:

- High sockets
- Vessel installations such as struts
- Agitators
- Buildup or welded joints on vessel walls



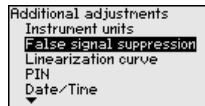
Note:

A false signal suppression detects, marks and saves these false signals so that they are no longer taken into account in the level measurement.

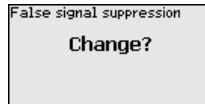
This should be done with a low level so that all potential interfering reflections can be detected.

Proceed as follows:

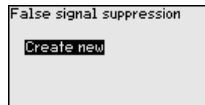
1. Select with **[->]** the menu item "False signal suppression" and confirm with **[OK]**.



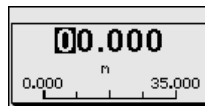
2. Confirm again with **[OK]**.



3. Confirm again with **[OK]**.



4. Confirm again with **[OK]** and enter the actual distance from the sensor to the product surface.

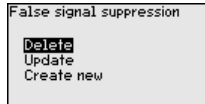


5. All interfering signals in this section are detected by the sensor and stored after confirming with **[OK]**.

**Note:**

Check the distance to the product surface, because if an incorrect (too large) value is entered, the existing level will be saved as a false signal. The level would then no longer be detectable in this area.

If a false signal suppression has already been saved in the sensor, the following menu window appears when selecting "*False signal suppression*":



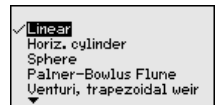
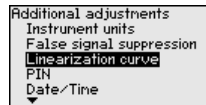
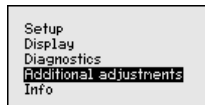
Delete: An already created false signal suppression will be completely deleted. This is useful if the saved false signal suppression no longer matches the metrological conditions in the vessel.

Extend: is used to extend an already created false signal suppression. This is useful if a false signal suppression was carried out with a too high level and not all false signals could be detected. When selecting "*Extend*", the distance to the product surface of the created false signal suppression is displayed. This value can now be changed and the false signal suppression can be extended to this range.

Additional adjustments - Linearization curve

A linearisation is necessary for all vessels in which the vessel volume does not increase linearly with the level - e.g. a horizontal cylindrical or spherical tank - and the indication or output of the volume is required. Corresponding linearisation curves are preprogrammed for these vessels. They represent the correlation between the level percentage and vessel volume.

By activating the appropriate curve, the volume percentage of the vessel is displayed correctly. If the volume should not be displayed in percent but e.g. in l or kg, a scaling can be also set in the menu item "*Display*".



Enter the requested parameters via the appropriate keys, save your settings and jump to the next menu item with the **[ESC]** and **[->]** key.

**Caution:**

Note the following if instruments with appropriate approval are used as part of an overflow protection system according to WHG:

If a linearisation curve is selected, the measuring signal is no longer necessarily linear to the filling height. This must be considered by the user especially when adjusting the switching point on the limit signal transmitter.

Additional adjustments - Reset

With a reset, certain parameter adjustments carried out by the user are reset.



The following reset functions are available:

Delivery status: Restoring the parameter settings at the time of shipment from the factory incl. the order-specific settings. A created false signal suppression, user-programmable linearization curve as well as the measured value memory will be deleted.

Basic settings: Resetting of the parameter settings, incl. special parameters, to the default values of the respective instrument. Any stored false signal suppression or user programmable linearisation curve, as well as the measured value memory, is deleted.

Setup: Resetting of the parameter settings to the default values of the respective instrument in the menu item Setup. User-generated false signal suppression, user-programmed linearisation curve, measured value memory as well as event memory remain untouched. The linearisation is set to linear.

False signal suppression: Deleting a previously created false signal suppression. The false signal suppression created in the factory remains active.

Peak values, measured value: Resetting of the measured min. and max. distances to the actual measured value.

The following table shows the default values of the instrument. Depending on the instrument version, not all menu items are available or some may be differently assigned:

Menu	Menu item	Default value
Setup	Measurement loop name	Sensor
	Medium	Liquid/Water Bulk solids/Crushed stones, gravel
	Application	Storage tank Silo
	Vessel form	Vessel bottom, dished boiler end Vessel top, dished boiler end
	Vessel height/ Measuring range	Recommended measuring range, see "Technical data" in the supplement
	Min. adjustment	Recommended measuring range, see "Technical data" in the supplement
	Max. adjustment	0,000 m(d)
	Damping	0.0 s
	Current output mode	4 ... 20 mA, < 3.6 mA
	Current output Min./Max.	Min. current 3.8 mA, max. current 20.5 mA
	Lock adjustment	Released

Menu	Menu item	Default value
Display	Language	Like order
	Displayed value	Distance
	Display unit	m
	Scaling size	Volume l
	Scaling	0.00 lin %, 0 l 100.00 lin %, 100 l
	Backlight	Switched off
Additional adjustments	Distance unit	m
	Temperature unit	°C
	Probe length	Length of the standpipe Ex factory
	Linearisation curve	Linear
	HART mode	Standard Address 0

6.4 Saving the parameter adjustment data

We recommend noting the adjusted data, e.g. in this operating instructions manual, and archiving them afterwards. They are thus available for multiple use or service purposes.

If the instrument is equipped with a display and adjustment module, the data in the sensor can be saved in the display and adjustment module. The procedure is described in the operating instructions manual "*Display and adjustment module*" in the menu item "*Copy sensor data*". The data remain there permanently even if the sensor power supply fails.

The following data or settings for adjustment of the display and adjustment module are saved:

- All data of the menu "*Setup*" and "*Display*"
- In the menu "*Additional adjustments*" the items "*Sensor-specific units, temperature unit and linearization*"
- The values of the user programmable linearization curve

The function can also be used to transfer settings from one instrument to another instrument of the same type. If it is necessary to exchange a sensor, the display and adjustment module is inserted into the replacement instrument and the data are likewise written into the sensor via the menu item "*Copy sensor data*".

7 Setup with PACTware

7.1 Connect the PC

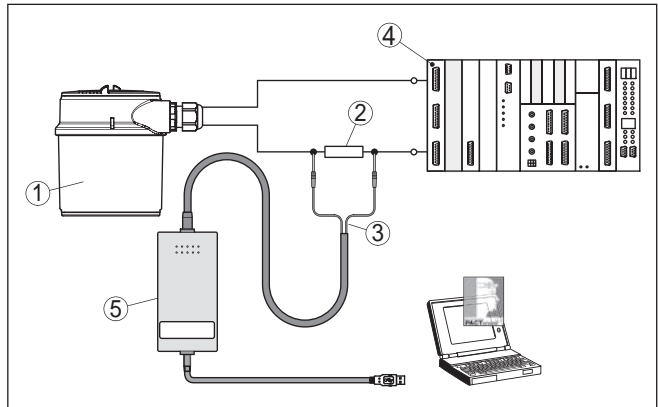


Fig. 26: Connecting the PC via HART to the signal cable

- 1 Sensor
- 2 HART resistance 250 Ω (optional depending on processing)
- 3 Connection cable with 2 mm pins and terminals
- 4 Processing system/PLC/Voltage supply

7.2 Parameter adjustment with PACTware

For parameter adjustment of the sensor via a Windows PC, the configuration software PACTware and a suitable instrument driver (DTM) according to FDT standard are required. The up-to-date PACTware version as well as all available DTMs are compiled in a DTM Collection. The DTMs can also be integrated into other frame applications according to FDT standard.



Note:

To ensure that all instrument functions are supported, you should always use the latest DTM Collection. Furthermore, not all described functions are included in older firmware versions. You can download the latest instrument software from our homepage. A description of the update procedure is also available in the Internet.

7.3 Saving the parameter adjustment data

We recommend documenting or saving the parameter adjustment data via PACTware. That way the data are available for multiple use or service purposes.

MAN 100010266
 Version: C Status: RL (released | freigegeben) printed: 2017
 For the interface adapter
 and HART

Prerequisites

8 Set up with other systems

8.1 DD adjustment programs

Device descriptions as Enhanced Device Description (EDD) are available for DD adjustment programs such as, for example, AMS™ and PDM.

8.2 Communicator 375, 475

Device descriptions for the instrument are available as DD or EDD for parameter adjustment with the Field Communicator 375 or 475.

9 Diagnosis, asset management and service

9.1 Maintenance

If the device is used correctly, no maintenance is required in normal operation.

9.2 Diagnosis memory

The instrument has several memories which are available for diagnostic purposes. The data remain even with voltage interruption.

Measured value memory

Up to 100,000 measured values can be stored in the sensor in a ring memory. Each entry contains date/time as well as the respective measured value. Storable values are for example:

- Distance
- Filling height
- Percentage value
- Lin. percent
- Scaled
- Current value
- Meas. reliability
- Electronics temperature

When the instrument is shipped, the measured value memory is active and stores distance, measurement reliability and electronics temperature every 3 minutes.

The requested values and recording conditions are set via a PC with PACTware/DTM or the control system with EDD. Data are thus read out and also reset.

Event memory

Up to 500 events are automatically stored with a time stamp in the sensor (non-deletable). Each entry contains date/time, event type, event description and value. Event types are for example:

- Modification of a parameter
- Switch-on and switch-off times
- Status messages (according to NE 107)
- Error messages (according to NE 107)

The data are read out via a PC with PACTware/DTM or the control system with EDD.

Echo curve memory

The echo curves are stored with date and time and the corresponding echo data. The memory is divided into two sections:

Echo curve of the setup: This is used as reference echo curve for the measurement conditions during setup. Changes in the measurement conditions during operation or buildup on the sensor can thus be recognized. The echo curve of the setup is stored via:

- PC with PACTware/DTM
- Control system with EDD
- Display and adjustment module

Further echo curves: Up to 10 echo curves can be stored in a ring buffer in this memory section. Further echo curves are stored via:

- PC with PACTware/DTM
- Control system with EDD

9.3 Asset Management function

The instrument features self-monitoring and diagnostics according to NE 107 and VDI/VDE 2650. In addition to the status messages in the following tables there are more detailed error messages available under the menu item "Diagnostics" via the display and adjustment module, PACTware/DTM and EDD.

The status messages are divided into the following categories:

- Failure
- Function check
- Out of specification
- Maintenance requirement

and explained by pictographs:

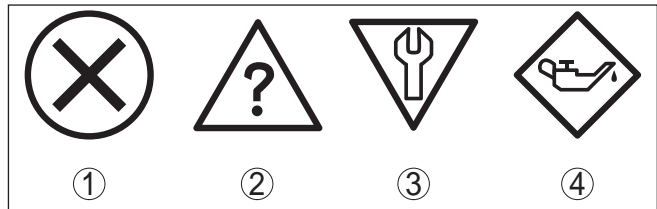


Fig. 27: Pictographs of the status messages

- 1 Failure - red
- 2 Out of specification - yellow
- 3 Function check - orange
- 4 Maintenance - blue

Failure: Due to a malfunction in the instrument, a failure message is outputted.

This status message is always active. It cannot be deactivated by the user.

Function check: The instrument is in operation, the measured value is temporarily invalid (for example during simulation).

This status message is inactive by default. It can be activated by the user via PACTware/DTM or EDD.

Out of specification: The measured value is unstable because the instrument specification is exceeded (e.g. electronics temperature).

This status message is inactive by default. It can be activated by the user via PACTware/DTM or EDD.

Maintenance: Due to external influences, the instrument function is limited. The measurement is affected, but the measured value is still valid. Plan in maintenance for the instrument because a failure is expected in the near future (e.g. due to buildup).

This status message is inactive by default. It can be activated by the user via PACTware/DTM or EDD.

The following table shows the error codes in the status message "Failure" and gives information on the reason and rectification. Keep in mind that some information is only valid with four-wire instruments.

Code Text message	Cause	Rectification
F013 no measured value available	<ul style="list-style-type: none"> - Sensor does not detect an echo during operation - Antenna system dirty or defective 	<ul style="list-style-type: none"> - Check or correct installation and/or parameter adjustment - Clean or exchange process component or antenna
F017 Adjustment span too small	<ul style="list-style-type: none"> - Adjustment not within specification 	<ul style="list-style-type: none"> - Change adjustment according to the limit values (difference between min. and max. ≥ 10 mm)
F025 Error in the linearization table	<ul style="list-style-type: none"> - Index markers are not continuously rising, for example illogical value pairs 	<ul style="list-style-type: none"> - Check linearization table - Delete table/Create new
F036 No operable software	<ul style="list-style-type: none"> - Failed or interrupted software update 	<ul style="list-style-type: none"> - Repeat software update - Check electronics version - Exchanging the electronics - Send instrument for repair
F040 Error in the electronics	<ul style="list-style-type: none"> - Hardware defect 	<ul style="list-style-type: none"> - Exchanging the electronics - Send instrument for repair
F080 General software error	<ul style="list-style-type: none"> - General software error 	<ul style="list-style-type: none"> - Disconnect operating voltage briefly
F105 Determine measured value	<ul style="list-style-type: none"> - The instrument is still in the start phase, the measured value could not yet be determined 	<ul style="list-style-type: none"> - Wait for the end of the switch-on phase - Duration depending on the version and parameter adjustment up to approximately 3 min.
F113 Communication error	<ul style="list-style-type: none"> - EMC interference - Transmission error with the external communication with 4-wire power supply unit 	<ul style="list-style-type: none"> - Remove EMC influences - Exchange 4-wire power supply unit or electronics
F125 Impermissible electronics temperature	<ul style="list-style-type: none"> - Temperature of the electronics in the non-specified range 	<ul style="list-style-type: none"> - Check ambient temperature - Isolate electronics - Use instrument with higher temperature range
F260 Error in the calibration	<ul style="list-style-type: none"> - Error in the calibration carried out in the factory - Error in the EEPROM 	<ul style="list-style-type: none"> - Exchanging the electronics - Send instrument for repair

Code Text message	Cause	Rectification
F261 Error in the instrument settings	<ul style="list-style-type: none"> - Error during setup - False signal suppression faulty - Error when carrying out a reset 	<ul style="list-style-type: none"> - Repeat setup - Carry out a reset
F264 Installation/ Setup error	<ul style="list-style-type: none"> - Adjustment not within the vessel height/measuring range - Max. measuring range of the instrument not sufficient 	<ul style="list-style-type: none"> - Check or correct installation and/or parameter adjustment - Use an instrument with bigger measuring range
F265 Measurement function disturbed	<ul style="list-style-type: none"> - Sensor no longer carries out a measurement - Operating voltage too low 	<ul style="list-style-type: none"> - Check operating voltage - Carry out a reset - Disconnect operating voltage briefly

Function check

The following table shows the error codes and text messages in the status message "*Function check*" and provides information on causes as well as corrective measures.

Code Text message	Cause	Rectification
C700 Simulation active	<ul style="list-style-type: none"> - A simulation is active 	<ul style="list-style-type: none"> - Finish simulation - Wait for the automatic end after 60 mins.

Out of specification

The following table shows the error codes and text messages in the status message "*Out of specification*" and provides information on causes as well as corrective measures.

Code Text message	Cause	Rectification
S600 Impermissible electronics temperature	<ul style="list-style-type: none"> - Temperature of the electronics in the non-specified range 	<ul style="list-style-type: none"> - Check ambient temperature - Isolate electronics - Use instrument with higher temperature range
S601 Overfilling	<ul style="list-style-type: none"> - Danger of vessel overfilling 	<ul style="list-style-type: none"> - Make sure that there is no further filling - Check level in the vessel
S603 Impermissible operating voltage	<ul style="list-style-type: none"> - Operating voltage below specified range 	<ul style="list-style-type: none"> - Check electrical connection - if necessary, increase operating voltage

Maintenance

The following table shows the error codes and text messages in the status message "*Maintenance*" and provides information on causes as well as corrective measures.

Code Text message	Cause	Rectification
M500 Error with the reset delivery status	– With the reset to delivery status, the data could not be restored	– Repeat reset – Load XML file with sensor data into the sensor
M501 Error in the non-active linearization table	– Hardware error EEPROM	– Exchanging the electronics – Send instrument for repair
M502 Error in the diagnosis memory	– Hardware error EEPROM	– Exchanging the electronics – Send instrument for repair
M503 Meas. reliability too low	– The echo/noise ratio is too small for reliable measurement	– Check installation and process conditions – Clean the antenna – Change polarisation direction – Use instrument with higher sensitivity
M504 Error on an device interface	– Hardware defect	– Check connections – Exchanging the electronics – Send instrument for repair
M505 No echo available	– Level echo can no longer be detected	– Clean the antenna – Use a more suitable antenna/sensor – Remove possible false echoes – Optimize sensor position and orientation

9.4 Rectify faults

Procedure for fault rectification

The first measures are:

- Evaluation of fault messages, for example via the display and adjustment module
- Checking the output signal
- Treatment of measurement errors

Further comprehensive diagnostics options are available with a PC with PACTware and the suitable DTM. In many cases, the reasons can be determined in this way and faults rectified.

Check the 4 ... 20 mA signal

Connect a multimeter in the suitable measuring range according to the wiring plan. The following table describes possible errors in the current signal and helps to remove them:

MAN 1000102666 ML Version: C 1.0 Status: RL (released | freigegeben) printed: 22.09.2017

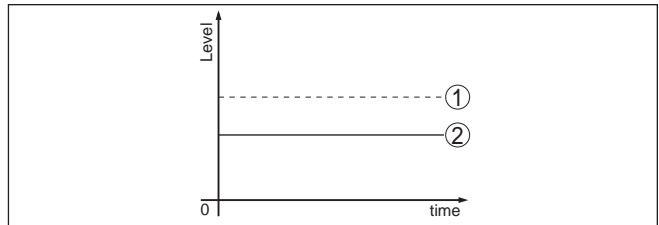
Treatment of measurement errors with liquids

Error	Cause	Rectification
4 ... 20 mA signal not stable	- Fluctuations of the measured variable	- Set damping according to the instrument via the display and adjustment module or PACTware/DTM
4 ... 20 mA signal missing	- Electrical connection faulty	- Check connection according to chapter "Connection steps" and if necessary, correct according to chapter "Wiring plan"
	- Voltage supply missing	- Check cables for breaks; repair if necessary
	- Operating voltage too low or load resistance too high	- Check, adapt if necessary
Current signal greater than 22 mA or less than 3.6 mA	- Electronics module in the sensor defective	- Exchange the instrument or send it in for repair

The below tables show typical examples of application-related measurement errors with liquids. The measurement errors are differentiated according to the following:

- Constant level
- Filling
- Emptying

The images in column "Error pattern" show the real level with a broken line and the level displayed by the sensor as a continuous line.



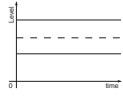
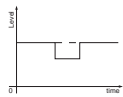
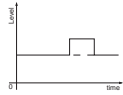
- 1 Real level
- 2 Level displayed by the sensor

Notes:

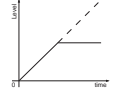
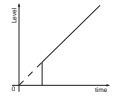
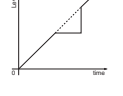
- Wherever the sensor displays a constant value, the reason could also be the fault setting of the current output to "Hold value"
- If the level indication is too low, the reason could be a line resistance that is too high

41783-EN-141205


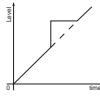
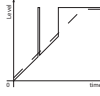
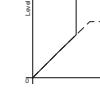
Measurement error with constant level

Fault description	Error pattern	Cause	Rectification
1. Measured value shows a too low or too high level		<ul style="list-style-type: none"> – Min./max. adjustment not correct – Incorrect linearization curve – Installation in a bypass tube or standpipe, hence running time error (small measurement error close to 100 %/large error close to 0 %) 	<ul style="list-style-type: none"> – Adapt min./max. adjustment – Adapt linearization curve – Check parameter "Application" with respect to vessel form, adapt if necessary (bypass, standpipe, diameter)
2. Measured value jumps towards 0 %		<ul style="list-style-type: none"> – Multiple echo (vessel top, product surface) with amplitude higher than the level echo 	<ul style="list-style-type: none"> – Check parameter "Application", especially vessel top, type of medium, dished bottom, high dielectric constant, and adapt if necessary
3. Measured value jumps towards 100 %		<ul style="list-style-type: none"> – Due to the process, the amplitude of the level echo sinks – A false signal suppression was not carried out – Amplitude or position of a false signal has changed (e.g. condensation, buildup); false signal suppression no longer matches actual conditions 	<ul style="list-style-type: none"> – Carry out a false signal suppression – Determine the reason for the changed false signals, carry out false signal suppression, e.g. with condensation

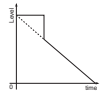

Measurement error during filling

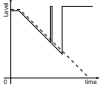
Fault description	Error pattern	Cause	Rectification
4. Measured value remains unchanged during filling		<ul style="list-style-type: none"> – False signals in the close range too big or level echo too small – Strong foam or spout generation – Max. adjustment not correct 	<ul style="list-style-type: none"> – Eliminate false signals in the close range – Check measurement situation: Antenna must protrude out of the socket, installations – Remove contamination on the antenna – In case of interferences due to installations in the close range: Change polarisation direction – Create a new false signal suppression – Adapt max. adjustment
5. Measured value remains in the bottom section during filling		<ul style="list-style-type: none"> – Echo from the tank bottom larger than the level echo, for example, with products with $\epsilon_r < 2.5$ oil-based, solvents 	<ul style="list-style-type: none"> – Check parameters Medium, Vessel height and Floor form, adapt if necessary
6. Measured value remains momentarily unchanged during filling and then jumps to the correct level		<ul style="list-style-type: none"> – Turbulence on the product surface, quick filling 	<ul style="list-style-type: none"> – Check parameters, change if necessary, e.g. in dosing vessel, reactor

41783-EN-141205

Fault description	Error pattern	Cause	Rectification
7. Measured value jumps towards 0 % during filling		<ul style="list-style-type: none"> Amplitude of a multiple echo (vessel top - product surface) is larger than the level echo 	<ul style="list-style-type: none"> Check parameter "Application", especially vessel top, type of medium, dished bottom, high dielectric constant, and adapt if necessary
8. Measured value jumps towards 100 % during filling		<ul style="list-style-type: none"> Due to strong turbulence and foam generation during filling, the amplitude of the level echo sinks. Measured value jumps to the false signal 	<ul style="list-style-type: none"> Carry out a false signal suppression
9. Measured value jumps sporadically to 0 % during filling		<ul style="list-style-type: none"> Varying condensation or contamination on the antenna 	<ul style="list-style-type: none"> Carry out a false signal suppression or increase false signal suppression with condensation/contamination in the close range by editing
10. Measured value jumps to ≥ 100 % or 0 % distance		<ul style="list-style-type: none"> Level echo is no longer detected in the close range due to foam generation or false signals in the close range. The sensor goes into overflow protection mode. The max. level (0 m distance) as well as the status message "Overflow protection" are outputted. 	<ul style="list-style-type: none"> Check measuring site: Antenna must protrude out of the socket Remove contamination on the antenna Use a sensor with a more suitable antenna

Measurement error during emptying

Fault description	Error pattern	Cause	Rectification
11. Measured value remains unchanged in the close range during emptying		<ul style="list-style-type: none"> False signal larger than the level echo Level echo too small 	<ul style="list-style-type: none"> Eliminate false signal in the close range. Check: Antenna must protrude from the socket Remove contamination on the antenna In case of interferences due to installations in the close range: Change polarisation direction After removing the false signals, the false signal suppression must be deleted. Carry out a new false signal suppression
12. Measured value jumps towards 0 % during emptying		<ul style="list-style-type: none"> Echo from the tank bottom larger than the level echo, for example, with products with $\epsilon_r < 2.5$ oil-based, solvents 	<ul style="list-style-type: none"> Check parameters Type of medium, Vessel height and Floor form, adapt if necessary

Fault description	Error pattern	Cause	Rectification
Measured value jumps sporadically towards 100 % during emptying		- Varying condensation or contamination on the antenna	- Carry out false signal suppression or increase false signal suppression in the close range by editing - With bulk solids, use radar sensor with purging air connection

Reaction after fault rectification

Depending on the reason for the fault and the measures taken, the steps described in chapter "Setup" must be carried out again or must be checked for plausibility and completeness.

9.5 Exchanging the electronics module

If the electronics module is defective, it can be replaced by the user.



In Ex applications, only instruments and electronics modules with appropriate Ex approval may be used.

If there is no electronics module available on site, one can be ordered from the agency serving you.

9.6 How to proceed if a repair is needed

If it is necessary to repair the instrument, please contact the agency serving you.

MAN 1000102666 ML Version: C Status: RL (released | freigegeben) | Printed: 2019-07-17

10 Dismount

10.1 Dismounting steps



Warning:

Before dismounting, be aware of dangerous process conditions such as e.g. pressure in the vessel or pipeline, high temperatures, corrosive or toxic products etc.

Take note of chapters "*Mounting*" and "*Connecting to power supply*" and carry out the listed steps in reverse order.

10.2 Disposal

The instrument consists of materials which can be recycled by specialised recycling companies. We use recyclable materials and have designed the parts to be easily separable.

Correct disposal avoids negative effects on humans and the environment and ensures recycling of useful raw materials.

Materials: see chapter "*Technical data*"

If you have no way to dispose of the old instrument properly, please contact us concerning return and disposal.

WEEE directive 2002/96/EG

This instrument is not subject to the WEEE directive 2002/96/EG and the respective national laws. Pass the instrument directly on to a specialised recycling company and do not use the municipal collecting points. These may be used only for privately used products according to the WEEE directive.

11 Supplement

11.1 Technical data

General data

316L corresponds to 1.4404 or 1.4435

Materials, wetted parts with encapsulated antenna system

Process fitting	PVDF, 316L
Process seal	FKM (IDG FKM 13-75)
Antenna	PVDF

Materials, wetted parts with plastic horn antenna

Adapter flange	PP-GF30 schwarz
Seal, adapter flange	FKM (COG VI500), EPDM (COG AP310)
Antenna	PBT-GF 30
Focussing lense	PP

Materials, non-wetted parts

Compression flange	PP-GF30 schwarz
Mounting strap	316L
Fixing screws, mounting strap	316L
Fixing screws, adapter flange	304
Housing	plastic PBT (Polyester), 316L
Seal between housing and housing cover	Silicone
Inspection window in housing cover (optional)	Polycarbonate
Ground terminal	316L
Process fittings	
Pipe thread, cylindrical (ISO 228 T1)	G1½
American pipe thread, conically	1½ NPT
- Flanges	DIN from DN 80, ASME from 3", JIS from DN 100 10K
- Hygienic fittings	Clamp, slotted nut according to DIN 11851, Tuchenha-gen Varivent

Weight depending on process fitting and housing material 0.7 ... 3.4 kg (1.543 ... 7.496 lbs)

Max. torque, mounting screws - strap on the sensor housing 4 Nm

Max. torque flange screws

- Compression flange DN 80	5 Nm (3.689 lbf ft)
- Adapter flange DN 100	7 Nm (5.163 lbf ft)

Max. torque for NPT cable glands and Conduit tubes

- Plastic housing	10 Nm (7.376 lbf ft)
- Aluminium/Stainless steel housing	50 Nm (36.88 lbf ft)

41783-EN-141205

Input variable

Measured variable

The measured quantity is the distance between process fitting of the sensor and product surface. The reference plane is the seal surface on the hexagon or the lower side of the flange.

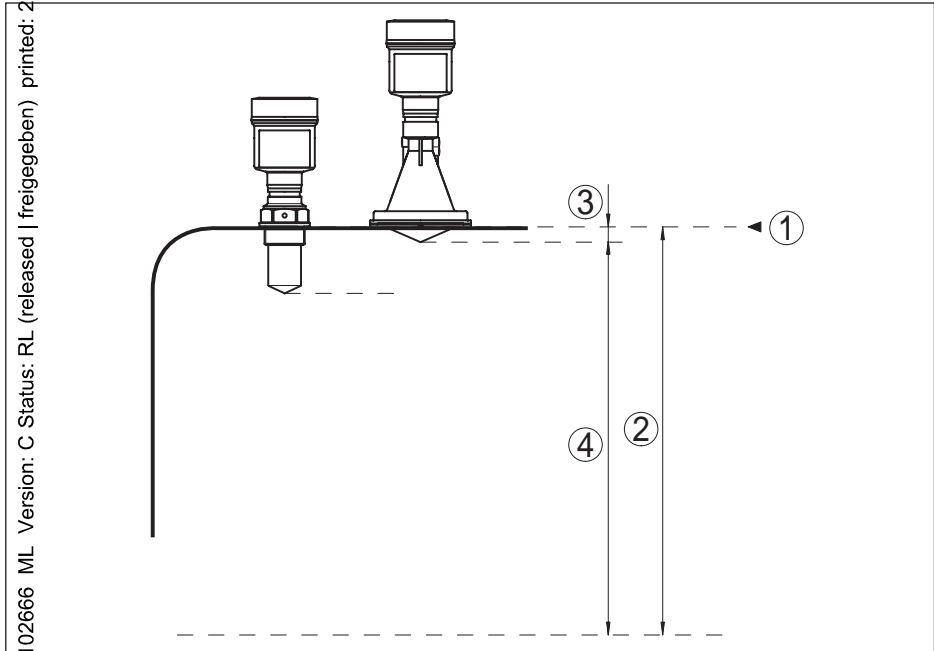


Fig. 42: Data of the input variable

- 1 Reference plane
 2 Measured variable, max. measuring range
 3 Antenna length
 4 Useful measuring range

Standard electronics

Max. measuring range	35 m (114.8 ft)
Recommended measuring range	
– Encapsulated antenna system	up to 10 m (32.81 ft)
– Plastic horn antenna	up to 20 m (65.62 ft)

Electronics with increased sensitivity

Max. measuring range	35 m (114.8 ft)
Recommended measuring range	
– Encapsulated antenna system	up to 10 m (32.81 ft)
– Plastic horn antenna	up to 20 m (65.62 ft)

Output variable

Output signal	4 ... 20 mA/HART
---------------	------------------

102666 ML Version: C Status: RL (released | freigegeben) printed: 22.09.2017

Range of the output signal	3.8 ... 20.5 mA/HART (default setting)
Signal resolution	0.3 μ A
Resolution, digital	< 1 mm (0.039 in)
Failure signal current output (adjustable)	mA-value unchanged 20.5 mA, 22 mA, < 3.6 mA
Max. output current	22 mA
Starting current	\leq 3.6 mA; \leq 10 mA for 5 ms after switching on
Load	see load diagram under Power supply
Damping (63 % of the input variable), adjustable	0 ... 999 s
HART output values according to HART 7.0 ¹⁾	
PV (Primary Value)	Lin. percent
SV (Secondary Value)	Distance
TV (Third Value)	Meas. reliability
QV (Fourth Value)	Electronics temperature
Filled HART specification	7.0
Further information on Manufacturer ID, Device ID, Device Revision	See website of HART Communication Foundation

Accuracy (according to DIN EN 60770-1)

Process reference conditions according to DIN EN 61298-1	
Temperature	+18 ... +30 °C (+64 ... +86 °F)
Relative humidity	45 ... 75 %
Air pressure	860 ... 1060 mbar/86 ... 106 kPa (12.5 ... 15.4 psig)
Installation reference conditions	
Min. distance to internal installations	> 200 mm (7.874 in)
Reflector	Flat plate reflector
False reflections	Biggest false signal, 20 dB smaller than the useful signal
Deviation with liquids	See following diagrams

¹⁾ Default values, can be assigned individually

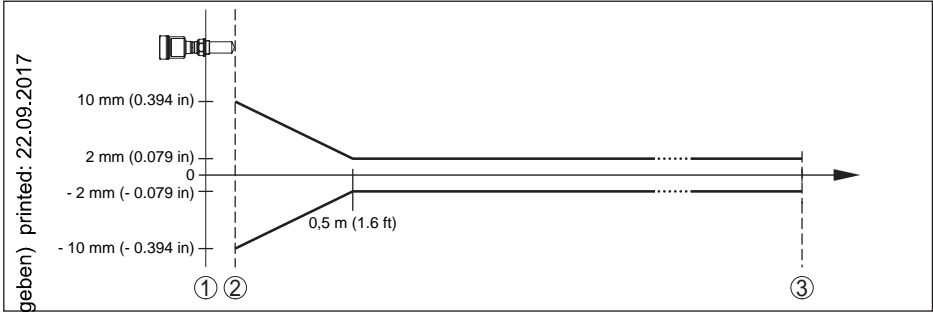


Fig. 43: Deviation under reference conditions - encapsulated antenna system

- 1 Reference plane
- 2 Antenna edge
- 3 Recommended measuring range

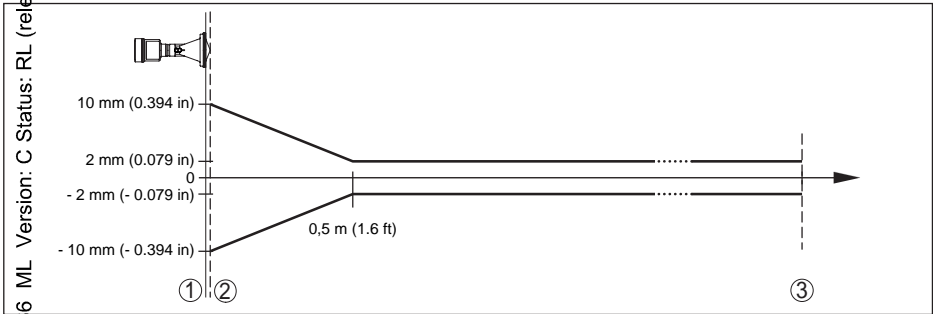


Fig. 44: Deviation under reference conditions - plastic horn antenna

- 1 Reference plane
- 2 Antenna edge
- 3 Recommended measuring range

Repeatability $\leq \pm 1 \text{ mm}$

Deviation with bulk solids The values depend to a great extent on the application. Binding specifications are thus not possible.

Variables influencing measurement accuracy

Specifications apply to the digital measured value

Temperature drift - Digital output $\pm 3 \text{ mm}/10 \text{ K}$, max. 10 mm

Additional deviation through electromagnetic interference acc. to EN 61326 $< \pm 50 \text{ mm}$

Specifications apply also to the current output

Temperature drift - Current output $\pm 0.03 \text{ \%}/10 \text{ K}$ relating to the 16 mA span max. $\pm 0.3 \text{ \%}$

Deviation on the current output through analogue/digital conversion $< \pm 15 \text{ }\mu\text{A}$

Deviation on the current output due to strong, high frequency electromagnetic fields acc. to EN 61326 $< \pm 150 \text{ }\mu\text{A}$

ML Version: C Status: RL (released) | 100010266 | freigegeben | printed: 22.09.2017

Characteristics and performance data

Measuring frequency	K-band (26 GHz technology)
Measuring cycle time	
Standard electronics approx.	450 ms
Electronics with increased sensitivity approx.	700 ms
Stop response time ²⁾	≤ 3 s
Beam angle ³⁾	
Encapsulated antenna system	22°
Plastic horn antenna	10°
Emitted HF power (depending on the parameter adjustment) ⁴⁾	
Average spectral transmission power density	-14 dBm/MHz EIRP
Max. spectral transmission power density	+43 dBm/50 MHz EIRP
Max. power density at a distance of 1 m	< 1 μW/cm ²

Ambient conditions

Ambient, storage and transport temperature	-40 ... +80 °C (-40 ... +176 °F)
--	----------------------------------

Process conditions

For the process conditions, please also note the specifications on the type label. The lower value always applies.

Process pressure	
Encapsulated antenna system	-1 ... 3 bar (-100 ... 300 kPa/-14.5 ... 43.5 psi)
Plastic horn antenna	-1 ... 2 bar (-100 ... 200 kPa/-14.5 ... 29.0 psig)
Version with adapter flange from DN100 PP or PP-GF 30	-1 ... 1 bar (-100 ... 100 kPa/-14.5 ... 14.5 psig)
Process temperature (measured on the process fitting)	-40 ... +80 °C (-40 ... +176 °F)
Vibration resistance	
– With adapter flange	2 g at 5 ... 200 Hz according to EN 60068-2-6 (vibration with resonance)
– with mounting strap	1 g at 5 ... 200 Hz according to EN 60068-2-6 (vibration with resonance)
Shock resistance	100 g, 6 ms according to EN 60068-2-27 (mechanical shock)

²⁾ Time span after a sudden measuring distance change by max. 0.5 m in liquid applications, max 2 m with bulk solids applications, until the output signal has taken for the first time 90 % of the final value (IEC 61298-2).

³⁾ Outside the specified beam angle, the energy of the radar signal is reduced by 50 % (-3 dB)

⁴⁾ EIRP: Equivalent Isotropic Radiated Power

Electromechanical data - version IP 66/IP 67 and IP 66/IP 68; 0.2 bar

Cable gland	M20 x 1.5 or ½ NPT
Wire cross-section (spring-loaded terminals)	
– Massive wire, stranded wire	0.2 ... 2.5 mm ² (AWG 24 ... 14)
– Stranded wire with end sleeve	0.2 ... 1.5 mm ² (AWG 24 ... 16)

Display and adjustment module

Display element	Display with backlight
Measured value indication	
– Number of digits	5
– Size of digits	W x H = 7 x 13 mm
Adjustment elements	4 keys
Protection rating	
– Unassembled	IP 20
– Mounted in the housing without lid	IP 40
Materials	
– Housing	ABS
– Inspection window	Polyester foil

Integrated clock

Date format	Day.Month.Year
Time format	12 h/24 h
Time zone Ex factory	CET
Time deviation max.	10.5 min/year

Measurement electronics temperature

Resolution	0.1 °C (1.8 °F)
Accuracy	±1 °C (1.8 °F)
Permissible temperature range	-40 ... +85 °C (-40 ... +185 °F)

Voltage supply

Operating voltage U _B	
– Non-Ex instrument	9.6 ... 36 V DC
– Ex-ia instrument	9.6 ... 30 V DC
Operating voltage U _B - illuminated display and adjustment module	
– Non-Ex instrument	16 ... 36 V DC
– Ex-ia instrument	16 ... 30 V DC
Reverse voltage protection	Integrated
Permissible residual ripple - Non-Ex, Ex-ia instrument	
– for 9.6 V < U _B < 14 V	≤ 0.7 V _{eff} (16 ... 400 Hz)
– for 18 V < U _B < 36 V	≤ 1.0 V _{eff} (16 ... 400 Hz)

Load resistor

Calculation	$(U_B - U_{min})/0.022 A$
Example - Non-Ex instrument with $U_B = 24 V DC$	$(24 V - 9.6 V)/0.022 A = 655 \Omega$

Electrical protective measures

Protection rating	IP 66/IP 67 (NEMA 4X)
Overvoltage category	III ⁵⁾
Protection class	III ⁶⁾

Approvals

Instruments with approvals can have deviating technical data (depending on the version). For such instruments, the corresponding approval documents must be noted.

1.2 Dimensions

Plastic housing

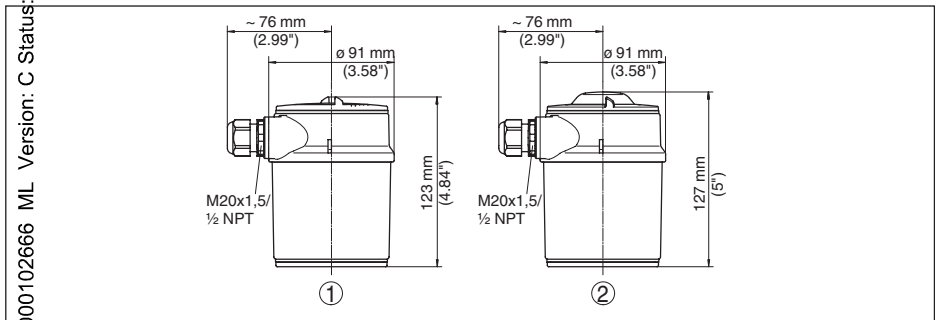


Fig. 45: Housing versions in protection IP 66/IP 68 (0.2 bar) - with integrated display and adjustment module the housing is 9 mm/0.35 in higher

- 1 Housing without display and adjustment module
- 2 Housing with transparent cover for display and adjustment module

⁵⁾ IEC 61010-1
⁶⁾ IEC 61010-1

LEVEL TRANSMITTER 8136, threaded version

MAN 1000102666 ML Version: C Status: RL (released | freigegeben) printed: 22.09.2017

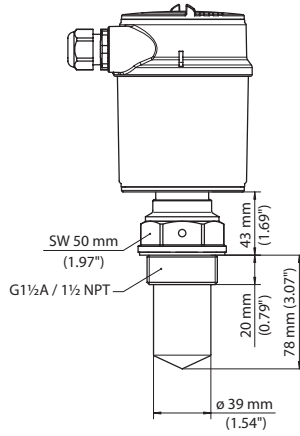


Fig. 46: LEVEL TRANSMITTER 8136, threaded version G1½ and 1½ NPT

LEVEL TRANSMITTER 8136, hygienic fitting

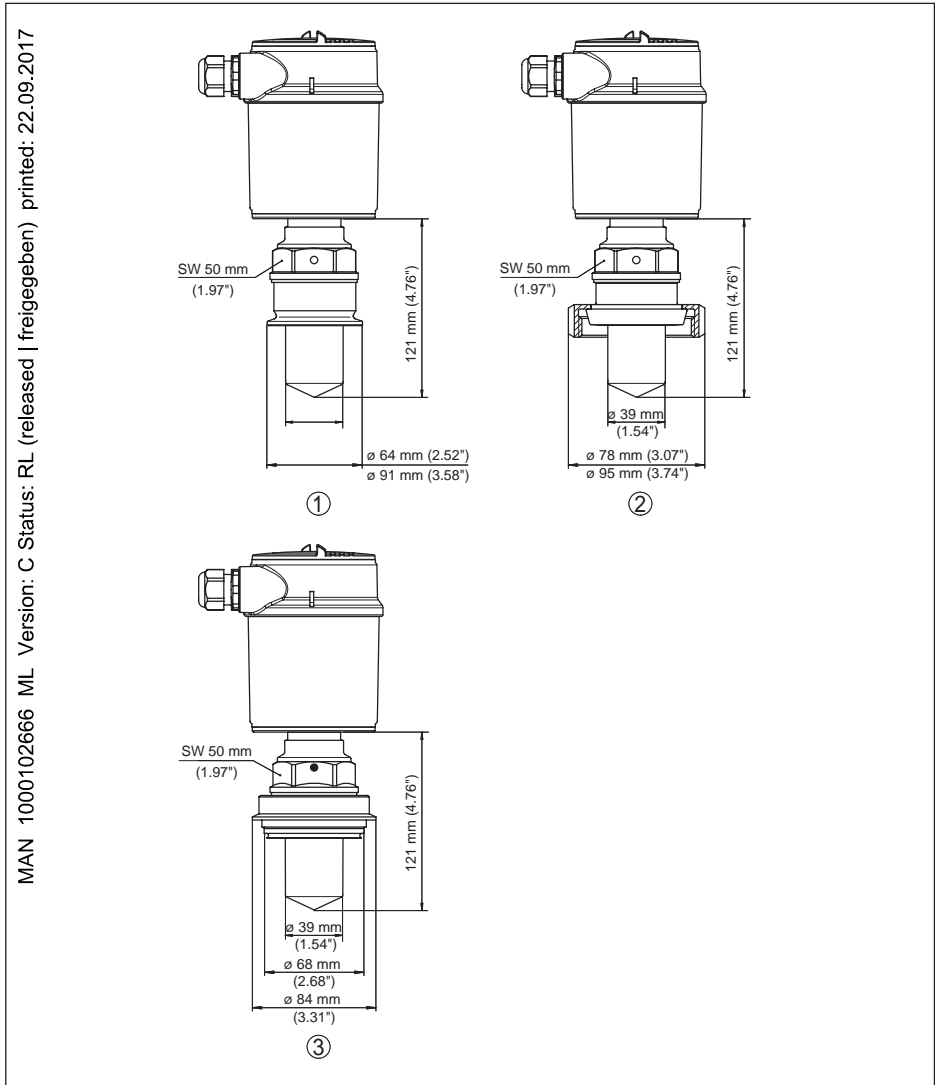


Fig. 47: LEVEL TRANSMITTER 8136, hygienic fitting

- 1 Clamp 2" ($\varnothing 64$ mm) and 3" ($\varnothing 91$ mm) PN 16 DIN 32676, ISO 2852/316L
- 2 Slotted nut according to DIN 11851 DN 50 and DN 80
- 3 Tuchenhagen Varivent DN 32

LEVEL TRANSMITTER 8136, version with mounting strap

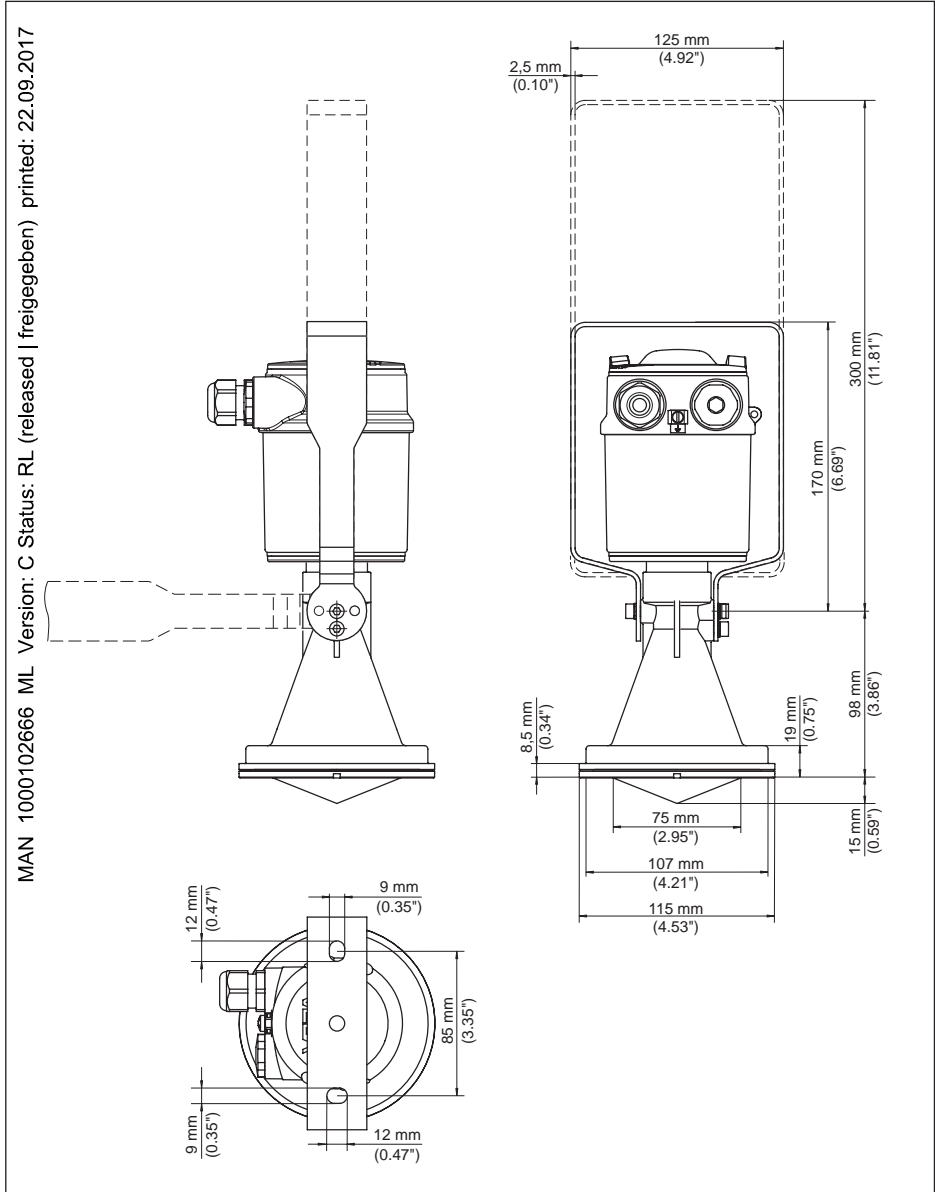


Fig. 48: LEVEL TRANSMITTER 8136, mounting strap in 170 or 300 mm length

LEVEL TRANSMITTER 8136, version with mounting strap and reflector

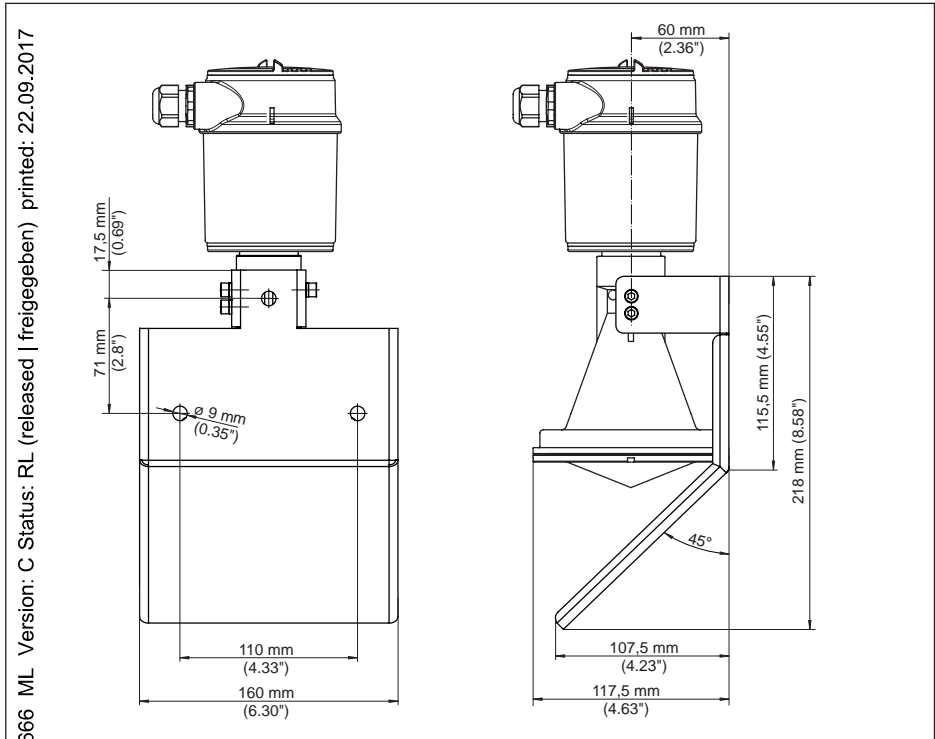


Fig. 49: LEVEL TRANSMITTER 8136, mounting strap and reflector

MAN 1000192666 ML Version: C Status: RL (released | freigegeben) printed: 22.09.2017

LEVEL TRANSMITTER 8136, version with compression flange

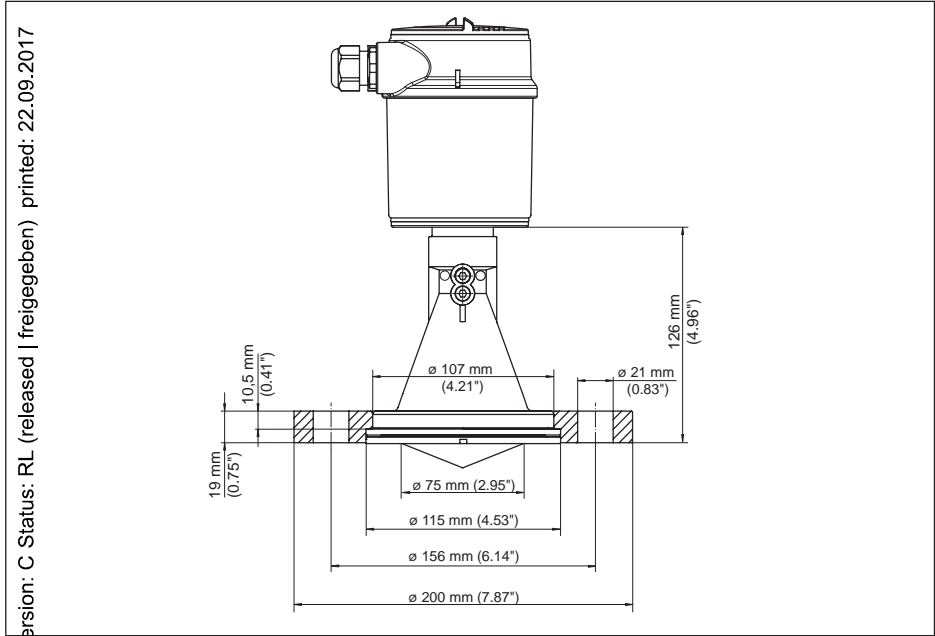


Fig. 50: LEVEL TRANSMITTER 8136, compression flange suitable for DN 80 PN 16/ASME 3" 150lbs/JIS80 10K

MAN 1000102666 MLG version: C Status: RL (released | freigegeben) printed: 22.09.2017

LEVEL TRANSMITTER 8136, version with adapter flange

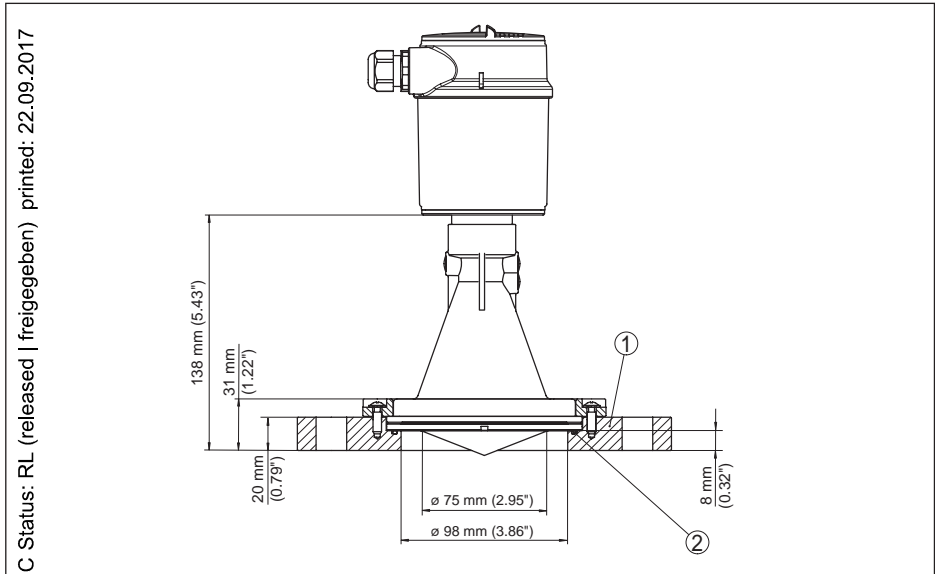


Fig. 51: LEVEL TRANSMITTER 8136, adapter flange

- 1 Adapter flange
- 2 Seal

MAN 1000102666 ML

11.3 Trademark

All the brands as well as trade and company names used are property of their lawful proprietor/originator.

MAN 1000102666 ML Version: C Status: RL (released | freigegeben) printed: 22.09.2017

INDEX

A

- Accessories
 - Display and adjustment module 9
- Adjustment 38, 39
- Adjusters 17
- Application
 - Bulk solid 36
 - Liquid 32
 - Standpipe 32

C

- Check output signal 51
- Connecting
 - Electrically 26
- Connection
 - Cable 25
 - RL Steps 26
 - Technology 26
- Curve indication
 - Echo curve 40
 - False signal suppression 40

D

- Deviation
 - (Device Description) 46
- Default values 43
- Deviation 52

E

- Echo curve memory 47
- Echo curve of the setup 40
- EDD (Enhanced Device Description) 46
- Electronics and terminal compartment, single chamber housing 27
- Error codes 50
- Event memory 47

F

- False signal suppression 41
- Fault rectification 51
- Flow measurement 23, 24
- Foam generation 18
- Functional principle 8

G

- Grounding 25, 26

I

- Inflowing medium 14
- Installation position 13

L

- Linearisation curve 42

M

- Main menu 31
- Meas. reliability 40
- Measured value memory 47
- Measurement in a surge pipe 18
- Measurement in the bypass tube 21

N

- NAMUR NE 107 49, 50

O

- Operation
 - System 30
- Overflow protection according to WHG 42

P

- Peak value indicator 40
- Polarisation 12

R

- Reflection properties 31
- Replacement parts
 - Electronics module 9
- Reset 42

S

- Sensor orientation 17
- Shielding 25, 26
- Socket 14, 16
- Status messages - NAMUR NE 107 48

T

- Type label 7

V

- Vessel form 37
- Vessel height 37
- Vessel installations 17

MAN 1000102666 ML Version: C Status: RL (released | freigegeben) printed: 22.09.2017

The smart choice
of Fluid Control Systems
www.burkert.com

burkert
FLUID CONTROL SYSTEMS

41783-EN-141205

Bedienungsanleitung



**LEVEL TRANSMITTER
8136**

4 ... 20 mA/HART - Zweileiter

Inhaltsverzeichnis

1	Zu diesem Dokument	
1.1	Funktion	4
1.2	Zielgruppe	4
1.3	Verwendete Symbolik	4
2	Zu Ihrer Sicherheit	
2.1	Autorisiertes Personal	5
2.2	Bestimmungsgemäße Verwendung	5
2.3	Warnung vor Fehlgebrauch	5
2.4	Allgemeine Sicherheitshinweise	5
2.5	CE-Konformität	6
2.6	NAMUR-Empfehlungen	6
2.7	Funktechnische Zulassung für Europa	6
2.8	Funktechnische Zulassung für USA/Kanada	6
3	Produktbeschreibung	
3.1	Aufbau	7
3.2	Arbeitsweise	8
3.3	Verpackung, Transport und Lagerung	8
3.4	Zubehör und Ersatzteile	9
4	Montieren	
4.1	Allgemeine Hinweise	10
4.2	Überwurf- oder Adapterflansch	10
4.3	Montagevorbereitungen Montagebügel	11
4.4	Montagehinweise	12
4.5	Messanordnungen - Rohre	18
4.6	Messanordnungen - Durchfluss	23
5	An die Spannungsversorgung anschließen	
5.1	Anschluss vorbereiten	25
5.2	Anschließen	26
5.3	Anschlussplan	27
5.4	Einschaltphase	28
6	In Betrieb nehmen mit dem Anzeige- und Bedienmodul	
6.1	Anzeige- und Bedienmodul einsetzen	29
6.2	Bediensystem	30
6.3	Parametrierung	30
6.4	Sicherung der Parametrierdaten	45
7	In Betrieb nehmen mit PACTware	
7.1	Den PC anschließen	46
7.2	Parametrierung mit PACTware	46
7.3	Sicherung der Parametrierdaten	46
8	In Betrieb nehmen mit anderen Systemen	
8.1	DD-Bedienprogramme	47
8.2	Communicator 375, 475	47
9	Diagnose, Asset Management und Service	
9.1	Wartung	48
9.2	Diagnosespeicher	48

MAN 1000102666 ML Version: C Status: RL (released | freigegeben) | Printed: 2009.2017

9.3	Asset-Management-Funktion	49
9.4	Störungen beseitigen	53
9.5	Elektronikeinsatz tauschen.....	56
9.6	Vorgehen im Reparaturfall.....	56
10 Ausbauen		
10.1	Ausbauschritte	57
10.2	Entsorgen.....	57
11 Anhang		
11.1	Technische Daten.....	58
11.2	Maße.....	64

41783-DE-141202



Sicherheitshinweise für Ex-Bereiche

Beachten Sie bei Ex-Anwendungen die Ex-spezifischen Sicherheitshinweise. Diese liegen jedem Gerät mit Ex-Zulassung als Dokument bei und sind Bestandteil der Betriebsanleitung.

Redaktionsstand: 2014-12-02

1 Zu diesem Dokument

1.1 Funktion

Die vorliegende Betriebsanleitung liefert Ihnen die erforderlichen Informationen für Montage, Anschluss und Inbetriebnahme sowie wichtige Hinweise für Wartung und Störungsbeseitigung. Lesen Sie diese deshalb vor der Inbetriebnahme und bewahren Sie sie als Produktbestandteil in unmittelbarer Nähe des Gerätes jederzeit zugänglich auf.

1.2 Zielgruppe

Diese Betriebsanleitung richtet sich an ausgebildetes Fachpersonal. Der Inhalt dieser Anleitung muss dem Fachpersonal zugänglich gemacht und umgesetzt werden.

1.3 Verwendete Symbolik



Information, Tipp, Hinweis

Dieses Symbol kennzeichnet hilfreiche Zusatzinformationen.



Vorsicht: Bei Nichtbeachten dieses Warnhinweises können Störungen oder Fehlfunktionen die Folge sein.



Warnung: Bei Nichtbeachten dieses Warnhinweises kann ein Personenschaden und/oder ein schwerer Geräteschaden die Folge sein.



Gefahr: Bei Nichtbeachten dieses Warnhinweises kann eine ernsthafte Verletzung von Personen und/oder eine Zerstörung des Gerätes die Folge sein.



Ex-Anwendungen

Dieses Symbol kennzeichnet besondere Hinweise für Ex-Anwendungen.



Liste

Der vorangestellte Punkt kennzeichnet eine Liste ohne zwingende Reihenfolge.



Handlungsschritt

Dieser Pfeil kennzeichnet einen einzelnen Handlungsschritt.



Handlungsfolge

Vorangestellte Zahlen kennzeichnen aufeinander folgende Handlungsschritte.



Batterieentsorgung

Dieses Symbol kennzeichnet besondere Hinweise zur Entsorgung von Batterien und Akkus.

2 Zu Ihrer Sicherheit

2.1 Autorisiertes Personal

Sämtliche in dieser Betriebsanleitung beschriebenen Handhabungen dürfen nur durch ausgebildetes und vom Anlagenbetreiber autorisiertes Fachpersonal durchgeführt werden.

Bei Arbeiten am und mit dem Gerät ist immer die erforderliche persönliche Schutzausrüstung zu tragen.

2.2 Bestimmungsgemäße Verwendung

Der LEVEL TRANSMITTER 8136 ist ein Sensor zur kontinuierlichen Füllstandmessung.

Detaillierte Angaben zum Anwendungsbereich finden Sie in Kapitel "*Produktbeschreibung*".

Die Betriebssicherheit des Gerätes ist nur bei bestimmungsgemäßer Verwendung entsprechend den Angaben in der Betriebsanleitung sowie in den evtl. ergänzenden Anleitungen gegeben.

2.3 Warnung vor Fehlgebrauch

Bei nicht sachgerechter oder nicht bestimmungsgemäßer Verwendung können von diesem Gerät anwendungsspezifische Gefahren ausgehen, so z. B. ein Überlauf des Behälters oder Schäden an Anlagenteilen durch falsche Montage oder Einstellung.

2.4 Allgemeine Sicherheitshinweise

Das Gerät entspricht dem Stand der Technik unter Beachtung der üblichen Vorschriften und Richtlinien. Es darf nur in technisch einwandfreiem und betriebssicherem Zustand betrieben werden. Der Betreiber ist für den störungsfreien Betrieb des Gerätes verantwortlich.

Der Betreiber ist ferner verpflichtet, während der gesamten Einsatzdauer die Übereinstimmung der erforderlichen Arbeitssicherheitsmaßnahmen mit dem aktuellen Stand der jeweils geltenden Regelwerke festzustellen und neue Vorschriften zu beachten.

Durch den Anwender sind die Sicherheitshinweise in dieser Betriebsanleitung, die landesspezifischen Installationsstandards sowie die geltenden Sicherheitsbestimmungen und Unfallverhütungsvorschriften zu beachten.

Eingriffe über die in der Betriebsanleitung beschriebenen Handhabungen hinaus dürfen aus Sicherheits- und Gewährleistungsgründen nur durch vom Hersteller autorisiertes Personal vorgenommen werden. Eigenmächtige Umbauten oder Veränderungen sind ausdrücklich untersagt.

Weiterhin sind die auf dem Gerät angebrachten Sicherheitskennzeichen und -hinweise zu beachten.

Die Sendefrequenzen der Radarsensoren liegen je nach Geräteausführung im C-, K- oder W-Bandbereich. Die geringen Sendeleistungen liegen weit unter den international zugelassenen Grenzwerten.

Bei bestimmungsgemäßem Gebrauch sind keinerlei gesundheitliche Beeinträchtigungen zu erwarten.

2.5 CE-Konformität

Das Gerät erfüllt die gesetzlichen Anforderungen der zutreffenden EG-Richtlinien. Mit dem CE-Zeichen bestätigen wir die erfolgreiche Prüfung.

2.6 NAMUR-Empfehlungen

Die NAMUR ist die Interessengemeinschaft Automatisierungstechnik in der Prozessindustrie in Deutschland. Die herausgegebenen NAMUR-Empfehlungen gelten als Standards in der Feldinstrumentierung.

Das Gerät erfüllt die Anforderungen folgender NAMUR-Empfehlungen:

- NE 21 – Elektromagnetische Verträglichkeit von Betriebsmitteln
- NE 43 – Signalpegel für die Ausfallinformation von Messumformern
- NE 53 – Kompatibilität von Feldgeräten und Anzeige-/Bedienkomponenten
- NE 107 – Selbstüberwachung und Diagnose von Feldgeräten

Weitere Informationen siehe www.namur.de.

2.7 Funktechnische Zulassung für Europa

Das Gerät ist gemäß EN 302372-1/2 (2006-04) für den Einsatz in geschlossenen Behältern zugelassen.

2.8 Funktechnische Zulassung für USA/Kanada

Dieses Gerät ist konform zu Teil 15 der FCC-Vorschriften. Für den Betrieb sind die folgenden beiden Bestimmungen zu beachten:

- Das Gerät darf keine Störemissionen verursachen
- Das Gerät muss unempfindlich gegen Störimmissionen sein, auch gegen solche, die unerwünschte Betriebszustände verursachen

Vom Hersteller nicht ausdrücklich genehmigte Änderungen führen zum Erlöschen der Betriebserlaubnis nach FCC/IC.

Das Gerät ist konform zu RSS-210 der IC-Vorschriften.

Das Gerät darf nur in geschlossenen Behältern aus Metall, Beton oder glasfaserverstärktem Kunststoff betrieben werden.

3 Produktbeschreibung

3.1 Aufbau

Das Typschild enthält die wichtigsten Daten zur Identifikation und zum Einsatz des Gerätes:

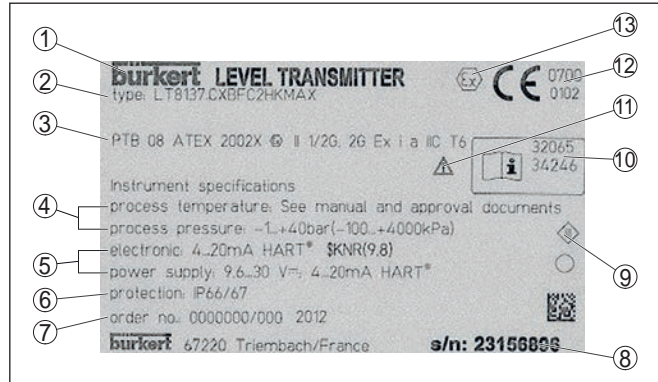


Abb. 1: Aufbau des Typschildes (Beispiel)

- 1 Gerätetyp
- 2 Produktcode
- 3 Zulassungen
- 4 Prozess- und Umgebungstemperatur, Prozessdruck
- 5 Signalausgang Elektronik, Spannungsversorgung
- 6 Schutzart
- 7 Auftragsnummer
- 8 Seriennummer des Gerätes
- 9 Symbol für Geräteschutzklasse
- 10 ID-Nummern Gerätedokumentation
- 11 Hinweis zur Beachtung der Gerätedokumentation
- 12 Notifizierte Stelle für die CE-Kennzeichnung
- 13 Zulassungsrichtlinie

Geltungsbereich dieser Betriebsanleitung

Die vorliegende Betriebsanleitung gilt für folgende Geräteausführungen:

- Hardwareversion ab 2.1.0
- Softwareversion ab 4.5.1

Lieferumfang

Der Lieferumfang besteht aus:

- Radarsensor
- Dokumentation
 - Dieser Betriebsanleitung
 - Prüfzertifikat Messgenauigkeit (optional)
 - Betriebsanleitung "Anzeige- und Bedienmodul" (optional)
 - Zusatzanleitung "GSM/GPRS-Funkmodul" (optional)
 - Zusatzanleitung "Heizung für Anzeige- und Bedienmodul" (optional)
 - Zusatzanleitung "Steckverbinder für kontinuierlich messende Sensoren" (optional)

- Ex-spezifischen "Sicherheitshinweisen" (bei Ex-Ausführungen)
- Ggf. weiteren Bescheinigungen
- DVD "Software & Documents", darin enthalten
 - Betriebsanleitungen
 - Sicherheitshinweise
 - PACTware/DTM-Collection
 - Treibersoftware

Anwendungsbereich

3.2 Arbeitsweise

Der LEVEL TRANSMITTER 8136 ist ein Radarsensor zur kontinuierlichen Füllstandmessung von Flüssigkeiten unter einfachen Prozessbedingungen.

Je nach Einsatzbereich werden unterschiedliche Ausführungen verwendet:

- Füllstandmessung von aggressiven Flüssigkeiten in kleinen Behältern: **gekapseltes Antennensystem**
- Durchflussmessung in offenen Gerinnen oder die Pegelmessung in Gewässern: **Kunststoffhornantenne**
- Füllgüter mit einem ϵ_r -Wert $\geq 1,8$: **Standardelektronik**
- Füllgüter mit mit einem ϵ_r -Wert $\geq 1,5$, $< 1,8$; Anwendungen mit sehr schlechten Reflexionseigenschaften: **Elektronik mit erhöhter Empfindlichkeit**

Die tatsächlich erreichbaren Werte hängen von den Messbedingungen, dem Antennensystem bzw. dem Standrohr oder Bypass ab.

Funktionsprinzip

Von der Antenne des Radarsensors werden kurze Radarimpulse mit einer Dauer von ca. 1 ns ausgesendet. Diese werden vom Füllgut reflektiert und von der Antenne als Echos empfangen. Die Laufzeit der Radarimpulse vom Aussenden bis zum Empfangen ist der Distanz und damit der Füllhöhe proportional. Die so ermittelte Füllhöhe wird in ein entsprechendes Ausgangssignal umgewandelt und als Messwert ausgegeben.

Verpackung

3.3 Verpackung, Transport und Lagerung

Ihr Gerät wurde auf dem Weg zum Einsatzort durch eine Verpackung geschützt. Dabei sind die üblichen Transportbeanspruchungen durch eine Prüfung in Anlehnung an ISO 4180 abgesichert.

Bei Standardgeräten besteht die Verpackung aus Karton, ist umweltverträglich und wieder verwertbar. Bei Sonderausführungen wird zusätzlich PE-Schaum oder PE-Folie verwendet. Entsorgen Sie das anfallende Verpackungsmaterial über spezialisierte Recyclingbetriebe.

Transport

Der Transport muss unter Berücksichtigung der Hinweise auf der Transportverpackung erfolgen. Nichtbeachtung kann Schäden am Gerät zur Folge haben.

Transportinspektion

Die Lieferung ist bei Erhalt unverzüglich auf Vollständigkeit und eventuelle Transportschäden zu untersuchen. Festgestellte Transportschäden oder verdeckte Mängel sind entsprechend zu behandeln.

Lagerung

Die Packstücke sind bis zur Montage verschlossen und unter Beachtung der außen angebrachten Aufstell- und Lagermarkierungen aufzubewahren.

Packstücke, sofern nicht anders angegeben, nur unter folgenden Bedingungen lagern:

- Nicht im Freien aufbewahren
- Trocken und staubfrei lagern
- Keinen aggressiven Medien aussetzen
- Vor Sonneneinstrahlung schützen
- Mechanische Erschütterungen vermeiden

Lager- und Transporttemperatur

- Lager- und Transporttemperatur siehe Kapitel "*Anhang - Technische Daten - Umgebungsbedingungen*"
- Relative Luftfeuchte 20 ... 85 %

Anzeige- und Bedienmo-

3.4 Zubehör und Ersatzteile

Das Anzeige- und Bedienmodul dient zur Messwertanzeige, Bedienung und Diagnose. Es kann jederzeit in den Sensor eingesetzt und wieder entfernt werden.

Weitere Informationen finden Sie in der Betriebsanleitung "*Anzeige- und Bedienmodul*" (Document-ID 41787).

Elektronikeinsatz

Der Elektronikeinsatz ist ein Austauschteil für Radarsensoren der LEVEL TRANSMITTER Serie. Für die unterschiedlichen Signalausgänge steht jeweils eine eigene Ausführung zur Verfügung.

Weitere Informationen finden Sie in der Betriebsanleitung "*Elektronikeinsatz LEVEL TRANSMITTER 813X*" (Document-ID 41786).

MAN 1000102666 ML Version: 01 Status: RL (releas | freigegeben) printed: 22.09.2017

Einschrauben

Schutz vor Feuchtigkeit

Vorbereitung für die Prozessbedingungen

4 Montieren

4.1 Allgemeine Hinweise

Bei Geräten mit Prozessanschluss Gewinde muss der Sechskant mit einem passendem Schraubenschlüssel angezogen werden. Schlüsselweite siehe Kapitel "Maße".



Warnung:

Das Gehäuse darf nicht zum Einschrauben verwendet werden! Das Festziehen kann Schäden an der Drehmechanik des Gehäuses verursachen.

Schützen Sie Ihr Gerät durch folgende Maßnahmen gegen das Eindringen von Feuchtigkeit:

- Empfohlenes Kabel verwenden (siehe Kapitel "An die Spannungsversorgung anschließen")
- Kabelverschraubung fest anziehen
- Bei waagerechter Montage das Gehäuse so drehen, so dass die Kabelverschraubung nach unten zeigt
- Anschlusskabel vor der Kabelverschraubung nach unten führen

Dies gilt vor allem:

- Bei Montage im Freien
- In Räumen, in denen mit Feuchtigkeit zu rechnen ist (z. B. durch Reinigungsprozesse)
- An gekühlten bzw. beheizten Behältern

Stellen Sie sicher, dass sämtliche im Prozess befindlichen Teile des Gerätes für die auftretenden Prozessbedingungen geeignet sind.

Dazu zählen insbesondere:

- Messaktiver Teil
- Prozessanschluss
- Prozessdichtung

Prozessbedingungen sind insbesondere:

- Prozessdruck
- Prozesstemperatur
- Chemische Eigenschaften der Medien
- Abrasion und mechanische Einwirkungen

Die Angaben zu den Prozessbedingungen finden Sie im Kapitel "Technische Daten" sowie auf dem Typschild.

4.2 Überwurf- oder Adapterflansch

Für die Montage des Gerätes auf einem Stutzen steht ein loser Kombi-Überwurf flansch für DN 80 (ASME 3" oder JIS 80) auch zur Nachrüstung zur Verfügung. Optional kann das Gerät auch ab Werk mit einem Adapterflansch ab DN 100 (ASME 4" oder JIS 100) ausgerüstet werden.

Bei den Gehäusevarianten Kunststoff, Aluminium-Einkammer und Edelstahl kann der Überwurf flansch direkt über das Gehäuse geführt

werden. Beim Aluminium-Zweikammergehäuse ist eine nachträgliche Montage nicht möglich, die Montageart ist bei der Bestellung festzulegen.

Zeichnungen zu diesen Montageoptionen finden Sie im Kapitel "Maße".

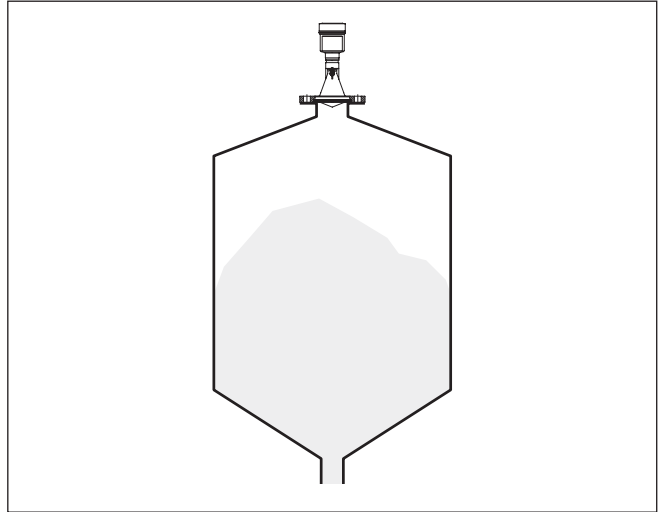


Abb. 2: Flanschmontage des Radarsensors

4.3 Montagevorbereitungen Montagebügel

Der Montagebügel ermöglicht die einfache Befestigung an der Behälterwand oder der Silodecke. Er ist geeignet zur Montage an Wand, Decke oder am Ausleger. Vor allem bei offenen Behältern ist dies eine sehr einfache und effektive Möglichkeit, den Sensor auf die Schüttgutoberfläche auszurichten.

Der Bügel wird lose mitgeliefert und muss vor der Inbetriebnahme mit den drei Inbusschrauben M5 x 10 und Federscheiben am Sensor angeschraubt werden. Max. Anzugsmoment siehe Kapitel "Technische Daten". Erforderliches Werkzeug: Innensechskantschlüssel Größe 4.

Zum Anschrauben des Bügels am Sensor sind zwei Varianten möglich. Je nach gewählter Variante kann der Sensor wie folgt im Bügel geschwenkt werden:

- Einkammergehäuse
 - Neigungswinkel 180° stufenlos
 - Neigungswinkel in drei Stufen 0°, 90° und 180°
- Zweikammergehäuse
 - Neigungswinkel 90° stufenlos
 - Neigungswinkel in zwei Stufen 0° und 90°

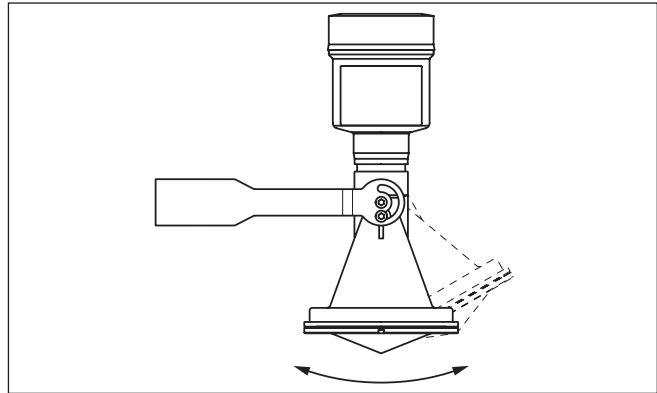
Dichter Einbau der Kunststoffhornantenne

Abb. 3: Verstellung des Neigungswinkels

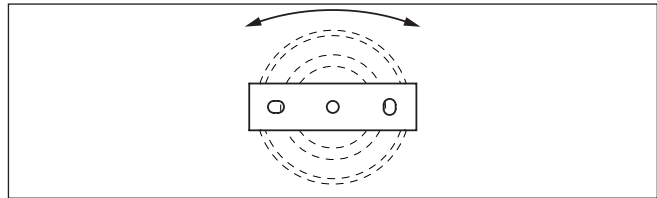


Abb. 4: Drehen bei Befestigung in der Mitte

4.4 Montagehinweise

Zum dichten Einbau der Ausführung mit Kunststoffhornantenne mit dem Überwurf- oder Adapterflansch muss folgendes erfüllt sein:

1. Passende Flachdichtung z. B. aus EPDM mit Shore-Härte 25 oder 50 verwenden
2. Anzahl der Flanschschrauben entsprechend der Anzahl der Flanschbohrungen
3. Alle Schrauben mit dem in den technischen Daten angegebenen Anzugsmoment anziehen

Polarisation

Die ausgesandten Radarimpulse des Radarsensors sind elektromagnetische Wellen. Die Polarisation ist die Richtung des elektrischen Anteils. Durch Drehen des Gerätes im Verbindungsflansch oder Einschraubstutzen kann die Polarisation genutzt werden, um die Auswirkung von Störechos zu reduzieren.

Die Lage der Polarisation ist durch eine Markierung am Prozessanschluss des Gerätes gekennzeichnet.

Montageposition

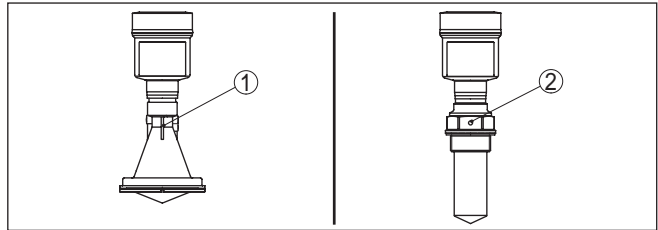


Abb. 5: Lage der Polarisation

- 1 Markierung bei Ausführung mit Kunststoffhornantenne
- 2 Markierung bei Ausführung mit gekapseltem Antennensystem

Montieren Sie den Sensor an einer Position, die mindestens 200 mm (7.874 in) von der Behälterwand entfernt ist. Wenn der Sensor in Behältern mit Klöpfer- oder Runddecken mittig montiert wird, können Vielfachechos entstehen, die durch einen entsprechenden Abgleich ausgeblendet werden können (siehe Kapitel "Inbetriebnahme").

Wenn Sie diesen Abstand nicht einhalten können, sollten Sie bei der Inbetriebnahme eine Störsignalspeicherung durchführen. Dies gilt vor allem, wenn Anhaftungen an der Behälterwand zu erwarten sind. In diesem Fall empfiehlt es sich, die Störsignalspeicherung zu einem späteren Zeitpunkt mit vorhandenen Anhaftungen zu wiederholen.

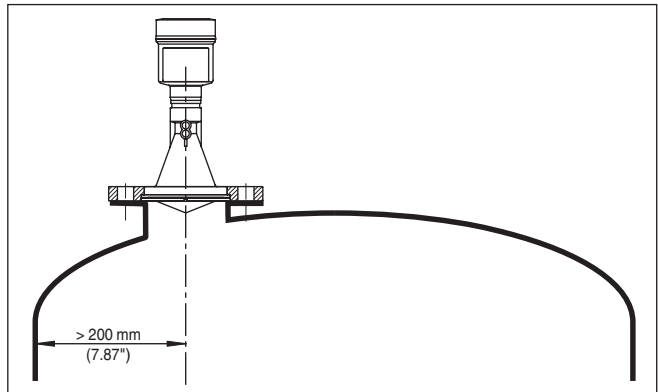


Abb. 6: Montage des Radarsensors an runden Behälterdecken

Bei Behältern mit konischem Boden kann es vorteilhaft sein, den Sensor in Behältermitte zu montieren, da die Messung dann bis zum Boden möglich ist.

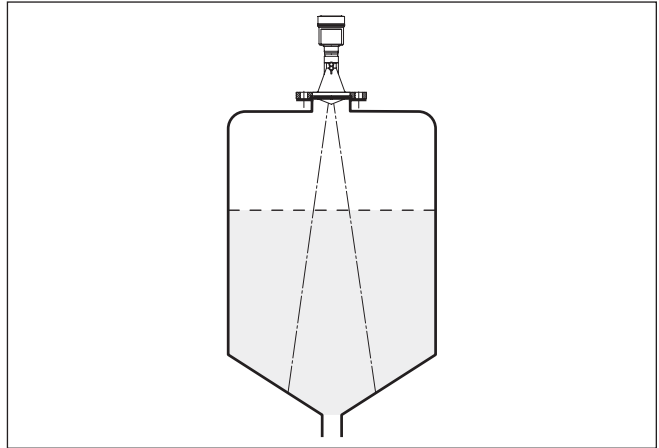


Abb. 7: Montage des Radarsensors an Behältern mit konischem Boden

Einstromendes Füllgut

Montieren Sie die Geräte nicht über oder in den Befüllstrom. Stellen Sie sicher, dass Sie die Füllgutoberfläche erfassen und nicht das einströmende Füllgut.

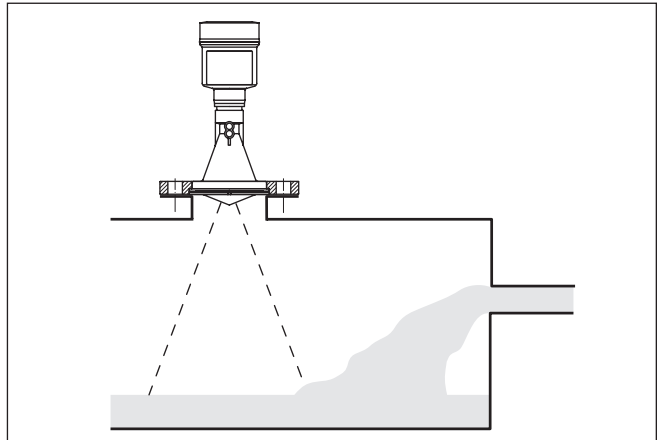


Abb. 8: Montage des Radarsensors bei einströmendem Füllgut

Stutzen bei gekapseltem Antennensystem

Bevorzugt sollten Sie den Rohrstützen so dimensionieren, dass der Antennenrand mindestens 10 mm (0.4 in) aus dem Stutzen herausragt.

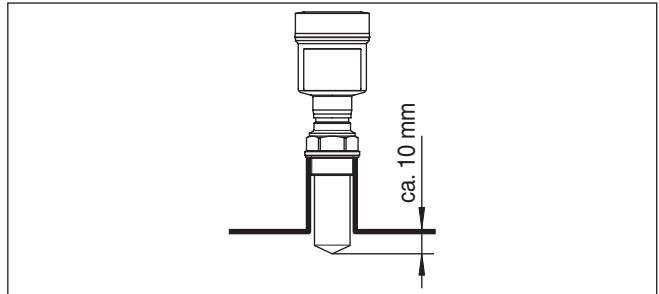


Abb. 9: Empfehlenswerte Rohrstützenmontage

Bei guten Reflexionseigenschaften des Füllguts können Sie den LEVEL TRANSMITTER 8136 auch auf Rohrstützen montieren, die höher als die Antennenlänge sind. Richtwerte der Stützenhöhen finden Sie in der nachfolgenden Abbildung. Das Stützenende sollte in diesem Fall glatt und gratfrei, wenn möglich sogar abgerundet sein. Sie müssen danach eine Störsignalspeicherung durchführen.

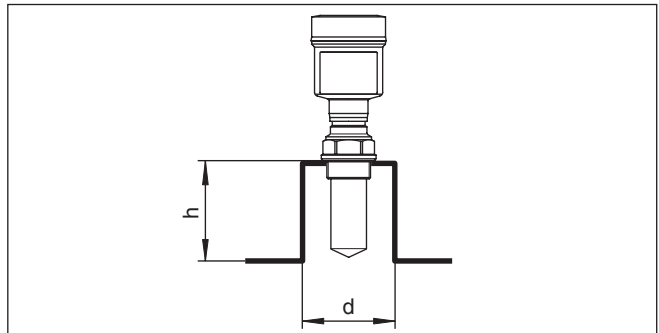


Abb. 10: Abweichende Rohrstützenmaße

Die Tabellen unten geben die max. Stützenlänge h in Abhängigkeit vom Durchmesser d an.

Stützendurchmesser d	Stützenlänge h
40 mm	≤ 200 mm
50 mm	≤ 250 mm
80 mm	≤ 300 mm
100 mm	≤ 400 mm
150 mm	≤ 500 mm

Stützendurchmesser d	Stützenlänge h
1½"	≤ 7.9 in
2"	≤ 9.9 in
3"	≤ 11.8 in

Stützen bei Kunststoff- hornantenne

Stützendurchmesser d	Stützenlänge h
4"	≤ 15.8 in
6"	≤ 19.7 in

Für die Montage des LEVEL TRANSMITTER 8136 auf einem Stützen steht ein entsprechender Überwurfflansch für DN 80 (ASME 3" oder JIS 80) sowie ein geeigneter Adapterflansch zur Verfügung.

Bei den Gehäusevarianten Kunststoff, Aluminium-Einkammer und Edelstahl kann der Überwurfflansch direkt über das Gehäuse geführt werden. Beim Aluminium-Zweikammergehäuse ist eine nachträgliche Montage nicht möglich, die Montageart ist bei der Bestellung festzulegen.



Information:

Der Stützen sollte möglichst kurz gehalten werden und das Stützende sollte abgerundet sein. Damit werden Störreflexionen durch den Behälterstutzen gering gehalten.

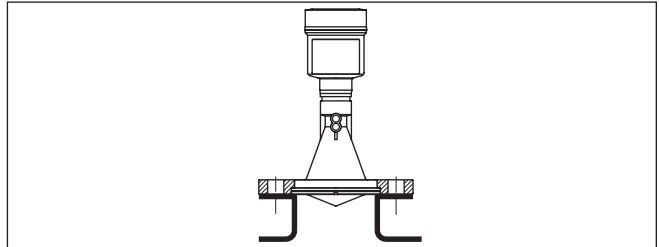
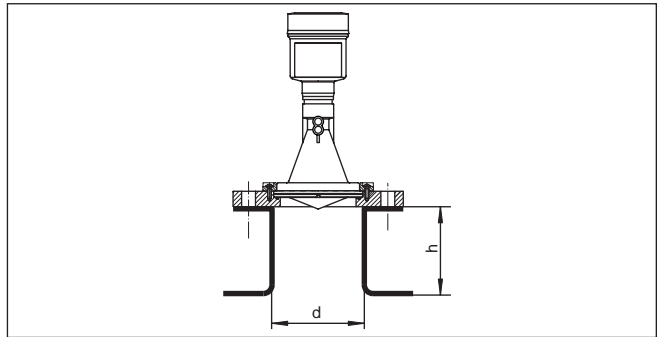


Abb. 11: Empfehlenswerte Rohrstützenmontage

Bei guten Reflexionseigenschaften des Füllgutes können Sie den LEVEL TRANSMITTER 8136 auch auf längeren Rohrstützen montieren. Richtwerte der Stützenhöhen finden Sie in der nachfolgenden Abbildung. Sie müssen danach eine Störsignalspeicherung durchführen.



Die Tabellen unten geben die max. Stützenlänge h in Abhängigkeit vom Durchmesser d an.

Stützdurchmesser d	Stützenlänge h
80 mm	≤ 300 mm
100 mm	≤ 400 mm
150 mm	≤ 500 mm

Stützdurchmesser d	Stützenlänge h
3"	≤ 11.8 in
4"	≤ 15.8 in
6"	≤ 19.7 in

Sensorausrichtung

Richten Sie den Sensor in Flüssigkeiten möglichst senkrecht auf die Füllgutoberfläche, um optimale Messergebnisse zu erzielen.

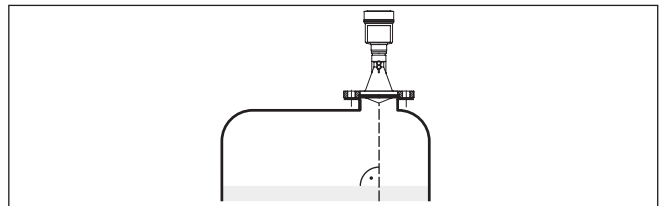


Abb. 13: Ausrichtung in Flüssigkeiten

Behältereinbauten

Der Einbauort des Radarsensors sollte so gewählt werden, dass keine Einbauten die Radarsignale kreuzen.

Behältereinbauten, wie z. B. Leitern, Grenzschalter, Heizschlangen, Behälterverstreben etc. können Störechos verursachen und das Nutzecho beeinträchtigen. Achten Sie bei der Projektierung Ihrer Messstelle auf eine möglichst "freie Sicht" der Radarsignale zum Füllgut.

Bei vorhandenen Behältereinbauten sollten Sie bei der Inbetriebnahme eine Störsignalspeicherung durchführen.

Wenn große Behältereinbauten wie Streben und Träger zu Störechos führen, können diese durch zusätzliche Maßnahmen abgeschwächt werden. Kleine, schräg angebaute Blenden aus Blech über den Einbauten "streuen" die Radarsignale und verhindern so wirkungsvoll eine direkte Störechoreflexion.

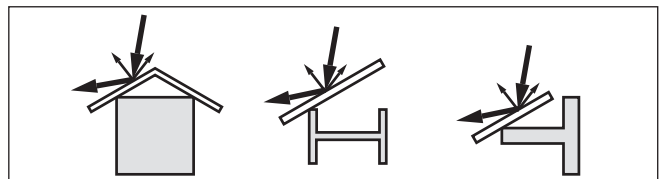


Abb. 14: Glatte Profile mit Streublenden abdecken

Rührwerke

Bei Rührwerken im Behälter sollten Sie eine Störsignalspeicherung bei laufendem Rührwerk durchführen. Somit ist sichergestellt, dass

die Störreflektionen des Rührwerks in unterschiedlichen Positionen abgespeichert werden.

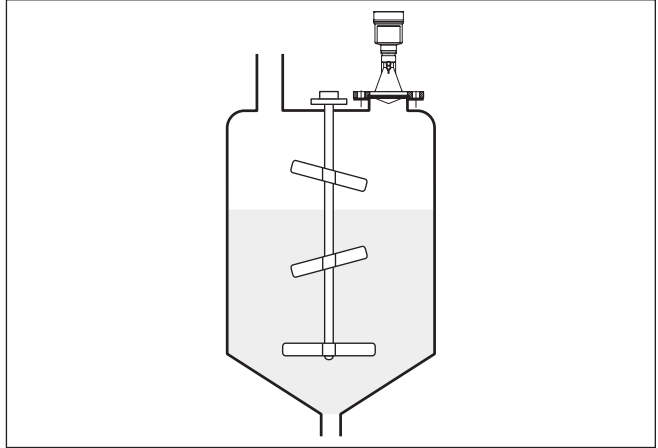


Abb. 15: Rührwerke

Durch Befüllung, Rührwerke oder andere Prozesse im Behälter, können sich zum Teil sehr kompakte Schäume auf der Füllgutoberfläche bilden, die das Sendesignal sehr stark dämpfen.

Wenn Schäume zu Messfehlern führen, sollten Sie größtmögliche Radarantennen, die Elektronik mit erhöhter Empfindlichkeit oder niederfrequente Radarsensoren (C-Band) einsetzen.

Als Alternative kommen Sensoren mit geführter Mikrowelle in Betracht. Diese sind unbeeinflusst von Schaumbildung und eignen sich für diese Anwendungen besonders gut.

4.5 Messanordnungen - Rohre

Durch die Messung in einem Schwallrohr im Behälter sind Einflüsse von Behältereinbauten und Turbulenzen ausgeschlossen. Unter diesen Voraussetzungen ist die Messung von Füllgütern mit niedrigen Dielektrizitätswerten (ϵ_r -Wert $\leq 1,6$) möglich.

Für eine Messung im Schwallrohr sind die folgenden Darstellungen und Hinweise zu beachten.



Information:

In Füllgütern, die zu starken Anhaftungen neigen, ist die Messung im Schwallrohr nicht sinnvoll.

Aufbau Schwallrohr

MAN 1000102666 ML Version: C Status: RL (released | freigegeben) printed: 22.09.2017

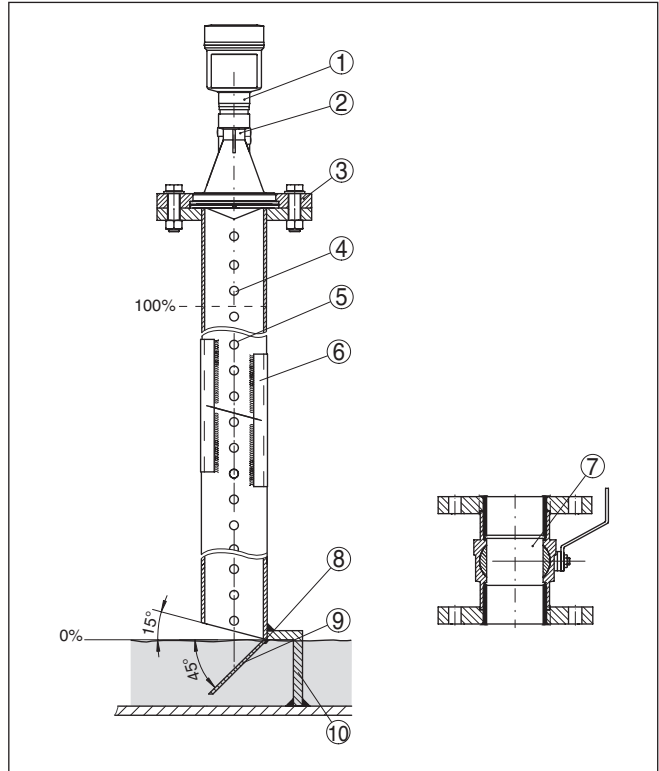


Abb. 16: Aufbau Schwallrohr LEVEL TRANSMITTER 8136

- 1 Radarsensor
- 2 Markierung der Polarisierung
- 3 Gewinde bzw. Flansch am Gerät
- 4 Entlüftungsbohrung
- 5 Bohrungen
- 6 Schweißverbindung über U-Profile
- 7 Kugelhahn mit vollem Durchgang
- 8 Schwallrohrende
- 9 Reflektorblech
- 10 Befestigung des Schwallrohres

Schwallrohrverlängerung

HAN 1000102666 ML Version: C Status: RL (released | freigegeben) printed: 22.09.2017

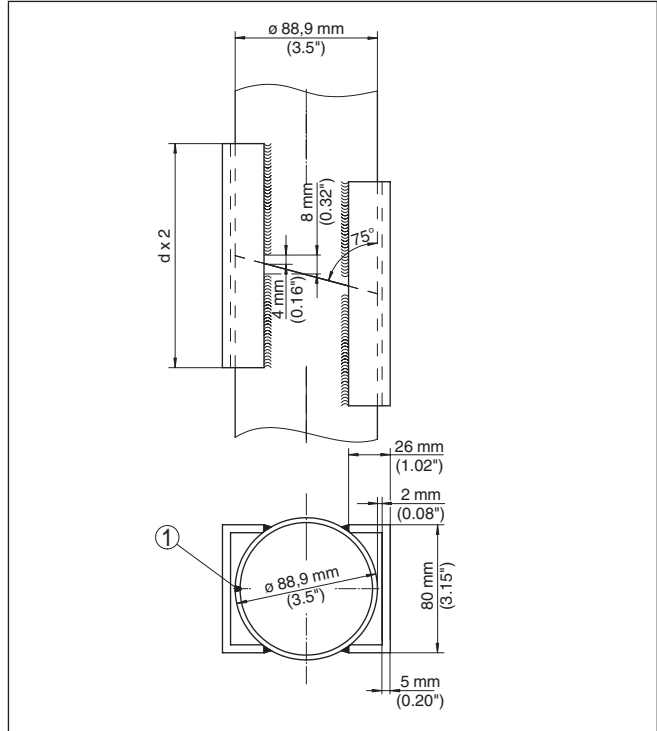


Abb. 17: Schweißverbindung bei Schwallrohrverlängerung für unterschiedliche Beispiel-Durchmesser

1 Position der Schweißnaht bei längsgeschweißten Rohren

Hinweise und Anforderungen Schwallrohr

Hinweise zur Ausrichtung der Polarisation:

- Markierung der Polarisation am Sensor beachten
- Bei Gewindeausführungen befindet sich die Markierung auf dem Sechskant, bei Flanschausführungen zwischen zwei Flanschbohrungen
- Die Markierung muss in einer Ebene mit den Bohrungen im Schwallrohr liegen

Hinweise zur Messung:

- Der 100 %-Punkt muss unterhalb der obersten Entlüftungsbohrung und des Antennenrandes liegen
- Der 0 %-Punkt ist das Ende des Schwallrohres
- Bei der Parametrierung muss "Anwendung Standrohr" gewählt und der Rohrdurchmesser eingegeben werden, um Fehler durch Laufzeitverschiebung zu kompensieren
- Eine Störsignalausblendung bei eingebautem Sensor ist empfehlenswert, jedoch nicht zwingend erforderlich
- Die Messung durch einen Kugelhahn mit Volldurchgang ist möglich

41783-DE-141202

Messung im Bypass

Konstruktive Anforderungen:

- Werkstoff metallisch, Rohr innen glatt
- Vorzugsweise gezogenes oder längsnahtgeschweißtes Edelstahlrohr
- Schweißnaht soll möglichst eben sein und in einer Achse mit den Bohrungen liegen
- Flansche sind entsprechend der Ausrichtung der Polarisierung auf das Rohr geschweißt
- Bei Verwendung eines Kugelhahnes, Übergänge an den Innenseiten fluchten und passgenau fixieren
- Spaltgröße bei Übergängen $\leq 0,1$ mm
- Schwallrohre müssen bis zur gewünschten minimalen Füllhöhe reichen, da eine Messung nur innerhalb des Rohres möglich ist
- Durchmesser Bohrungen ≤ 5 mm, Anzahl beliebig, einseitig oder durchgängig
- Der Antennendurchmesser des Sensors sollte möglichst dem Innendurchmesser des Rohres entsprechen
- Durchmesser soll konstant über die gesamte Länge sein

Hinweise für Schwallrohrverlängerung:

- Rohrenden der Verlängerungen müssen schräg abgeschnitten sein und exakt fluchtend aufeinander gesetzt werden
- Schweißverbindung nach Darstellung oben über außen liegende U-Profile. Länge der U-Profile mindestens doppelter Rohrdurchmesser
- Nicht durch die Rohrwand schweißen. Das Schwallrohr muss innen glattwandig bleiben. Bei unbeabsichtigten Durchschweißungen an der Innenseite entstehende Unebenheiten und Schweißraupen sauber entfernen, da diese sonst starke Störechos verursachen und Füllgutanhaftungen begünstigen
- Eine Verlängerung über Vorschweißflansche oder Rohrmuffen ist messtechnisch nicht ratsam.

Eine Alternative zur Messung im Schwallrohr ist die Messung in einem Bypass außerhalb des Behälters.

Aufbau Bypass

102666 ML Version: C Status: RL (released | freigegeben) printed: 22.09.2017
 Hinweis und Anforderungen Bypass
 MAN

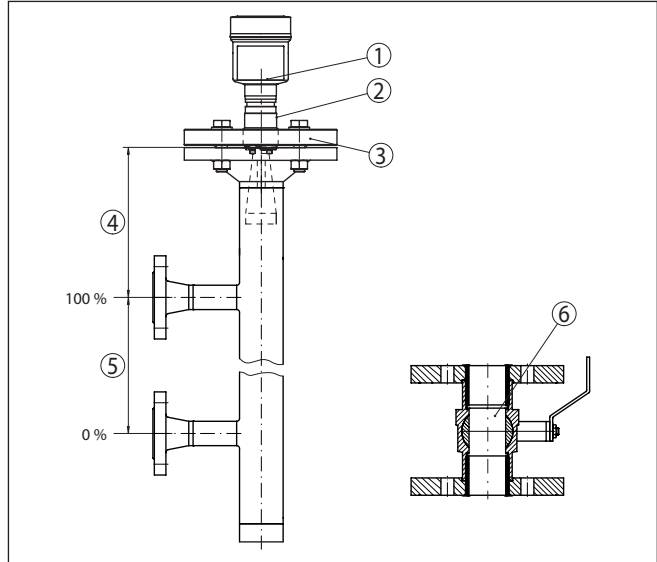


Abb. 18: Aufbau Bypass

- 1 Radarsensor
- 2 Markierung der Polarisation
- 3 Geräteflansch
- 4 Abstand Sensorbezugsebene zur oberen Rohrverbindung
- 5 Abstand der Rohrverbindungen
- 6 Kugelhahn mit vollem Durchgang

Hinweise zur Ausrichtung der Polarisation:

- Markierung der Polarisation am Sensor beachten
- Bei Gewindeausführungen befindet sich die Markierung auf dem Sechskant, beim Flanschausführungen zwischen zwei Flanschbohrungen
- Die Markierung muss in einer Ebene mit den Rohrverbindungen zum Behälter liegen

Hinweise zur Messung:

- Der 100 %-Punkt darf nicht oberhalb der oberen Rohrverbindung zum Behälter liegen
- Der 0 %-Punkt darf nicht unterhalb der unteren Rohrverbindung zum Behälter liegen
- Mindestabstand Sensorbezugsebene zur Oberkante obere Rohrverbindung > 300 mm
- Bei der Parametrierung muss "Anwendung Standrohr" gewählt und der Rohrdurchmesser eingegeben werden, um Fehler durch Laufzeitverschiebung zu kompensieren
- Eine Störsignalausblendung bei eingebautem Sensor ist empfehlenswert, jedoch nicht zwingend erforderlich
- Die Messung durch einen Kugelhahn mit Volldurchgang ist möglich

41783-DE-141202

Durchflussmessung bei Rechtecküberfall

Konstruktive Anforderungen an das Bypassrohr:

- Werkstoff metallisch, Rohr innen glatt
- Bei extrem rauer Innenseite des Rohres ein eingeschobenes Rohr (Rohr im Rohr) oder einen Radarsensor mit Rohrantenne verwenden
- Flansche sind entsprechend der Ausrichtung der Polarisation auf das Rohr geschweißt
- Spaltgröße bei Übergängen $\leq 0,1$ mm, z. B. bei Verwendung eines Kugelhahnes oder von Zwischenflanschen bei einzelnen Rohrstücken
- Der Antennendurchmesser des Sensors sollte möglichst dem Innendurchmesser des Rohres entsprechen
- Durchmesser soll konstant über die gesamte Länge sein

4.6 Messanordnungen - Durchfluss

Die Kurzbeispiele geben Ihnen einführende Hinweise für die Durchflussmessung. Detaillierte Projektierungsdaten finden Sie bei Gerinneherstellern und in der Fachliteratur.

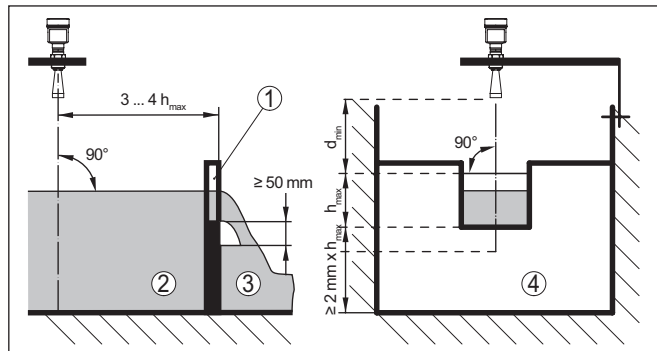


Abb. 19: Durchflussmessung mit Rechtecküberfall: d_{min} = Mindestabstand des Sensors (siehe Kapitel "Technische Daten"); h_{max} = max. Befüllung des Rechtecküberfalls

- 1 Überfallblende (Seitenansicht)
- 2 Oberwasser
- 3 Unterwasser
- 4 Überfallblende (Ansicht vom Unterwasser)

Grundsätzlich sind folgende Gesichtspunkte zu beachten:

- Einbau des Sensors auf der Oberwasserseite
- Einbau mittig zum Gerinne und senkrecht zur Oberfläche der Flüssigkeit
- Abstand zur Überfallblende
- Abstand Blendenöffnung über Grund
- Mindestabstand der Blendenöffnung zum Unterwasser
- Mindestabstand des Sensors zur max. Stauhöhe

Durchflussmessung bei Khafagi-Venturirinne

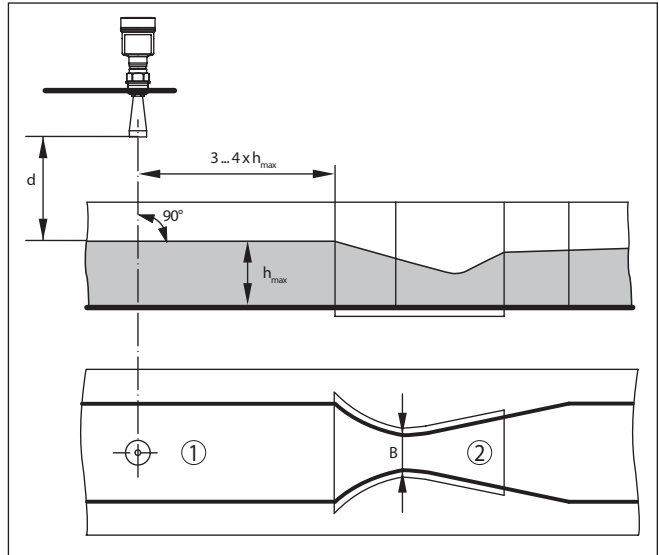


Abb. 20: Durchflussmessung mit Khafagi-Venturirinne: d = Mindestabstand des Sensors; h_{max} = max. Befüllung der Rinne; B = größte Einschnürung der Rinne

- 1 Position Sensor
- 2 Venturirinne

Grundsätzlich sind folgende Gesichtspunkte zu beachten:

- Einbau des Sensors auf der Zulaufseite
- Einbau mittig zum Gerinne und senkrecht zur Oberfläche der Flüssigkeit
- Abstand zur Venturirinne
- Mindestabstand des Sensors zur max. Stauhöhe

5 An die Spannungsversorgung anschließen

5.1 Anschluss vorbereiten

Beachten Sie grundsätzlich folgende Sicherheitshinweise:



Warnung:

Nur in spannungslosem Zustand anschließen.

- Der elektrische Anschluss darf nur durch ausgebildetes und vom Anlagenbetreiber autorisiertes Fachpersonal durchgeführt werden.
- Falls Überspannungen zu erwarten sind, Überspannungsschutzgeräte installieren.

Sicherheitshinweise

Spannungsversorgung

Die Spannungsversorgung und das Stromsignal erfolgen über dasselbe zweiadriges Anschlusskabel. Die Betriebsspannung kann sich je nach Geräteausführung unterscheiden.

Die Daten für die Spannungsversorgung finden Sie im Kapitel "*Technische Daten*".

Sorgen Sie für eine sichere Trennung des Versorgungskreises von den Netzstromkreisen nach DIN EN 61140 VDE 0140-1.

Berücksichtigen Sie folgende zusätzliche Einflüsse für die Betriebsspannung:

- Geringere Ausgangsspannung des Speisegerätes unter Nennlast (z. B. bei einem Sensorstrom von 20,5 mA oder 22 mA bei Störmeldung)
- Einfluss weiterer Geräte im Stromkreis (siehe Bürdenwerte im Kapitel "*Technische Daten*")

Anschlusskabel

Das Gerät wird mit handelsüblichem zweiadrigem Kabel ohne Schirm angeschlossen. Falls elektromagnetische Einstreuungen zu erwarten sind, die über den Prüfwerten der EN 61326-1 für industrielle Bereiche liegen, sollte abgeschirmtes Kabel verwendet werden.

Verwenden Sie Kabel mit rundem Querschnitt bei Geräten mit Gehäuse und Kabelverschraubung. Kontrollieren Sie für welchen Kabelaußendurchmesser die Kabelverschraubung geeignet ist, um die Dichtwirkung der Kabelverschraubung (IP-Schutzart) sicher zu stellen.

Verwenden Sie eine zum Kabeldurchmesser passende Kabelverschraubung.

Im HART-Multidropbetrieb empfehlen wir, generell geschirmtes Kabel zu verwenden.

Kabeleinführung ½ NPT

Beim Kunststoffgehäuse muss die NPT-Kabelverschraubung bzw. das Conduit-Stahlrohr ohne Fett in den Gewindeinsatz geschraubt werden.

Maximales Anzugsmoment für alle Gehäuse siehe Kapitel "*Technische Daten*".

Kabelschirmung und Erdung

Wenn geschirmtes Kabel erforderlich ist, empfehlen wir, den Kabelschirm beidseitig auf Erdpotenzial zu legen. Im Sensor sollte der

Kabelschirmung und Erdung

Schirm direkt an die innere Erdungsklemme angeschlossen werden. Die äußere Erdungsklemme am Gehäuse muss niederimpedant mit dem Erdpotenzial verbunden sein.

Bei Ex-Anlagen erfolgt die Erdung gemäß den Errichtungsvorschriften.

Wenn geschirmtes Kabel erforderlich ist, empfehlen wir, den Kabelschirm beidseitig auf Erdpotenzial zu legen. Im Sensor sollte der Schirm direkt an die innere Erdungsklemme angeschlossen werden. Die äußere Erdungsklemme am Gehäuse muss niederimpedant mit dem Erdpotenzial verbunden sein.

Bei Ex-Anlagen erfolgt die Erdung gemäß den Errichtungsvorschriften.

Anschlussstechnik

5.2 Anschließen

Der Anschluss der Spannungsversorgung und des Signalausganges erfolgt über Federkraftklemmen im Gehäuse.

Die Verbindung zum Anzeige- und Bedienmodul bzw. zum Schnittstellenadapter erfolgt über Kontaktstifte im Gehäuse.



Information:

Der Klemmenblock ist steckbar und kann von der Elektronik abgezogen werden. Hierzu Klemmenblock mit einem kleinen Schraubendreher anheben und herausziehen. Beim Wiederaufstecken muss er hörbar einrasten.

Anschlusschritte

Gehen Sie wie folgt vor:

1. Gehäusedeckel abschrauben
2. Evtl. vorhandenes Anzeige- und Bedienmodul durch leichtes Drehen nach links herausnehmen
3. Überwurfmutter der Kabelverschraubung lösen
4. Anschlusskabel ca. 10 cm (4 in) abmanteln, Aderenden ca. 1 cm (0.4 in) abisolieren
5. Kabel durch die Kabelverschraubung in den Sensor schieben



Abb. 21: Anschlusschritte 5 und 6 - Einkammergehäuse

6. Aderenden nach Anschlussplan in die Klemmen stecken



Information:

Feste Adern sowie flexible Adern mit Aderendhülsen werden direkt in die Klemmenöffnungen gesteckt. Bei flexiblen Adern ohne Endhülse mit einem kleinen Schraubendreher oben auf die Klemme drücken, die Klemmenöffnung wird freigegeben. Durch Lösen des Schraubendrehers werden die Klemmen wieder geschlossen.

Weitere Informationen zum max. Aderquerschnitt finden Sie unter "Technische Daten/Elektromechanische Daten"

7. Korrekten Sitz der Leitungen in den Klemmen durch leichtes Ziehen prüfen
8. Schirm an die innere Erdungsklemme anschließen, die äußere Erdungsklemme mit dem Potenzialausgleich verbinden
9. Überwurfmutter der Kabelverschraubung fest anziehen. Der Dichtring muss das Kabel komplett umschließen
10. Evtl. vorhandenes Anzeige- und Bedienmodul wieder aufsetzen
11. Gehäusedeckel verschrauben

Der elektrische Anschluss ist somit fertig gestellt.

5.3 Anschlussplan



Die nachfolgende Abbildung gilt sowohl für die Nicht-Ex-, als auch für die Ex-ia-Ausführung.

Elektronik- und Anschlussraum

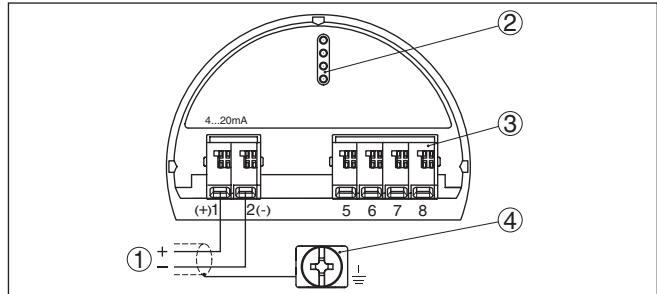


Abb. 22: Elektronik- und Anschlussraum Einkammergehäuse

- 1 Spannungsversorgung, Signalausgang
- 2 Für Anzeige- und Bedienmodul bzw. Schnittstellenadapter
- 3 Für externe Anzeige- und Bedieneinheit
- 4 Erdungsklemme zum Anschluss des Kabelschirms

5.4 Einschaltphase

Nach dem Anschluss des Gerätes an die Spannungsversorgung bzw. nach Spannungswiederkehr führt das Gerät für ca. 30 s einen Selbsttest durch:

- Interne Prüfung der Elektronik
- Anzeige von Gerätetyp, Hard- und Softwareversion, Messstellenname auf Display bzw. PC
- Anzeige der Statusmeldung "F 105 Ermittle Messwert" auf Display bzw. PC
- Ausgangssignal springt auf den eingestellten Störstrom

Sobald ein plausibler Messwert gefunden ist, wird der zugehörige Strom auf der Signalleitung ausgegeben. Der Wert entspricht dem aktuellen Füllstand sowie den bereits durchgeführten Einstellungen, z. B. dem Werksabgleich.

6 In Betrieb nehmen mit dem Anzeige- und Bedienmodul

6.1 Anzeige- und Bedienmodul einsetzen

Das Anzeige- und Bedienmodul kann jederzeit in den Sensor eingesetzt und wieder entfernt werden. Dabei sind vier Positionen im 90°-Versatz wählbar. Eine Unterbrechung der Spannungsversorgung ist hierzu nicht erforderlich.

Gehen Sie wie folgt vor:

1. Gehäusedeckel abschrauben
2. Anzeige- und Bedienmodul in die gewünschte Position auf die Elektronik setzen und nach rechts bis zum Einrasten drehen
3. Gehäusedeckel mit Sichtfenster fest verschrauben

Der Ausbau erfolgt sinngemäß umgekehrt.

Das Anzeige- und Bedienmodul wird vom Sensor versorgt, ein weiterer Anschluss ist nicht erforderlich.

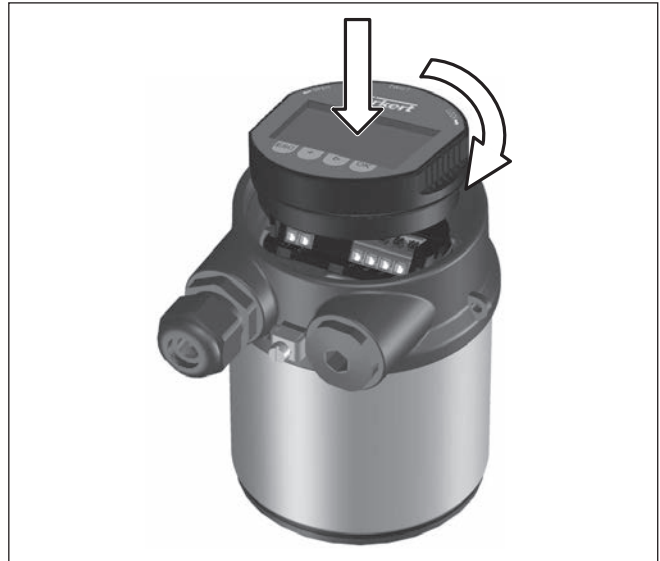


Abb. 23: Einsetzen des Anzeige- und Bedienmoduls beim Einkammergehäuse



Hinweis:

Falls Sie das Gerät mit einem Anzeige- und Bedienmodul zur ständigen Messwertanzeige nachrüsten wollen, ist ein erhöhter Deckel mit Sichtfenster erforderlich.

6.2 Bediensystem

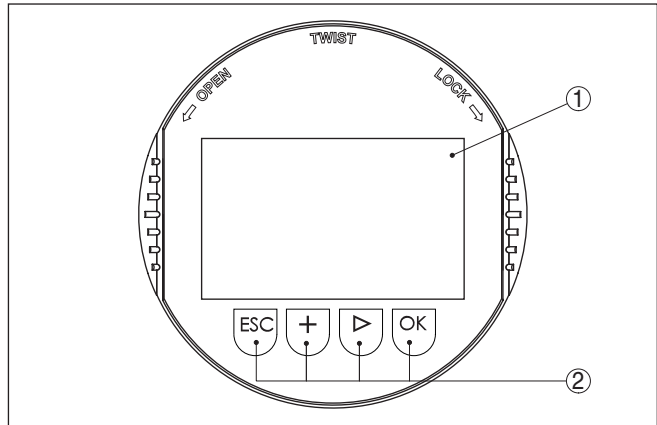


Abb. 24: Anzeige- und Bedienelemente

- 1 LC-Display
- 2 Bedientasten

Tastenfunktionen

- **[OK]-Taste:**
 - In die Menüübersicht wechseln
 - Ausgewähltes Menü bestätigen
 - Parameter editieren
 - Wert speichern
- **[->]-Taste:**
 - Darstellung Messwert wechseln
 - Listeneintrag auswählen
 - Editierposition wählen
- **[+]-Taste:**
 - Wert eines Parameters verändern
- **[ESC]-Taste:**
 - Eingabe abbrechen
 - In übergeordnetes Menü zurückspringen

Bediensystem

Sie bedienen das Gerät über die vier Tasten des Anzeige- und Bedienmoduls. Auf dem LC-Display werden die einzelnen Menüpunkte angezeigt. Die Funktionen der einzelnen Tasten entnehmen Sie bitte der vorhergehenden Darstellung. Ca. 60 Minuten nach der letzten Tastenbetätigung wird ein automatischer Rücksprung in die Messwertanzeige ausgelöst. Dabei gehen die noch nicht mit **[OK]** bestätigten Werte verloren.

6.3 Parametrierung

Durch die Parametrierung wird das Gerät an die Einsatzbedingungen angepasst. Die Parametrierung erfolgt über ein Bedienmenü.

Hauptmenü

Das Hauptmenü ist in fünf Bereiche mit folgender Funktionalität aufgeteilt:



Inbetriebnahme: Einstellungen z. B. zu Messstellename, Medium, Anwendung, Behälter, Abgleich, Signalausgang

Display: Einstellungen z. B. zur Sprache, Messwertanzeige, Beleuchtung

Diagnose: Informationen z. B. zu Gerätestatus, Schleppzeiger, Messsicherheit, Simulation, Echokurve

Weitere Einstellungen: Geräteeinheit, Störsignalausblendung, Linearisierungskurve, Reset, Datum/Uhrzeit, Reset, Kopierfunktion

Info: Geräte name, Hard- und Softwareversion, Kalibrierdatum, Gerätemerkmale



Information:

In dieser Betriebsanleitung werden die gerätespezifischen Parameter in den Menübereichen "Inbetriebnahme", "Diagnose" und "Weitere Einstellungen" beschrieben. Die allgemeinen Parameter in diesen Menübereichen werden in der Betriebsanleitung "Anzeige- und Bedienmodul" beschrieben.

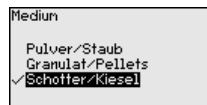
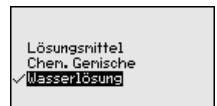
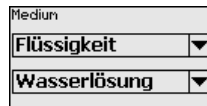
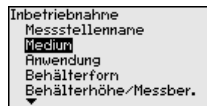
In der Betriebsanleitung "Anzeige- und Bedienmodul" finden Sie auch die Beschreibung der Menübereiche "Display" und "Info".

Im Hauptmenüpunkt "Inbetriebnahme" sollten zur optimalen Einstellung der Messung die einzelnen Untermenüpunkte nacheinander ausgewählt und mit den richtigen Parametern versehen werden. Die Vorgehensweise wird nachfolgend beschrieben.

Inbetriebnahme - Medium

Jedes Füllgut hat ein unterschiedliches Reflexionsverhalten. Bei Flüssigkeiten kommen unruhige Füllgutoberflächen und Schaumbildung als störende Faktoren hinzu. Bei Schüttgütern sind dies Staubeentwicklung, Schüttkegel und zusätzliche Echos durch die Behälterwand.

Um den Sensor an diese unterschiedlichen Messbedingungen anzupassen, sollte in diesem Menüpunkt zuerst die Auswahl "Flüssigkeit" oder "Schüttgut" getroffen werden.



MAN 0000102666 ML Version: C Status: RL (released | freigegeben) printed: 22.09.2017

41783-DE-141202

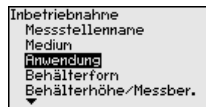
Inbetriebnahme - Anwendung

Durch diese Auswahl wird der Sensor optimal an das Produkt angepasst und die Messsicherheit vor allem bei Medien mit schlechten Reflexionseigenschaften deutlich erhöht.

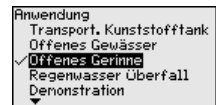
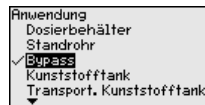
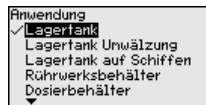
Geben Sie die gewünschten Parameter über die entsprechenden Tasten ein, speichern Ihre Eingaben mit **[OK]** und gehen Sie mit **[ESC]** und **[->]** zum nächsten Menüpunkt.

Zusätzlich zum Medium kann auch die Anwendung bzw. der Einsatzort die Messung beeinflussen.

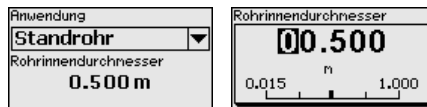
Dieser Menüpunkt ermöglicht es Ihnen, den Sensor an die Messbedingungen anzupassen. Die Einstellmöglichkeiten hängen von der getroffenen Auswahl "*Flüssigkeit*" oder "*Schüttgut*" unter "*Medium*" ab.



Bei "*Flüssigkeit*" stehen folgende Auswahlmöglichkeiten zur Verfügung:



Die Auswahl "*Standrohr*" öffnet ein neues Fenster, in dem der Innendurchmesser des verwendeten Standrohres eingegeben wird.



Den Anwendungen liegen folgende Merkmale zugrunde:

Lagertank:

- Aufbau: großvolumig, stehend zylindrisch, liegend rund
- Füllgeschwindigkeit: langsame Befüllung und Entleerung
- Prozess-/Messbedingungen:
 - Kondensatbildung
 - Ruhige Füllgutoberfläche
 - Hohe Anforderungen an die Messgenauigkeit
- Eigenschaften Sensor:
 - Geringe Empfindlichkeit gegen sporadische Störechos
 - Stabile und sichere Messwerte durch Mittelwertbildung
 - Hohe Messgenauigkeit
 - Kurze Reaktionszeit des Sensors nicht erforderlich

Lagertank mit Produktumwälzung:

- Aufbau: großvolumig, stehend zylindrisch, liegend rund
- Füllgeschwindigkeit: langsame Befüllung und Entleerung
- Einbauten: kleines seitlich eingebautes oder großes von oben eingebautes Rührwerk
- Prozess-/Messbedingungen:

- Relativ ruhige Füllgutoberfläche
- Hohe Anforderungen an die Messgenauigkeit
- Kondensatbildung
- Geringe Schaumbildung
- Überfüllung möglich
- Eigenschaften Sensor:
 - Geringe Empfindlichkeit gegen sporadische Störechos
 - Stabile und sichere Messwerte durch Mittelwertbildung
 - Hohe Messgenauigkeit, da nicht für max. Geschwindigkeit eingestellt
 - Störsignalausblendung empfohlen

Lagertank auf Schiffen (Cargo Tank):

- Füllgutgeschwindigkeit: langsame Befüllung und Entleerung
- Behälter:
 - Einbauten im Bodenbereich (Versteifungen, Heizschlangen)
 - Hohe Stutzen 200 ... 500 mm, auch mit großen Durchmessern
- Prozess-/Messbedingungen:
 - Kondensatbildung, Produktablagerungen durch Bewegung
 - Höchste Anforderung an die Messgenauigkeit ab 95 %
- Eigenschaften Sensor:
 - Geringe Empfindlichkeit gegen sporadische Störechos
 - Stabile und sichere Messwerte durch Mittelwertbildung
 - Hohe Messgenauigkeit
 - Störsignalausblendung erforderlich

Rührwerksbehälter (Reaktor):

- Aufbau: alle Behältergrößen möglich
- Füllgutgeschwindigkeit:
 - Schnelle bis langsame Befüllung möglich
 - Behälter wird sehr häufig befüllt und entleert
- Behälter:
 - Stutzen vorhanden
 - Große Rührwerksflügel aus Metall
 - Strömungsbrecher, Heizschlangen
- Prozess-/Messbedingungen:
 - Kondensatbildung, Produktablagerungen durch Bewegung
 - Starke Trombenbildung
 - Stark bewegte Oberfläche, Schaumbildung
- Eigenschaften Sensor:
 - Höhere Messgeschwindigkeit durch weniger Mittelwertbildung
 - Sporadische Störechos werden unterdrückt

Dosierbehälter:

- Aufbau: alle Behältergrößen möglich
- Füllgutgeschwindigkeit:
 - Sehr schnelle Befüllung und Entleerung
 - Behälter wird sehr häufig befüllt und entleert
- Behälter: beengte Einbausituation
- Prozess-/Messbedingungen:
 - Kondensatbildung, Produktablagerungen an der Antenne
 - Schaumbildung
- Eigenschaften Sensor:

- Messgeschwindigkeit optimiert durch nahezu keine Mittelwertbildung
- Sporadische Störechos werden unterdrückt
- Störsignalausblendung empfohlen

Standrohr:

- Füllgutgeschwindigkeit: Sehr schnelle Befüllung und Entleerung
- Behälter:
 - Entlüftungsbohrung
 - Verbindungsstellen wie Flansche, Schweißnähte
 - Laufzeitverschiebung im Rohr
- Prozess-/Messbedingungen:
 - Kondensatbildung
 - Anhaftungen
- Eigenschaften Sensor:
 - Messgeschwindigkeit optimiert durch wenig Mittelwertbildung
 - Eingabe des Rohrinneindurchmessers berücksichtigt die Laufzeitverschiebung
 - Echodetektionsempfindlichkeit reduziert

Bypass:

- Füllgutgeschwindigkeit:
 - Schnelle bis langsame Befüllung bei kurzen bis langen Bypassrohren möglich
 - Oft wird der Füllstand über eine Regelung gehalten
- Behälter:
 - Seitliche Zugänge und Abgänge
 - Verbindungsstellen wie Flansche, Schweißnähte
 - Laufzeitverschiebung im Rohr
- Prozess-/Messbedingungen:
 - Kondensatbildung
 - Anhaftungen
 - Trennung von Öl und Wasser möglich
 - Überfüllung bis in die Antenne möglich
- Eigenschaften Sensor:
 - Messgeschwindigkeit optimiert durch wenig Mittelwertbildung
 - Eingabe des Rohrinneindurchmessers berücksichtigt die Laufzeitverschiebung
 - Echodetektionsempfindlichkeit reduziert
 - Störsignalausblendung empfohlen

Kunststofftank:

- Behälter:
 - Messung fest an- bzw. eingebaut
 - Messung je nach Anwendung durch die Behälterdecke
 - Bei leerem Behälter kann Messung durch den Boden gehen
- Prozess-/Messbedingungen:
 - Kondensatbildung an der Kunststoffdecke
 - Bei Außenanlagen Ablagerung von Wasser oder Schnee auf der Behälterdecke möglich
- Eigenschaften Sensor:
 - Störsignale außerhalb des Behälters werden auch berücksichtigt

- Störsignalausblendung empfohlen

Transportabler Kunststoffank:

- Behälter:
 - Material und Dicke unterschiedlich
 - Messung durch die Behälterdecke
- Prozess-/Messbedingungen:
 - Messwertsprung beim Behältertausch
- Eigenschaften Sensor:
 - Schnelle Anpassung an veränderte Reflexionsbedingungen durch Behälterwechsel
 - Störsignalausblendung erforderlich

Offenes Gewässer (Pegelmessung):

- Pegeländerungsgeschwindigkeit: langsame Pegeländerung
- Prozess-/Messbedingungen:
 - Abstand Sensor Wasseroberfläche ist groß
 - Hohe Dämpfung des Ausgangssignals aufgrund von Wellenbildung
 - Eis- und Kondensatbildung an der Antenne möglich
 - Spinnen und Insekten nisten in den Antennen
 - Schwemmgut oder Tiere sporadisch auf der Wasseroberfläche
- Eigenschaften Sensor:
 - Stabile und sichere Messwerte durch hohe Mittelwertbildung
 - Unempfindlich im Nahbereich

Offenes Gerinne (Durchflussmessung):

- Pegeländerungsgeschwindigkeit: langsame Pegeländerung
- Prozess-/Messbedingungen:
 - Eis- und Kondensatbildung an der Antenne möglich
 - Spinnen und Insekten nisten in den Antennen
 - Ruhige Wasseroberfläche
 - Genaues Messergebnis gefordert
 - Abstände zur Wasseroberfläche normalerweise relativ groß
- Eigenschaften Sensor:
 - Stabile und sichere Messwerte durch hohe Mittelwertbildung
 - Unempfindlich im Nahbereich

Regenwasserüberfall (Wehr):

- Pegeländerungsgeschwindigkeit: langsame Pegeländerung
- Prozess-/Messbedingungen:
 - Eis- und Kondensatbildung an der Antenne möglich
 - Spinnen und Insekten nisten in den Antennen
 - Turbulente Wasseroberfläche
 - Sensorüberflutung möglich
- Eigenschaften Sensor:
 - Stabile und sichere Messwerte durch hohe Mittelwertbildung
 - Unempfindlich im Nahbereich

Demonstration:

- Einstellung für alle Anwendungen, die nicht typisch Füllstandmessung sind
 - Gerätedemonstration

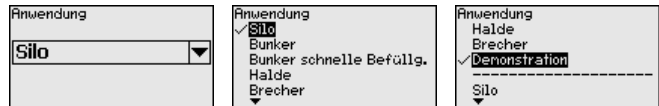
- Objekterkennung/-überwachung (zusätzliche Einstellungen erforderlich)
- Eigenschaften Sensor:
 - Sensor akzeptiert jegliche Messwertänderung innerhalb des Messbereichs sofort
 - Hohe Empfindlichkeit gegen Störungen, da fast keine Mittelwertbildung


Vorsicht:

Falls im Behälter eine Trennung von Flüssigkeiten mit unterschiedlicher Dielektrizitätszahl auftritt, z. B. durch Kondenswasserbildung, dann kann der Radarsensor unter bestimmten Umständen nur das Füllgut mit der höheren Dielektrizitätszahl detektieren. Beachten Sie, dass Trennschichten somit zu Fehlmessungen führen können.

Wenn Sie die Gesamthöhe beider Flüssigkeiten sicher messen wollen, kontaktieren Sie unseren Service oder verwenden Sie ein Gerät zur Trennschichtmessung.

Bei "Schüttgut" stehen folgende Auswahlmöglichkeiten zur Verfügung:



Den Anwendungen liegen folgende Merkmale zugrunde:

Silo (schlank und hoch):

- Behälter aus Metall: Schweißnähte
- Prozess-/Messbedingungen:
 - Befüllung dicht am Sensor
 - Systemrauschen bei völlig leerem Silo erhöht
- Eigenschaften Sensor:
 - Stabile Messwerte durch höhere Mittelwertbildung
 - Störsignalausblendung bei Inbetriebnahme empfohlen, für automatische Störsignalausblendung erforderlich
 - Automatische Störsignalausblendung bei teilbefülltem Behälter

Bunker (großvolumig):

- Behälter aus Beton oder Metall:
 - Strukturierte Behälterwände
 - Einbauten vorhanden
- Prozess-/Messbedingungen:
 - Großer Abstand zum Füllgut
 - Große Schüttwinkel
- Eigenschaften Sensor:
 - Mittlere Mittelwertbildung
 - Große Messwertsprünge werden akzeptiert

Bunker mit schneller Befüllung:

- Behälter aus Beton oder Metall, auch Mehrkammersilo:
 - Strukturierte Behälterwände
 - Einbauten vorhanden
- Prozess-/Messbedingungen:

- Messwertsprünge, z. B. durch LKW-Befüllung
- Großer Abstand zum Füllgut
- Große Schüttwinkel
- Eigenschaften Sensor:
 - Geringere Mittelwertbildung
 - Sehr große Messwertsprünge werden akzeptiert

Halde:

- Sensormontage am beweglichen Förderband
- Erfassung des Haldenprofils
- Höhererfassung während der Aufschüttung
- Prozess-/Messbedingungen:
 - Messwertsprünge z. B. durch das Profil der Halde und Traversen
 - Große Schüttwinkel
 - Messung dicht am Befüllstrom
- Eigenschaften Sensor:
 - Mittlere Mittelwertbildung
 - Große Messwertsprünge werden akzeptiert

Brecher:

- Behälter: Einbauten, Verschleiß- und Schutzeinrichtungen vorhanden
- Prozess-/Messbedingungen:
 - Messwertsprünge, z. B. durch LKW-Befüllung
 - Schnelle Reaktionsgeschwindigkeit
 - Großer Abstand zum Füllgut
- Eigenschaften Sensor:
 - Kaum Mittelwertbildung
 - Max. Reaktionsgeschwindigkeit, sehr große Messwertsprünge werden akzeptiert

Demonstration:

- Einstellung für alle Anwendungen, die nicht typisch Füllstandmessung sind
 - Gerätedemonstration
 - Objekterkennung/-überwachung (zusätzliche Einstellungen erforderlich)
- Eigenschaften Sensor:
 - Sensor akzeptiert jegliche Messwertänderung innerhalb des Messbereichs sofort
 - Hohe Empfindlichkeit gegen Störungen, da fast keine Mittelwertbildung

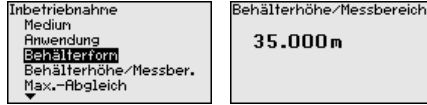
Durch diese Auswahl wird der Sensor optimal an die Anwendung bzw. an den Einsatzort angepasst und die Messsicherheit bei den unterschiedlichen Rahmenbedingungen deutlich erhöht.

Geben Sie die gewünschten Parameter über die entsprechenden Tasten ein, speichern Ihre Eingaben mit **[OK]** und gehen Sie mit **[ESC]** und **[->]** zum nächsten Menüpunkt.

Inbetriebnahme - Behälterhöhe, Messbereich

Durch diese Auswahl wird der Arbeitsbereich des Sensors an die Behälterhöhe angepasst und die Messsicherheit bei den unterschiedlichen Rahmenbedingungen deutlich erhöht.

Unabhängig davon ist nachfolgend noch der Min.-Abgleich durchzuführen.



Geben Sie die gewünschten Parameter über die entsprechenden Tasten ein, speichern Ihre Eingaben mit **[OK]** und gehen Sie mit **[ESC]** und **[->]** zum nächsten Menüpunkt.

Inbetriebnahme - Behälterform

Neben dem Medium und der Anwendung kann auch die Behälterform die Messung beeinflussen. Um den Sensor an diese Messbedingungen anzupassen, bietet Ihnen dieser Menüpunkt bei bestimmten Anwendungen für Behälterboden und -decke verschiedene Auswahlmöglichkeiten.



Geben Sie die gewünschten Parameter über die entsprechenden Tasten ein, speichern Ihre Eingaben mit **[OK]** und gehen Sie mit **[ESC]** und **[->]** zum nächsten Menüpunkt.

Inbetriebnahme - Abgleich

Da es sich bei einem Radarsensor um ein Distanzmessgerät handelt, wird die Entfernung vom Sensor bis zur Füllgutoberfläche gemessen. Um die eigentliche Füllguthöhe anzeigen zu können, muss eine Zuweisung der gemessenen Distanz zur prozentualen Höhe erfolgen. Zur Durchführung dieses Abgleichs wird die Distanz bei vollem und leerem Behälter eingegeben, siehe folgendes Beispiel:

MAN 100010268-ML Version: C Status: RL (released) freigegeben) printed: 22.09.2017

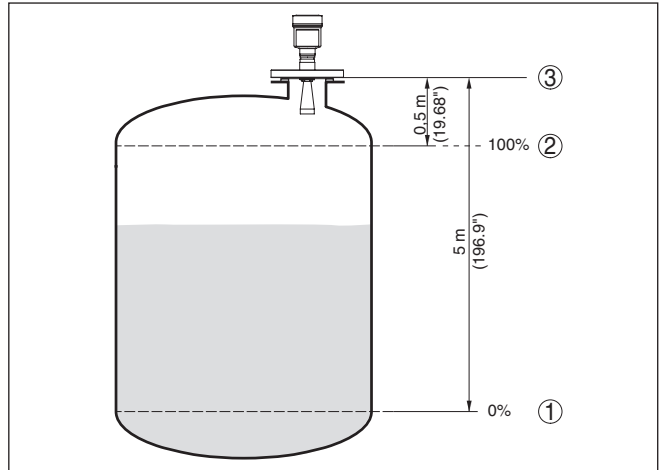


Abb. 25: Parametrierbeispiel Min.-/Max.-Abgleich

- 1 Min. Füllstand = max. Messdistanz
- 2 Max. Füllstand = min. Messdistanz
- 3 Bezugsebene

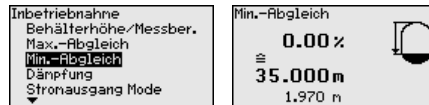
Sind diese Werte nicht bekannt, kann auch mit den Distanzen beispielsweise von 10 % und 90 % abgeglichen werden. Ausgangspunkt für diese Distanzangaben ist immer die Bezugsebene, d. h. die Dichtfläche des Gewindes oder Flansches. Angaben zur Bezugsebene finden Sie im Kapitel "Technische Daten". Anhand dieser Eingaben wird dann die eigentliche Füllhöhe errechnet.

Der aktuelle Füllstand spielt bei diesem Abgleich keine Rolle, der Min.-/Max.-Abgleich wird immer ohne Veränderung des Füllguts durchgeführt. Somit können diese Einstellungen bereits im Vorfeld durchgeführt werden, ohne dass das Gerät eingebaut sein muss.

Inbetriebnahme - Min.-Abgleich

Gehen Sie wie folgt vor:

1. Den Menüpunkt "Inbetriebnahme" mit **[>]** auswählen und mit **[OK]** bestätigen. Nun mit **[>]** den Menüpunkt "Min.-Abgleich" auswählen und mit **[OK]** bestätigen.

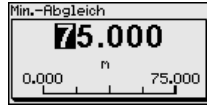


2. Mit **[OK]** den Prozentwert editieren und den Cursor mit **[>]** auf die gewünschte Stelle setzen.



3. Den gewünschten Prozentwert mit **[+]** einstellen und mit **[OK]** speichern. Der Cursor springt nun auf den Distanzwert.

MAN 1000102666 ML Version: C Status: RL (released | freigeben) printed: 22.09.2017

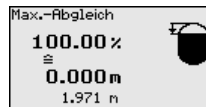
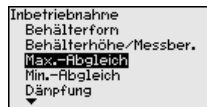


4. Passend zum Prozentwert den passenden Distanzwert in Meter für den leeren Behälter eingeben (z. B. Distanz vom Sensor bis zum Behälterboden).
5. Einstellungen mit **[OK]** speichern und mit **[ESC]** und **[->]** zum Max.-Abgleich wechseln.

Inbetriebnahme - Max.-Abgleich

Gehen Sie wie folgt vor:

1. Mit **[->]** den Menüpunkt Max.-Abgleich auswählen und mit **[OK]** bestätigen.



2. Mit **[OK]** den Prozentwert zum Editieren vorbereiten und den Cursor mit **[->]** auf die gewünschte Stelle setzen.



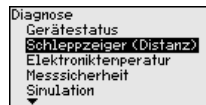
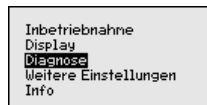
3. Den gewünschten Prozentwert mit **[+]** einstellen und mit **[OK]** speichern. Der Cursor springt nun auf den Distanzwert.



4. Passend zum Prozentwert den passenden Distanzwert in Meter für den vollen Behälter eingeben. Beachten Sie dabei, dass der maximale Füllstand unterhalb des Mindestabstandes zum Antennenrand liegen muss.
5. Einstellungen mit **[OK]** speichern

Diagnose - Schleppzeiger

Im Sensor werden der jeweils minimale und maximale Messwert gespeichert. Im Menüpunkt "Schleppzeiger" werden die Werte angezeigt.

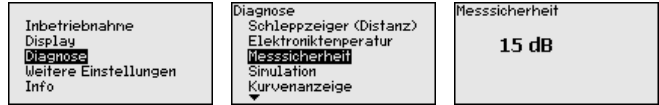


Diagnose - Messsicherheit

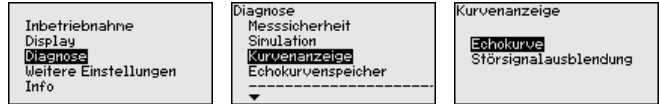
Bei berührungslos arbeitenden Füllstandensensoren kann die Messung durch die Prozessbedingungen beeinflusst werden. In diesem Menüpunkt wird die Messsicherheit des Füllstandechos als dB-Wert angezeigt. Die Messsicherheit ist Signalstärke minus Rauschen. Je größer der Wert ist, desto sicherer funktioniert die Messung. Bei einer funktionierenden Messung sind die Werte > 10 dB.

41783-DE-141202

41783-DE-141202
 MAN 00102666 ML Version: C Status: RL (released | freigegeben) | printed: 2-09-2017
 Diagnose - Kurvenan-
 zeige
 Diagnose - Echokurven-
 speicher

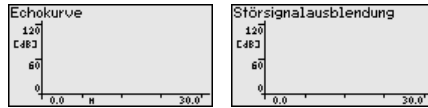


Die "Echokurve" stellt die Signalstärke der Echos über den Messbereich in dB dar. Die Signalstärke ermöglicht eine Beurteilung der Qualität der Messung.



Die "Störsignalausblendung" stellt die gespeicherten Störechos (siehe Menü "weitere Einstellungen") des leeren Behälters mit Signalstärke in "dB" über den Messbereich dar.

Ein Vergleich von Echokurve und Störsignalausblendung lässt eine genauere Aussage über die Messsicherheit zu.

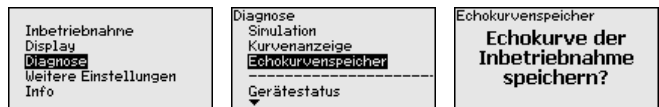


Die gewählte Kurve wird laufend aktualisiert. Mit der Taste [OK] wird ein Untermenü mit Zoom-Funktionen geöffnet:

- "X-Zoom": Lupenfunktion für die Messentfernung
- "Y-Zoom": 1-, 2-, 5- und 10-fache Vergrößerung des Signals in "dB"
- "Unzoom": Rücksetzen der Darstellung auf den Nennmessbereich mit einfacher Vergrößerung

Die Funktion "Echokurvenspeicher" ermöglicht es, die Echokurve zum Zeitpunkt der Inbetriebnahme zu speichern. Generell ist dies empfehlenswert, zur Nutzung der Asset-Management-Funktionalität sogar zwingend erforderlich. Die Speicherung sollte bei möglichst geringem Füllstand erfolgen.

Mit der Bediensoftware PACTware und dem PC kann die hochaufgelöste Echokurve angezeigt und genutzt werden, um Signalveränderungen über die Betriebszeit zu erkennen. Zusätzlich kann die Echokurve der Inbetriebnahme auch im Echokurvenfenster eingeblendet und mit der aktuellen Echokurve verglichen werden.



Folgende Gegebenheiten verursachen Störreflexionen und können die Messung beeinträchtigen:

- Hohe Stutzen
- Behältereinbauten, wie Verstrebungen
- Rührwerke

- Anhaftungen oder Schweißnähte an Behälterwänden

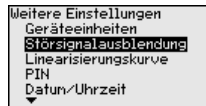
**Hinweis:**

Eine Störsignalausblendung erfasst, markiert und speichert diese Störsignale, damit sie für die Füllstandmessung nicht mehr berücksichtigt werden.

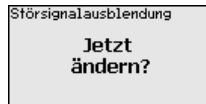
Dies sollte bei geringem Füllstand erfolgen, damit alle evtl. vorhandenen Störreflexionen erfasst werden können.

Gehen Sie wie folgt vor:

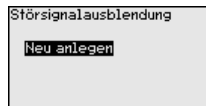
1. Mit [->] den Menüpunkt "*Störsignalausblendung*" auswählen und mit **[OK]** bestätigen.



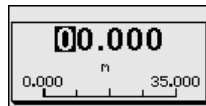
2. Wieder mit **[OK]** bestätigen.



3. Wieder mit **[OK]** bestätigen.



4. Wieder mit **[OK]** bestätigen und die tatsächliche Distanz vom Sensor bis zur Oberfläche des Füllgutes eingeben.

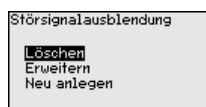


5. Alle in diesem Bereich vorhandenen Störsignale werden nun nach Bestätigen mit **[OK]** vom Sensor erfasst und abgespeichert.

**Hinweis:**

Überprüfen Sie die Distanz zur Füllgutoberfläche, da bei einer falschen (zu großen) Angabe der aktuelle Füllstand als Störsignal abgespeichert wird. Somit kann in diesem Bereich der Füllstand nicht mehr erfasst werden.

Wurde im Sensor bereits eine Störsignalausblendung angelegt, so erscheint bei Anwahl "*Störsignalausblendung*" folgendes Menüfenster:



Löschen: eine bereits angelegte Störsignalausblendung wird komplett gelöscht. Dies ist sinnvoll, wenn die angelegte Störsignalaus-

MAN 1000102666 ML Version: C Status: RL (released | freigegeben) printed: 22.09.2017

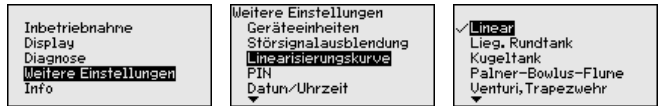
Weitere Einstellungen - Linearisierungskurve

blendung nicht mehr zu den messtechnischen Gegebenheiten des Behälters passt.

Erweitern: eine bereits angelegte Störsignalausblendung wird erweitert. Dies ist sinnvoll, wenn eine Störsignalausblendung bei einem zu hohen Füllstand durchgeführt wurde und damit nicht alle Störsignale erfasst werden konnten. Bei Anwahl "Erweitern" wird die Distanz zur Füllgutoberfläche der angelegten Störsignalausblendung angezeigt. Dieser Wert kann nun verändert und die Störsignalausblendung auf diesen Bereich erweitert werden.

Eine Linearisierung ist bei allen Behältern erforderlich, bei denen das Behältervolumen nicht linear mit der Füllstandhöhe ansteigt - z. B. bei einem liegenden Rundtank oder Kugeltank - und die Anzeige oder Ausgabe des Volumens gewünscht ist. Für diese Behälter sind entsprechende Linearisierungskurven hinterlegt. Sie geben das Verhältnis zwischen prozentualer Füllstandhöhe und dem Behältervolumen an.

Durch Aktivierung der passenden Kurve wird das prozentuale Behältervolumen korrekt angezeigt. Falls das Volumen nicht in Prozent, sondern beispielsweise in Liter oder Kilogramm angezeigt werden soll, kann zusätzlich eine Skalierung im Menüpunkt "Display" eingestellt werden.



Geben Sie die gewünschten Parameter über die entsprechenden Tasten ein, speichern Sie Ihre Eingaben und springen Sie mit der [ESC]- und [->]-Taste zum nächsten Menüpunkt.



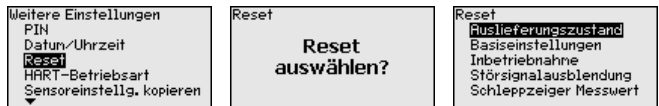
Vorsicht:

Beim Einsatz von Geräten mit entsprechender Zulassung als Teil einer Überfüllsicherung nach WHG ist folgendes zu beachten:

Wird eine Linearisierungskurve gewählt, so ist das Messsignal nicht mehr zwangsweise linear zur Füllhöhe. Dies ist vom Anwender insbesondere bei der Einstellung des Schaltpunktes am Grenzsignalgeber zu berücksichtigen.

Weitere Einstellungen - Reset

Bei einem Reset werden bestimmte vom Anwender durchgeführte Parametereinstellungen zurückgesetzt.



Folgende Resetfunktionen stehen zur Verfügung:

Auslieferungszustand: Wiederherstellen der Parametereinstellungen zum Zeitpunkt der Auslieferung ab Werk inkl. der auftragsspezifischen Einstellungen. Eine angelegte Störsignalausblendung, frei programmierte Linearisierungskurve sowie der Messwertspeicher werden gelöscht.

41783-DE-141202

Basiseinstellungen: Zurücksetzen der Parametereinstellungen inkl. Spezialparameter auf die Defaultwerte des jeweiligen Gerätes. Eine angelegte Störsignalausblendung, frei programmierte Linearisierungskurve sowie der Messwertspeicher werden gelöscht.

Inbetriebnahme: Zurücksetzen der Parametereinstellungen im Menüpunkt Inbetriebnahme auf die Defaultwerte des jeweiligen Gerätes. Eine angelegte Störsignalausblendung, frei programmierte Linearisierungskurve, Messwertspeicher sowie der Ereignisspeicher bleiben erhalten. Linearisierung wird auf linear gestellt.

Störsignalausblendung: Löschen einer zuvor angelegten Störsignalausblendung. Die im Werk erstellte Störsignalausblendung bleibt aktiv.

Schleppzeiger Messwert: Zurücksetzen der gemessenen Min.- und Max.-Distanzen auf den aktuellen Messwert.

Die folgende Tabelle zeigt die Defaultwerte des Gerätes. Je nach Geräteausführung sind nicht alle Menüpunkte verfügbar bzw. unterschiedlich belegt:

Menü	Menüpunkt	Defaultwert
Inbetriebnahme	Messstellenname	Sensor
	Medium	Flüssigkeit/Wasserlösung Schüttgut/Schotter, Kies
	Anwendung	Lagertank Silo
	Behälterform	Behälterboden klöpperförmig Behälterdeckel klöpperförmig
	Behälterhöhe/ Messbereich	Empf. Messbereich, siehe " <i>Technische Daten</i> " im Anhang
	Min.-Abgleich	Empf. Messbereich, siehe " <i>Technische Daten</i> " im Anhang
	Max.-Abgleich	0,000 m(d)
	Dämpfung	0,0 s
	Stromausgang Mode	4 ... 20 mA, < 3,6 mA
	Stromausgang Min./Max.	Min.-Strom 3,8 mA, Max.-Strom 20,5 mA
	Bedienung sperren	Freigegeben

Menü	Menüpunkt	Defaultwert
Display	Sprache	Wie Auftrag
	Anzeigewert	Distanz
	Anzeigeeinheit	m
	Skalierungsgröße	Volumen l
	Skalierung	0,00 lin %, 0 l 100,00 lin %, 100 l
	Beleuchtung	Ausgeschaltet
Weitere Einstellungen	Distanzeinheit	m
	Temperatureinheit	°C
	Sondenlänge	Länge des Standrohres ab Werk
	Linearisierungskurve	Linear
	HART-Betriebsart	Standard Adresse 0

6.4 Sicherung der Parametrierdaten

Es wird empfohlen, die eingestellten Daten zu notieren, z. B. in dieser Betriebsanleitung und anschließend zu archivieren. Sie stehen damit für mehrfache Nutzung bzw. für Servicezwecke zur Verfügung.

Ist das Gerät mit einem Anzeige- und Bedienmodul ausgestattet, so können Daten aus dem Sensor in das Anzeige- und Bedienmodul gespeichert werden. Die Vorgehensweise wird in der Betriebsanleitung "*Anzeige- und Bedienmodul*" im Menüpunkt "*Sensordaten kopieren*" beschrieben. Die Daten bleiben dort auch bei einem Ausfall der Sensorversorgung dauerhaft gespeichert.

Folgende Daten bzw. Einstellungen der Bedienung des Anzeige- und Bedienmoduls werden hierbei gespeichert:

- Alle Daten der Menüs "*Inbetriebnahme*" und "*Display*"
- Im Menü "*Weitere Einstellungen*" die Punkte "*Sensorspezifische Einheiten*", "*Temperatureinheit*" und "*Linearisierung*"
- Die Werte der frei programmierbaren Linearisierungskurve

Die Funktion kann auch genutzt werden, um Einstellungen von einem Gerät auf ein anderes Gerät des gleichen Typs zu übertragen. Sollte ein Austausch des Sensors erforderlich sein, so wird das Anzeige- und Bedienmodul in das Austauschgerät gesteckt und die Daten ebenfalls im Menüpunkt "*Sensordaten kopieren*" in den Sensor geschrieben.

7 In Betrieb nehmen mit PACTware

7.1 Den PC anschließen

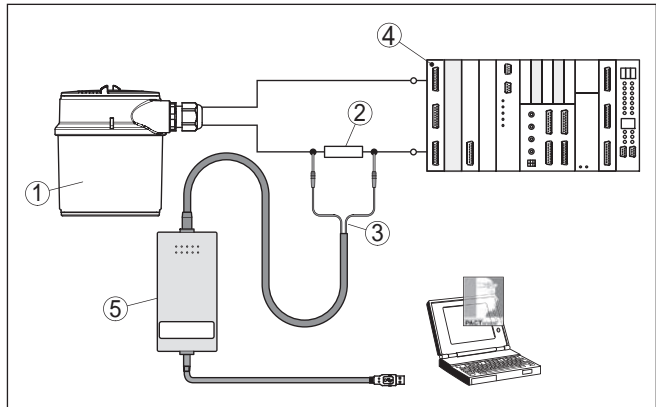


Abb. 26: Anschluss des PCs via HART an die Signalleitung

- 1 Sensor
- 2 HART-Widerstand 250 Ω (optional je nach Auswertung)
- 3 Anschlusskabel mit 2 mm-Steckerstiften und Klemmen
- 4 Auswertesystem/SPS/Spannungsversorgung

7.2 Parametrierung mit PACTware

Zur Parametrierung des Sensors über einen Windows-PC ist die Konfigurationssoftware PACTware und ein passender Gerätetreiber (DTM) nach dem FDT-Standard erforderlich. Die jeweils aktuelle PACTware-Version sowie alle verfügbaren DTMs sind in einer DTM Collection zusammengefasst. Weiterhin können die DTMs in andere Rahmenapplikationen nach FDT-Standard eingebunden werden.



Hinweis:

Um die Unterstützung aller Gerätefunktionen sicherzustellen, sollten Sie stets die neueste DTM Collection verwenden. Weiterhin sind nicht alle beschriebenen Funktionen in älteren Firmwareversionen enthalten. Die neueste Gerätesoftware können Sie von unserer Homepage herunterladen. Eine Beschreibung des Updateablaufs ist ebenfalls im Internet verfügbar.

7.3 Sicherung der Parametrierdaten

Es wird empfohlen, die Parametrierdaten über PACTware zu dokumentieren bzw. zu speichern. Sie stehen damit für mehrfache Nutzung bzw. für Servicezwecke zur Verfügung.

8 In Betrieb nehmen mit anderen Systemen

8.1 DD-Bedienprogramme

Für das Gerät stehen Gerätebeschreibungen als Enhanced Device Description (EDD) für DD-Bedienprogramme wie z. B. AMS™ und PDM zur Verfügung.

8.2 Communicator 375, 475

Für das Gerät stehen Gerätebeschreibungen als DD bzw. EDD zur Parametrierung mit dem Field Communicator 375 bzw. 475 zur Verfügung.

9 Diagnose, Asset Management und Service

9.1 Wartung

Bei bestimmungsgemäßer Verwendung ist im Normalbetrieb keine Wartung erforderlich.

9.2 Diagnosespeicher

Das Gerät verfügt über mehrere Speicher, die zu Diagnosezwecken zur Verfügung stehen. Die Daten bleiben auch bei Spannungsunterbrechung erhalten.

Bis zu 100.000 Messwerte können im Sensor in einem Ringspeicher gespeichert werden. Jeder Eintrag enthält Datum/Uhrzeit sowie den jeweiligen Messwert. Speicherbare Werte sind z. B.:

- Distanz
- Füllhöhe
- Prozentwert
- Lin.-Prozent
- Skaliert
- Stromwert
- Messsicherheit
- Elektroniktemperatur

Der Messwertspeicher ist im Auslieferungszustand aktiv und speichert alle 3 Minuten Distanz, Messsicherheit und Elektroniktemperatur.

Die gewünschten Werte und Aufzeichnungsbedingungen werden über einen PC mit PACTware/DTM bzw. das Leitsystem mit EDD festgelegt. Auf diesem Wege werden die Daten ausgelesen bzw. auch zurückgesetzt.

Bis zu 500 Ereignisse werden mit Zeitstempel automatisch im Sensor nicht löschar gespeichert. Jeder Eintrag enthält Datum/Uhrzeit, Ereignistyp, Ereignisbeschreibung und Wert. Ereignistypen sind z. B.:

- Änderung eines Parameters
- Ein- und Ausschaltzeitpunkte
- Statusmeldungen (nach NE 107)
- Fehlermeldungen (nach NE 107)

Über einen PC mit PACTware/DTM bzw. das Leitsystem mit EDD werden die Daten ausgelesen.

Die Echokurven werden hierbei mit Datum und Uhrzeit und den dazugehörigen Echodaten gespeichert. Der Speicher ist in zwei Bereiche aufgeteilt:

Echokurve der Inbetriebnahme: Diese dient als Referenz-Echokurve für die Messbedingungen bei der Inbetriebnahme. Veränderungen der Messbedingungen im Betrieb oder Anhaftungen am Sensor lassen sich so erkennen. Die Echokurve der Inbetriebnahme wird gespeichert über:

- PC mit PACTware/DTM

MAN 1000102666 ML Version: C Status: RL (released | freigegeben) printed: 22.09.2017
Messwertspeicher
Ereignisspeicher

Echokurvenspeicher

- Leitsystem mit EDD
- Anzeige- und Bedienmodul

Weitere Echokurven: In diesem Speicherbereich können bis zu 10 Echokurven im Sensor in einem Ringspeicher gespeichert werden. Die weiteren Echokurve werden gespeichert über:

- PC mit PACTware/DTM
- Leitsystem mit EDD

9.3 Asset-Management-Funktion

Das Gerät verfügt über eine Selbstüberwachung und Diagnose nach NE 107 und VDI/VDE 2650. Zu den in den folgenden Tabellen angegebenen Statusmeldungen sind detailliertere Fehlermeldungen unter dem Menüpunkt "Diagnose" via Anzeige- und Bedienmodul, PACTware/DTM und EDD ersichtlich.

Statusmeldungen

Die Statusmeldungen sind in folgende Kategorien unterteilt:

- Ausfall
- Funktionskontrolle
- Außerhalb der Spezifikation
- Wartungsbedarf

und durch Piktogramme verdeutlicht:

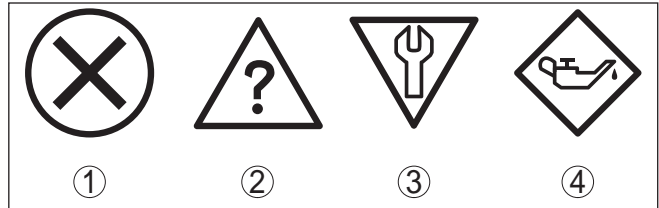


Abb. 27: Piktogramme der Statusmeldungen

- 1 Ausfall (Failure) - rot
- 2 Außerhalb der Spezifikation (Out of specification) - gelb
- 3 Funktionskontrolle (Function check) - orange
- 4 Wartungsbedarf (Maintenance) - blau

Ausfall (Failure): Aufgrund einer erkannten Funktionsstörung im Gerät gibt das Gerät eine Störmeldung aus.

Diese Statusmeldung ist immer aktiv. Eine Deaktivierung durch den Anwender ist nicht möglich.

Funktionskontrolle (Function check): Am Gerät wird gearbeitet, der Messwert ist vorübergehend ungültig (z. B. während der Simulation).

Diese Statusmeldung ist per Default inaktiv. Eine Aktivierung durch den Anwender über PACTware/DTM oder EDD ist möglich.

Außerhalb der Spezifikation (Out of specification): Der Messwert ist unsicher, da die Gerätespezifikation überschritten ist (z. B. Elektromotortemperatur).

MAN 1000102666 ML Version: C Status: RL (released | freigegeben) printed: 22.09.2017

Failure

Diese Statusmeldung ist per Default inaktiv. Eine Aktivierung durch den Anwender über PACTware/DTM oder EDD ist möglich.

Wartungsbedarf (Maintenance): Durch externe Einflüsse ist die Gerätefunktion eingeschränkt. Die Messung wird beeinflusst, der Messwert ist noch gültig. Gerät zur Wartung einplanen, da Ausfall in absehbarer Zeit zu erwarten ist (z. B. durch Anhaftungen).

Diese Statusmeldung ist per Default inaktiv. Eine Aktivierung durch den Anwender über PACTware/DTM oder EDD ist möglich.

Die folgende Tabelle zeigt die Fehlercodes und Textmeldungen in der Statusmeldung "Failure" und gibt Hinweise zur Ursache und Beseitigung. Dabei ist zu beachten, dass einige Angaben nur bei Vierleitergeräten gelten.

Code Textmeldung	Ursache	Beseitigung
F013 Kein Messwert vorhanden	<ul style="list-style-type: none"> - Sensor detektiert während des Betriebes kein Echo - Antennensystem verschmutzt oder defekt 	<ul style="list-style-type: none"> - Einbau und/oder Parametrierung prüfen bzw. korrigieren - Prozessbaugruppe bzw. Antenne reinigen oder tauschen
F017 Abgleichspanne zu klein	<ul style="list-style-type: none"> - Abgleich nicht innerhalb der Spezifikation 	<ul style="list-style-type: none"> - Abgleich entsprechend der Grenzwerte ändern (Differenz zwischen Min. und Max. ≥ 10 mm)
F025 Fehler in der Linearisierungstabelle	<ul style="list-style-type: none"> - Stützstellen sind nicht stetig steigend, z. B. unlogische Wertepaare 	<ul style="list-style-type: none"> - Linearisierungstabelle prüfen - Tabelle löschen/neu anlegen
F036 Keine lauffähige Software	<ul style="list-style-type: none"> - Fehlgeschlagenes oder abgebrochenes Softwareupdate 	<ul style="list-style-type: none"> - Softwareupdate wiederholen - Elektronikausführung prüfen - Elektronik austauschen - Gerät zur Reparatur einsenden
F040 Fehler in der Elektronik	<ul style="list-style-type: none"> - Hardwaredefekt 	<ul style="list-style-type: none"> - Elektronik austauschen - Gerät zur Reparatur einsenden
F080 Allgemeiner Softwarefehler	<ul style="list-style-type: none"> - Allgemeiner Softwarefehler 	<ul style="list-style-type: none"> - Betriebsspannung kurzzeitig trennen
F105 Ermittle Messwert	<ul style="list-style-type: none"> - Gerät befindet sich noch in der Einschaltphase, der Messwert konnte noch nicht ermittelt werden 	<ul style="list-style-type: none"> - Ende der Einschaltphase abwarten - Dauer je nach Ausführung und Parametrierung bis ca. 3 min.

41783-DE-141202

MAN 0000102666 ML Version: C Status: RL (released | freigegeben) printed: 22.09.2017

Code Textmeldung	Ursache	Beseitigung
F113 Kommunikationsfehler	<ul style="list-style-type: none"> - EMV-Störungen - Übertragungsfehler bei der internen Kommunikation mit dem Vierleiter-Netzteil 	<ul style="list-style-type: none"> - EMV-Einflüsse beseitigen - Vierleiter-Netzteil oder Elektronik austauschen
F125 Unzulässige Elektroniktemperatur	<ul style="list-style-type: none"> - Temperatur der Elektronik im nicht spezifizierten Bereich 	<ul style="list-style-type: none"> - Umgebungstemperatur prüfen - Elektronik isolieren - Gerät mit höherem Temperaturbereich einsetzen
F260 Fehler in der Kalibrierung	<ul style="list-style-type: none"> - Fehler in der im Werk durchgeführten Kalibrierung - Fehler im EEPROM 	<ul style="list-style-type: none"> - Elektronik austauschen - Gerät zur Reparatur einschicken
F261 Fehler in der Geräteeinstellung	<ul style="list-style-type: none"> - Fehler bei der Inbetriebnahme - Störsignalausblendung fehlerhaft - Fehler beim Ausführen eines Resets 	<ul style="list-style-type: none"> - Inbetriebnahme wiederholen - Reset durchführen
F264 Einbau-/Inbetriebnahmefehler	<ul style="list-style-type: none"> - Abgleich liegt nicht innerhalb der Behälterhöhe/des Messbereichs - Maximaler Messbereich des Gerätes nicht ausreichend 	<ul style="list-style-type: none"> - Einbau und/oder Parametrierung prüfen bzw. korrigieren - Gerät mit größerem Messbereich einsetzen
F265 Messfunktion gestört	<ul style="list-style-type: none"> - Sensor führt keine Messung mehr durch - Betriebsspannung zu niedrig 	<ul style="list-style-type: none"> - Betriebsspannung prüfen - Reset durchführen - Betriebsspannung kurzzeitig trennen

Function check

Die folgende Tabelle zeigt die Fehlercodes und Textmeldungen in der Statusmeldung "*Function check*" und gibt Hinweise zu Ursache und Beseitigung.

Code Textmeldung	Ursache	Beseitigung
C700 Simulation aktiv	<ul style="list-style-type: none"> - Eine Simulation ist aktiv 	<ul style="list-style-type: none"> - Simulation beenden - Automatisches Ende nach 60 Minuten abwarten

Out of specification

Die folgende Tabelle zeigt die Fehlercodes und Textmeldungen in der Statusmeldung "*Out of specification*" und gibt Hinweise zu Ursache und Beseitigung.

41783-DE-141202

Maintenance

Code Textmeldung	Ursache	Beseitigung
S600 Unzulässige Elektroniktemperatur	– Temperatur der Elektronik im nicht spezifizierten Bereich	– Umgebungstemperatur prüfen – Elektronik isolieren – Gerät mit höherem Temperaturbereich einsetzen
S601 Überfüllung	– Gefahr der Überfüllung des Behälters	– Sicherstellen, dass keine weitere Befüllung mehr stattfindet – Füllstand im Behälter prüfen
S603 Unzulässige Betriebsspannung	– Betriebsspannung unterhalb des spezifizierten Bereichs	– Elektrischen Anschluss prüfen – ggf. Betriebsspannung erhöhen

Die folgende Tabelle zeigt die Fehlercodes und Textmeldungen in der Statusmeldung "Maintenance" und gibt Hinweise zu Ursache und Beseitigung.

Code Textmeldung	Ursache	Beseitigung
M500 Fehler bei Reset Auslieferungszustand	– Beim Reset auf Auslieferungszustand konnten die Daten nicht wiederhergestellt werden	– Reset wiederholen – XML-Datei mit Sensordaten in Sensor laden
M501 Fehler in der nicht aktiven Linearisierungstabelle	– Hardwarefehler EEPROM	– Elektronik austauschen – Gerät zur Reparatur einschicken
M502 Fehler im Diagnosespeicher	– Hardwarefehler EEPROM	– Elektronik austauschen – Gerät zur Reparatur einschicken
M503 Messsicherheit zu gering	– Das Echo-/Rauschverhältnis ist zu klein für eine sichere Messung	– Einbau- und Prozessbedingungen überprüfen – Antenne reinigen – Polarisationsrichtung ändern – Gerät mit höherer Empfindlichkeit einsetzen
M504 Fehler an einer Geräteschnittstelle	– Hardwaredefekt	– Anschlüsse prüfen – Elektronik austauschen – Gerät zur Reparatur einschicken

MAN 1000102666 ML Versi... C Status: RL (released | ...
 41783-DE-141202
 4 ... 20 mA-Signal über...
 gegeben) printed: 22.09.2017

Code Textmeldung	Ursache	Beseitigung
M505 Kein Echo vorhanden	- Füllstandecho kann nicht mehr detektiert werden	- Antenne reinigen - Besser geeignete Antenne/ Sensor verwenden - Evt. vorhandene Störechos beseitigen - Sensorposition und Aus- richtung optimieren

9.4 Störungen beseitigen

Die ersten Maßnahmen sind:

- Auswertung von Fehlermeldungen, z. B. über das Anzeige- und Bedienmodul
- Überprüfung des Ausgangssignals
- Behandlung von Messfehlern

Weitere umfassende Diagnosemöglichkeiten bietet Ihnen ein PC mit der Software PACTware und dem passenden DTM. In vielen Fällen lassen sich die Ursachen auf diesem Wege feststellen und die Störungen so beseitigen.

Schließen Sie gemäß Anschlussplan ein Multimeter im passenden Messbereich an. Die folgende Tabelle beschreibt mögliche Fehler im Stromsignal und hilft bei der Beseitigung:

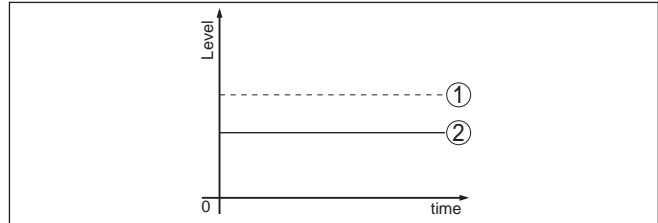
Fehler	Ursache	Beseitigung
4 ... 20 mA-Signal nicht stabil	- Schwankungen der Messgröße	- Dämpfung je nach Gerät über das Anzeige- und Bedienmodul bzw. PACTware/DTM einstellen
4 ... 20 mA-Signal fehlt	- Elektrischer Anschluss fehlerhaft	- Anschluss nach Kapitel " <i>Anschluss-schritte</i> " prüfen und ggf. nach Kapitel " <i>Anschlussplan</i> " korrigieren
	- Spannungsversorgung fehlt	- Leitungen auf Unterbrechung prüfen, ggf. reparieren
	- Betriebsspannung zu niedrig bzw. Bürdenwiderstand zu hoch	- Prüfen, ggf. anpassen
Stromsignal größer 22 mA oder kleiner 3,6 mA	- Elektronikeinsatz im Sensor defekt	- Gerät austauschen bzw. zur Reparatur einsenden

Behandlung von Messfehlern bei Flüssigkeiten

Die unten stehenden Tabellen geben typische Beispiele für anwendungsbedingte Messfehler bei Flüssigkeiten an. Dabei wird unterschieden zwischen Messfehlern bei:

- Konstantem Füllstand
- Befüllung
- Entleerung

Die Bilder in der Spalte "Fehlerbild" zeigen jeweils den tatsächlichen Füllstand gestrichelt und den vom Sensor angezeigten Füllstand als durchgezogene Linie.



- 1 Tatsächlicher Füllstand
- 2 Vom Sensor angezeigter Füllstand

Hinweise:

- Überall, wo der Sensor einen konstanten Wert zeigt, könnte die Ursache auch in der Störungseinstellung des Stromausganges auf "Wert halten" sein
- Bei zu geringer Füllstandanzeige könnte die Ursache auch ein zu hoher Leitungswiderstand sein


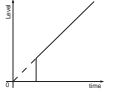
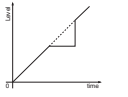
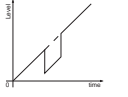
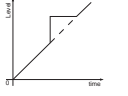
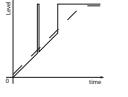
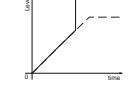
Messfehler bei konstantem Füllstand

Fehlerbeschreibung	Fehlerbild	Ursache	Beseitigung
1. Messwert zeigt zu geringen bzw. zu hohen Füllstand		<ul style="list-style-type: none"> - Min.-/Max.-Abgleich nicht korrekt - Linearisierungskurve falsch - Einbau in Bypass- oder Standrohr, dadurch Laufzeitfehler (kleiner Messfehler nahe 100 %/großer Fehler nahe 0 %) 	<ul style="list-style-type: none"> - Min.-/Max.-Abgleich anpassen - Linearisierungskurve anpassen - Parameter Anwendung prüfen bzgl. Behälterform, ggf. anpassen (Bypass, Standrohr, Durchmesser)
2. Messwert springt Richtung 0 %		<ul style="list-style-type: none"> - Vielfachecho (Behälterdecke, Produktoberfläche) mit Amplitude größer als Füllstandecho 	<ul style="list-style-type: none"> - Parameter Anwendung prüfen, speziell Behälterdecke, Mediumtyp, Klöpperboden, hohe Dielektrizitätszahl, ggf. anpassen
3. Messwert springt Richtung 100 %		<ul style="list-style-type: none"> - Prozessbedingt sinkt die Amplitude des Füllstandechos - Störsignalausblendung wurde nicht durchgeführt - Amplitude oder Ort eines Störsignals hat sich geändert (z. B. Kondensat, Produktablagerungen); Störsignalausblendung passt nicht mehr 	<ul style="list-style-type: none"> - Störsignalausblendung durchführen - Ursache der veränderten Störsignale ermitteln, Störsignalausblendung mit z. B. Kondensat durchführen

1000102666 Version C Status: RL (released | freigegeben) printed: 22.09.2017

41783-DE-141202

Messfehler bei Befüllung

Fehlerbeschreibung	Fehlerbild	Ursache	Beseitigung
4. Messwert bleibt bei Befüllung stehen		<ul style="list-style-type: none"> - Störsignale im Nahbereich zu groß bzw. Füllstandecho zu klein - Starke Schaum- oder Trombenbildung - Max.-Abgleich nicht korrekt 	<ul style="list-style-type: none"> - Störsignale im Nahbereich beseitigen - Messsituation prüfen: Antenne muss aus dem Stutzen ragen, Einbauten - Verschmutzungen an der Antenne beseitigen - Bei Störungen durch Einbauten im Nahbereich: Polarisationsrichtung ändern - Störsignalausblendung neu anlegen - Max.-Abgleich anpassen
5. Messwert bleibt bei Befüllung im Bodbereich stehen		<ul style="list-style-type: none"> - Tankbodenecho größer als Füllstandecho, z. B. bei Produkten mit $\epsilon_r < 2,5$ ölbasierend, Lösungsmittel 	<ul style="list-style-type: none"> - Parameter Medium, Behälterhöhe und Bodenform prüfen, ggf. anpassen
6. Messwert bleibt bei Befüllung vorübergehend stehen und springt auf den richtigen Füllstand		<ul style="list-style-type: none"> - Turbulenzen der Füllgutoberfläche, schnelle Befüllung 	<ul style="list-style-type: none"> - Parameter prüfen, ggf. ändern, z. B. in Dosierbehälter, Reaktor
7. Messwert springt bei der Befüllung in Richtung 0 %		<ul style="list-style-type: none"> - Amplitude eines Vielfachechos (Behälterdecke - Produktoberfläche) ist größer als das Füllstandecho 	<ul style="list-style-type: none"> - Parameter Anwendung prüfen, speziell Behälterdecke, Mediumtyp, Klöpperboden, hohe Dielektrizitätszahl, ggf. anpassen
		<ul style="list-style-type: none"> - Füllstandecho kann an einer Störsignalstelle nicht vom Störsignal unterschieden werden (springt auf Vielfachecho) 	<ul style="list-style-type: none"> - Bei Störungen durch Einbauten im Nahbereich: Polarisationsrichtung ändern - Günstigere Einbauposition wählen
8. Messwert springt bei Befüllung Richtung 100 %		<ul style="list-style-type: none"> - Durch starke Turbulenzen und Schaumbildung beim Befüllen sinkt die Amplitude des Füllstandechos. Messwert springt auf Störsignal 	<ul style="list-style-type: none"> - Störsignalausblendung durchführen
9. Messwert springt bei Befüllung sporadisch auf 100 %		<ul style="list-style-type: none"> - Variierendes Kondensat oder Verschmutzungen an der Antenne 	<ul style="list-style-type: none"> - Störsignalausblendung durchführen oder Störsignalausblendung mit Kondensat/Verschmutzung im Nahbereich durch Editieren erhöhen
10. Messwert springt auf ≥ 100 % bzw. 0 m Distanz		<ul style="list-style-type: none"> - Füllstandecho wird im Nahbereich wegen Schaumbildung oder Störsignalen im Nahbereich nicht mehr detektiert. Sensor geht in die Überfüllsicherheit. Es wird der max. Füllstand (0 m Distanz) sowie die Statusmeldung "Überfüllsicherheit" ausgegeben. 	<ul style="list-style-type: none"> - Messstelle prüfen: Antenne muss aus dem Stutzen ragen - Verschmutzungen an der Antenne beseitigen - Sensor mit besser geeigneter Antenne verwenden

41783-DE-141202

Messfehler bei Entleerung

Fehlerbeschreibung	Fehlerbild	Ursache	Beseitigung
Messwert bleibt im Entleeren im Nahbereich stehen		<ul style="list-style-type: none"> Störsignal größer als Füllstandecho Füllstandecho zu klein 	<ul style="list-style-type: none"> Störsignal im Nahbereich beseitigen. Dabei prüfen: Antenne muss aus dem Stutzen ragen Verschmutzungen an der Antenne beseitigen Bei Störungen durch Einbauten im Nahbereich: Polarisationsrichtung ändern Nach Beseitigung der Störsignale muss Störsignalausblendung gelöscht werden. Neue Störsignalausblendung durchführen
Messwert springt im Entleeren Richtung 0 %		<ul style="list-style-type: none"> Tankbodenecho größer als Füllstandecho, z. B. bei Produkten mit $\epsilon < 2,5$ ölbasierend, Lösungsmittel 	<ul style="list-style-type: none"> Parameter Mediumtyp, Behälterhöhe und Bodenform prüfen, ggf. anpassen
Messwert springt im Entleeren sporadisch Richtung 100 %		<ul style="list-style-type: none"> Variierendes Kondensat oder Verschmutzungen an der Antenne 	<ul style="list-style-type: none"> Störsignalausblendung durchführen oder Störsignalausblendung im Nahbereich durch Editieren erhöhen Bei Schüttgütern Radarsensor mit Luftspülanschluss verwenden

Verhalten nach Störungs-beseitigung

Je nach Störungsursache und getroffenen Maßnahmen sind ggf. die im Kapitel "In Betrieb nehmen" beschriebenen Handlungsschritte erneut zu durchlaufen bzw. auf Plausibilität und Vollständigkeit zu überprüfen.

9.5 Elektronikeinsatz tauschen

Bei einem Defekt kann der Elektronikeinsatz durch den Anwender getauscht werden.



Bei Ex-Anwendungen darf nur ein Gerät und ein Elektronikeinsatz mit entsprechender Ex-Zulassung eingesetzt werden.

Falls vor Ort kein Elektronikeinsatz verfügbar ist, kann dieser über die für Sie zuständige Vertretung bestellt werden.

9.6 Vorgehen im Reparaturfall

Sollte eine Reparatur erforderlich sein, wenden Sie sich bitte an die für Sie zuständige Vertretung.

MAN 1000102

41783-DE-141202

10 Ausbauen

10.1 Ausbauschritte

**Warnung:**

Achten Sie vor dem Ausbauen auf gefährliche Prozessbedingungen wie z. B. Druck im Behälter oder Rohrleitung, hohe Temperaturen, aggressive oder toxische Füllgüter etc.

Beachten Sie die Kapitel "*Montieren*" und "*An die Spannungsversorgung anschließen*" und führen Sie die dort angegebenen Schritte sinngemäß umgekehrt durch.

10.2 Entsorgen

Das Gerät besteht aus Werkstoffen, die von darauf spezialisierten Recyclingbetrieben wieder verwertet werden können. Wir haben hierzu die Elektronik leicht trennbar gestaltet und verwenden recyclebare Werkstoffe.

Eine fachgerechte Entsorgung vermeidet negative Auswirkungen auf Mensch und Umwelt und ermöglicht eine Wiederverwendung von wertvollen Rohstoffen.

Werkstoffe: siehe Kapitel "*Technische Daten*"

Sollten Sie keine Möglichkeit haben, das Altgerät fachgerecht zu entsorgen, so sprechen Sie mit uns über Rücknahme und Entsorgung.

WEEE-Richtlinie 2002/96/EG

Das vorliegende Gerät unterliegt nicht der WEEE-Richtlinie 2002/96/EG und den entsprechenden nationalen Gesetzen. Führen Sie das Gerät direkt einem spezialisierten Recyclingbetrieb zu und nutzen Sie dafür nicht die kommunalen Sammelstellen. Diese dürfen nur für privat genutzte Produkte gemäß WEEE-Richtlinie genutzt werden.

11 Anhang

11.1 Technische Daten

Allgemeine Daten

316L entspricht 1.4404 oder 1.4435	
Werkstoffe, medienberührt bei gekapseltem Antennensystem	
Prozessanschluss	PVDF, 316L
Prozessdichtung	FKM (IDG FKM 13-75)
Antenne	PVDF
Werkstoffe, medienberührt bei Kunststoffhornantenne	
Adapterflansch	PP-GF30 schwarz
Dichtung Adapterflansch	FKM (COG VI500), EPDM (COG AP310)
Antenne	PBT-GF 30
Fokussierlinse	PP
Werkstoffe, nicht medienberührt	
Überwurfflansch	PP-GF30 schwarz
Montagebügel	316L
Befestigungsschrauben Montagebügel	316L
Befestigungsschrauben Adapterflansch	304
Gehäuse	Kunststoff PBT (Polyester), 316L
Dichtung zwischen Gehäuse und Gehäusedeckel	Silikon
Gehäusedeckel	
Sichtfenster im Gehäusedeckel (optional)	Polycarbonat
Erdungsklemme	316L
Prozessanschlüsse	
Rohrgewinde, zylindrisch (ISO 228 T1)	G1½
- Amerikan. Rohrgewinde, konisch	1½ NPT
- Flansche	DIN ab DN 80, ASME ab 3", JIS ab DN 100 10K
- Hygienische Anschlüsse	Clamp, Rohrverschraubung nach DIN 11851, Tuchenhagen Varivent
Gewicht, je nach Prozessanschluss und Gehäusewerkstoff	0,7 ... 3,4 kg (1.543 ... 7.496 lbs)
Max. Anzugsmoment Montageschrauben	4 Nm
Befestigungsbügel am Sensorgehäuse	
Max. Anzugsmoment Flanschschrauben	
- Überwurfflansch DN 80	5 Nm (3.689 lbf ft)
- Adapterflansch DN 100	7 Nm (5.163 lbf ft)
Max. Anzugsmoment für NPT-Kabelverschraubungen und Conduit-Rohre	
- Kunststoffgehäuse	10 Nm (7.376 lbf ft)

- Aluminium-/Edelstahlgehäuse

50 Nm (36.88 lbf ft)

Einganggröße

Messgröße

Die Messgröße ist der Abstand zwischen dem Prozessanschluss des Sensors und der Füllgutoberfläche. Die Bezugsebene ist die Dichtfläche am Sechskant bzw. die Unterseite des Flansches.

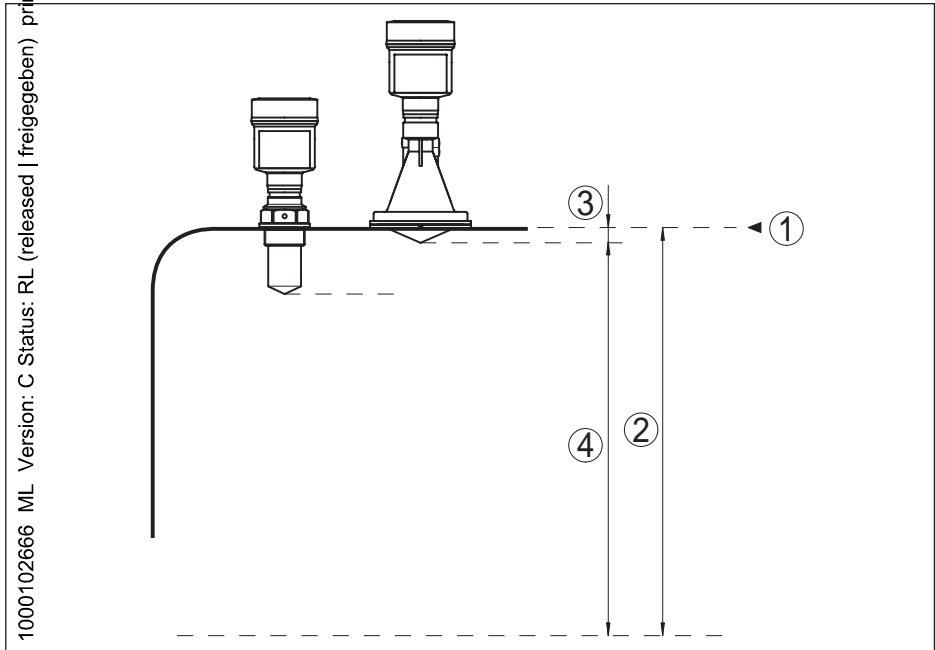


Abb. 42: Daten zur Eingangsgröße

- 1 Bezugsebene
- 2 Messgröße, max. Messbereich
- 3 Antennenlänge
- 4 Nutzbarer Messbereich

Standardelektronik

Max. Messbereich	35 m (114.8 ft)
Empfohlener Messbereich	
- Gekapseltes Antennensystem	bis 10 m (32.81 ft)
- Kunststoffhornantenne	bis 20 m (65.62 ft)

Elektronik mit erhöhter Empfindlichkeit

Max. Messbereich	35 m (114.8 ft)
Empfohlener Messbereich	
- Gekapseltes Antennensystem	bis 10 m (32.81 ft)
- Kunststoffhornantenne	bis 20 m (65.62 ft)

Ausgangsgröße

Ausgangssignal	4 ... 20 mA/HART
Bereich des Ausgangssignals	3,8 ... 20,5 mA/HART (Werkseinstellung)
Signalauflösung	0,3 μ A
Messauflösung digital	< 1 mm (0.039 in)
Alarmfallsignal Stromausgang (einstellbar)	mA-Wert unverändert, 20,5 mA, 22 mA, < 3,6 mA
Max. Ausgangsstrom	22 mA
Anlaufstrom	\leq 3,6 mA; \leq 10 mA für 5 ms nach Einschalten
Brände	Siehe Bürdendiagramm unter Spannungsversorgung
Dämpfung (63 % der Eingangsgröße), einstellbar	0 ... 999 s
HART-Ausgangswerte gem. HART 7.0 ¹⁾	
PV (Primary Value)	Lin.-Prozent
SV (Secondary Value)	Distanz
TV (Third Value)	Messsicherheit
QV (Fourth Value)	Elektroniktemperatur
Eingüllte HART-Spezifikation	7.0
Weitere Informationen zu Manufacturer ID, Geräte ID, Geräte Revision	Siehe Website der HART Communication Foundation

Messgenauigkeit (nach DIN EN 60770-1)

Prozess-Referenzbedingungen nach DIN EN 61298-1	
Temperatur	+18 ... +30 °C (+64 ... +86 °F)
Relative Luftfeuchte	45 ... 75 %
Luftdruck	860 ... 1060 mbar/86 ... 106 kPa (12.5 ... 15.4 psig)
Einbau-Referenzbedingungen	
Mindestabstand zu Einbauten	> 200 mm (7.874 in)
Reflektor	Ebener Plattenreflektor
Störreflexionen	größtes Störsignal 20 dB kleiner als Nutzsignal
Messabweichung bei Flüssigkeiten	Siehe folgende Diagramme

¹⁾ Defaultwerte, können beliebig zugeordnet werden

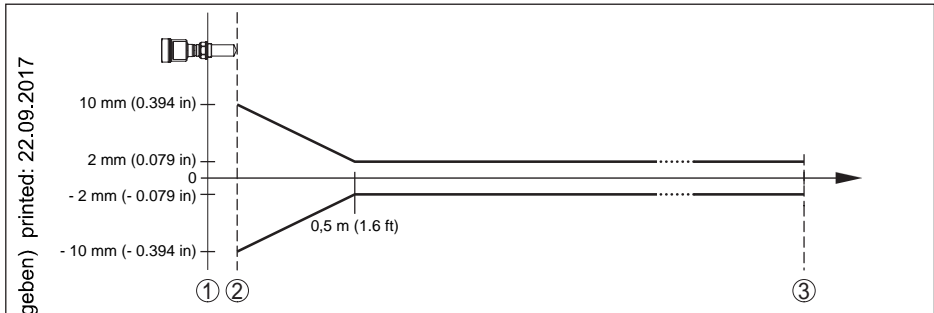


Abb. 43: Messabweichung unter Referenzbedingungen - gekapseltes Antennensystem

- 1 Bezugsebene
- 2 Antennenrand
- 3 Empfohlener Messbereich

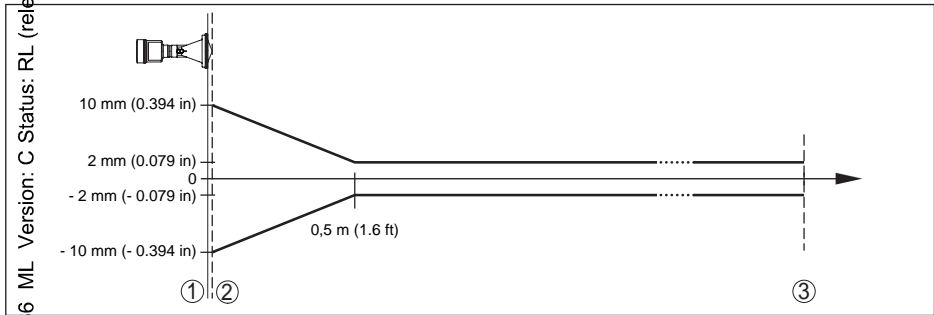


Abb. 44: Messabweichung unter Referenzbedingungen - Kunststoffhornantenne

- 1 Bezugsebene
- 2 Antennenrand
- 3 Empfohlener Messbereich

Reproduzierbarkeit $\leq \pm 1 \text{ mm}$

Messabweichung bei Schüttgütern Die Werte sind stark anwendungsabhängig. Verbindliche Angaben sind daher nicht möglich.

Einflussgrößen auf die Messgenauigkeit

Angaben gelten für den digitalen Messwert

Temperaturdrift - Digitalausgang $\pm 3 \text{ mm}/10 \text{ K}$, max. 10 mm

Zusätzliche Messabweichung durch elektromagnetische Einstreuungen im Rahmen der EN 61326 $< \pm 50 \text{ mm}$

Angaben gelten zusätzlich für den Stromausgang

Temperaturdrift - Stromausgang $\pm 0,03 \text{ \%}/10 \text{ K}$ bezogen auf die 16 mA-Spanne bzw. max. $\pm 0,3 \text{ \%}$

Abweichung am Stromausgang durch Analog-Digital-Wandlung $< \pm 15 \mu\text{A}$

41783-DE-141202

Abweichung am Stromausgang durch starke, hochfrequente elektromagnetische Felder im Rahmen der EN 61326

< $\pm 150 \mu\text{A}$

Messcharakteristiken und Leistungsdaten

Messfrequenz K-Band (26 GHz-Technologie)

Messzykluszeit

Standardelektronik ca. 450 ms

Elektronik mit erhöhter Empfindlichkeit ca. 700 ms

Seitengantwortzeit²⁾ $\leq 3 \text{ s}$

Abstrahlwinkel³⁾

Gekapseltes Antennensystem 22°

Kunststoffhornantenne 10°

Abgestrahlte HF-Leistung (abhängig von der Parametrierung)⁴⁾

Mittlere spektrale Sendeleistungsdichte -14 dBm/MHz EIRP

Maximale spektrale Sendeleistungsdichte +43 dBm/50 MHz EIRP

Max. Leistungsdichte in 1 m Abstand < $1 \mu\text{W}/\text{cm}^2$

Umgebungsbedingungen

Umgebungs-, Lager- und Transporttemperatur -40 ... +80 °C (-40 ... +176 °F)

Prozessbedingungen

Für die Prozessbedingungen sind zusätzlich die Angaben auf dem Typschild zu beachten. Es gilt der jeweils niedrigere Wert.

Behälterdruck

Gekapseltes Antennensystem -1 ... 3 bar (-100 ... 300 kPa/-14.5 ... 43.5 psi)

- Kunststoffhornantenne -1 ... 2 bar (-100 ... 200 kPa/-14.5 ... 29.0 psig)

- Ausführung mit Adapterflansch ab DN 100 PP bzw. PP-GF 30 -1 ... 1 bar (-100 ... 100 kPa/-14.5 ... 14,5 psig)

Prozesstemperatur (gemessen am Prozessanschluss) -40 ... +80 °C (-40 ... +176 °F)

Vibrationsfestigkeit

- Mit Adapterflansch 2 g bei 5 ... 200 Hz nach EN 60068-2-6 (Vibration bei Resonanz)

- Mit Montagebügel 1 g bei 5 ... 200 Hz nach EN 60068-2-6 (Vibration bei Resonanz)

²⁾ Zeitspanne nach sprunghafter Änderung der Messdistanz um max. 0,5 m bei Flüssigkeitsanwendungen, max. 2 m bei Schüttgutwendungen, bis das Ausgangssignal zum ersten Mal 90 % seines Beharrungswertes angenommen hat (IEC 61298-2).

³⁾ Außerhalb des angegebenen Abstrahlwinkels hat die Energie des Radarsignals einen um 50 % (-3 dB) abgesenkten Pegel

⁴⁾ EIRP: Equivalent Isotropic Radiated Power

Schockfestigkeit 100 g, 6 ms nach EN 60068-2-27(mechanischer Schock)

Elektromechanische Daten - Ausführung IP 66/IP 67 und IP 66/IP 68; 0,2 bar

Kabelverschraubung M20 x 1,5 oder ½ NPT
 Aderquerschnitt (Federkraftklemmen)
 - Massiver Draht, Litze 0,2 ... 2,5 mm² (AWG 24 ... 14)
 - Litze mit Aderendhülse 0,2 ... 1,5 mm² (AWG 24 ... 16)

Anzeige- und Bedienmodul

Anzeigeelement Display mit Hintergrundbeleuchtung
 Messwertanzeige
 - Anzahl der Ziffern 5
 - Zifferngröße B x H = 7 x 13 mm
 Bedienelemente 4 Tasten
 Schutzart
 - lose IP 20
 - Eingebaut im Gehäuse ohne Deckel IP 40
 Werkstoffe
 - Gehäuse ABS
 - Sichtfenster Polyesterfolie

Integrierte Uhr

Datumsformat Tag.Monat.Jahr
 Zeitformat 12 h/24 h
 Zeitzone ab Werk CET
 Gangabweichung max. 10,5 min/Jahr

Messung Elektroniktemperatur

Auflösung 0,1 °C (1.8 °F)
 Genauigkeit ±1 °C (1.8 °F)
 Zulässiger Temperaturbereich -40 ... +85 °C (-40 ... +185 °F)

Spannungsversorgung

Betriebsspannung U_B
 - Nicht-Ex-Gerät 9,6 ... 36 V DC
 - Ex-ia-Gerät 9,6 ... 30 V DC
 Betriebsspannung U_B - beleuchtetes Anzeige- und Bedienmodul
 - Nicht-Ex-Gerät 16 ... 36 V DC
 - Ex-ia-Gerät 16 ... 30 V DC
 Verpolungsschutz Integriert
 Zulässige Restwelligkeit - Nicht-Ex-, Ex-ia-Gerät
 - für 9,6 V < U_B < 14 V ≤ 0,7 V_{eff} (16 ... 400 Hz)

41783-DE-141202

- für $18\text{ V} < U_B < 36\text{ V}$ $\leq 1,0\text{ V}_{\text{eff}}$ (16 ... 400 Hz)
- Bürdenwiderstand $(U_B - U_{\text{min}})/0,022\text{ A}$
- Berechnung $(24\text{ V} - 9,6\text{ V})/0,022\text{ A} = 655\ \Omega$
- Beispiel - Nicht-Ex-Gerät bei $U_B = 24\text{ V DC}$

Elektrische Schutzmaßnahmen

Schutzart	IP 66/IP 67 (NEMA 4X)
Überspannungskategorie	III ⁵⁾
Schutzklasse	III ⁶⁾

Zulassungen

Geräte mit Zulassungen können je nach Ausführung abweichende technische Daten haben. Bei diesen Geräten sind deshalb die zugehörigen Zulassungsdokumente zu beachten.

1.2 Maße

Kunststoffgehäuse

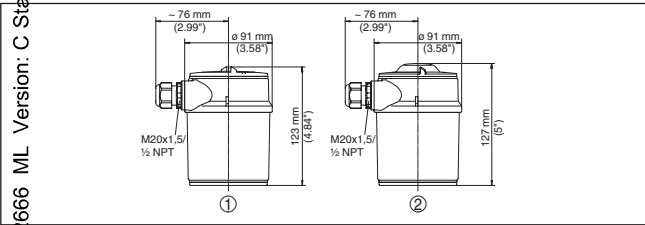


Abb. 45: Gehäuseausführungen in Schutzart IP 66/IP 68 (0,2 bar) - mit eingebautem Anzeige- und Bedienmodul vergrößert sich die Gehäusehöhe um 9 mm/0.35 in

- 1 Gehäuse ohne Anzeige- und Bedienmodul
- 2 Gehäuse mit Klarsichtdeckel für Anzeige- und Bedienmodul

LEVEL TRANSMITTER 8136, Gewindeausführung

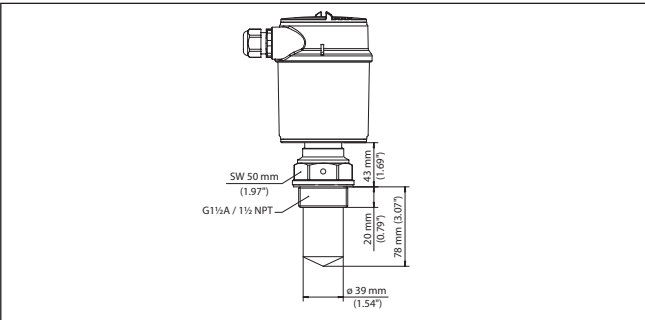


Abb. 46: LEVEL TRANSMITTER 8136, Gewindeausführung G1½ und 1½ NPT

⁵⁾ IEC 61010-1
⁶⁾ IEC 61010-1

LEVEL TRANSMITTER 8136, Hygieneanschluss

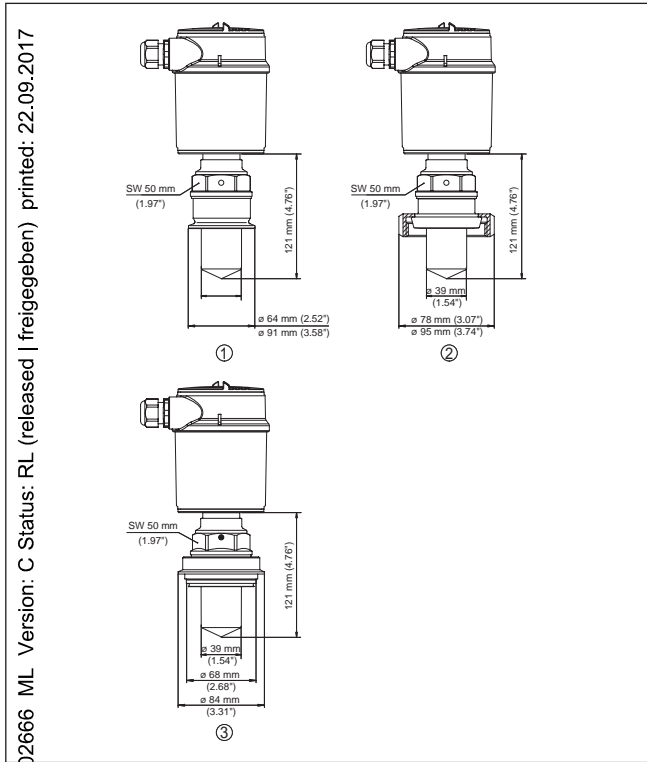


Abb. 47: LEVEL TRANSMITTER 8136, Hygieneanschluss

- 1 Clamp 2" (ø64 mm) und 3" (ø91 mm) PN 16 DIN 32676, ISO 2852/316L
- 2 Rohrverschraubung nach DIN 11851 DN 50 und DN 80
- 3 Tuchenhagen Varivent DN 32

MAIN 10067

LEVEL TRANSMITTER 8136, Ausführung mit Montagebügel

1000102666 ML Version: C Status: RL (released | freigegeben) printed: 22.09.2017

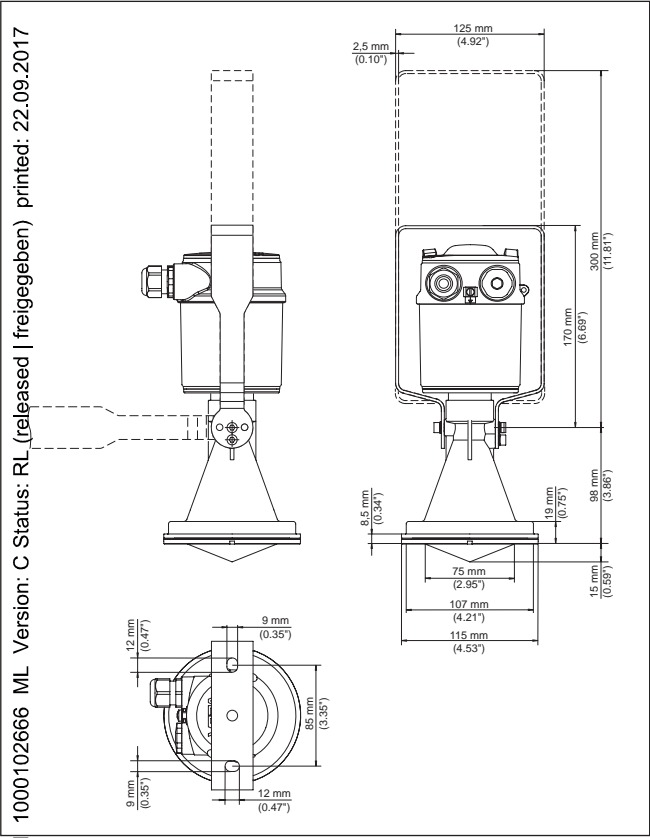


Abb. 48: LEVEL TRANSMITTER 8136, Montagebügel in 170 oder 300 mm Länge

LEVEL TRANSMITTER 8136, Ausführung mit Montagebügel und Reflektor

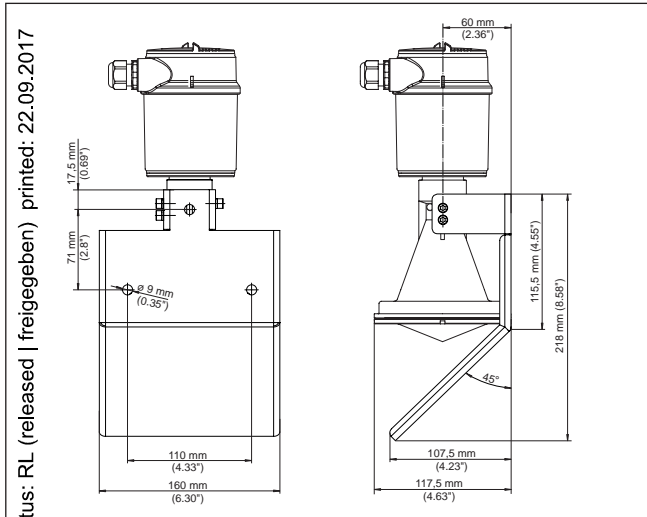


Abb. 49: LEVEL TRANSMITTER 8136, Montagebügel und Reflektor

LEVEL TRANSMITTER 8136, Ausführung mit Überwurfflansch

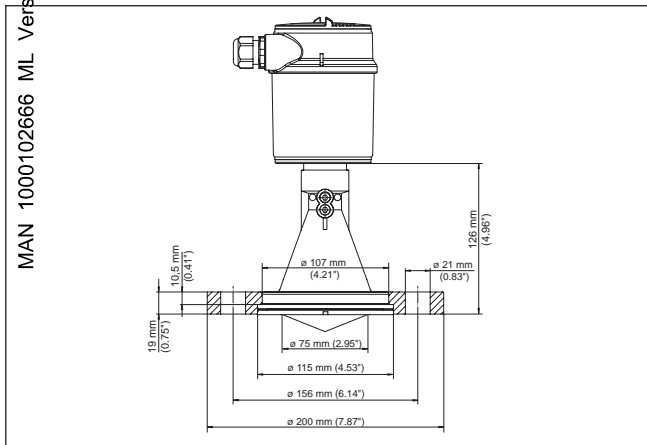
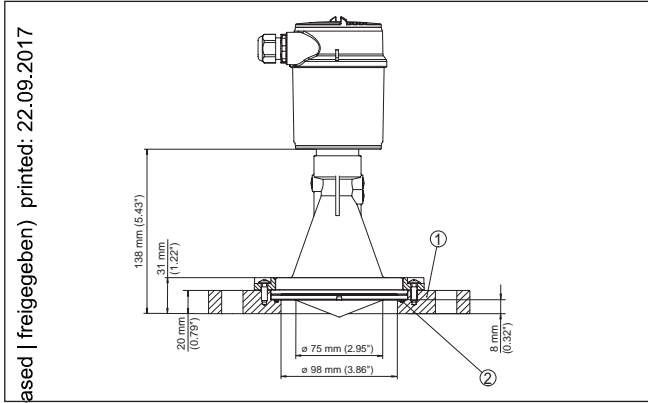


Abb. 50: LEVEL TRANSMITTER 8136, Überwurfflansch passend für DN 80 PN 16/ASME 3" 150lbs/JIS80 10K

LEVEL TRANSMITTER 8136, Ausführung mit Adapterflansch

Abb. 51: LEVEL TRANSMITTER 8136, Adapterflansch

- 1 Adapterflansch
 2 Dichtung

11.3 Warenzeichen

Alle verwendeten Marken sowie Handels- und Firmennamen sind Eigentum ihrer rechtmäßigen Eigentümer/Urheber.

MAN 1000102666 ML Version: C Status: RL (released | freigegeben) printed: 22.09.2017

INDEX

A

- Abgleich 39, 40
- Abschirmung 25, 26
- Anschließen
 - Elektrisch 26
- Anschluss
 - Kabel 25
 - Schritte 26
 - Technik 26
- Anwendung
 - Flüssigkeit 32
 - Schüttgut 36
 - Standrohr 32
- Anstiegssignal überprüfen 53

B

- Bedienung
 - g.-System 30
- Behältereinbauten 17
- Behälterform 38
- Behälterhöhe 38

D

- D (Device Description) 47
- Defaultwerte 44
- Durchflussmessung 23, 24

E

- Echokurve der Inbetriebnahme 41
- Echokurvenspeicher 48
- EDD (Enhanced Device Description) 47
- Einströmendes Füllgut 14
- Elektronik- und Anschlussraum Einkammergehäuse 28
- Erdung 25, 26
- Ereignisspeicher 48
- Ersatzteile
 - Elektronikeinsatz 9

F

- Fehlercodes 51
- Funktionsprinzip 8

H

- Hauptmenü 31

K

- Kurvanzeige
 - Echokurve 41
 - Störsignalausblendung 41

L

- Linearisierungskurve 43

M

- Messabweichung 53
- Messsicherheit 40
- Messung im Bypass 21
- Messung im Schwallrohr 18
- Messwertspeicher 48
- Montageposition 13

N

- NAMUR NE 107 50, 52

P

- Polarisation 12

R

- Reflexionseigenschaften 32
- Reset 43
- Rührwerke 17

S

- Schaumbildung 18
- Schleppzeiger 40
- Sensorausrichtung 17
- Statusmeldungen - NAMUR NE 107 49
- Störsignalausblendung 41
- Störungsbeseitigung 53
- Stutzen 14, 16

T

- Typschild 7

U

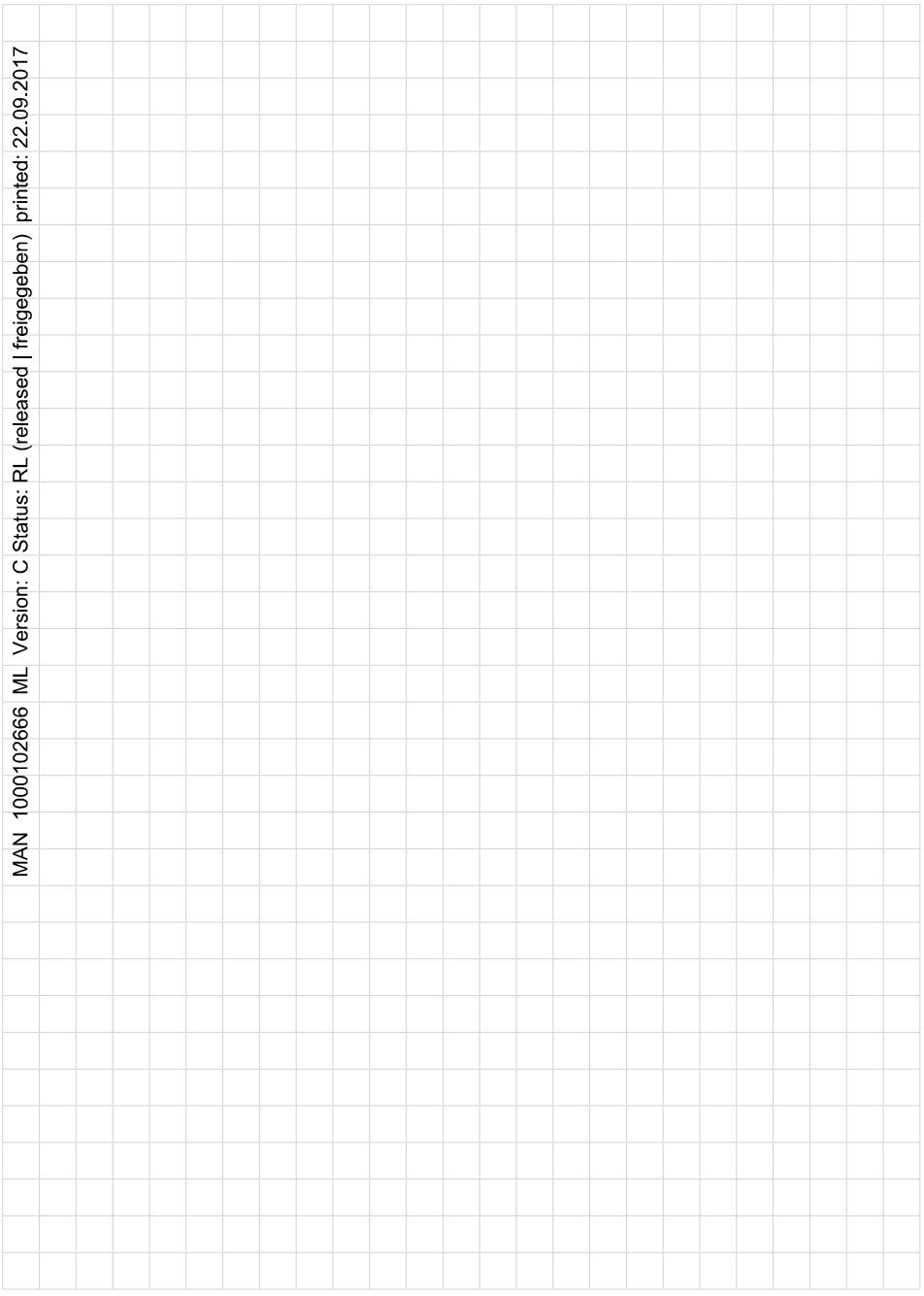
- Überfüllsicherung nach WHG 43

Z

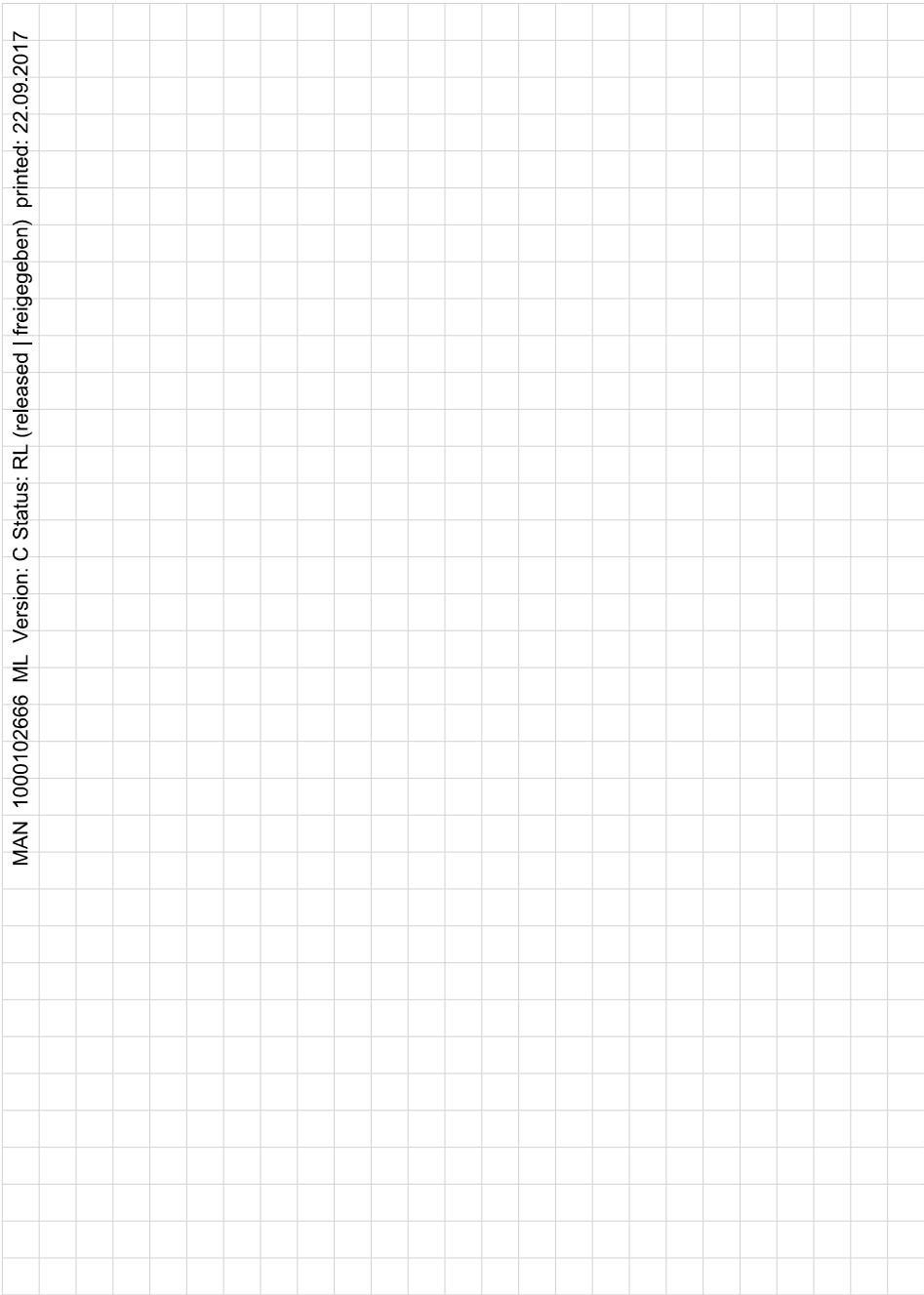
- Zubehör
 - Anzeige- und Bedienmodul 9

41783-DE-141202

MAN 1000102666 ML Version: C Status: RL (released | freigegeben) | printed: 22.09.2017



MAN 1000102666 ML Version: C Status: RL (released | freigegeben) printed: 22.09.2017



41783-DE-141202

41783-DE-141202

MAN 1000102666 ML Version: C Status: RL (released | freigegeben) | printed: 22.09.2017

MAN 1000102666 ML Version: C Status: RL (released | freigegeben) printed: 22.09.2017

The smart choice
of Fluid Control Systems
www.buerkert.com


FLUID CONTROL SYSTEMS

41783-DE-141202

Mise en service



**LEVEL TRANSMITTER
8136**

4 ... 20 mA/HART - deux fils

Table des matières

1000102666 ML Version: C Status: RL (released freigegeben) printed: 22.09.2017	1 À propos de ce document	
	1.1 Fonctions	4
	1.2 Personnes concernées.....	4
	1.3 Symbolique utilisée	4
	2 Pour votre sécurité	
	2.1 Personnel autorisé	5
	2.2 Utilisation appropriée	5
	2.3 Avertissement contre les utilisations incorrectes	5
	2.4 Consignes de sécurité générales	5
	2.5 Conformité CE.....	6
	2.6 Recommandations NAMUR.....	6
	2.7 Agrément radiotechnique pour l'Europe	6
	2.8 Agrément radiotechnique pour les États-Unis/le Canada	6
3 Description du produit		
3.1 Structure	7	
3.2 Procédé de fonctionnement	8	
3.3 Emballage, transport et stockage.....	8	
3.4 Équipement complémentaire et pièces de rechange	9	
4 Montage		
4.1 Remarques générales	10	
4.2 Bride tournante et d'adaptation	10	
4.3 Préparations au montage avec l'étrier	11	
4.4 Consignes de montage	12	
4.5 Dispositions de mesure - tubes	18	
4.6 Disposition de mesure - débit.....	23	
5 Raccordement à l'alimentation en tension		
5.1 Préparation du raccordement.....	25	
5.2 Raccordement.....	26	
5.3 Schéma de raccordement	27	
5.4 Phase de mise en marche.....	28	
6 Mise en service avec le module de réglage et d'affichage		
6.1 Insertion du module de réglage et d'affichage.....	29	
6.2 Système de réglage	30	
6.3 Paramétrage.....	30	
6.4 Sauvegarde des données de paramétrage	45	
7 Mise en service avec PACTware		
7.1 Raccordement du PC	47	
7.2 Paramétrage via PACTware	47	
7.3 Sauvegarde des données de paramétrage	47	
8 Mise en service avec d'autres systèmes		
8.1 Programmes de configuration DD	48	
8.2 Communicator 375, 475.....	48	
9 Diagnostic, gestion des actifs et service		
9.1 Maintenance	49	
9.2 Mémoire de diagnostic.....	49	

MAN 1000102666 ML Version: C Status: RL (released | freigegeben) | Printed: 2009.2017

9.3	Fonction de gestion des actifs	50
9.4	Élimination des défauts	54
9.5	Remplacement du préamplificateur.....	58
9.6	Marche à suivre en cas de réparation.....	58
10	Démontage	
10.1	Étapes de démontage	59
10.2	Recyclage	59
11	Annexe	
11.1	Caractéristiques techniques.....	60
11.2	Dimensions	66

41783-FR-141218



Consignes de sécurité pour atmosphères Ex

Respectez les consignes de sécurité spécifiques pour les applications Ex. Celles-ci font partie intégrale de la notice de mise en service et sont jointes à la livraison de chaque appareil disposant d'un agrément Ex.

Date de rédaction : 2014-12-02

1 À propos de ce document

1.1 Fonctions

La présente notice technique contient les informations nécessaires au montage, au raccordement et à la mise en service de l'appareil ainsi que des remarques importantes concernant l'entretien et l'élimination des défauts. Il est donc important de la lire avant d'effectuer la mise en service et de la conserver près de l'appareil, accessible à tout moment comme partie intégrante du produit.

1.2 Personnes concernées

Cette notice technique s'adresse à un personnel spécialisé et qualifié. Ces spécialistes doivent avoir connaissance de son contenu et le mettre en pratique.

1.3 Symbolique utilisée



Information, conseil, remarque

Sous ce symbole, vous trouverez des informations complémentaires très utiles.



Prudence : Le non-respect de cette recommandation peut entraîner des pannes ou des défauts de fonctionnement.



Avertissement : Le non-respect de cette instruction peut porter préjudice à la personne manipulant l'appareil et/ou peut entraîner de graves dommages à l'appareil.



Danger : Le non-respect de cet avertissement peut entraîner des blessures sérieuses à la personne manipulant l'appareil et/ou peut détruire l'appareil.



Applications Ex

Vous trouverez à la suite de ce symbole des remarques particulières concernant les applications Ex.



Liste

Ce point précède une énumération dont l'ordre chronologique n'est pas obligatoire.



Étape de la procédure

Cette flèche indique une étape de la procédure.



Séquence d'actions

Les étapes de la procédure sont numérotées dans leur ordre chronologique.



Élimination des piles

Vous trouverez à la suite de ce symbole des remarques particulières concernant l'élimination des piles et accumulateurs.

2 Pour votre sécurité

2.1 Personnel autorisé

Toutes les manipulations sur l'appareil indiquées dans cette notice ne doivent être effectuées que par du personnel qualifié, spécialisé et autorisé par l'exploitant de l'installation.

Il est impératif de porter les équipements de protection individuels nécessaires pour toute intervention sur l'appareil.

2.2 Utilisation appropriée

Le LEVEL TRANSMITTER 8136 est un capteur pour la mesure de niveau continue.

Vous trouverez des informations plus détaillées concernant le domaine d'application au chapitre "*Description du produit*".

La sécurité de fonctionnement n'est assurée qu'à condition d'un usage conforme de l'appareil en respectant les indications stipulées dans la notice de mise en service et dans les éventuelles notices complémentaires.

2.3 Avertissement contre les utilisations incorrectes

Un usage non conforme ou non approprié de l'appareil peut engendrer des risques spécifiques à l'application. Un montage incorrect ou un réglage erroné peut entraîner par exemple un débordement de cuve ou des dégâts dans les composants de l'installation.

2.4 Consignes de sécurité générales

L'appareil respecte les règles de l'art et est conforme aux recommandations et aux directives habituelles. Il ne doit être utilisé que s'il est en parfait état de fonctionnement. L'utilisateur est responsable du fonctionnement sans incident de l'appareil.

Pendant toute la durée d'exploitation de l'appareil, l'exploitant doit en plus vérifier que les mesures nécessaires de sécurité du travail concordent avec les normes actuelles en vigueur et que les nouvelles réglementations y sont incluses et respectées.

L'utilisateur doit respecter les consignes de sécurité contenues dans cette notice, les standards d'installation spécifiques au pays et les règles de sécurité et les directives de prévention des accidents en vigueur.

Pour des raisons de sécurité et de garantie, toute intervention sur l'appareil en dehors des manipulations indiquées dans la notice de mise en service est strictement réservée à des personnes autorisées par le fabricant de l'appareil. Il est explicitement interdit de procéder de son propre chef à des transformations ou modifications sur l'appareil.

Par ailleurs, il faudra tenir compte des consignes et des signalisations de sécurité apposées sur l'appareil.

Les fréquences d'émission des capteurs radar se trouvent dans la bande C, K ou W en fonction de la version de l'appareil. Les faibles puissances d'émission sont nettement inférieures aux valeurs limites tolérées sur le plan international. Si l'appareil est utilisé de manière conforme, il ne pourra en émaner aucun risque pour la santé.

2.5 Conformité CE

L'appareil satisfait aux exigences légales des directives respectives de la CE. Avec le marquage CE, nous confirmons que le contrôle a été effectué avec succès.

2.6 Recommandations NAMUR

NAMUR est la communauté d'intérêts de technique d'automatisation dans l'industrie process en Allemagne. Les recommandations NAMUR publiées sont des standards dans l'instrumentation de terrain.

L'appareil satisfait aux exigences des recommandations NAMUR suivantes :

- NE 21 – Compatibilité électromagnétique de matériels
- NE 43 – Niveau signal pour l'information de défaillance des capteurs de pression
- NE 53 – Compatibilité d'appareils de terrain et de composants de réglage et d'affichage
- NE 107 – Autosurveillance et diagnostic d'appareils de terrain

Pour plus d'informations, voir www.namur.de.

2.7 Agrément radiotechnique pour l'Europe

L'appareil est agréé conformément à EN 302372-1/2 (2006-04) pour l'utilisation dans des cuves fermées.

2.8 Agrément radiotechnique pour les États-Unis/le Canada

Cet appareil est conforme au chapitre 15 des règles FCC. Pour l'exploitation de l'appareil, respectez les deux directives suivantes :

- L'appareil ne doit pas générer d'interférences nuisibles
- L'appareil doit être insensible à toutes les interférences reçues y compris celles risquant d'entraîner un fonctionnement erratique

Des modifications non expressément autorisées par le fabricant conduisent à l'annulation de l'autorisation d'exploitation selon FCC/IC.

L'appareil est conforme à la norme RSS-210 des règlements IC.

L'appareil ne doit être utilisé que dans des cuves fermées en métal, en béton ou en plastique renforcé de fibres de verre.

3 Description du produit

3.1 Structure

La plaque signalétique contient les informations les plus importantes servant à l'identification et à l'utilisation de l'appareil :

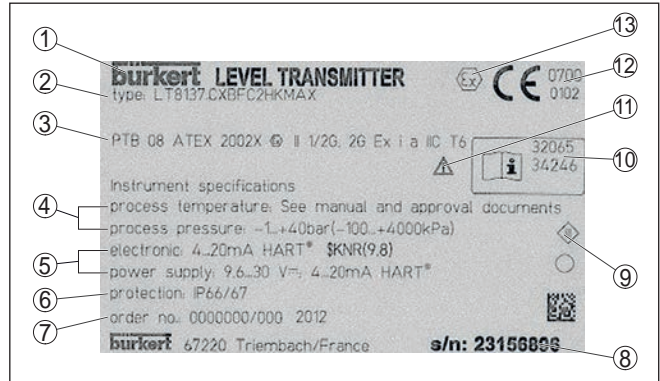


Fig. 1: Présentation de la plaque signalétique (exemple)

- 1 Type d'appareil
- 2 Code de produit
- 3 Agréments
- 4 Température process et ambiante, pression process
- 5 Sortie signal de l'électronique, alimentation tension
- 6 Type de protection
- 7 Numéro de commande
- 8 Numéro de série de l'appareil
- 9 Symbole pour classe de protection d'appareil
- 10 Numéros ID documentation de l'appareil
- 11 Note concernant le respect de la documentation d'appareil
- 12 Endroit notifié pour le marquage CE
- 13 Directive d'agrément

Domaine de validité de cette notice de mise en service

La présente notice de mise en service est valable pour les versions d'appareil suivantes :

- Version hardware à partir de la version 2.1.0
- Version du logiciel à partir de 4.5.1

Compris à la livraison

La livraison comprend :

- Capteur radar
- Documentation
 - Cette notice de mise en service
 - Certificat de contrôle précision de mesure (en option)
 - Notice de mise en service "Module de réglage et d'affichage" (en option)
 - Notice complémentaire "Module radio GSM/GPRS" (en option)
 - Notice complémentaire "Chauffage pour module de réglage et d'affichage" (en option)

- Notice complémentaire "Connecteur pour capteurs de mesure continue" (en option)
- Les "Consignes de sécurité" spécifiques Ex (pour les versions Ex)
- Le cas échéant d'autres certificats
- DVD "Software & Documents" compris dans la livraison
 - Manuels de mise en service
 - Consignes de sécurité
 - PACtware/Collection DTM
 - Logiciel du pilote

Domaine d'application

3.2 Procédé de fonctionnement

Le LEVEL TRANSMITTER 8136 est un capteur radar pour la mesure continue de niveau des liquides dans des conditions de process simples.

Différentes versions sont utilisées en fonction du domaine d'application :

- Mesure de niveau dans les liquides agressifs dans de petites cuves : **Système d'antenne encapsulé**
- Mesure de débit dans des canaux ouverts ou mesure de hauteur d'eau dans des cours d'eau : **Antenne cône en plastique**
- Produits avec une valeur $\epsilon_r \geq 1,8$: **Électronique standard**
- Produits avec une valeur $\epsilon_r \geq 1,5, < 1,8$; applications présentant de très mauvaises propriétés de réflexion : **Électronique avec une sensibilité augmentée**

Les valeurs pouvant être atteintes réellement dépendent des conditions de mesure, du système d'antenne ou du tube guide d'ondes ou du bypass.

Principe de fonctionnement

Des signaux radar sont émis sous forme de courtes impulsions d'une durée de 1 ns par l'antenne du capteur. Après avoir été réfléchies par la surface du produit, ces impulsions sont réceptionnées à nouveau par l'antenne sous forme d'échos. Le temps de propagation des impulsions radar est directement proportionnel à la distance entre capteur et produit et donc à la hauteur de remplissage. La hauteur de remplissage ainsi déterminée est convertie en un signal de sortie adéquat puis convertie en valeur de mesure.

Emballage

3.3 Emballage, transport et stockage

Durant le transport jusqu'à son lieu d'application, votre appareil a été protégé par un emballage dont la résistance aux contraintes de transport usuelles a fait l'objet d'un test selon la norme DIN ISO 4180.

Pour les appareils standard, cet emballage est en carton non polluant et recyclable. Pour les versions spéciales, on utilise en plus de la mousse ou des feuilles de polyéthylène. Faites en sorte que cet emballage soit recyclé par une entreprise spécialisée de récupération et de recyclage.

Transport

Le transport doit s'effectuer en tenant compte des indications faites sur l'emballage de transport. Le non-respect peut entraîner des dommages à l'appareil.

Inspection du transport

Dès la réception, vérifier si la livraison est complète et rechercher d'éventuels dommages dus au transport. Les dommages de transport constatés ou les vices cachés sont à traiter en conséquence.

Stockage

Les colis sont à conserver fermés jusqu'au montage en veillant à respecter les marquages de positionnement et de stockage apposés à l'extérieur.

Sauf autre indication, entreposer les colis en respectant les conditions suivantes :

- Ne pas entreposer à l'extérieur
 - Entreposer dans un lieu sec et sans poussière
 - Ne pas exposer à des produits agressifs
 - Protéger contre les rayons du soleil
 - Éviter des secousses mécaniques
- Température de transport et de stockage voir au chapitre "*Annexe - Caractéristiques techniques - Conditions ambiantes*"
- Humidité relative de l'air 20 ... 85 %

Température de stockage et de transport

3.4 Équipement complémentaire et pièces de rechange

Module de réglage et d'affichage

Le module de réglage et d'affichage sert à l'affichage des valeurs de mesure, au réglage et au diagnostic. Il peut être mis en place dans le capteur et à nouveau retiré à tout moment.

Vous trouverez des informations supplémentaires dans le manuel de mise en service "*Module de réglage et d'affichage*" (Document-ID 41787).

Préamplificateur

Le préamplificateur est une pièce de rechange pour les capteurs radars de la série LEVEL TRANSMITTER. Il est disponible en plusieurs versions adaptées aux différentes sorties signal.

Vous trouverez des informations supplémentaires dans le manuel de mise en service "*Préamplificateur LEVEL TRANSMITTER 813X*" (Document-ID 41786).

4 Montage

4.1 Remarques générales

Pour les appareils avec un raccord process fileté, le six pans doit être serré avec la clé adaptée. Pour l'ouverture de clé, voir le chapitre "*Dimensions*".



Attention !

N'utilisez jamais le boîtier pour visser l'appareil ! En serrant l'appareil par le boîtier, vous risquez d'endommager la mécanique de rotation du boîtier.

Protégez votre appareil au moyen des mesures suivantes contre l'infiltration d'humidité :

- Utilisez le câble recommandé (voir le chapitre "*Raccorder à l'alimentation tension*")
- Serrez bien le presse-étoupe
- En cas de montage horizontal, tournez le boîtier de manière à ce que le presse-étoupe soit dirigé vers le bas.
- Dirigez le câble de raccordement devant le presse-étoupe vers le bas

Cela est surtout valable :

- Les montages à l'extérieur
- Dans des lieux où il faut s'attendre à de l'humidité (due par exemple à des processus de nettoyage)
- Dans des cuves réfrigérées ou chauffées

Assurez vous que toutes les parties de l'appareil exposées au process sont appropriées aux conditions de celui-ci.

Celles-ci sont principalement :

- La partie qui prend les mesures
- Raccord process
- Joint process

Les conditions du process sont en particulier :

- Pression process
- Température process
- Propriétés chimiques des produits
- Abrasion et influences mécaniques

Vous trouverez les indications concernant les conditions du process dans le chapitre "*Caractéristiques techniques*" ainsi que sur la plaque signalétique.

4.2 Bride tournante et d'adaptation

Une bride tournante combinée non montée pour DN 80 (ASME 3" ou JIS 80) est disponible, également pour un équipement ultérieur, pour le montage de l'appareil sur un manchon. L'appareil peut également être équipé en option d'une bride d'adaptation à partir de DN 100 (ASME 4" ou JIS 100) à la livraison.

Pour les variantes de boîtiers en plastique, à chambre unique en alu et en acier inox, vous pouvez passer la bride tournante directement au dessus du boîtier. Pour le boîtier à deux chambres en alu, un montage ultérieur n'est pas possible, le type de montage doit être fixé à la commande.

Vous trouverez des dessins concernant ces options de montage au chapitre "*Encombrement*".

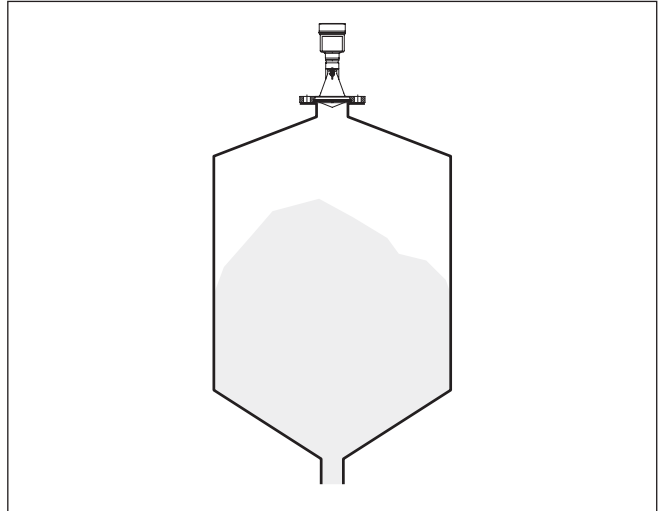


Fig. 2: Montage sur bride du capteur radar

4.3 Préparations au montage avec l'étrier

L'étrier de montage permet une fixation simple sur la paroi de la cuve ou sur le toit du silo. Il est approprié au montage mural, sur toit ou bras. C'est surtout dans les réservoirs ouverts qu'il représente un moyen très simple et efficace pour orienter le capteur vers la surface du solide en vrac/pulvérulent.

L'étrier est livré non monté et doit être vissé au capteur avant la mise en service à l'aide des trois vis à six pans creux M5 x 10 et des rondelles ressorts. Couple de serrage maxi., voir au chapitre "*Caractéristiques techniques*". Outil nécessaire : clé à six pans creux de 4.

Pour visser l'étrier au capteur, vous avez deux possibilités. Suivant l'option choisie, le capteur pourra être pivoté dans l'étrier de la façon suivante :

- Boîtier à chambre unique
 - Angle d'inclinaison 180° graduellement
 - Angle d'inclinaison en trois échelons 0°, 90° et 180°
- Boîtier à deux chambres
 - Angle d'inclinaison 90° graduellement
 - Angle d'inclinaison en deux échelons 0° et 90°

Montage étanche de l'antenne cône en plastique

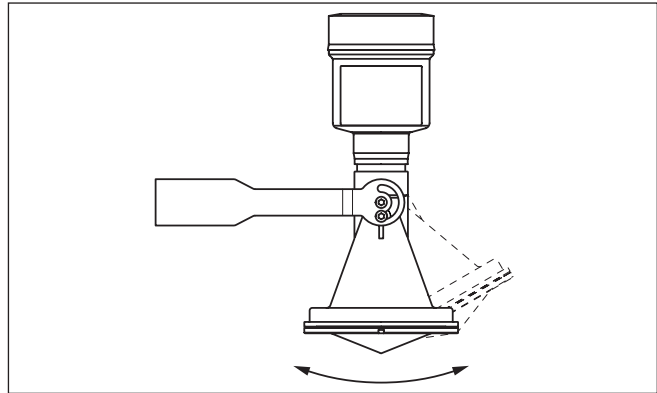


Fig. 3: Réglage de l'angle d'inclinaison

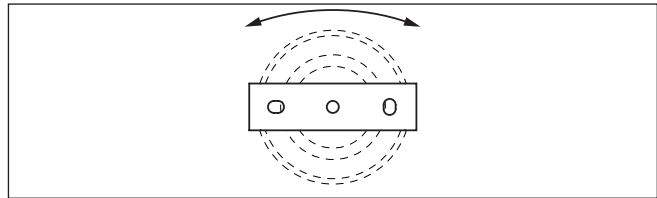


Fig. 4: Pivotement en cas de fixation au centre

4.4 Consignes de montage

Pour un montage étanche de l'antenne cône en plastique avec bride tournante ou d'adaptation, les conditions suivantes doivent être remplies :

1. Utiliser un joint plat adapté, par ex. en EPDM avec une dureté Shore de 25 ou 50
2. Nombre des vis de la bride doit correspondre au nombre des perçages de la bride
3. Serrer toutes les vis avec le couple de serrage indiqué dans les caractéristiques techniques

Polarisation

Les impulsions radar émises par le capteur radar sont des ondes électromagnétiques. La polarisation correspond à l'orientation de la partie électrique. En faisant pivoter l'appareil dans la bride de fixation ou le raccord à visser, vous pouvez utiliser la polarisation pour atténuer les répercussions d'échos parasites.

La position de la polarisation est signalée par un marquage sur le raccord process de l'appareil.

Position de montage

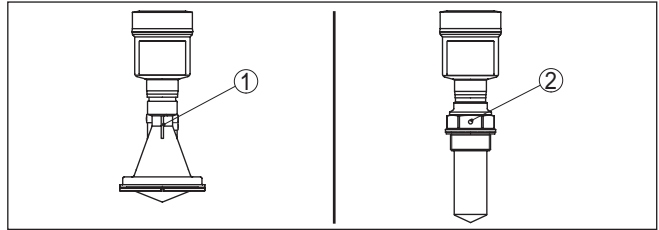


Fig. 5: Position de la polarisation

- 1 Marquage pour version avec antenne cône en plastique
- 2 Marquage pour version avec système d'antenne encapsulée

Installez le capteur à une distance d'au moins 200 mm (7.874 in) de la paroi de la cuve. Si le capteur est installé au centre d'une cuve torosphérique ou à toit bombé, il pourra se créer des échos multiples. Ceux-ci peuvent être éliminés par un réglage adéquat (voir au chapitre "Mise en service").

Si vous ne pouvez pas respecter cet écart, il vous faudra procéder à une mémorisation des signaux parasites lors de la mise en service. Ceci est valable en particulier en cas de risque de colmatages sur les parois de la cuve. Dans ce cas, il est recommandé de recommencer la mémorisation des échos parasites lorsque les colmatages se seront formés sur la paroi.

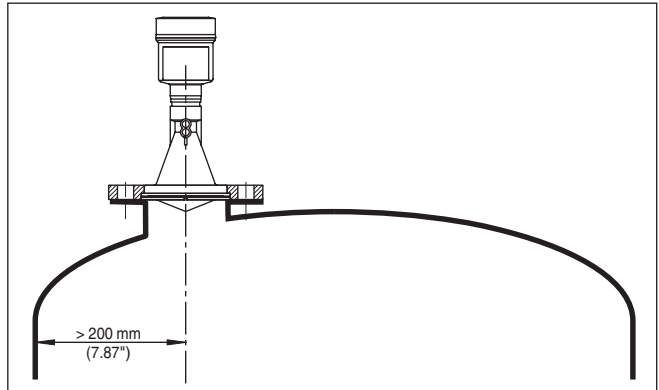


Fig. 6: Montage du capteur radar dans une cuve à toit bombé

Dans les cuves à fond conique, il peut être avantageux d'installer le capteur au centre de la cuve, le capteur pouvant alors mesurer jusqu'au fond de la cuve.

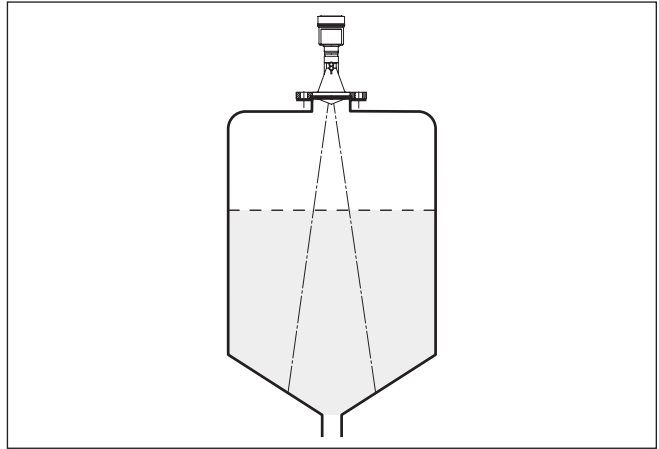
Flux de produit

Fig. 7: Montage du capteur radar dans des cuves à fond conique

N'installez pas les appareils au dessus ou dans le flot de remplissage de votre cuve. Assurez-vous que vous mesurez la surface du produit et non le flot de remplissage.

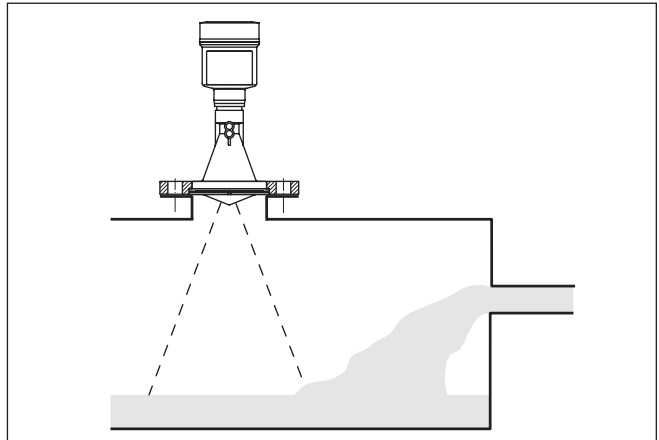


Fig. 8: Montage du capteur radar en présence d'un flux de produit

Manchon pour système d'antennes encapsulées

Prévoyez les dimensions de votre rehausse de façon à ce que le bord de l'antenne dépasse de la rehausse d'au moins 10 mm (0.4 in).

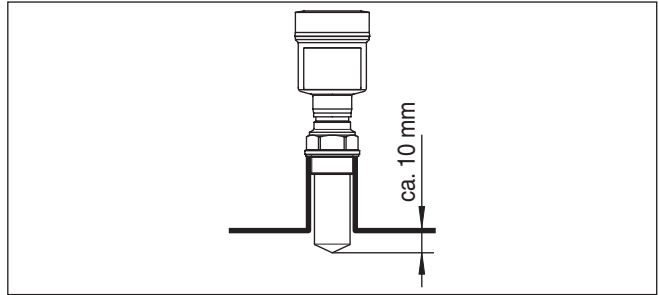


Fig. 9: Montage sur rehausse recommandé

Si les propriétés de réflexion de votre produit sont bonnes, vous pouvez installer le capteur LEVEL TRANSMITTER 8136 sur une rehausse qui pourra être plus haute que la longueur de l'antenne. Vous trouverez les valeurs de référence des hauteurs de rehausse dans la figure suivante. L'extrémité de la rehausse doit dans ce cas être lisse, sans bavure et arrondie si possible. Vous devez procéder ensuite à une mémorisation des signaux parasites.

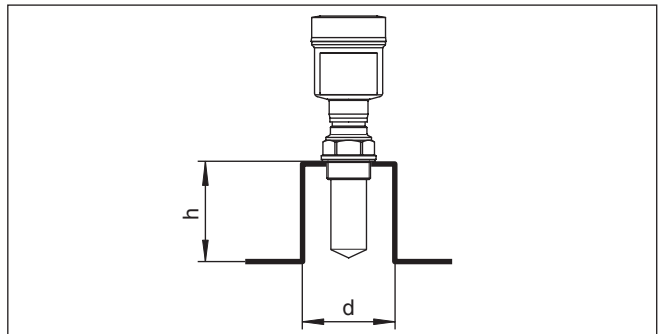


Fig. 10: Autres dimensions de rehausse

Les tableaux ci-dessous vous indiquent la longueur de rehausse maximum h en fonction du diamètre d .

Diamètre de rehausse d	Hauteur de rehausse h
40 mm	≤ 200 mm
50 mm	≤ 250 mm
80 mm	≤ 300 mm
100 mm	≤ 400 mm
150 mm	≤ 500 mm

Diamètre de rehausse d	Hauteur de rehausse h
1½"	≤ 7.9 in
2"	≤ 9.9 in
3"	≤ 11.8 in

Manchon pour l'antenne cuve en plastique

Diamètre de rehausse d	Hauteur de rehausse h
4"	≤ 15.8 in
6"	≤ 19.7 in

Pour le montage du LEVEL TRANSMITTER 8136 sur une rehausse, nous vous proposons une bride tournante correspondante pour DN 80 (ASME 3" ou JIS 80) ainsi qu'une bride d'adaptation appropriée.

Pour les variantes de boîtiers en plastique, à chambre unique en alu et en acier inox, vous pouvez passer la bride tournante directement au dessus du boîtier. Pour le boîtier à deux chambres en alu, un montage ultérieur n'est pas possible, le type de montage doit être fixé à la commande.



Information:

Le manchon doit être aussi court que possible et l'extrémité de la rehausse doit être arrondie. Les réflexions parasites dues à la rehausse de la cuve sont ainsi minimisées.

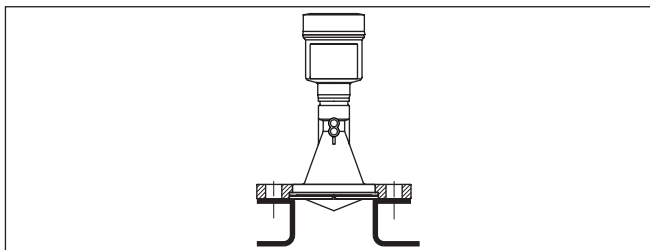
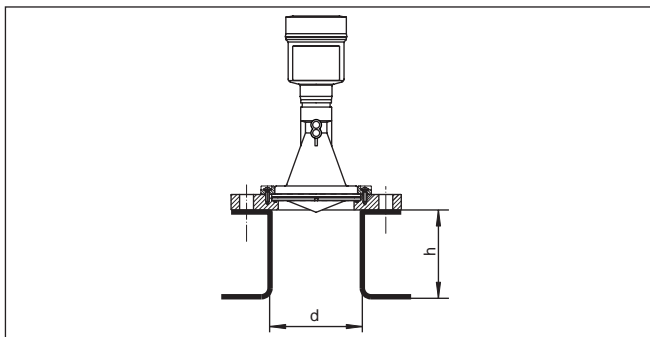


Fig. 11: Montage sur rehausse recommandé

En présence de bonnes propriétés de réflexion du produit, vous pourrez installer le LEVEL TRANSMITTER 8136 également sur une rehausse plus longue. Vous trouverez les valeurs de référence des hauteurs de rehausse dans le schéma suivant. Il vous faudra ensuite procéder à une mémorisation des signaux parasites.



Les tableaux ci-dessous vous indiquent la longueur de rehausse maximum h en fonction du diamètre d.

Diamètre de rehausse d	Hauteur de rehausse h
80 mm	≤ 300 mm
100 mm	≤ 400 mm
150 mm	≤ 500 mm

Diamètre de rehausse d	Hauteur de rehausse h
3"	≤ 11.8 in
4"	≤ 15.8 in
6"	≤ 19.7 in

Orientation du capteur

Dans les liquides, orientez le capteur perpendiculairement à la surface du produit pour obtenir des résultats de mesure optimaux.

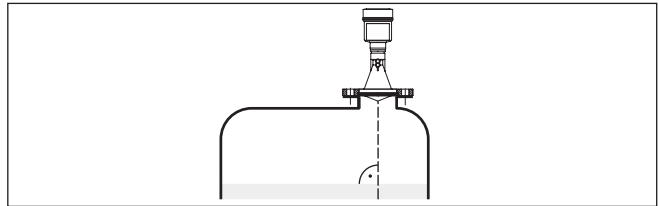


Fig. 13: Orientation du capteur dans les liquides

Cuves encombrées

La position de votre capteur radar doit être choisi de façon à ce qu'aucun obstacle ne croise les signaux radar.

Des obstacles fixes dans la cuve, comme p.ex. échelles, détecteurs de seuils, serpentins de chauffe, renforts métalliques etc. peuvent entraîner des échos parasites importants et avoir des répercussions sur l'écho utile. Veillez lors de la conception à ce que la trajectoire des signaux radar vers le produit soit complètement libre.

S'il y a des obstacles fixes dans votre cuve, procédez à une mémorisation des signaux parasites lors de la mise en service.

Si de grands obstacles fixes dans la cuve, tels que des renforts et des poutres métalliques, provoquent des échos parasites, il est possible d'atténuer ceux-ci en prenant des mesures complémentaires. De petits écrans en tôle, disposés de façon inclinée au-dessus des obstacles, "dispersent" les signaux radar et empêchent ainsi efficacement une réflexion directe d'échos parasites.

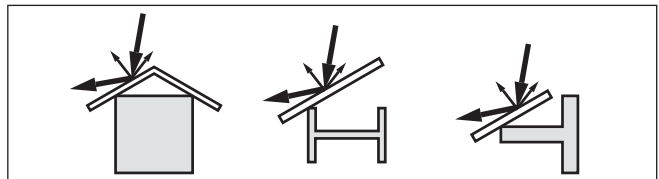


Fig. 14: Recouvrir les obstacles lisses par des déflecteurs

Agitateurs

Si des agitateurs sont installés dans votre cuve, procédez à une mémorisation des signaux parasites lorsque les agitateurs sont en marche. Ainsi, il sera possible de mémoriser les réflexions parasites causées par l'agitateur dans ses différentes positions.

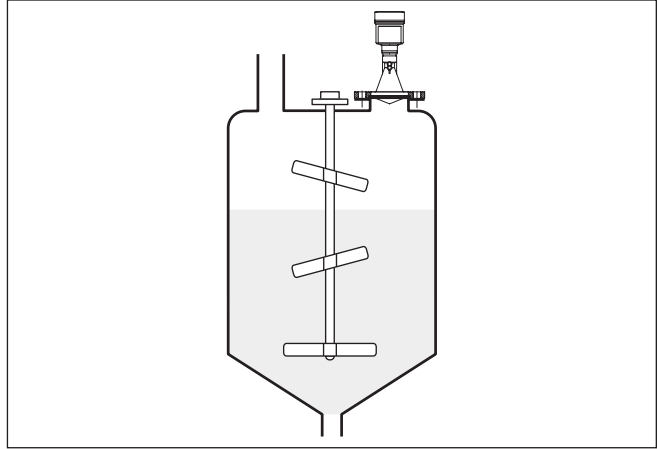


Fig. 15: Agitateurs

Formation de mousse

Remplissages, agitateurs ou autres process dans la cuve peuvent conduire à une formation de mousse en partie très compacte à la surface du produit. Cette mousse est susceptible d'atténuer fortement le signal d'émission.

Si la présence de mousse entraîne des erreurs de mesure, utilisez une antenne radar la plus grande possible, l'électronique avec sensibilité augmentée ou un capteur radar à basse fréquence (bande C).

Les capteurs radar à impulsions guidées représentent une alternative. Ils ne sont pas influencés par la formation de mousse et sont particulièrement bien appropriés à ces applications.

4.5 Dispositions de mesure - tubes

Mesure dans tube tranquillisateur

La mesure dans un tube tranquillisateur permet d'exclure les influences causées par les cuves encombrées et les turbulences. Dans ces conditions, il est possible de réaliser une mesure de produits à faible constante diélectrique ($\epsilon_r \leq 1,6$).

Pour effectuer une mesure dans un tube tranquillisateur, respecter les illustrations et conseils suivants.



Information:

Dans les produits tendant fortement à colmater, la mesure dans un tube tranquillisateur n'est pas recommandée.

Structure d'un tube tran-
quillisateur

MAN 1000102666 ML Version: C Status: RL (released | freigegeben) printed: 22.09.2017

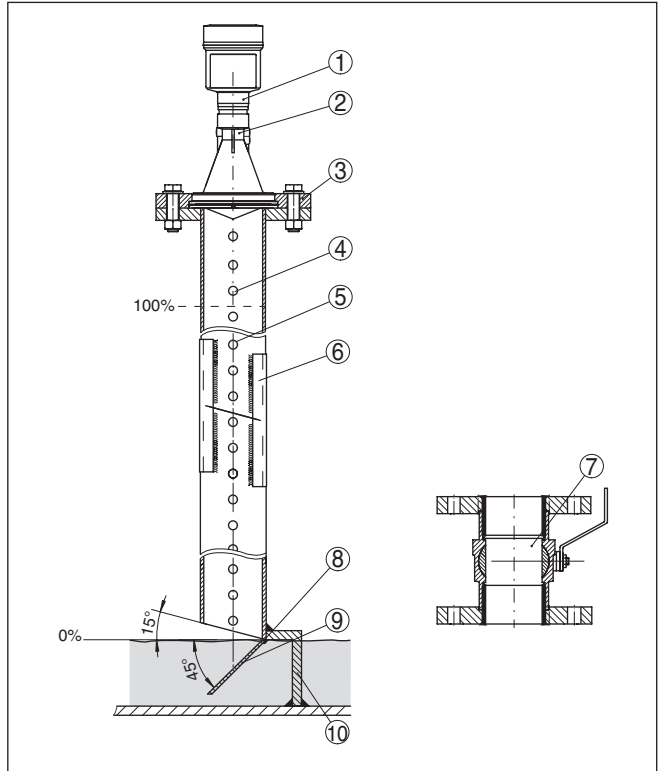


Fig. 16: Structure d'un tube tranquillisateur LEVEL TRANSMITTER 8136

- 1 Capteur radar
- 2 Marquage de la polarisation
- 3 Filetage ou bride à l'appareil
- 4 Perçage de purge
- 5 Perçages
- 6 Soudure par profilé en U
- 7 Vanne à boisseau sphérique à passage intégral
- 8 Extrémité du tube tranquillisateur
- 9 Tôle réflectrice
- 10 Fixation du tube tranquillisateur

Prolongation du tube tranquillisateur

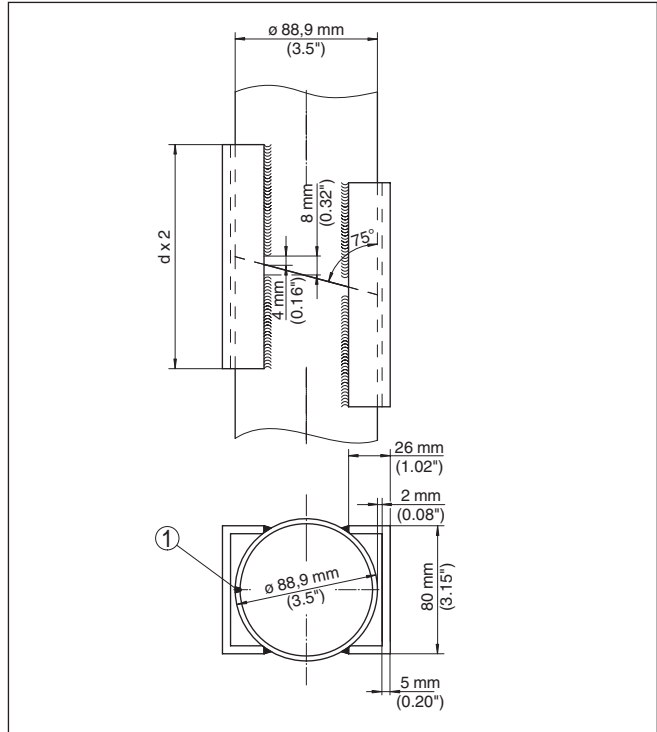


Fig. 17: Soudure sur prolongation de tube tranquillisateur pour différents exemples de diamètres

1 Position du cordon de soudure pour les tubes soudés en long

Remarques et exigences relatives au tube tranquillisateur

Remarques sur l'orientation de la polarisation :

- Tenir compte du marquage de la polarisation sur le capteur
- Sur les versions filetées, le marquage se trouve sur les six pans, tandis que sur les versions à bride, il est entre deux perçages de la bride
- Le marquage doit être dans le même plan que les perçages du tube tranquillisateur

Remarques concernant la mesure :

- Le point 100 % doit se trouver en dessous du perçage de purge supérieur et du bord de l'antenne
- Le point 0 % est l'extrémité du tube tranquillisateur
- Lors du paramétrage, il faut sélectionner "Application Tube de mesure" et saisir le diamètre du tube pour compenser les erreurs dues au décalage du temps de propagation
- La réalisation d'une élimination des signaux parasites avec capteur monté est recommandée mais pas absolument nécessaire
- La mesure est possible à travers une vanne à boisseau sphérique à passage intégral

Exigences relatives à la construction :

- Matériau : métal. Intérieur du tube lisse
- De préférence tube en acier inox étiré ou soudé longitudinalement
- Le cordon de soudure doit être le plus arasant possible et dans l'axe des perçages
- Les brides doivent être soudées sur le tube en fonction de l'orientation de la polarisation
- En cas d'utilisation d'une vanne à boisseau sphérique, aligner les surfaces intérieures des pièces au niveau des transitions et fixer les pièces en respectant les ajustements
- Taille des interstices au niveau des transitions $\leq 0,1$ mm
- L'extrémité du tube tranquillisateur doit atteindre le niveau de mesure minimum désiré, une mesure n'étant possible que dans le tube
- Diamètre des perçages ≤ 5 mm, nombre quelconque, d'un seul côté ou des deux côtés
- Le diamètre de l'antenne du capteur doit correspondre le plus possible au diamètre intérieur du tube
- Le diamètre doit être constant sur toute la longueur du tube

Remarques concernant la prolongation du tube tranquillisateur :

- Les extrémités du tube de prolongation doivent être coupées en biais et alignées précisément bout à bout.
- Soudure selon l'illustration ci-dessus à l'aide de profilés en U à l'extérieur. Longueur des profilés en U : minimum le double du diamètre du tube
- Veiller à ce que le cordon de soudure ne traverse pas entièrement la paroi du tube tranquillisateur, dont la surface intérieure doit rester lisse. En cas de pénétration trop importante de la soudure, enlever soigneusement les inégalités présentes sur la surface intérieure du tube, car celles-ci provoqueraient des échos parasites de forte intensité et favoriseraient les colmatages
- Du point de vue technique, l'utilisation de brides à collerette à souder ou de manchons pour la prolongation n'est pas recommandée pour les mesures.

Mesure dans tube bypass La mesure dans un tube bypass en dehors de la cuve est une alternative à la mesure dans un tube tranquillisateur.

Structure du tube bypass

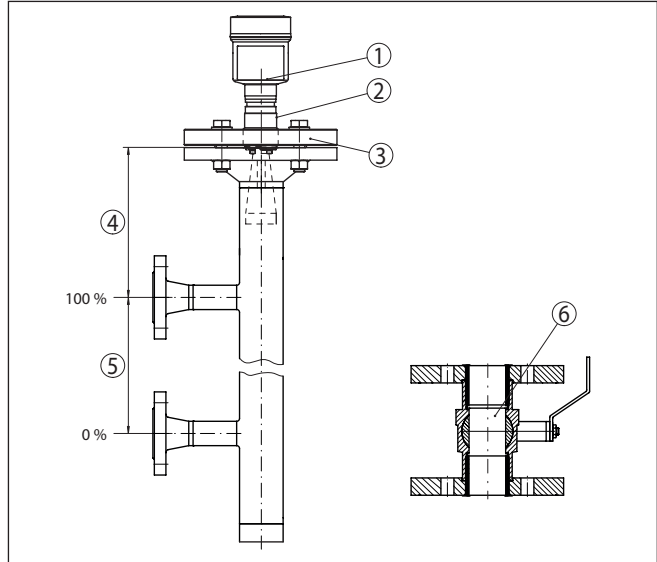


Fig. 18: Structure du tube bypass

- 1 Capteur radar
- 2 Marquage de la polarisation
- 3 Bride de l'appareil
- 4 Distance entre niveau de référence du capteur et jonction de tube supérieure
- 5 Distance entre les jonctions de tube
- 6 Vanne à boisseau sphérique à passage intégral

Remarques et exigences relatives au bypass

Remarques sur l'orientation de la polarisation :

- Tenir compte du marquage de la polarisation sur le capteur
- Sur les versions filetées, le marquage se trouve sur le six pans, tandis que sur les versions à bride, il est entre deux perçages de la bride
- Le marquage doit être sur le même plan que les jonctions de tube de la cuve

Remarques concernant la mesure :

- Le point 100 % ne doit pas se trouver au-dessus de la jonction de tube supérieure
- Le point 0 % ne doit pas se trouver en dessous de la jonction de tube inférieure
- Distance minimale entre niveau de référence du capteur et arête supérieure de la jonction de tube supérieure > 300 mm
- Lors du paramétrage, il faut sélectionner "Application Tube de mesure" et saisir le diamètre du tube pour compenser les erreurs dues au décalage du temps de propagation
- La réalisation d'une élimination des signaux parasites avec capteur monté est recommandée mais pas absolument nécessaire

**Mesure de débit avec
déversoir rectangulaire**

- La mesure est possible à travers une vanne à boisseau sphérique à passage intégral

Exigences relatives à la construction du tube bypass :

- Matériau : métal. Intérieur du tube lisse
- Si la surface intérieure du tube est très rugueuse, utiliser un tube de guidage inséré dans le tube bypass ou un capteur radar avec antenne à tube
- Les brides doivent être soudées sur le tube en fonction de l'orientation de la polarisation
- Taille des interstices au niveau des transitions $\leq 0,1$ mm, p. ex. en cas d'utilisation d'une vanne à boisseau sphérique ou de brides intermédiaires pour raccorder plusieurs sections de tube
- Le diamètre de l'antenne du capteur doit correspondre le plus possible au diamètre intérieur du tube
- Le diamètre doit être constant sur toute la longueur du tube

4.6 Disposition de mesure - débit

Les exemples succincts suivants vous donnent un petit aperçu de la mesure de débit. Vous obtiendrez des données de conception détaillées en consultant des fabricants de canaux jaugeurs et la littérature spécialisée.

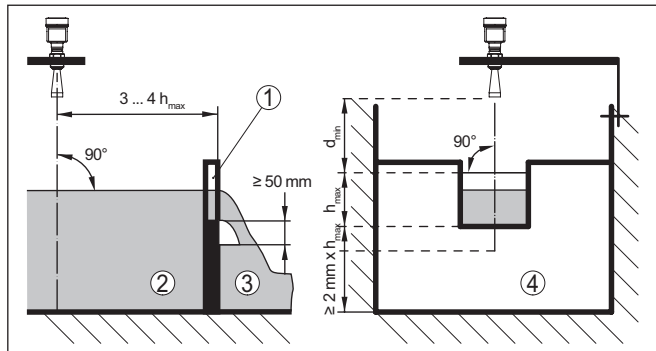


Fig. 19: Mesure de débit avec déversoir rectangulaire : d_{min} = écart minimum du capteur (voir chapitre "Caractéristiques techniques") ; h_{max} = remplissage max. du déversoir rectangulaire

- 1 Paroi du déversoir (vue latérale)
- 2 Amont du canal
- 3 Aval du canal
- 4 Organe déprimogène (vue de l'aval du canal)

De façon générale, respecter les points suivants :

- Montage du capteur en amont du canal
- Montage au centre du canal et perpendiculairement à la surface du liquide
- Écart entre capteur et paroi du déversoir
- Écart entre ouverture de la paroi et fond du déversoir
- Écart minimum entre l'ouverture de la paroi et l'aval du déversoir
- Écart minimum entre capteur et hauteur de retenue maxi.

Mesure de débit avec canal Venturi Khafagi

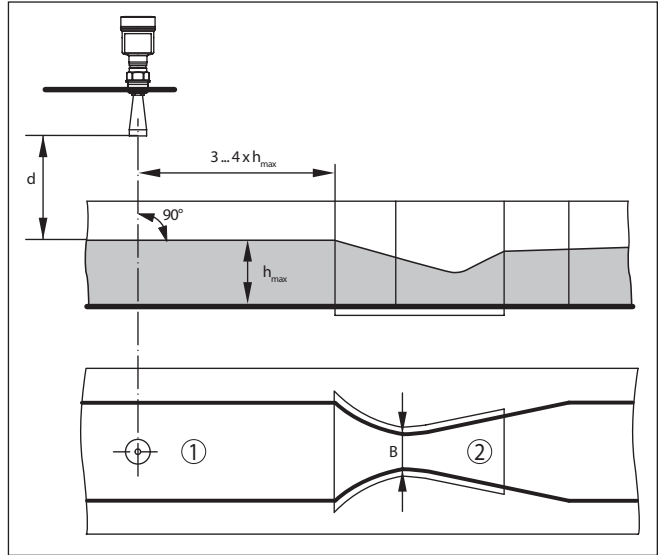


Fig. 20: Mesure de débit avec canal Venturi Khafagi : d = écart minimum du capteur ; $h_{max.}$ = remplissage maxi. du canal ; B = étranglement maximum du canal

- 1 Position du capteur
- 2 Canal Venturi

De façon générale, respecter les points suivants :

- Montage du capteur sur le côté de l'entrée
- Montage au centre du canal et perpendiculairement à la surface du liquide
- Écart entre le capteur et le canal Venturi
- Écart minimum entre capteur et hauteur de retenue maxi.

5 Raccordement à l'alimentation en tension

5.1 Préparation du raccordement

Respectez toujours les consignes de sécurité suivantes :



Attention !

Raccorder l'appareil uniquement hors tension.

- Le raccordement électrique ne doit être effectué que par du personnel qualifié, spécialisé et autorisé par l'exploitant de l'installation.
- En cas de risque de surtensions, installer des appareils de protection contre les surtensions.

MAN 1008102666 ML Version: C Status: RL (released) freigegeben | printed: 22.09.2017

Consignes de sécurité

Tension d'alimentation

L'alimentation de tension et le signal courant s'effectuent par le même câble de raccordement bifilaire. La tension de service peut différer en fonction de la version de l'appareil.

Vous trouverez les données concernant l'alimentation de tension au chapitre "*Caractéristiques techniques*".

Veillez à une séparation sûre entre le circuit d'alimentation et les circuits courant secteur selon DIN EN 61140 VDE 0140-1.

Prenez en compte les influences supplémentaires suivantes pour la tension de service :

- Une tension de sortie plus faible du bloc d'alimentation sous charge nominale (par ex. pour un courant capteur de 20,5 mA ou 22 mA en cas de signalisation de défaut)
- Influence d'autres appareils dans le circuit courant (voir valeurs de charge au chapitre "*Caractéristiques techniques*")

Câble de raccordement

L'appareil sera raccordé par du câble 2 fils usuel non blindé. Si vous vous attendez à des perturbations électromagnétiques pouvant être supérieures aux valeurs de test de l'EN 61326-1 pour zones industrielles, il faudra utiliser du câble blindé.

Utilisez du câble de section ronde pour les appareils avec boîtier et presse-étoupe. Contrôlez pour quel diamètre extérieur du câble le presse-étoupe est approprié afin de garantir l'étanchéité du presse-étoupe (protection IP).

Utilisez un presse-étoupe adapté au diamètre du câble.

Nous vous recommandons d'utiliser du câble blindé en fonctionnement HART multidrop.

Entrée de câble ½ NPT

Dans le cas du boîtier en plastique, visser le presse-étoupe NPT ou le conduit en acier non enduit de graisse dans la douille taraudée.

Couple de serrage maximal pour tous les boîtiers : voir au chapitre "*Caractéristiques techniques*".

Blindage électrique du câble et mise à la terre

Si un câble blindé est nécessaire, nous vous recommandons de relier le blindage du câble au potentiel de terre des deux côtés. Dans le capteur, le blindage devrait être raccordé directement à la borne de

Blindage électrique du câble et mise à la terre

Technique de raccordement

Types de raccordement

terre interne. La borne de terre externe se trouvant sur le boîtier doit être reliée à basse impédance au potentiel de terre.

Dans les installations Ex, la mise à la terre est réalisée conformément aux règles d'installation.

Si un câble blindé est nécessaire, nous vous recommandons de relier le blindage du câble au potentiel de terre des deux côtés. Dans le capteur, le blindage devrait être raccordé directement à la borne de terre interne. La borne de terre externe se trouvant sur le boîtier doit être reliée à basse impédance au potentiel de terre.

Dans les installations Ex, la mise à la terre est réalisée conformément aux règles d'installation.

5.2 Raccordement

Le branchement de la tension d'alimentation et du signal de sortie se fait par des bornes à ressort situées dans le boîtier.

La liaison vers le module de réglage et d'affichage ou l'adaptateur d'interfaces se fait par des broches se trouvant dans le boîtier.



Information:

Le bornier est enfichable et peut être enlevé de l'électronique. Pour ce faire, soulevez-le avec un petit tournevis et extrayez-le. Lors de son encliquetage, un bruit doit être audible.

Procédez comme suit :

1. Dévisser le couvercle du boîtier
2. Si un module de réglage et d'affichage est installé, l'enlever en le tournant légèrement vers la gauche
3. Desserrer l'écrou flottant du presse-étoupe
4. Enlever la gaine du câble sur 10 cm (4 in) env. et dénuder l'extrémité des conducteurs sur 1 cm (0.4 in) env.
5. Introduire le câble dans le capteur en le passant par le presse-étoupe.



Fig. 21: Étapes de raccordement 5 et 6 - boîtier à une chambre

6. Enfiler les extrémités des conducteurs dans les bornes suivant le schéma de raccordement



Information:

Les conducteurs rigides de même que les conducteurs souples avec cosse seront enfichés directement dans les ouvertures des bornes. Pour les conducteurs souples sans cosse, presser avec un petit tournevis sur la partie supérieure de la borne ; l'ouverture est alors libérée. Lorsque vous enlevez le tournevis, la borne se referme.

Pour plus d'informations sur la section max. des conducteurs, voir "*Caractéristiques techniques/Caractéristiques électromécaniques*".

7. Vérifier la bonne fixation des conducteurs dans les bornes en tirant légèrement dessus
8. Raccorder le blindage à la borne de terre interne et relier la borne de terre externe à la liaison équipotentielle
9. Bien serrer l'écrou flottant du presse-étoupe. L'anneau d'étanchéité doit entourer complètement le câble
10. Remettre le module de réglage et d'affichage éventuellement disponible
11. Revisser le couvercle du boîtier

Le raccordement électrique est terminé.

5.3 Schéma de raccordement



Le schéma suivant est valable aussi bien pour la version non-Ex que pour la version Ex-ia.

Compartiment électronique et de raccordement

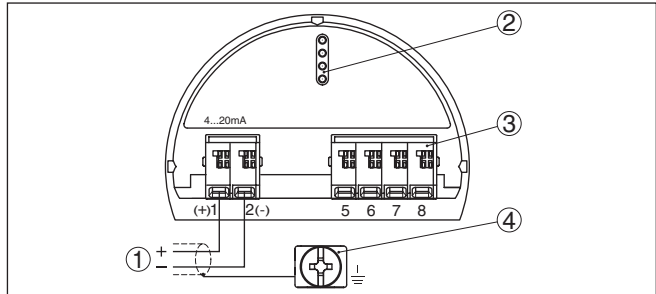


Fig. 22: Compartiment électronique et de raccordement boîtier à chambre unique

- 1 Tension d'alimentation, signal de sortie
- 2 Pour module de réglage et d'affichage ou adaptateur d'interfaces
- 3 Pour unité de réglage et d'affichage externe
- 4 Borne de terre pour le raccordement du blindage du câble

5.4 Phase de mise en marche

Après le raccordement à la tension d'alimentation ou après un retour de celle-ci, l'appareil effectuera un autotest durant env. 30 sec. et comprenant :

- Vérification interne de l'électronique
- Affichage du type d'appareil, de la version du matériel et du logiciel, du nom de la voie de mesure sur l'écran ou sur le PC.
- Affichage de la signalisation d'état "F 105 Détermination valeur mesure" sur l'écran ou sur le PC
- Un saut du signal de sortie sur le courant de défaut réglé

Dès qu'une valeur de mesure plausible est trouvée, le courant respectif sera ensuite délivré sur la ligne signal. Sa valeur correspond au niveau actuel ainsi qu'aux réglages déjà réalisés, par exemple au réglage d'usine.

6 Mise en service avec le module de réglage et d'affichage

6.1 Insertion du module de réglage et d'affichage

Le module de réglage et d'affichage peut être mis en place dans le capteur et à nouveau retiré à tout moment. Vous pouvez choisir entre quatre positions décalées de 90°. Pour ce faire, il n'est pas nécessaire de couper l'alimentation en tension.

Procédez comme suit :

1. Dévisser le couvercle du boîtier
2. Montez le module d'affichage et de réglage dans la position souhaitée sur l'électronique et tournez le vers la droite jusqu'à ce qu'il s'enclenche
3. Visser fermement le couvercle du boîtier avec hublot

Le démontage s'effectue de la même façon, mais en sens inverse.

Le module de réglage et d'affichage est alimenté par le capteur, un autre raccordement n'est donc pas nécessaire.

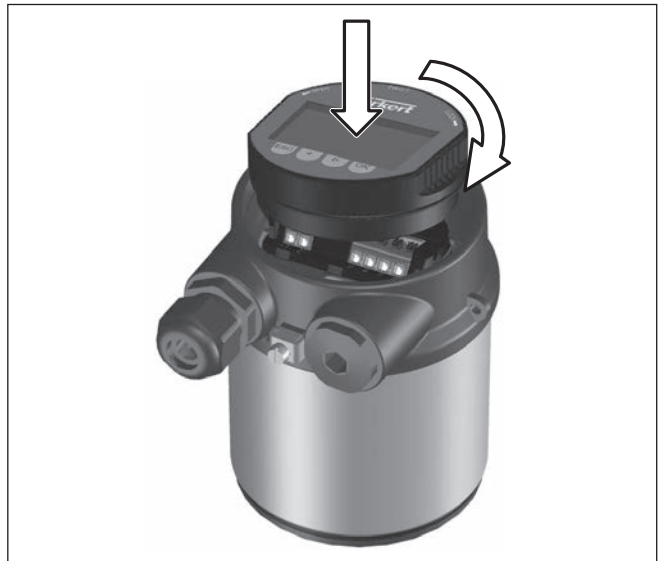


Fig. 23: Montage du module d'affichage et de réglage dans le boîtier à chambre unique



Remarque:

Si le module de réglage et d'affichage doit demeurer définitivement dans votre appareil pour disposer en permanence d'un affichage des valeurs de mesure, il vous faudra un couvercle plus haut muni d'un hublot.

6.2 Système de réglage

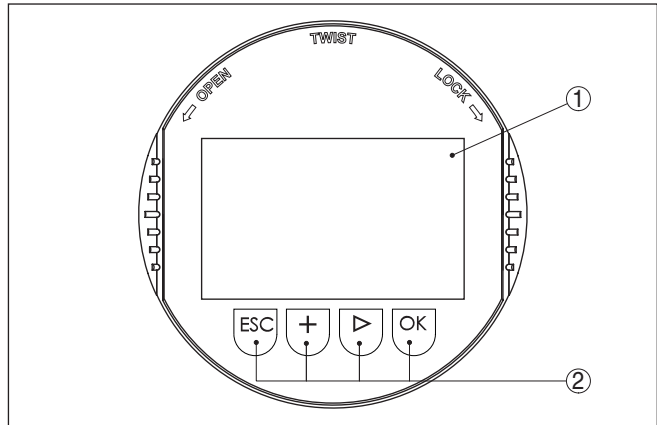


Fig. 24: Éléments de réglage et d'affichage

- 1 Affichage LC
- 2 Touches de réglage

Fonctions de touche

- Touche **[OK]** :
 - Aller vers l'aperçu des menus
 - Confirmer le menu sélectionné
 - Éditer les paramètres
 - Enregistrer la valeur
- Touche **[->]** :
 - Changer de représentation de la valeur de mesure
 - Sélectionner une mention dans la liste
 - Sélectionner une position d'édition
- Touche **[+]** :
 - Modifier la valeur d'un paramètre
- Touche **[ESC]** :
 - Interrompre la saisie
 - Retour au menu supérieur

Système de réglage

Vous ferez le réglage de votre appareil par les quatre touches du module de réglage et d'affichage. L'afficheur LCD vous indique chacun des menus et sous-menus. Les différentes fonctions vous ont été décrites précédemment. Un retour automatique à l'affichage des valeurs de mesure se fera env. 60 minutes après le dernier appui sur une touche. À ce moment là, les valeurs n'ayant pas encore été validées avec **[OK]** seront perdues.

6.3 Paramétrage

Le paramétrage est l'adaptation de l'appareil aux conditions d'application. Il s'effectue par le biais d'un menu.

Menu principal

Le menu principal est subdivisé en cinq domaines ayant les fonctionnalités suivantes :



Mise en service : Réglages relatifs, p. ex., au nom de la voie de mesure, au produit, à l'application, à la cuve, au réglage mini./maxi., à la sortie signal

Écran : Réglages concernant, par ex., la langue, l'affichage de la valeur de mesure, l'éclairage

Diagnostic : Informations relatives, p. ex., à l'état de l'appareil, aux index suiveurs, à la fiabilité de la mesure, à la simulation, à la courbe d'échos

Autres réglages : unité de l'appareil, élimination des signaux parasites, courbe de linéarisation, reset, date/heure, reset, fonction copier

Info : Nom de l'appareil, version du matériel et du logiciel, date de l'étalonnage, caractéristiques de l'appareil



Information:

Dans cette notice de mise en service, les paramètres spécifiques à l'appareil sont décrits dans les menus "*Mise en service*", "*Diagnostic*" et "*Autres réglages*". Les paramètres généraux de ces menus sont décrits dans la notice de mise en service "*Module de réglage et d'affichage*".

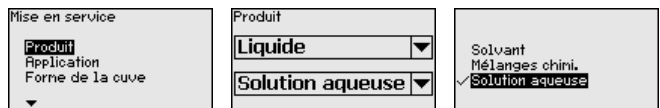
Vous trouverez également dans la notice de mise en service "*Module de réglage et d'affichage*" la description des menus "*Affichage*" et "*Info*".

Pour configurer de façon optimale la mesure, sélectionnez successivement les différents sous-menus du point de menu principal "*Mise en service*" et réglez les paramètres conformément à votre application. La procédure est décrite ci-après.

Mise en service - Produit

Chaque produit possède ses propres propriétés de réflexion. Il faut également tenir compte des facteurs de perturbation, qui sont les surfaces agitées et la formation de mousse dans le cas des liquides. Dans le cas des solides en vrac/pulvérulents, il s'agit du dégagement de poussières, du cône de remplissage et des échos supplémentaires provenant de la paroi de la cuve.

Pour adapter le capteur à ces différentes conditions de mesure, il faut d'abord procéder à la sélection "*Liquide*" ou "*Solides en vrac*" dans ce point du menu.



Mise en service - Application

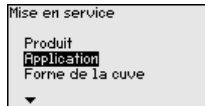


Grâce à cette sélection, vous adaptez votre capteur de façon optimale à votre produit et vous augmentez sensiblement la fiabilité de votre mesure, en particulier avec des produits à mauvaises propriétés de réflexion.

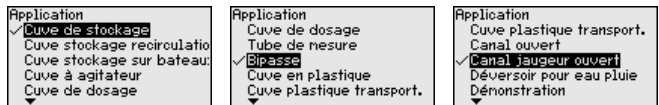
Saisissez les paramètres désirés avec les touches respectives, sauvegardez vos saisies avec **[OK]** puis passez au point de menu suivant avec **[ESC]** et **[->]**.

La mesure peut être influencée non seulement par le produit, mais également par l'application ou le lieu d'utilisation.

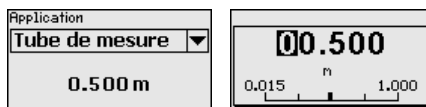
Ce point du menu vous permet d'adapter le capteur aux conditions de mesure. Les possibilités de réglage dépendent de la sélection ("*Liquide*" ou "*Solides en vrac*") effectuée sous "*Produit*".



Pour "*Liquide*", vous disposez des possibilités de sélection suivantes :



Si vous sélectionnez "*Tube de mesure*", une nouvelle fenêtre, dans laquelle vous pouvez saisir le diamètre intérieur du tube de mesure utilisé, s'ouvre.



Les applications ont les caractéristiques suivantes :

Cuve de stockage :

- Montage : à grand volume, cylindrique debout, allongée ronde
- Vitesse du produit : remplissage et vidange lents
- Conditions de mesure/de process :
 - Formation de condensat
 - Surface du produit calme
 - Hautes exigences concernant la précision de la mesure
- Caractéristiques du capteur :
 - Faible sensibilité contre les échos parasites sporadiques
 - Valeurs de mesure stables et fiables grâce au calcul de la valeur moyenne
 - Haute précision de mesure
 - Temps de réaction court du capteur non nécessaire

Cuve de stockage avec circulation du produit :

- Montage : à grand volume, cylindrique debout, allongée ronde
- Vitesse du produit : remplissage et vidange lents
- Installations : petit agitateur monté latéralement ou grand agitateur monté au-dessus
- Conditions de mesure/de process :
 - Surface du produit relativement calme
 - Hautes exigences concernant la précision de la mesure
 - Formation de condensat
 - Faible formation de mousse
 - Débordement possible
- Caractéristiques du capteur :
 - Faible sensibilité contre les échos parasites sporadiques
 - Valeurs de mesure stables et fiables grâce au calcul de la valeur moyenne
 - Haute précision de la mesure il n'est pas réglé pour une vitesse max.
 - Élimination des signaux parasites recommandée

Cuve de stockage sur bateaux (Cargo Tank) :

- Vitesse du produit : remplissage et vidange lents
- Cuve :
 - Obstacles fixés au sol (renforcements, serpentins de chauffe)
 - Manchons hauts 200 ... 500 mm, également avec de grands diamètre
- Conditions de mesure/de process :
 - Formation de condensat, dépôts de produit causés par les mouvements
 - Haute exigence concernant la précision de la mesure à partir de 95 %
- Caractéristiques du capteur :
 - Faible sensibilité contre les échos parasites sporadiques
 - Valeurs de mesure stables et fiables grâce au calcul de la valeur moyenne
 - Haute précision de mesure
 - Élimination des signaux parasites nécessaire

Réservoir à agitateur (réacteur) :

- Structure : toutes tailles de cuve possibles
- Vitesse du produit :
 - Remplissage rapide à lent possible
 - La cuve est remplie et vidangée très souvent
- Cuve :
 - Présence d'un manchon
 - Grandes pales de l'agitateur en métal
 - Antivortex, serpentins de chauffe
- Conditions de mesure/de process :
 - Formation de condensat, dépôts de produit causés par les mouvements
 - Forte formation de trombe
 - Surface très agitée, formation de mousse
- Caractéristiques du capteur :

- Vitesse de mesure plus élevée grâce à moins de calcul de la valeur moyenne
- Les échos parasites sporadiques sont supprimés

Cuve de dosage :

- Structure : toutes tailles de cuve possibles
- Vitesse du produit :
 - Remplissage et vidange très rapide
 - La cuve est remplie et vidangée très souvent
- Cuve : situation de montage exigue
- Conditions de mesure/de process :
 - Formation de condensation, dépôts de produit sur l'antenne
 - Formation de mousse
- Caractéristiques du capteur :
 - Vitesse de la mesure optimisée grâce à un calcul de la valeur moyenne presque inexistant
 - Les échos parasites sporadiques sont supprimés
 - Élimination des signaux parasites recommandée

Tube guide d'ondes :

- Vitesse du produit : remplissage et vidange très rapides
- Cuve :
 - Perçage de purge
 - Points de jonction telles que brides, cordons de soudure
 - Décalage du temps de propagation dans le tube
- Conditions de mesure/de process :
 - Formation de condensat
 - Colmatages
- Caractéristiques du capteur :
 - Vitesse de la mesure optimisée grâce à la réduction du calcul de la valeur moyenne
 - La saisie du diamètre intérieur du tube prend en compte le décalage du temps de propagation
 - Sensibilité de détection des échos réduite

Bypass :

- Vitesse du produit :
 - Remplissage rapide jusqu'à lent possible pour des tuyaux bypass courts à longs
 - Le niveau est souvent maintenu par une régulation
- Cuve :
 - Accès et sorties latéraux
 - Points de jonction telles que brides, cordons de soudure
 - Décalage du temps de propagation dans le tube
- Conditions de mesure/de process :
 - Formation de condensat
 - Colmatages
 - Séparation de l'huile et de l'eau possible
 - Débordement jusqu'à l'antenne possible
- Caractéristiques du capteur :
 - Vitesse de la mesure optimisée grâce à la réduction du calcul de la valeur moyenne

- La saisie du diamètre intérieur du tube prend en compte le décalage du temps de propagation
- Sensibilité de détection des échos réduite
- Élimination des signaux parasites recommandée

Cuve en plastique :

- Cuve :
 - Mesure installée ou montée fixement
 - Mesure selon l'application à travers le couvercle de la cuve
 - Dans les cuves vides, la mesure peut traverser le fond
- Conditions de mesure/de process :
 - Formation de condensation sur le couvercle en plastique
 - Pour les installations extérieures, dépôt possible d'eau ou de neige sur le couvercle de la cuve
- Caractéristiques du capteur :
 - Les signaux parasites en dehors du réservoir sont pris en compte
 - Élimination des signaux parasites recommandée

Cuve en plastique transportable :

- Cuve :
 - Matériau et épaisseur différents
 - Mesure à travers le couvercle de la cuve
- Conditions de mesure/de process :
 - Saut de la valeur de mesure lors du remplacement de la cuve
- Caractéristiques du capteur :
 - Adaptation rapide aux conditions de réflexions modifiées grâce à un changement de réservoir
 - Élimination des signaux parasites nécessaire

Eaux ouvertes (mesure de hauteur d'eau) :

- Vitesse de modification de la hauteur d'eau : modification lente de la hauteur d'eau
- Conditions de mesure/de process :
 - L'écart entre le capteur et la surface de l'eau est grand
 - Haute atténuation du signal sortie en raison de formation d'ondes
 - Formation de glace et de condensation possible sur l'antenne
 - Les araignées et les insectes font leur nid dans les antennes
 - Présence sporadique d'alluvions ou d'animaux sur la surface de l'eau
- Caractéristiques du capteur :
 - Valeurs de mesure stables et fiables grâce à un calcul élevé de la valeur moyenne
 - Insensible en zone proche

Canal jaugeur ouvert (mesure de débit) :

- Vitesse de modification de la hauteur d'eau : modification lente de la hauteur d'eau
- Conditions de mesure/de process :
 - Formation de glace et de condensation possible sur l'antenne
 - Les araignées et les insectes font leur nid dans les antennes
 - Surface de l'eau calme

- Un résultat de la mesure précis est requis
- Les écarts avec la surface de l'eau sont normalement relativement grands
- Caractéristiques du capteur :
 - Valeurs de mesure stables et fiables grâce à un calcul élevé de la valeur moyenne
 - Insensible en zone proche

Déversement d'eau de pluie (déversoir) :

- Vitesse de modification de la hauteur d'eau : modification lente de la hauteur d'eau
- Conditions de mesure/de process :
 - Formation de glace et de condensation possible sur l'antenne
 - Les araignées et les insectes font leur nid dans les antennes
 - Surface de l'eau agitée
 - Noyage du capteur possible
- Caractéristiques du capteur :
 - Valeurs de mesure stables et fiables grâce à un calcul élevé de la valeur moyenne
 - Insensible en zone proche

Démonstration :

- Réglage pour toutes les applications qui ne sont pas typiquement des mesures de niveau
 - Démonstration de l'appareil
 - Reconnaissance / surveillance de l'objet (réglages supplémentaires nécessaires)
- Caractéristiques du capteur :
 - Le capteur accepte immédiatement chaque modification de la valeur de mesure dans la zone de mesure
 - Haute sensibilité contre les défauts car presque pas de calcul de la valeur moyenne



Avertissement !

Dans le cas où il y aurait une séparation de liquides ayant des constantes diélectriques différentes dans la cuve, p. ex. du fait d'une formation d'eau de condensation, il est possible que le capteur radar ne détecte, dans certaines circonstances, que le produit ayant la constante diélectrique la plus élevée. Tenez donc du fait que les interfaces peuvent fausser la mesure.

Si vous désirez mesurer en toute fiabilité la hauteur totale des deux liquides, contactez notre service ou utilisez un appareil de mesure d'interface.

Pour "Solides en vrac", vous disposez des possibilités de sélection suivantes :

Application <input type="text" value="Silo"/>	Application <input checked="" type="checkbox"/> Silo <input type="checkbox"/> Trémie <input type="checkbox"/> Trémie à remplis. rapide <input type="checkbox"/> Décharge <input type="checkbox"/> Concasseur	Application <input type="checkbox"/> Décharge <input type="checkbox"/> Concasseur <input checked="" type="checkbox"/> Démonstration <hr style="border-top: 1px dashed black;"/> <input type="text" value="Silo"/>
--	---	---

Les applications ont les caractéristiques suivantes :

Silo (mince et haut) :

- Cuve en métal : cordons de soudure
- Conditions de mesure/de process :
 - Remplissage près du capteur
 - Bruits du système plus élevés lorsque le silo est complètement vide
- Caractéristiques du capteur :
 - Valeurs de mesure stables grâce à un calcul plus élevé de la valeur moyenne
 - Élimination des signaux parasites lors de la mise en service recommandé, nécessaire pour élimination des signaux parasites automatique
 - Élimination automatique des signaux parasites lorsque la cuve est en partie remplie

Trémie (à grand volume) :

- Cuve en béton ou en métal :
 - Parois de la cuve structurées
 - Présence d'installations
- Conditions de mesure/de process :
 - Grande distance vers le produit
 - Grand angle de talutage
- Caractéristiques du capteur :
 - Calcul moyen de la valeur moyenne
 - De grands sauts de la valeur de mesure sont acceptés

Trémie avec un remplissage rapide :

- Cuve en béton ou en métal, également silo à plusieurs chambres :
 - Parois de la cuve structurées
 - Présence d'installations
- Conditions de mesure/de process :
 - Sauts de la valeur de mesure, par ex. au moyen d'un remplissage par poids-lourd
 - Grande distance vers le produit
 - Grand angle de talutage
- Caractéristiques du capteur :
 - Calcul faible de la valeur moyenne
 - De très grands sauts de la valeur de mesure sont acceptés

Halde :

- Montage du capteur sur la bande transporteuse mobile
- Saisie du profil de la halde
- Saisie de la hauteur pendant le déversement
- Conditions de mesure/de process :
 - Sauts de la valeur de mesure par ex. par le profil de la halde et des traverses
 - Grand angle de talutage
 - Mesure près du courant de remplissage
- Caractéristiques du capteur :
 - Calcul moyen de la valeur moyenne
 - De grands sauts de la valeur de mesure sont acceptés

Concasseur :

- Cuve : installations, présence de dispositifs de rattrapage d'usure et de protections
- Conditions de mesure/de process :
 - Sauts de la valeur de mesure, par ex. au moyen d'un remplissage par poids-lourd
 - Vitesse de réaction rapide
 - Grande distance vers le produit
- Caractéristiques du capteur :
 - Peu de calcul de la valeur moyenne
 - Vitesse de réaction max., de grands sauts de la valeur de mesure sont acceptés

Démonstration :

- Réglage pour toutes les applications qui ne sont pas typiquement des mesures de niveau
 - Démonstration de l'appareil
 - Reconnaissance / surveillance de l'objet (réglages supplémentaires nécessaires)
- Caractéristiques du capteur :
 - Le capteur accepte immédiatement chaque modification de la valeur de mesure dans la zone de mesure
 - Haute sensibilité contre les défauts car presque pas de calcul de la valeur moyenne

Grâce à cette sélection, vous adaptez votre capteur de façon optimale à l'application ou au lieu d'utilisation, et vous augmentez sensiblement la fiabilité de votre mesure pour les différentes conditions d'utilisation.

Saisissez les paramètres désirés avec les touches respectives, sauvegardez vos saisies avec **[OK]** puis passez au point de menu suivant avec **[ESC]** et **[->]**.

Mise en service - Hauteur cuve, plage mesure

Grâce à cette sélection, vous adaptez la plage de travail du capteur à la hauteur de la cuve et vous augmentez sensiblement la fiabilité de votre mesure pour les différentes conditions d'utilisation.

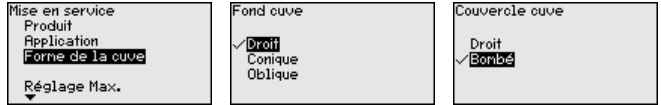
Indépendamment de cela, vous devez encore procéder ensuite au réglage mini.



Saisissez les paramètres désirés avec les touches respectives, sauvegardez vos saisies avec **[OK]** puis passez au point de menu suivant avec **[ESC]** et **[->]**.

Mise en service - Forme de la cuve

La mesure peut être influencée non seulement par le produit et l'application, mais également par la forme de la cuve. Pour adapter le capteur aux conditions de mesure, ce point de menu vous propose, pour certaines applications, différentes possibilités de sélection pour le fond et le couvercle de la cuve.



Saisissez les paramètres désirés avec les touches respectives, sauvegardez vos saisies avec [OK] puis passez au point de menu suivant avec [ESC] et [->].

Mise en service - Réglage

Le capteur radar étant un appareil de mesure de distance, ce sera précisément la distance du capteur au produit qui sera mesurée. Pour pouvoir afficher la hauteur de remplissage proprement dite, il faudra procéder à une affectation de la distance mesurée au pourcentage de la hauteur.

Pour effectuer ce réglage, on saisira la distance avec une cuve pleine et celle avec une cuve vide. Voir l'exemple suivant :

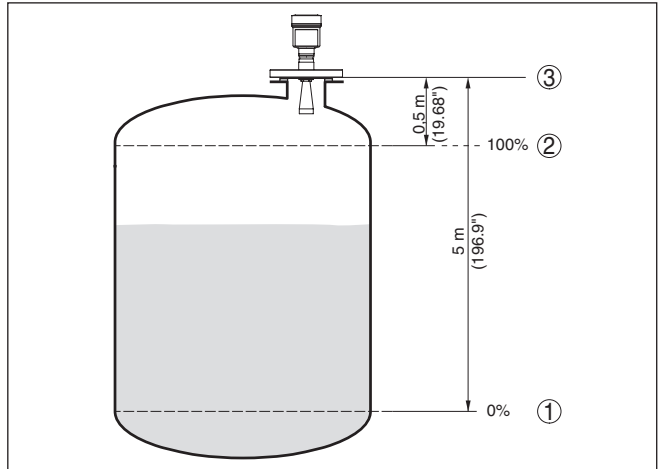


Fig. 25: Exemple de paramétrage réglage min./max.

- 1 Niveau min. = distance de mesure max.
- 2 Niveau max. = distance de mesure min.
- 3 Niveau de référence

Si ces distances ne sont pas connues, on peut également procéder au réglage avec les distances correspondant à 10 % et 90 % par exemple. Le point de départ pour ces indications de distance est toujours le niveau de référence, c'est-à-dire la face de joint du filetage ou de la bride. Vous trouverez des indications sur le niveau de référence au chapitre "Caractéristiques techniques". Grâce à ces valeurs, le capteur pourra calculer la hauteur de remplissage proprement dite.

Pour ce réglage, le niveau momentané ne joue aucun rôle. Le réglage min./max. sera toujours réalisé sans variation de niveau. Ainsi, ces réglages peuvent être effectués déjà à l'avance, sans avoir auparavant à installer le capteur.

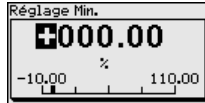
Mise en service - Réglage mini.

Procédez comme suit :

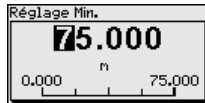
1. Sélectionner le point de menu "Mise en service" avec [->] et confirmer avec [OK]. Sélectionner maintenant, avec [->], le point de menu "Réglage min." et confirmer avec [OK].



2. Passer à l'édition de la valeur pour cent avec [OK] et placer le curseur avec [->] sur la position désirée.



3. Régler le pourcentage souhaité avec [+] et l'enregistrer avec [OK]. Le curseur se positionne alors sur la valeur de distance.

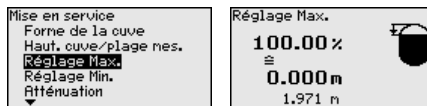


4. Saisir la valeur distance en mètres correspondant à la valeur pour cent pour le réservoir vide (par exemple distance entre capteur et fond de la cuve).
5. Sauvegarder les réglages avec [OK] et aller avec [ESC] et [->] au réglage maxi.

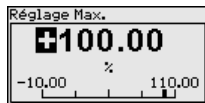
Mise en service - Réglage maxi.

Procédez comme suit :

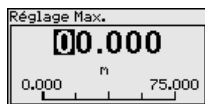
1. Sélectionner le point de menu Réglage maxi. avec [->] et confirmer avec [OK].



2. Préparer l'édition de la valeur pour cent avec [OK] et placer le curseur avec [->] sur la position désirée.

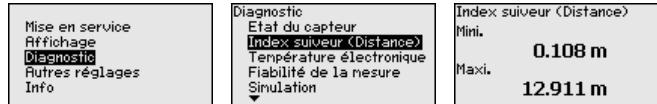


3. Régler le pourcentage souhaité avec [+] et l'enregistrer avec [OK]. Le curseur se positionne alors sur la valeur de distance.

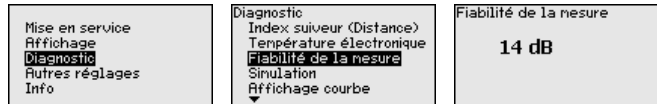


4. Saisir la valeur distance en mètre correspondant à la valeur pour cent pour le réservoir plein. Ne pas oublier que le niveau maximal doit se trouver à une distance minimale du bord de l'antenne.
5. Sauvegarder les réglages avec **[OK]**

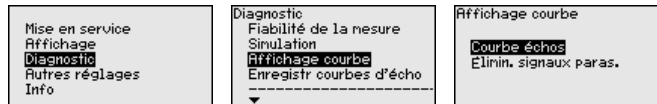
Ce sont respectivement les valeurs de mesure mini. et maxi. qui seront mémorisées dans le capteur. Vous pourrez obtenir leur affichage au menu "Index suiveur".



Pour les capteurs fonctionnant sans contact avec le produit, la mesure peut être influencée par les conditions de process régnant sur le site. Dans ce menu, la fiabilité de la mesure de l'écho niveau est indiquée comme valeur dB. La fiabilité de la mesure est égale à l'amplitude du signal moins le niveau bruit. Plus la valeur est grande, plus votre mesure sera fiable. Les valeurs sont > 10 dB avec une mesure fonctionnant correctement.

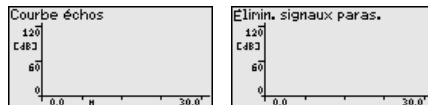


La "courbe échos" représente la puissance du signal des échos sur la plage de mesure en dB. La puissance du signal permet une évaluation de la qualité de la mesure.



La fonction "Élimination des signaux parasites" représente les échos parasites mémorisés (voir au menu "Autres réglages") de la cuve vide avec la puissance du signal en "dB" sur la plage de mesure.

Une comparaison entre la courbe des échos et l'élimination des signaux parasites permet de porter un jugement plus précis sur la fiabilité de la mesure.



La courbe sélectionnée sera actualisée en permanence. La touche **[OK]** vous permet d'ouvrir un sous-menu comportant des fonctions zoom :

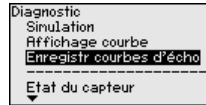
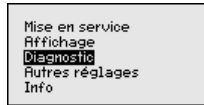
- "Zoom X" : fonction gros plan de la distance de mesure
- "Zoom Y" : vous amplifie 1x, 2x, 5x et 10x le signal en "dB"
- "Unzoom" : vous permet de revenir à la plage de mesure nominale avec simple agrandissement.

MAN 1000102666 Version: C Status: RL (release) Date: 2-09-2017 Diagnostic - Index suiveur Diagnostic - Fiabilité de la mesure Diagnostic - Affichage de la courbe

Diagnostic - Mémoire des courbes échos

La fonction "*Mémoire des courbes échos*" permet d'enregistrer la courbe échos au moment de la mise en service. Ceci est généralement recommandé et même exigé pour l'utilisation de la fonctionnalité gestion des actifs. L'enregistrement doit être si possible effectué lorsque le niveau est faible.

La courbe écho peut être affichée et utilisée à l'aide du logiciel de configuration PACTware et du PC afin de reconnaître les modifications de signal pendant la durée de fonctionnement. De plus, la courbe échos de la mise en service peut également être affichée dans la fenêtre des courbes échos et être comparée avec la courbe écho actuelle.



Autres réglages - Élimination des signaux parasites

Les éléments suivants sont de nature à engendrer des réflexions parasites qui peuvent fausser la mesure :

- Grandes rehausses
- Obstacles fixes dans la cuve tels que des renforts métalliques
- Agitateurs
- Colmatages ou cordons de soudure sur les parois de la cuve



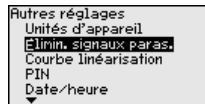
Remarque:

La fonction Élimination des signaux parasites détecte, marque et mémorise ces signaux parasites afin que ceux-ci ne soient plus pris en compte pour la mesure de niveau.

Cela devrait être effectué avec un niveau faible afin de pouvoir mesurer toutes les réflexions parasites existantes.

Procédez comme suit :

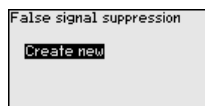
1. Sélectionner le point de menu **Élimination des signaux parasites** avec "[>]" et confirmer avec [OK].



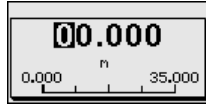
2. Confirmer à nouveau avec [OK].



3. Confirmer à nouveau avec [OK].



4. Confirmer à nouveau avec [OK] et saisir la distance effective entre le capteur et la surface du produit.



- Tous les signaux parasites existant dans cette plage seront saisis par le capteur et mémorisés après que vous aurez confirmé avec **[OK]**.



Remarque:

Vérifiez la distance entre capteur et surface du produit. La saisie d'une fausse valeur (trop grande) entraîne la mémorisation du niveau actuel comme signal parasite. Dans ce cas, le capteur ne pourra plus mesurer le niveau dans cette plage.

Si une élimination des signaux parasites avait déjà été créée dans le capteur, la fenêtre de menu suivante apparaît lors de la sélection de "Élimination des signaux parasites" :



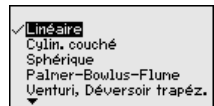
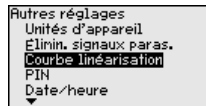
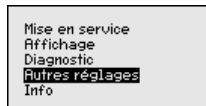
Supprimer : une élimination des signaux parasites déjà créée sera complètement supprimée. Ceci est judicieux lorsque l'élimination des signaux parasites n'est plus adaptée aux éléments techniques de la cuve.

Étendre : une élimination des signaux parasites existante est étendue. Ceci est judicieux, par exemple, lorsque une élimination des signaux parasites a été effectuée à un niveau trop haut et il n'était donc pas possible de mesurer tous les échos parasites. Si vous sélectionnez "Étendre", la distance par rapport à la surface du produit de l'élimination des signaux parasites est affichée. Cette valeur peut alors être modifiée et l'élimination des signaux parasites peut être étendue à cette zone.

Autres réglages - Courbe de linéarisation

Une linéarisation est nécessaire pour tous les réservoirs dont le volume n'augmente pas linéairement avec la hauteur du niveau, par exemple dans une cuve cylindrique couchée ou dans une cuve sphérique, et lorsque l'on veut obtenir l'affichage ou la sortie du volume. Pour ces cuves, on a mémorisé des courbes de linéarisation adéquates. Elles indiquent la relation entre le pourcentage de la hauteur du niveau et le volume de la cuve.

En activant la courbe adéquate, vous obtiendrez l'affichage correct du pourcentage de volume. Si vous ne désirez pas obtenir l'affichage du volume en %, mais en litre ou en kilogramme par exemple, vous pouvez en plus régler un calibrage au menu "Affichage".



Saisissez les paramètres désirés avec les touches respectives, sauvegardez vos saisies puis passez au point de menu suivant avec les touches [ESC] et [->].



Avertissement !

Pour l'utilisation d'appareils avec un agrément respectif comme partie d'une sécurité antidébordement selon WHG (norme allemande), il faudra tenir compte des points suivants :

Si une courbe de linéarisation est sélectionnée, le signal de mesure n'est plus obligatoirement linéaire par rapport à la hauteur de remplissage. L'utilisateur doit en tenir compte, en particulier lors du réglage du point de commutation sur le détecteur de niveau.

Autres réglages - Reset

Lors d'un reset, certains réglages des paramètres effectués par l'utilisateur sont réinitialisés.



Les fonctions Reset suivantes sont disponibles :

Paramètres d'usine : restauration des paramètres à la livraison, réglages spécifiques à la commande inclus. Une élimination des signaux parasites créée, une courbe de linéarisation programmée par l'utilisateur ainsi que la mémoire de valeurs de mesure seront effacées.

Réglages de base : réinitialisation des réglages des paramètres, y compris les paramètres spéciaux (restauration des valeurs par défaut de l'appareil respectif). Une élimination des signaux parasites créée, une courbe de linéarisation programmée par l'utilisateur ainsi que la mémoire de valeurs de mesure seront effacées.

Mise en service : Réinitialisation des réglages de paramétrage aux valeurs par défaut de l'appareil respectif dans le point du menu Mise en service. Une élimination des signaux parasites créée, une courbe de linéarisation programmée par l'utilisateur, la mémoire de valeurs de mesure ainsi que la mémoire d'événements sont conservées. La linéarisation est réglée sur Linéaire.

Élimination des signaux parasites : effacement d'une élimination des signaux parasites créée précédemment. L'élimination des signaux parasites créée en usine reste active.

Index suiveur valeur de mesure : Réglage des distances min. et max. mesurées sur la valeur de mesure actuelle.

Le tableau ci-dessous contient les valeurs par défaut de l'appareil. Pour des versions d'appareil déterminées, certains points de menu ne sont pas disponibles ou comportent des valeurs différentes :

Menu	Point de menu	Valeur par défaut
Mise en service	Nom de la voie de mesure	Capteur
	Produit	Liquide/Solution aqueuse Solides en vrac/cailloux, gravier
	Application	Cuve de stockage Silo
	Forme de la cuve	Fond cuve : Bombé Couvercle cuve : Bombé
	Hauteur de la cuve/Plage de mesure	Plage de mesure recommandée, voir " <i>Caractéristiques techniques</i> " à l'annexe
	Réglage min.	Plage de mesure recommandée, voir " <i>Caractéristiques techniques</i> " à l'annexe
	Réglage max.	0,000 m(d)
	Atténuation	0,0 s
	Mode sortie de courant	4 ... 20 mA, < 3,6 mA
	Sortie de courant min./max.	Courant min. 3,8 mA, courant max. 20,5 mA
	Bloquer réglage et configuration	Débloquée
Afficheur	Langue	Selon la commande
	Valeur d'affichage	Distance
	Unité d'affichage	m
	Grandeur de calibration	Volume l
	Calibrage	0,00 lin %, 0 l 100,00 lin %, 100 l
	Éclairage	Éteint
Autres réglages	Unité de distance	m
	Unité de température	°C
	Longueur de la sonde de mesure	Longueur du tube guide d'ondes départ usine
	Courbe de linéarisation	Linéaire
	Mode de fonctionnement HART	Standard Adresse 0

6.4 Sauvegarde des données de paramétrage

Nous vous recommandons de noter les données réglées, par exemple dans cette notice de mise en service et de les archiver à la

suite. Ainsi, elles seront disponibles pour une utilisation ultérieure et à des fins de maintenance.

Si l'appareil est équipé d'un module de réglage et d'affichage, des données du capteur pourront être mémorisées dans le module de réglage et d'affichage. La procédure est décrite dans le manuel de mise en service "*Module de réglage et d'affichage*" au point de menu "*Copier données capteur*". Les données y resteront mémorisées à demeure, même en cas d'une coupure d'alimentation du capteur.

Les données et réglages suivants, effectués avec le module de réglage et d'affichage, seront mémorisés lors de cette sauvegarde :

- Toutes les données des menus "*Mise en service*" et "*Affichage*"
- Dans le menu "*Autres réglages*", les points "*Unités spécifiques au capteur, unité de température et linéarisation*"
- Les valeurs de la courbe de linéarisation à programmation libre

Cette fonction peut également être utilisée pour transférer les réglages d'un appareil dans un autre appareil du même type. Au cas où il serait nécessaire de remplacer le capteur, il suffit d'enficher le module de réglage et d'affichage dans l'appareil de remplacement et de transférer les données dans le capteur par le biais du point du menu "*Copier données capteur*".

7 Mise en service avec PACTware

7.1 Raccordement du PC

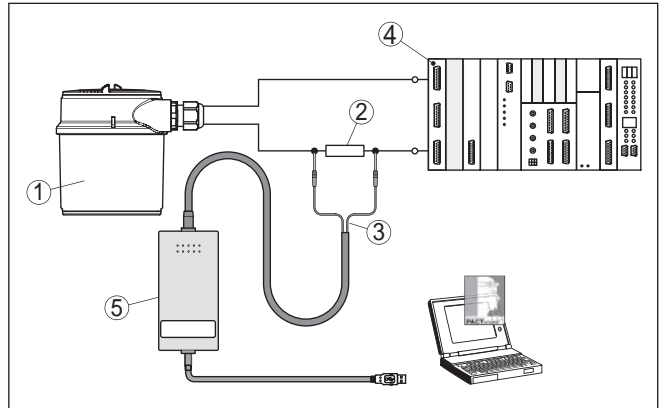


Fig. 26: Raccordement du PC à la ligne signal via HART

- 1 Capteur
- 2 Résistance HART 250 Ω (en option selon l'exploitation)
- 3 Câble de raccordement avec contacts mâles 2 mm et bornes
- 4 Système d'exploitation/API/alimentation en tension

7.2 Paramétrage via PACTware

Pour le paramétrage du capteur via un PC Windows, le logiciel de configuration PACTware et un pilote d'appareil (DTM) adéquat selon le standard FDT sont nécessaires. La version PACTware actuelle respective ainsi que tous les DTMs disponibles sont réunis dans une Collection DTM. De plus, les DTMs peuvent être intégrés dans d'autres applications cadres selon le standard FDT.



Remarque:

Utilisez toujours la toute dernière collection DTM parue pour pouvoir disposer de toutes les fonctions de l'appareil. En outre, la totalité des fonctions décrites n'est pas comprise dans les anciennes versions de firmware. Vous pouvez télécharger le logiciel d'appareil le plus récent sur notre site web. Une description de la procédure de mise à jour est également disponible sur internet.

7.3 Sauvegarde des données de paramétrage

Nous vous recommandons de documenter et de sauvegarder les données de paramétrage à l'aide de PACTware. Ainsi, celles-ci seront disponibles pour des utilisations multiples et à des fins de maintenance ou de service.

MAN 100010266
ML Version: C Status: RL (released | freigegeben) printed: 2017
Vig adaptateur d'inter-
faces et HART

Conditions requises

8 Mise en service avec d'autres systèmes

8.1 Programmes de configuration DD

Des descriptions d'appareil sont disponibles en tant qu'Enhanced Device Description (EDD) pour des programmes de configuration DD, comme par ex. AMS™ et PDM.

8.2 Communicator 375, 475

Il existe des descriptions d'appareil sous forme de DD ou d'EDD pour le paramétrage avec le Field Communicator 375 ou 475.

9 Diagnostic, gestion des actifs et service

9.1 Maintenance

Si l'on respecte les conditions d'utilisation, aucun entretien ne sera nécessaire en fonctionnement normal.

9.2 Mémoire de diagnostic

L'appareil dispose de plusieurs mémoires pour les diagnostics. Les données sont conservées même en cas de coupure de la tension.

Jusqu'à 100.000 valeurs de mesure peuvent ainsi être mémorisées dans une mémoire tampon circulaire du capteur. Chaque donnée mémorisée comprend la date/l'heure ainsi que la valeur de mesure correspondante. Exemples des valeurs mémorisables :

- Distance
- Hauteur de remplissage
- Valeur en pourcent
- Pour cent lin.
- Calibré(e)
- Valeur courant
- Fiabilité de mesure
- Température de l'électronique

La mémoire de valeurs de mesure est active à la livraison et enregistre toutes les 3 minutes la distance, la fiabilité de la mesure et la température de l'électronique.

Vous pouvez définir les valeurs à enregistrer et les conditions d'enregistrement à l'aide d'un PC avec PACTware/DTM ou du système de conduite avec EDD. C'est également de cette manière que vous pouvez lire ou réinitialiser les données.

Jusqu'à 500 événements peuvent être mémorisés avec horodatage de façon non volatile dans le capteur. Chaque donnée mémorisée comprend la date/l'heure, le type d'évènement, la description de l'évènement et la valeur. Exemples des types d'évènement :

- Modification d'un paramètre
- Instants de mise sous et hors tension
- Messages d'état (selon NE 107)
- Signalisations de défaut (selon NE 107)

Vous pouvez lire les données à l'aide d'un PC avec PACTware/DTM ou du système de conduite avec EDD.

Mémoires de valeurs de mesure

Mémoire d'évènements

Mémoire des courbes échos

Les courbes échos sont mémorisées pour cela avec la date et l'heure et les données échos correspondantes. La mémoire est répartie en deux zones :

Courbe échos de la mise en service : Elle sert de courbe échos de référence pour les conditions de mesure lors de la mise en service. Cela permet de détecter toute modification des conditions de mesure lors du fonctionnement ou des colmatages sur le capteur. La courbe échos est mémorisée par :

Signalisations d'état

- PC avec PACTware/DTM
- Système de conduite avec EDD
- Module de réglage et d'affichage

Autres courbes échos : Dans cette zone de mémoire, jusqu'à 10 courbes échos peuvent être mémorisées dans le capteur dans une mémoire FIFO. Les autres courbes échos sont mémorisées par :

- PC avec PACTware/DTM
- Système de conduite avec EDD

9.3 Fonction de gestion des actifs

L'appareil est doté d'une fonction d'autosurveillance et de diagnostic selon NE 107 et VDI/VDE 2650. Des signalisations de défaut détaillées concernant les signalisations d'état indiquées dans les tableaux suivants sont visibles sous le point de menu "Diagnostic" via le module d'affichage et de réglage, PACTware/DTM et EDD.

Les signalisations d'état sont réparties selon les catégories suivantes :

- Défaillance
- Contrôle de fonctionnement
- En dehors de la spécification
- Maintenance requise

Elles sont signalées au moyen des pictogrammes suivants :

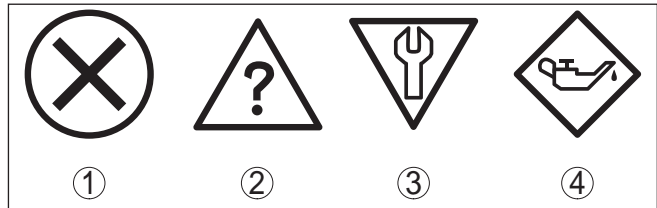


Fig. 27: Pictogramme des signalisations d'état

- 1 Erreur (Failure) - rouge
- 2 En dehors de la spécification (Out of specification) - jaune
- 3 Contrôle de fonctionnement (Function check) - orange
- 4 Maintenance requise (Maintenance) - bleu

Panne (Failure) : L'appareil émet une signalisation de défaut car il reconnaît un défaut de fonctionnement.

Cette signalisation d'état est toujours activée et ne peut pas être désactivée par l'utilisateur.

Contrôle de fonctionnement (Function check) : Des travaux sont effectués à l'appareil et la valeur de mesure n'est temporairement plus valable (par ex. pendant la simulation).

Cette signalisation d'état est désactivée par défaut et peut être activée par l'utilisateur à l'aide de PACTware/DTM ou EDD.

En dehors de la spécification (Out of specification) : La valeur de mesure n'est pas fiable car une spécification de l'appareil est dépassée (par ex. la température du module électronique).

Failure

Cette signalisation d'état est désactivée par défaut et peut être activée par l'utilisateur à l'aide de PACTware/DTM ou EDD.

Maintenance requisite (Maintenance) : La fonction de l'appareil est limitée par des influences externes. Celles-ci ont des répercussions sur la mesure, mais la valeur de mesure est encore valable. Une maintenance de l'appareil est à prévoir car il faut s'attendre à ce que celui-ci tombe bientôt en panne (par ex. du fait de colmatages).

Cette signalisation d'état est désactivée par défaut et peut être activée par l'utilisateur à l'aide de PACTware/DTM ou EDD.

Le tableau ci-dessous contient les codes d'erreur et les messages dans la signalisation d'état "Failure" ainsi que des indications concernant les causes et l'élimination des défauts. Tenez compte du fait que certaines indications ne sont valables que pour les appareils 4 fils.

Code Message	Cause	Suppression
F013 Pas de valeur de mesure existante	<ul style="list-style-type: none"> - Le capteur ne détecte aucun écho pendant le fonctionnement - Système d'antenne encrassé ou défectueux 	<ul style="list-style-type: none"> - Vérifier et, le cas échéant, rectifier le montage et/ou le paramétrage - Nettoyer ou remplacer le composant de raccordement au process ou l'antenne
F017 Écart de réglage trop petit	<ul style="list-style-type: none"> - Réglage en dehors de la spécification 	<ul style="list-style-type: none"> - Modifier le réglage conformément aux valeurs limites (différence entre min. et max. ≥ 10 mm)
F025 Erreur dans tableau de linéarisation	<ul style="list-style-type: none"> - Les points intermédiaires n'augmentent pas de façon continue, par ex. paires de valeurs illogiques 	<ul style="list-style-type: none"> - Vérifier le tableau de linéarisation - Effacer/recréer le tableau
F036 Logiciel capteur non utilisable	<ul style="list-style-type: none"> - La mise à jour du logiciel a échoué ou a été interrompue 	<ul style="list-style-type: none"> - Recommencer la mise à jour du logiciel - Vérifier la version de l'électronique - Remplacer l'électronique - Retourner l'appareil au service réparation
F040 Défaut dans module électronique	<ul style="list-style-type: none"> - Défaut matériel 	<ul style="list-style-type: none"> - Remplacer l'électronique - Retourner l'appareil au service réparation
F080 Erreur logicielle générale	<ul style="list-style-type: none"> - Erreur logicielle générale 	<ul style="list-style-type: none"> - Couper la tension de service pendant un court instant
F105 Détermination valeur mesure	<ul style="list-style-type: none"> - L'appareil étant encore en phase de mise en route, la valeur de mesure n'a pas encore pu être déterminée 	<ul style="list-style-type: none"> - Attendre la fin de la phase de mise en route - Durée selon version et paramétrage : env. 3 min. au maximum

Code Message	Cause	Suppression
F113 Erreur de communication	<ul style="list-style-type: none"> - Perturbations CEM - Erreur de transmission lors de la communication interne avec le bloc d'alimentation à 4 conducteurs 	<ul style="list-style-type: none"> - Éliminer influences CEM - Remplacer le bloc d'alimentation 4 conducteurs ou l'électronique
F125 Température électronique inadmissible	<ul style="list-style-type: none"> - Température du module électronique pas dans la plage spécifiée 	<ul style="list-style-type: none"> - Vérifier la température ambiante - Isoler l'électronique - Utiliser un appareil ayant une plage de températures plus élevée
F260 Erreur d'étalonnage	<ul style="list-style-type: none"> - Erreur lors de l'étalonnage réalisé en usine - Erreur dans l'EEPROM 	<ul style="list-style-type: none"> - Remplacer l'électronique - Retourner l'appareil au service réparation
F261 Erreur dans le réglage d'appareil	<ul style="list-style-type: none"> - Erreur lors de la mise en service - Élimination des signaux parasites erronée - Erreur lors de l'exécution d'un reset 	<ul style="list-style-type: none"> - Effectuer à nouveau la mise en service - Effectuer un reset
F264 Erreur lors montage/mise en service	<ul style="list-style-type: none"> - Réglage en dehors de la hauteur de la cuve/plage de mesure - Plage de mesure maximale de l'appareil non suffisante 	<ul style="list-style-type: none"> - Vérifier et, le cas échéant, rectifier le montage et/ou le paramétrage - Utiliser un appareil ayant une plage de mesure plus grande
F265 Défaut fonction mesure	<ul style="list-style-type: none"> - Le capteur ne mesure plus - Tension de service trop faible 	<ul style="list-style-type: none"> - Vérifier la tension de service - Effectuer un reset - Couper la tension de service pendant un court instant

Function check

Le tableau ci-dessous contient les codes d'erreur et les messages dans la signalisation d'état "*Function check*" ainsi que des indications concernant les causes et l'élimination des défauts.

Code Message	Cause	Suppression
C700 Simulation active	<ul style="list-style-type: none"> - Une simulation est active 	<ul style="list-style-type: none"> - Interrompre la simulation - Attendre la fin automatique après 60 min.

Out of specification

Le tableau ci-dessous contient les codes d'erreur et les messages dans la signalisation d'état "*Out of specification*" ainsi que des indications concernant les causes et l'élimination des défauts.

Maintenance

Code Message	Cause	Suppression
S600 Température électronique inadmissible	– Température du module électronique pas dans la plage spécifiée	– Vérifier la température ambiante – Isoler l'électronique – Utiliser un appareil ayant une plage de températures plus élevée
S601 Débordement	– Danger de débordement de la cuve	– S'assurer qu'aucun autre remplissage n'a lieu – Vérifier le niveau dans la cuve
S603 Tension de service inadmissible	– Tension de service au-dessous de la plage spécifiée	– Vérifier le raccordement électrique – Augmenter la tension de service, si nécessaire

Le tableau ci-dessous contient les codes d'erreur et les messages dans la signalisation d'état "Maintenance" ainsi que des indications concernant les causes et l'élimination des défauts.

Code Message	Cause	Suppression
M500 Erreur lors reset Etat à la livraison	– Les données n'ont pas pu être restaurées lors du reset Etat à la livraison	– Exécuter à nouveau le reset – Charger le fichier XML contenant les données du capteur dans celui-ci
M501 Erreur dans tableau de linéarisation non activé	– Erreur de matériel EEPROM	– Remplacer l'électronique – Retourner l'appareil au service réparation
M502 Erreur dans mémoire de diagnostic	– Erreur de matériel EEPROM	– Remplacer l'électronique – Retourner l'appareil au service réparation
M503 Fiabilité de la mesure trop faible	– La relation échos/bruits est trop petite pour une mesure sûre	– Vérifier les conditions de montage et les conditions de process – Nettoyer l'antenne – Modifier la direction de polarisation – Utiliser un appareil ayant une sensibilité plus grande
M504 Erreur à une interface de l'appareil	– Défaut matériel	– Vérifier les connexions – Remplacer l'électronique – Retourner l'appareil au service réparation

Procédure à suivre pour l'élimination des défauts

Vérifier le signal 4 ... 20 mA

Code Message	Cause	Suppression
M505 Aucun écho	– Écho du niveau ne peut plus être détecté	<ul style="list-style-type: none"> – Nettoyer l'antenne – Utiliser une antenne ou un capteur plus approprié – Éventuel. éliminer échos parasites existants – Optimiser position et orientation du capteur

9.4 Élimination des défauts

Premières mesures à prendre :

- Évaluation des signalisations de défaut, par ex. au moyen du module d'affichage et de réglage
- Vérification du signal de sortie
- Traitement des erreurs de mesure

Vous pouvez obtenir également d'autres possibilités de diagnostics à l'aide d'un ordinateur équipé du logiciel PACTware et du DTM approprié. Cela vous permettra, dans de nombreux cas, de trouver les causes des défauts et d'y remédier.

Raccordez au capteur un multimètre portatif ayant la plage de mesure adéquate conformément au schéma de raccordement. Le tableau ci-dessous contient une description des pannes pouvant affecter le signal courant et des méthodes permettant d'y remédier.

Erreur	Cause	Suppression
Manque de stabilité du signal 4 ... 20 mA	– Variations de la grandeur de mesure	– Régler l'atténuation, selon les appareils, via le module de réglage et d'affichage ou PACTware/DTM
Signal 4 ... 20 mA manque	– Raccordement électrique incorrect	– Vérifier le raccordement selon le chapitre " <i>Étapes de raccordement</i> " et le corriger si besoin est selon le chapitre " <i>Schéma de raccordement</i> "
	– Alimentation tension manque	– Vérifier s'il y a une rupture de lignes et la réparer si besoin est
	– Tension de service trop basse ou résistance de charge trop haute	– Vérifier et adapter si nécessaire
Signal courant supérieur à 22 mA ou inférieur à 3,6 mA	– Préamplificateur du capteur défectueux	– Remplacer l'appareil ou le retourner au service réparation

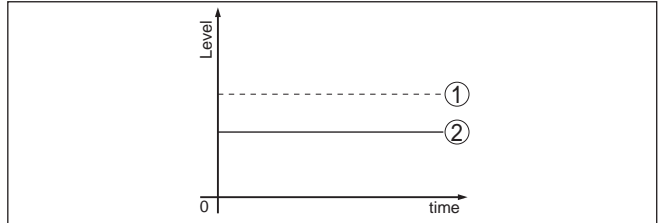
Traitement des erreurs de mesure lors des applications dans des liquides

Les tableaux ci-dessous donnent des exemples typiques d'erreurs de mesure liées à l'application dans des liquides. Dans ce cas, on fait la différence entre les erreurs de mesure :

- Lors d'un niveau constant

- Lors du remplissage
- Lors de la vidange

Les images dans la colonne "Image d'erreur" montrent le niveau réel sous forme d'une ligne en pointillés et le niveau indiqué par le capteur sous forme d'une ligne continue.



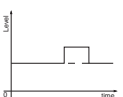
- 1 Niveau réel
- 2 Niveau indiqué par le capteur

Remarques :

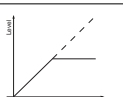
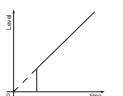

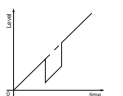
- Dans le cas où le capteur affiche une valeur constante, la cause pourrait également être le réglage de défaut de la sortie de courant "Tenir la valeur"
- En cas d'un affichage du niveau trop faible, une résistance de ligne trop élevée pourrait aussi être la cause.

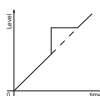
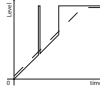
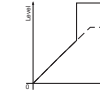
Erreurs de mesure en cas d'un niveau constant

Description de l'erreur	Image d'erreur	Cause	Suppression
1. La valeur de mesure indique un niveau trop bas ou trop élevé		<ul style="list-style-type: none"> - Le réglage min./max. est incorrect - Courbe de linéarisation incorrecte - Montage dans un tube bypass ou tube guide d'ondes ce qui provoque une erreur de durée de fonctionnement (petite erreur de mesure près de 100 %/erreur importante près de 0 %) 	<ul style="list-style-type: none"> - Adapter le réglage min./max. - Adapter la courbe de linéarisation - Vérifier le paramètre d'application par rapport à la forme de la cuve ; l'adapter, si nécessaire (bypass, tube guide d'ondes, diamètre)
2. La valeur de mesure fait un bond sur 0 %		<ul style="list-style-type: none"> - L'écho multiple (couvercle de la cuve, surface du produit) avec amplitude dépasse l'écho de niveau 	<ul style="list-style-type: none"> - Vérifier l'application, adapter, le cas échéant, spécialement les couvercles de cuve, le type de produit, le fond bombé, la constante diélectrique élevée

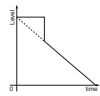
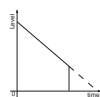
Description de l'erreur	Image d'erreur	Cause	Suppression
5. La valeur de mesure fait un bond sur 100 %		<ul style="list-style-type: none"> - L'amplitude de l'écho niveau diminue selon le process - L'élimination des signaux parasites n'a pas été effectuée 	<ul style="list-style-type: none"> - Effectuer une élimination des signaux parasites
		<ul style="list-style-type: none"> - L'amplitude ou le lieu d'un écho parasite a changé (par ex. formation de condensat, dépôts de produit) ; l'élimination des signaux parasites n'est plus adaptée 	<ul style="list-style-type: none"> - Déterminer la cause des signaux parasites modifiés, effectuer une élimination des signaux parasites en utilisant, par exemple, du condensat

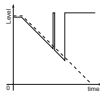
Erreurs de mesure lors du remplissage

Description de l'erreur	Image d'erreur	Cause	Suppression
4. La valeur de mesure reste inchangée lors du remplissage		<ul style="list-style-type: none"> - Échos parasites trop forts dans la zone proche ou écho niveau trop faible - Forte formation de mousse ou de trombe - Le réglage max. est incorrect 	<ul style="list-style-type: none"> - Éliminer les signaux parasites dans la zone proche - Vérifier la situation de mesure : l'antenne doit sortir du manchon, installations - Éliminer salissures sur l'antenne - En cas d'anomalies provenant d'installations dans la zone proche : changer le sens de polarisation - Créer une nouvelle élimination des signaux parasites - Adapter le réglage max.
5. La valeur de mesure reste inchangée au fond de la cuve lors du remplissage		<ul style="list-style-type: none"> - Écho du fond de la cuve plus grand que l'écho du niveau, par ex. pour les produits avec $\epsilon_r < 2,5$ à base d'huile, solvants 	<ul style="list-style-type: none"> - Vérifier le paramètre concernant le produit, la hauteur de la cuve et la forme du fond ; l'adapter, si nécessaire
6. La valeur de mesure reste temporairement inchangée lors du remplissage et fait un bond sur le niveau correct		<ul style="list-style-type: none"> - Turbulences au niveau de la surface du produit, remplissage rapide 	<ul style="list-style-type: none"> - Vérifier le paramètre et l'adapter, si nécessaire, par ex. dans cuve de dosage, réacteur
7. La valeur de mesure fait un bond sur 0 % lors du remplissage		<ul style="list-style-type: none"> - L'amplitude d'un écho multiple (couvercle de la cuve - surface du produit) dépasse l'écho du niveau 	<ul style="list-style-type: none"> - Vérifier l'application, adapter, le cas échéant, spécialement les couvercles de cuve, le type de produit, le fond bombé, la constante diélectrique élevée
		<ul style="list-style-type: none"> - Au niveau d'un écho parasite, l'écho du niveau ne peut pas être distingué de l'écho parasite (fait un bond sur écho multiple) 	<ul style="list-style-type: none"> - En cas d'anomalies provenant d'installations dans la zone proche : changer le sens de polarisation - Choisir une position de montage favorable

Description de l'erreur	Image d'erreur	Cause	Suppression
11. La valeur de mesure fait un bond sur 100 % du remplissage		<ul style="list-style-type: none"> - De fortes turbulences et une forte formation de mousse lors du remplissage font diminuer l'amplitude de l'écho niveau. La valeur de mesure fait un bond sur l'écho parasite. 	<ul style="list-style-type: none"> - Effectuer une élimination des signaux parasites
9. La valeur de mesure fait un bond sporadique sur 100 % lors du remplissage		<ul style="list-style-type: none"> - Condensat ou salissures changeant(es) sur l'antenne 	<ul style="list-style-type: none"> - Effectuer une élimination des signaux parasites ou modifier et augmenter l'élimination des signaux parasites avec du condensat/des salissures dans la zone proche
10. La valeur de mesure fait un bond sur 100 % ou 0 m de distance		<ul style="list-style-type: none"> - L'écho du niveau dans la zone proche n'est plus détecté en raison de la formation de mousse ou de signaux parasites dans la zone proche. Le capteur passe à l'état de sécurité antidébordement. Le système émet le niveau max. (0 m de distance) et la signalisation d'état " Sécurité antidébordement ". 	<ul style="list-style-type: none"> - Vérifier la voie de mesure : l'antenne doit sortir du manchon - Éliminer salissures sur l'antenne - Utiliser un capteur avec une antenne mieux adaptée

Erreurs de mesure lors de la vidange

Description de l'erreur	Image d'erreur	Cause	Suppression
11. La valeur de mesure reste inchangée lors de la vidange dans la zone proche		<ul style="list-style-type: none"> - L'écho parasite dépasse l'écho du niveau - L'écho du niveau est trop faible 	<ul style="list-style-type: none"> - Éliminer tout signal parasite dans la zone proche. Vérifier si l'antenne sort du manchon. - Éliminer salissures sur l'antenne - En cas d'anomalies provenant d'installations dans la zone proche : changer le sens de polarisation - Après avoir éliminé l'écho parasite, l'élimination des signaux parasites doit être effacée. Procéder à une nouvelle élimination des signaux parasites.
12. La valeur de mesure fait un bond sur 0 % lors de la vidange		<ul style="list-style-type: none"> - Écho du fond de la cuve plus grand que l'écho du niveau, par ex. pour les produits avec $\epsilon_r < 2,5$ à base d'huile, solvants 	<ul style="list-style-type: none"> - Vérifier le paramètre concernant le type de produit, la hauteur de la cuve et la forme du fond ; l'adapter, si nécessaire

Description de l'erreur	Image d'erreur	Cause	Suppression
La valeur de mesure fait un bond soudain sur 100 % lors de la vidange		– Condensat ou salissures changeant(es) sur l'antenne	– Effectuer une élimination des signaux parasites ou modifier et augmenter l'élimination des signaux parasites dans la zone proche – Utiliser un capteur radar avec nettoyage par purge d'air pour les solides en vrac

Comportement après élimination des défauts

Suivant la cause du défaut et les mesures prises pour l'éliminer, il faudra le cas échéant recommencer les étapes décrites au chapitre "Mise en service" ou vérifier leur plausibilité et l'intégralité.

9.5 Remplacement du préamplificateur

En cas de défaut, le préamplificateur peut être remplacé par l'utilisateur.



Les applications Ex nécessitent l'utilisation d'un appareil et d'un préamplificateur avec agrément Ex adéquat.

Si vous ne disposez pas de préamplificateur sur le site, vous pouvez le commander à l'agence respective.

9.6 Marche à suivre en cas de réparation

Si une réparation venait à s'imposer, veuillez contacter votre agence compétente.

10 Démontage

10.1 Étapes de démontage



Attention !

Avant de démonter l'appareil, prenez garde aux conditions de process dangereuses telles que pression dans la cuve ou la tuyauterie, hautes températures, produits agressifs ou toxiques, etc.

Suivez les indications des chapitres "*Montage*" et "*Raccordement à l'alimentation en tension*" et procédez de la même manière mais en sens inverse.

10.2 Recyclage

L'appareil se compose de matériaux recyclables par des entreprises spécialisées. À cet effet, l'électronique a été conçue pour être facilement détachable et les matériaux utilisés sont recyclables.

Une récupération professionnelle évite les effets négatifs sur l'homme et son environnement tout en préservant la valeur des matières premières par un recyclage adéquat.

Matériaux : voir au chapitre "*Caractéristiques techniques*"

Au cas où vous n'auriez pas la possibilité de faire recycler le vieil appareil par une entreprise spécialisée, contactez-nous. Nous vous conseillerons sur les possibilités de reprise et de recyclage.

Directive DEEE 2002/96/CE

Le présent appareil n'est pas soumis à la directive DEEE 2002/96/CE et aux lois nationales respectives. Apportez l'appareil directement à une entreprise de recyclage spécialisée et n'utilisez pas les points de récupération communaux. Ceux-ci sont destinés uniquement à des produits à usage privé conformément à la réglementation DEEE.

11 Annexe

11.1 Caractéristiques techniques

Caractéristiques générales

316L correspond à 1.4404 ou 1.4435

Matériaux en contact avec le produit avec système d'antenne encapsulé

Raccord process	PVDF, 316L
Joint process	FKM (IDG FKM 13-75)
Antenne	PVDF

Matériaux en contact avec le produit avec antenne conique en plastique

Bride d'adaptation	PP-GF30 schwarz
Joint de la bride d'adaptation	FKM (COG VI500), EPDM (COG AP310)
Antenne	PBT-GF 30
Lentille de focalisation	PP

Matériaux, sans contact avec le produit

Bride tournante	PP-GF30 schwarz
Étrier de montage	316L
Vis de fixation de l'étrier de montage	316L
Vis de fixation de la bride d'adaptation	304
Boîtier	plastique PBT (Polyester), 316L
Joint entre boîtier et couvercle du boîtier	Silicone
Hublot sur le couvercle du boîtier (en option)	Polycarbonate
Borne de mise à la terre	316L
Raccords process	
Filetage pas du gaz, cylindrique (ISO 228 T1)	G1½
Filetage pas du gaz américain, conique	1½ NPT

- Brides	DIN à partir de DN 80, ASME à partir de 3", JIS à partir de DN 100 10K
- Raccords hygiéniques	Clamp, raccord union selon DIN 11851, Tuchenhausen Varivent

Poids, selon le raccord process et le matériau du boîtier 0,7 ... 3,4 kg (1.543 ... 7.496 lbs)

Couple de serrage max. vis de montage équerre de fixation au boîtier du capteur 4 Nm

Couple de serrage max. boulons de la bride

- Bride tournante DN 80	5 Nm (3.689 lbf ft)
- Bride d'adaptation DN 100	7 Nm (5.163 lbf ft)

Couple de serrage max. pour presse-étoupes NPT et conduits

- Boîtier en matière plastique	10 Nm (7.376 lbf ft)
--------------------------------	----------------------

- Boîtier en aluminium/acier inox

50 Nm (36.88 lbf ft)

Grandeur d'entrée

Grandeur de mesure

La grandeur de mesure est la distance entre le raccord process du capteur et la surface du produit. Le niveau de référence est la face de joint du six pans ou la face inférieure de la bride.

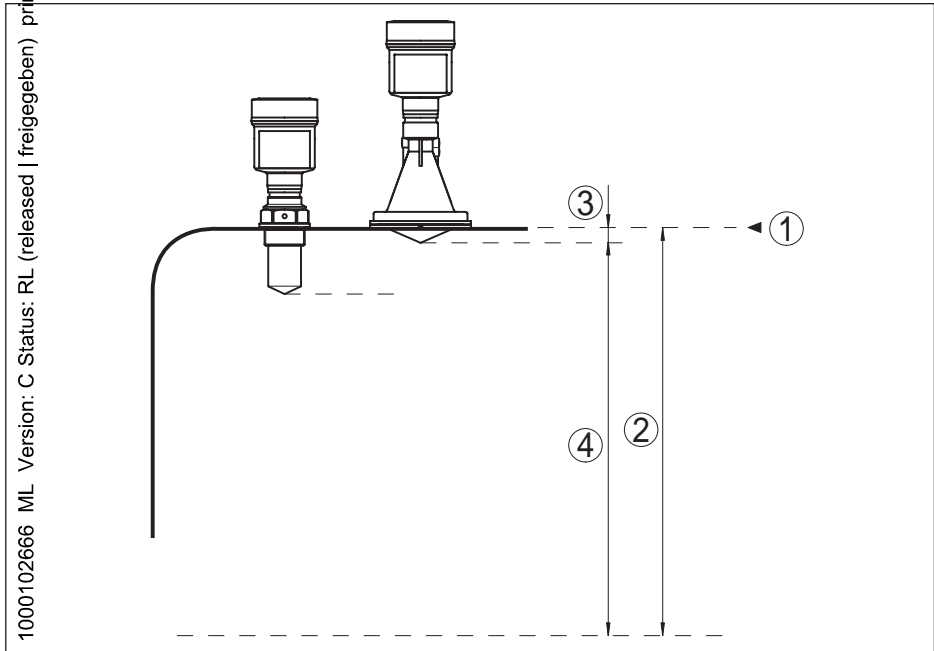


Fig. 42: Données relatives à la grandeur d'entrée

- 1 Niveau de référence
- 2 Grandeur de mesure, plage de mesure maxi.
- 3 Longueur de l'antenne
- 4 Plage de mesure utile

Électronique standard

Plage de mesure maxi. 35 m (114.8 ft)

Plage de mesure recommandée

- Système d'antennes encapsulé jusqu'à 10 m (32.81 ft)
- antenne cône en plastique jusqu'à 20 m (65.62 ft)

Électronique avec sensibilité augmentée

Plage de mesure maxi. 35 m (114.8 ft)

Plage de mesure recommandée

- Système d'antennes encapsulé jusqu'à 10 m (32.81 ft)
- antenne cône en plastique jusqu'à 20 m (65.62 ft)

1000102666 ML Version: C Status: RL (released | freigegeben) printed: 22.09.2017

Grandeur de sortie

Signal de sortie	4 ... 20 mA/HART
Plage du signal de sortie	3,8 ... 20,5 mA/HART (réglage d'usine)
Résolution du signal	0,3 μ A
Résolution de mesure numérique	< 1 mm (0.039 in)
Signal défaut sortie courant (réglable)	valeur mA inchangée, 20,5 mA, 22 mA, < 3,6 mA
Courant de sortie max.	22 mA
Courant de démarrage	\leq 3,6 mA ; \leq 10 mA pendant 5 ms après la mise en tension
Charge ohmique	Voir diagramme des charges sous alimentation
Atténuation (63 % de la grandeur d'entrée), réglable	0 ... 999 s
Valeurs de sortie HART selon HART 7.0 ¹⁾	
PV (Primary Value)	Pour cent lin.
SV (Secondary Value)	Distance
TV (Third Value)	Fiabilité de mesure
QV (Fourth Value)	Température de l'électronique
Spécification HART remplie	7.0
Pour d'autres informations concernant l'URL du fabricant, appareils et les révisions d'appareils	voir le site web de HART Communication Foundation

Précision de mesure (selon DIN EN 60770-1)

Conditions de référence du process selon DIN EN 61298-1	
Température	+18 ... +30 °C (+64 ... +86 °F)
Humidité relative de l'air	45 ... 75 %
Pression d'air	860 ... 1060 mbar/86 ... 106 kPa (12.5 ... 15.4 psig)
Conditions de référence pour le montage	
Écart minimum entre sonde et obstacles fixes	> 200 mm (7.874 in)
– Réflecteur	Réfléchisseur de plaques plat
– Réflexions parasites	signal parasite le plus fort 20 dB plus faible que le signal utile
Écart de mesure pour liquides	Voir diagrammes suivants

¹⁾ Valeurs par défaut, peuvent être affectées librement

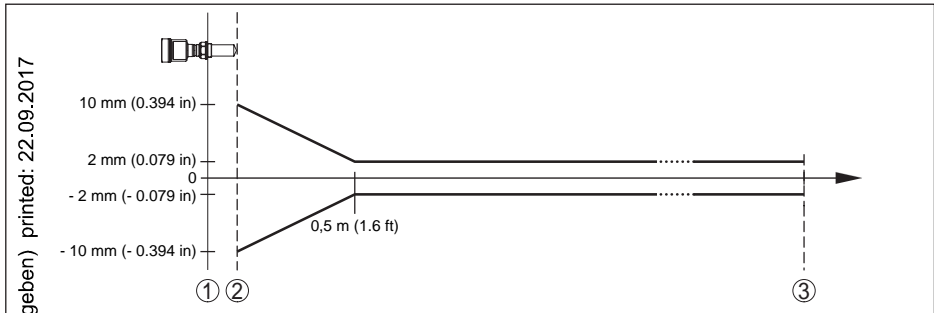


Fig. 43: Écart de mesure sous conditions de référence - système d'antenne encapsulé

- 1 Niveau de référence
- 2 Bord de l'antenne
- 3 Plage de mesure recommandée

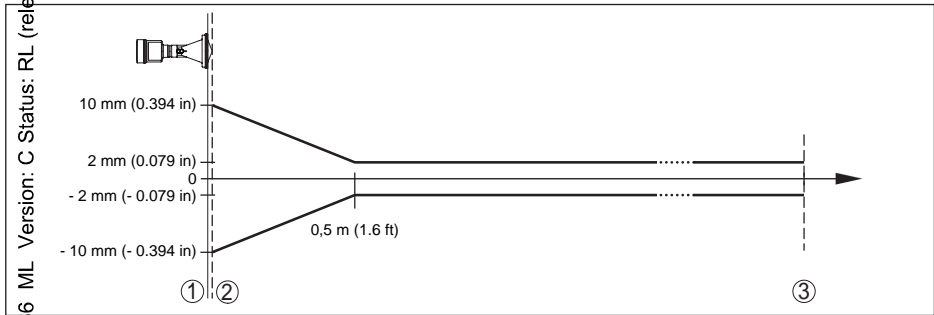


Fig. 44: Écart de mesure sous conditions de référence - antenne cône en plastique

- 1 Niveau de référence
- 2 Bord de l'antenne
- 3 Plage de mesure recommandée

Reproductibilité

≤ ±1 mm

Écart de mesure pour solides en vrac/
pulvérulents

Les valeurs dépendent fortement de l'application. C'est pourquoi il est impossible de donner des indications contraignantes.

Grandeurs d'influence sur la précision de mesure

Indications valables pour la valeur de mesure numérique

Dérive en température - Sortie numérique ±3 mm/10 K, max. 10 mm

Écart de mesure supplémentaire en raison de perturbations électromagnétiques dans le cadre de la norme EN 61326 < ±50 mm

Les indications sont valables en plus pour la sortie courant

Dérive en température - sortie courant ±0,03 %/10 K rapporté à la plage de 16 mA ou ±0,3 % max.

41783-FR-141218

Écart sur la sortie courant par la conversion analogique-numérique < $\pm 15 \mu\text{A}$

Écart sur la sortie courant par de forts champs magnétiques à haute fréquence dans le cadre de la norme EN 61326 < $\pm 150 \mu\text{A}$

Caractéristiques de mesure et données de puissance

Fréquence de mesure bande K (technologie 26 GHz)

Durée du cycle de mesure

Électronique standard env. 450 ms

Électronique avec sensibilité augmentée env. 700 ms

Temps de réponse impulsionnelle²⁾ $\leq 3 \text{ s}$

Angle d'émission³⁾

Système d'antennes encapsulé 22°

Antenne cône en plastique 10°

Puissance HF rayonnée (dépend du paramétrage)⁴⁾

Densité de la puissance d'émission spectrale moyenne -14 dBm/MHz EIRP

Densité de la puissance d'émission spectrale maximale +43 dBm/50 MHz EIRP

Densité de la puissance max. à 1 m de distance < $1 \mu\text{W}/\text{cm}^2$

Conditions ambiantes

Température ambiante, de transport et de stockage -40 ... +80 °C (-40 ... +176 °F)

Conditions de process

Pour les conditions de process, respectez en plus les indications de la plaque signalétique. La valeur valable est celle étant la plus basse.

Pression de la cuve

– Système d'antennes encapsulé -1 ... 3 bar (-100 ... 300 kPa/-14.5 ... 43.5 psi)

– antenne cône en plastique -1 ... 2 bar (-100 ... 200 kPa/-14.5 ... 29.0 psig)

– Version avec bride d'adaptation à partir de DN 100 PP ou PP-GF 30 -1 ... 1 bar (-100 ... 100 kPa/-14.5 ... 14,5 psig)

Température du process (mesurée au raccord process) -40 ... +80 °C (-40 ... +176 °F)

²⁾ Temps qui s'écoule, après une variation brusque de la distance de mesure de 0,5 m au max. pour des applications dans le domaine des liquides, jusqu'à ce que le signal de sortie atteigne pour la première fois 90 % de sa valeur en régime permanent (IEC 61298-2).

³⁾ En dehors de l'angle du rayonnement indiqué, l'énergie du signal radar a un niveau qui est réduit de 50 % (-3 dB).

⁴⁾ EIRP : Équivalent Isotropic Radiated Power

Tenue aux vibrations

Avec bride d'adaptation	2 g à 5 ... 200 Hz selon EN 60068-2-6 (vibration avec résonance)
Avec étrier de montage	1 g à 5 ... 200 Hz selon EN 60068-2-6 (vibration avec résonance)
Tenue aux chocs	100 g, 6 ms selon EN 60068-2-27 (choc mécanique)

Caractéristiques électromécaniques - version IP 66/IP 67 et IP 66/IP 68 ; 0,2 bars

Pressé-étoupe	M20 x 1,5 ou ½ NPT
Sélection des conducteurs (bornes auto-serrantes)	
— Ame massive/torsadée	0,2 ... 2,5 mm ² (AWG 24 ... 14)
— Ame torsadée avec embout	0,2 ... 1,5 mm ² (AWG 24 ... 16)

Module de réglage et d'affichage

Élément d'affichage	Affichage avec rétroéclairage
Affichage des valeurs de mesure	
— Nombre de chiffres	5
— Taille des chiffres	L x H = 7 x 13 mm
Éléments de réglage	4 touches
Type de protection	
— Non installé	IP 20
— Installé dans le boîtier sans couvercle	IP 40

Matériaux

Boîtier	ABS
Hublot	Feuille de polyester

Horloge intégrée

Format de la date	jour.mois.année
Format de l'heure	12 h/24 h
Fusion horaire réglé en usine	CET
Écart max. de la déviation de précision de marche	10,5 min/an

Mesure température de l'électronique

Résolution	0,1 °C (1.8 °F)
Précision	±1 °C (1.8 °F)
Plage de température admissible	-40 ... +85 °C (-40 ... +185 °F)

Tension d'alimentation

Tension de service U _B	
— Appareil non Ex	9,6 ... 36 V DC
— Appareil Ex-ia	9,6 ... 30 V DC

Tension de service U_B - module de réglage et d'affichage rétroéclairé

Appareil non Ex	16 ... 36 V DC
Appareil Ex-ia	16 ... 30 V DC
Protection contre l'inversion de polarité	Intégré
Modulation résiduelle admissible - appareil non Ex, appareil Ex ia	
pour $9,6 \text{ V} < U_B < 14 \text{ V}$	$\leq 0,7 V_{\text{eff}}$ (16 ... 400 Hz)
pour $18 \text{ V} < U_B < 36 \text{ V}$	$\leq 1,0 V_{\text{eff}}$ (16 ... 400 Hz)

Résistance de charge

Calcul	$(U_B - U_{\text{min}})/0,022 \text{ A}$
Exemple - Appareil non-Ex pour $U_B = 24 \text{ V DC}$	$(24 \text{ V} - 9,6 \text{ V})/0,022 \text{ A} = 655 \Omega$

Mesures de protection électrique

Type de protection	IP 66/IP 67 (NEMA 4X)
Catégorie de surtensions	III ⁵⁾
Classe de protection	III ⁶⁾

Agréments

Les appareils avec agréments peuvent avoir des caractéristiques techniques différentes selon la version. Il est donc indispensable de consulter et de respecter les documents d'agrément respectif de ces appareils.

1.2 Dimensions

Boîtier en matière plastique

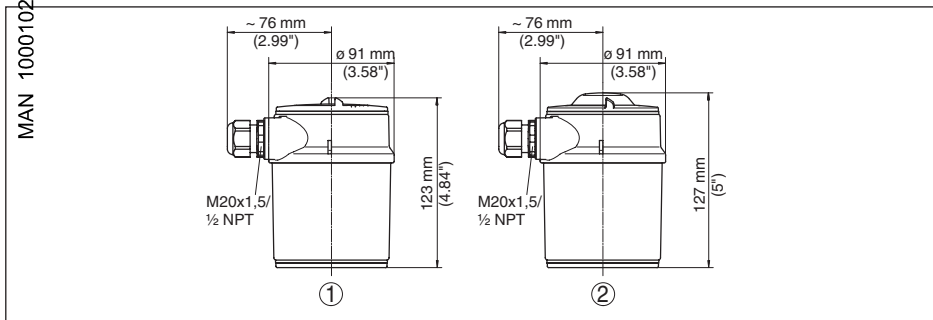


Fig. 45: Variantes de boîtier en protection IP 66/IP 68 (0,2 bar) - avec un module de réglage et d'affichage intégré, la hauteur du boîtier augmente de 9 mm/0.35 in

- 1 Boîtier sans module de réglage et d'affichage
- 2 Boîtier avec couvercle transparent pour module de réglage et d'affichage

⁵⁾ IEC 61010-1

⁶⁾ IEC 61010-1

LEVEL TRANSMITTER 8136, version fileté

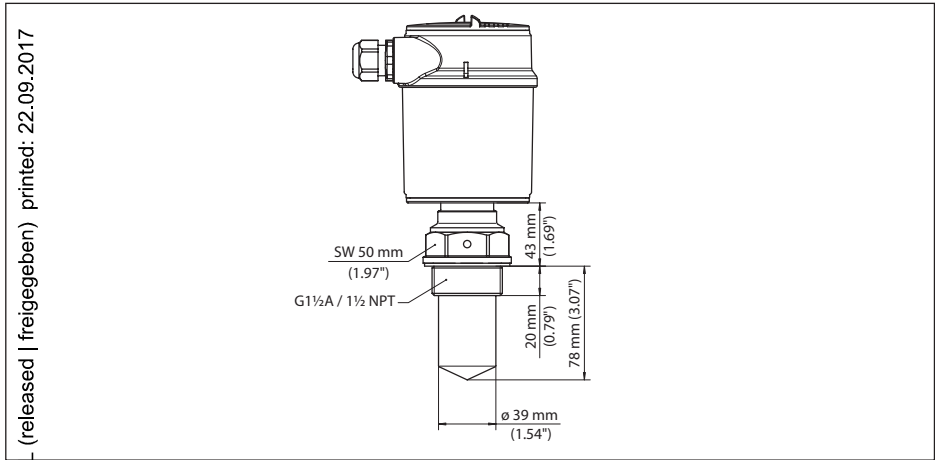


Fig. 46: LEVEL TRANSMITTER 8136, version fileté G1 1/2 et 1 1/2 NPT

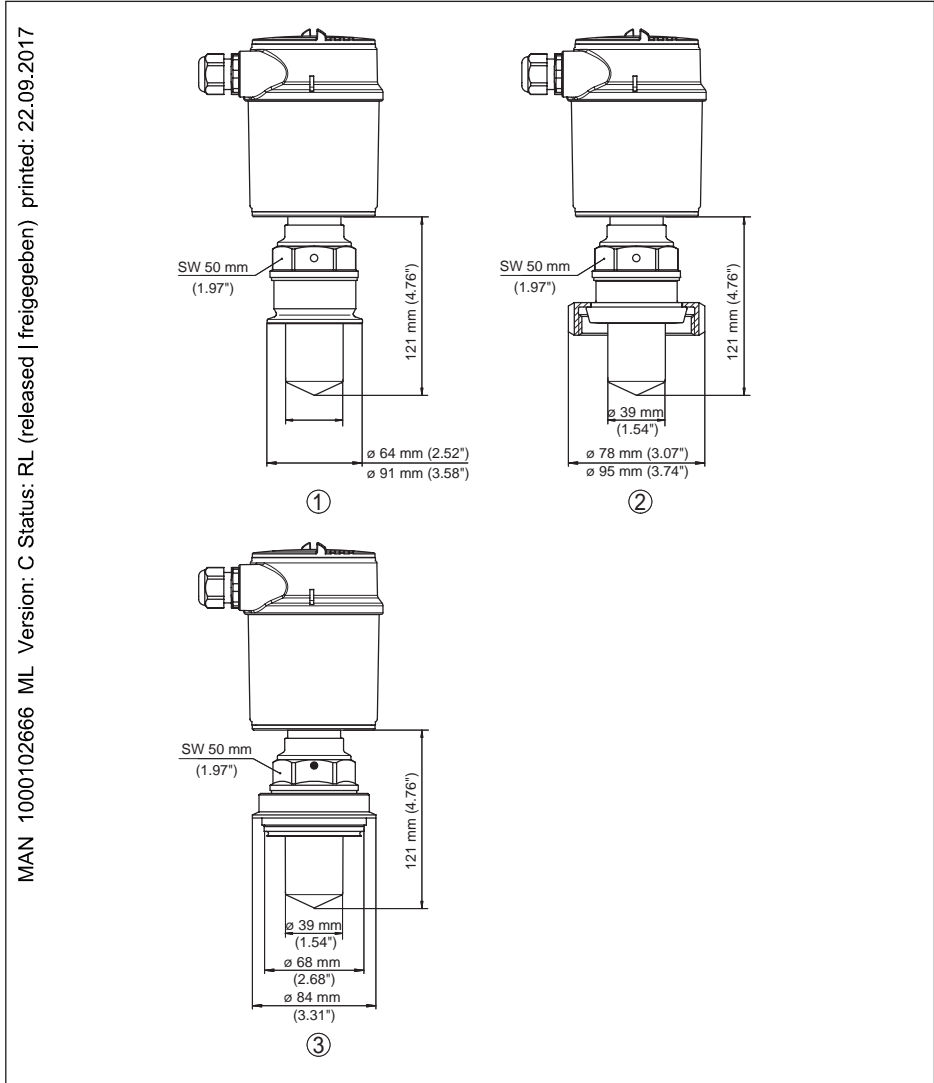
LEVEL TRANSMITTER 8136, raccord aseptique


Fig. 47: LEVEL TRANSMITTER 8136, raccord aseptique

- 1 Clamp 2" (ø64 mm) et 3" (ø91 mm) PN 16 DIN 32676, ISO 2852/316L
- 2 Raccord union selon DIN 11851 DN 50 et DN 80
- 3 Tuchenhagen Varivent DN 32

LEVEL TRANSMITTER 8136, version avec étrier de montage

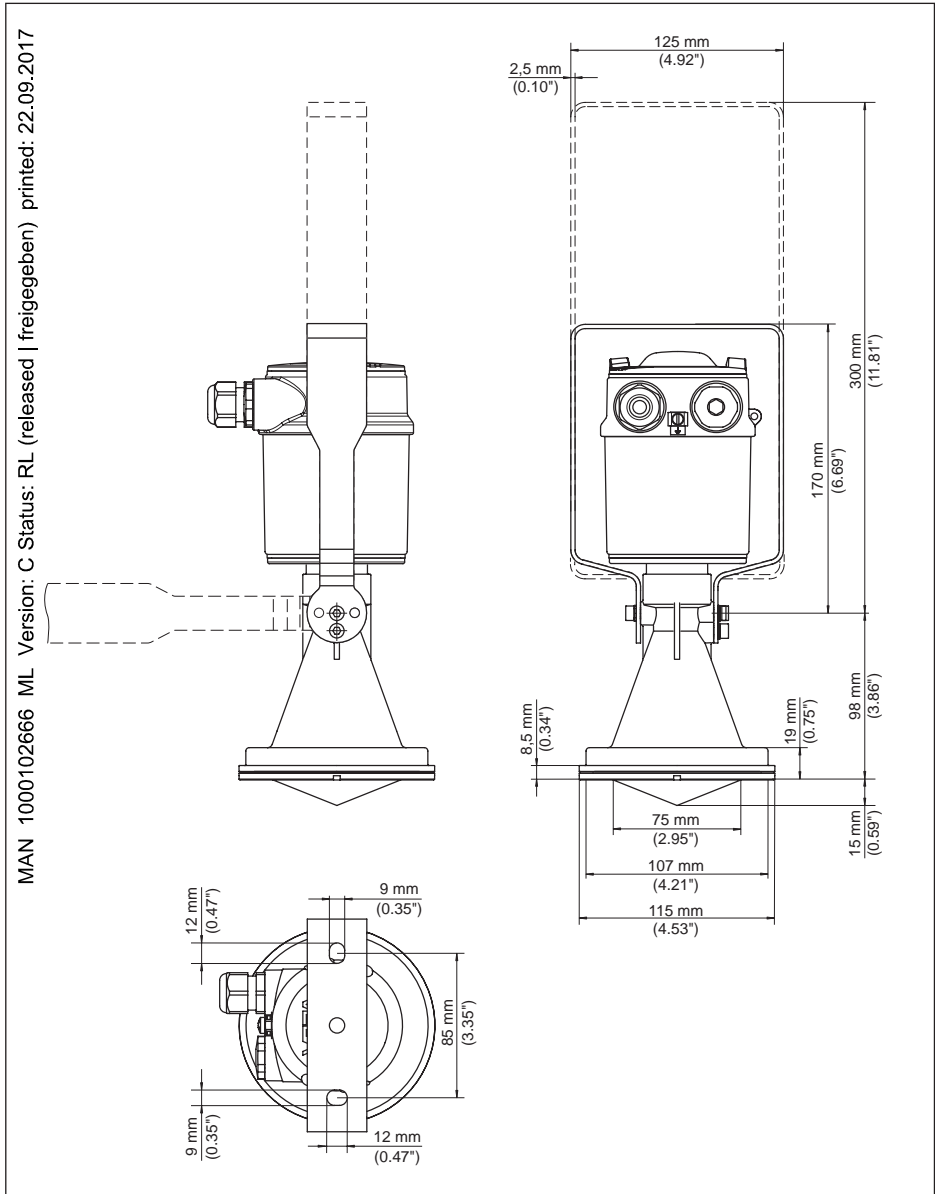


Fig. 48: LEVEL TRANSMITTER 8136, étrier de montage en longueur de 170 ou 300 mm

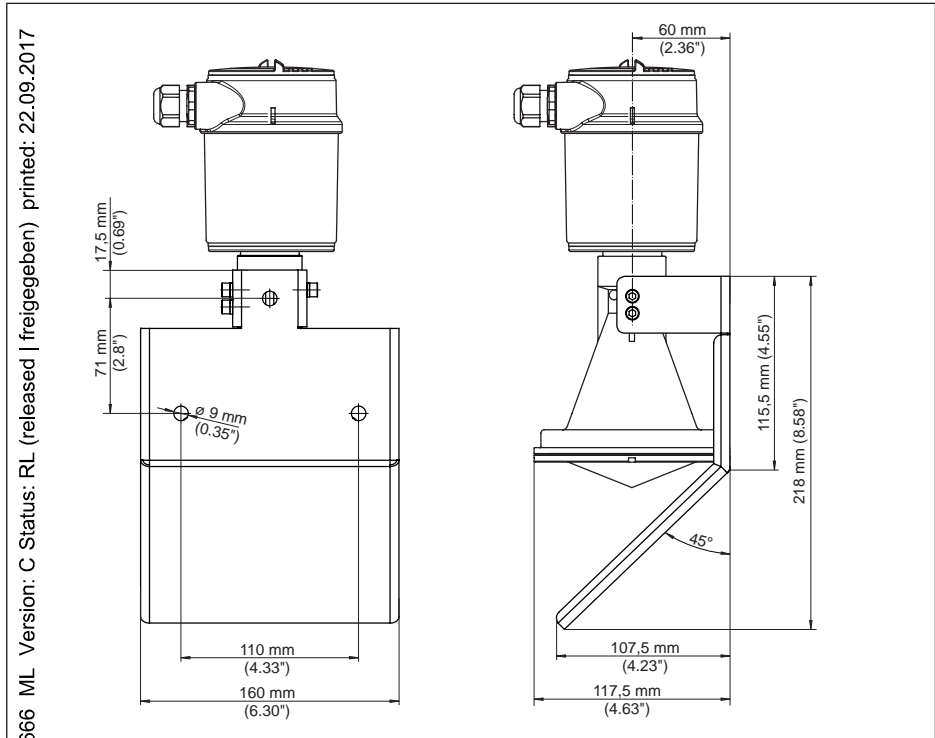
LEVEL TRANSMITTER 8136, version avec étrier de montage et réflecteur


Fig. 49: LEVEL TRANSMITTER 8136, étrier de montage et réflecteur

LEVEL TRANSMITTER 8136, version avec bride tournante

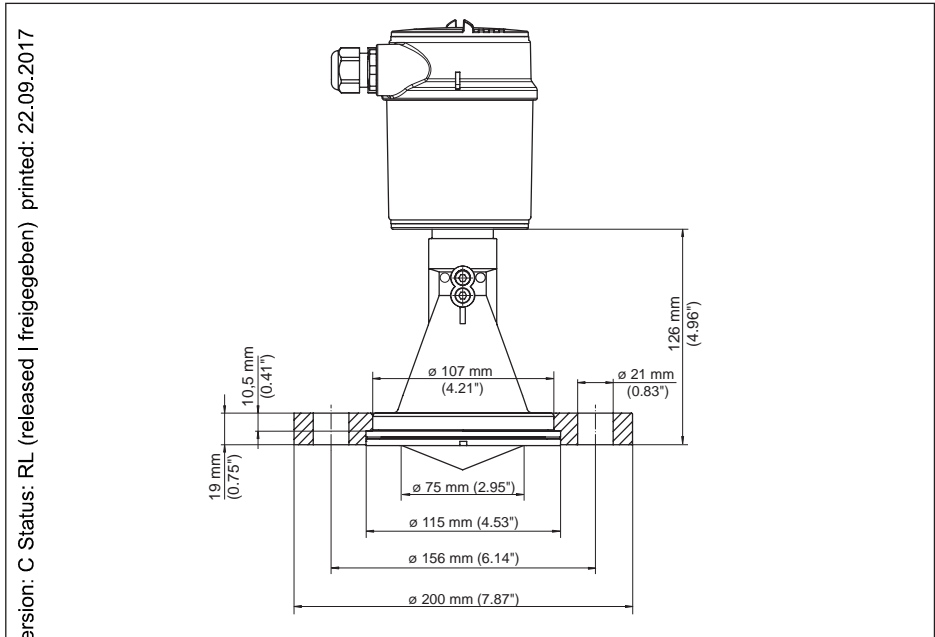


Fig. 50: LEVEL TRANSMITTER 8136, bride tournante appropriée au DN 80 PN 16/ASME 3" 150lbs/JIS80 10K

MAN 1000102666 MLG

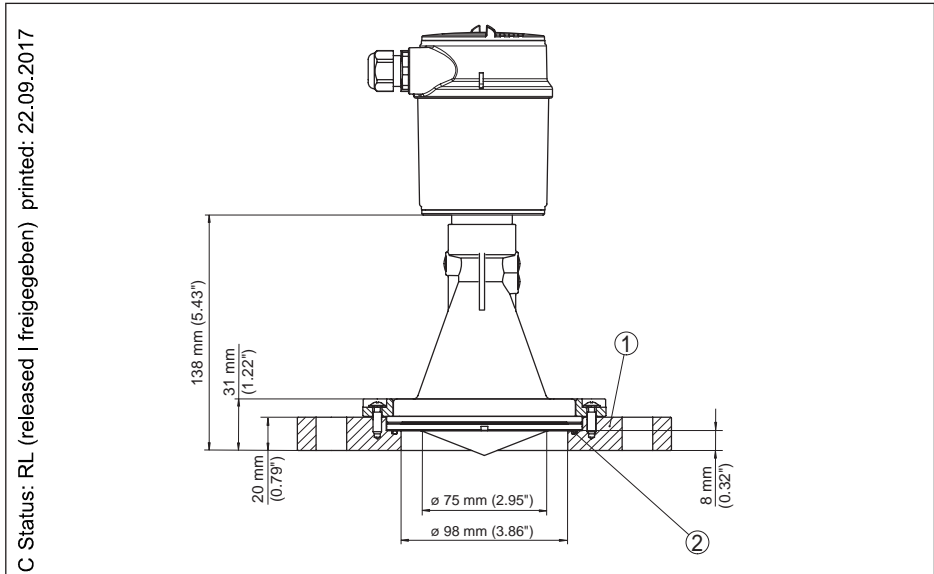
LEVEL TRANSMITTER 8136, version avec bride d'adaptation


Fig. 51: LEVEL TRANSMITTER 8136, bride d'adaptation

- 1 *Bride d'adaptation*
 2 *Joint d'étanchéité*

MAN 1000102666 ML

11.3 Marque déposée

Toutes les marques utilisées ainsi que les noms commerciaux et de sociétés sont la propriété de leurs propriétaires/auteurs légitimes.

MAN 1000102666 ML Version: C Status: RL (released | freigegeben) printed: 22.09.2017

INDEX

A

- Accessoires
 - Module de réglage et d'affichage 9
- Affichage de la courbe
 - Courbe échos 41
 - Élimination des signaux parasites 41
- Amplificateurs 18
- Application
 - Liquide 32
 - Solide en vrac 36
 - Tube guide d'ondes 32

B

- Bondage 25, 26

C

- Codes de défaut 52
- Compartment électronique et de raccordement
 - boîtier à chambre unique 28
- Courbe de linéarisation 43
- Courbe échos de la mise en service 42
- Cuves encombrées 17

D

- DD (Device Description) 48

E

- EDD (Enhanced Device Description) 48
- Élimination des défauts 54
- Élimination des signaux parasites 42
- Erreur de mesure 54

F

- Fiabilité de mesure 41
- Flux de produit 14
- Formation de mousse 18
- Forme de la cuve 38

H

- Hauteur de la cuve 38

I

- Index suiveur 41

M

- Manchon 14, 16
- Mémoire des courbes échos 49
- Mémoire d'évènements 49
- Mémoires de valeurs de mesure 49
- Menu principal 31

- Messages d'état - NAMUR NE 107 50
- Mesure dans tube bypass 21
- Mesure dans tube tranquillisateur 18
- Mesure de débit 23, 24
- Mise à la terre 25, 26

N

- NAMUR NE 107 51, 53

O

- Orientation du capteur 17

P

- Pièces de rechange
 - Préamplificateur 9
- Plaque signalétique 7
- Polarisation 12
- Position de montage 13
- Principe de fonctionnement 8
- Propriétés de réflexion 32

R

- Raccordement
 - Câble 25
 - Électrique 26
 - Étapes 26
 - Technique 26
- Réglage 40
- Réglage et configuration
 - Système 30
- Reset 44

S

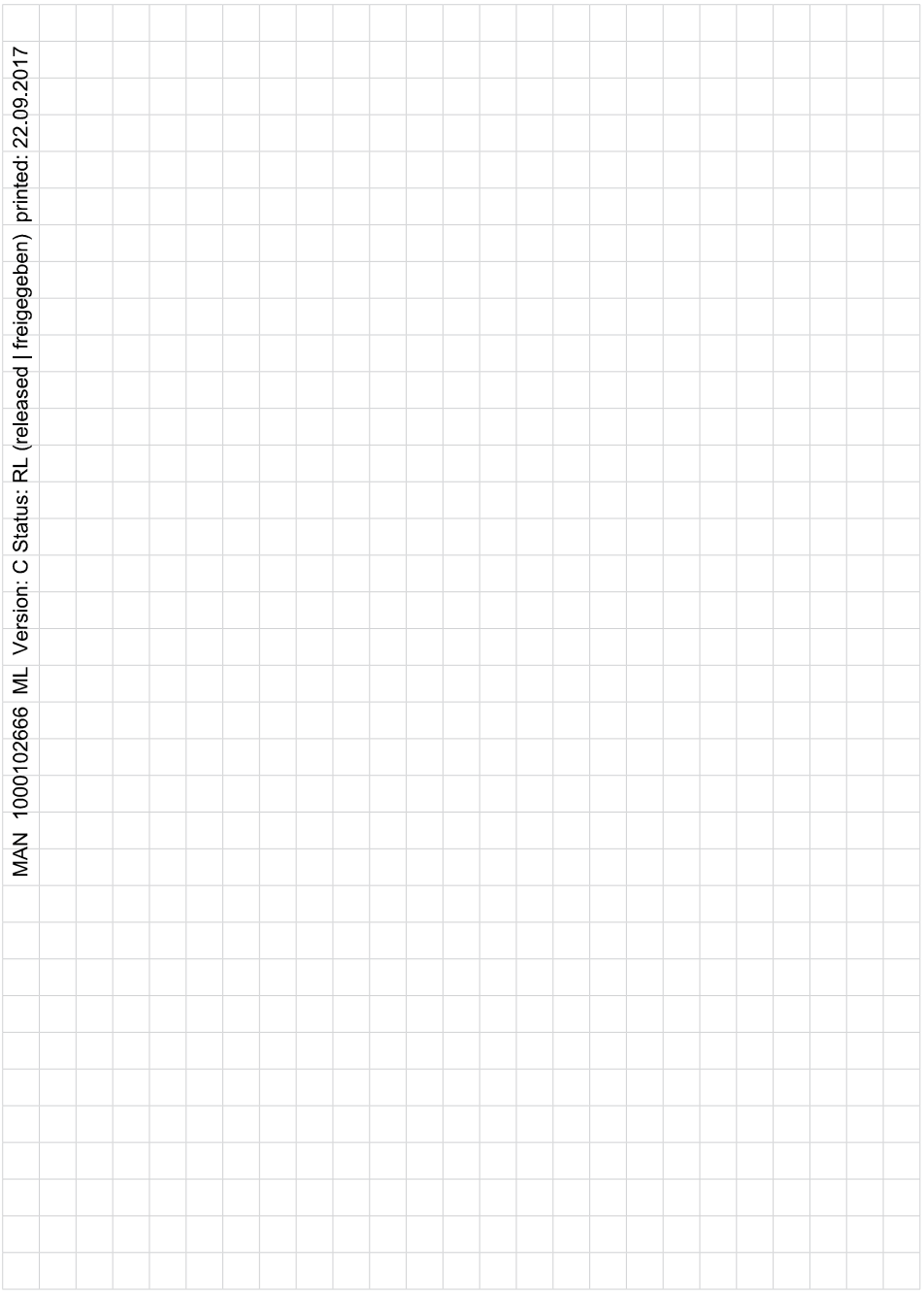
- Sécurité antidébordement selon WHG 44

V

- Valeurs par défaut 44
- Vérifier le signal de sortie 54

41783-FR-141218

MAN 1000102666 ML Version: C Status: RL (released | freigegeben) | printed: 22.09.2017



MAN 1000102666 ML Version: C Status: RL (released | freigegeben) printed: 22.09.2017

The smart choice
of Fluid Control Systems
www.burkert.com


FLUID CONTROL SYSTEMS

41783-FR-141218