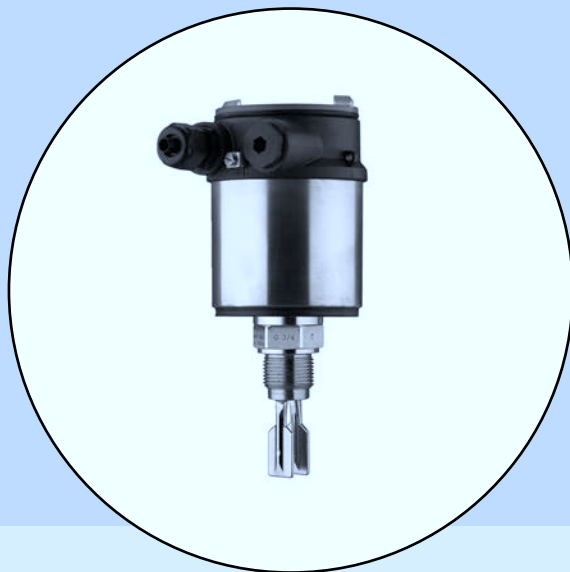


Operating Instructions



LEVEL SWITCH 8111

with NAMUR output

Contents

1	About this document	
1.1	Function	4
1.2	Target group	4
1.3	Symbolism used	4
2	For your safety	
2.1	Authorised personnel	5
2.2	Appropriate use	5
2.3	Warning about misuse	5
2.4	General safety instructions	5
2.5	Safety label on the instrument	6
2.6	CE conformity	6
2.7	SIL conformity	6
2.8	Safety instructions for Ex areas	6
3	Product description	
3.1	Structure	7
3.2	Principle of operation	8
3.3	Operation	8
3.4	Storage and transport	9
4	Mounting	
4.1	General instructions	10
4.2	Instructions for installation	13
5	Connecting to power supply	
5.1	Preparing the connection	16
5.2	Connection procedure	16
5.3	Wiring plan, single chamber housing	17
6	Set up	
6.1	General information	19
6.2	Adjustment elements	19
6.3	Function chart	20
7	Maintenance and fault rectification	
7.1	Maintenance	22
7.2	Remove interferences	22
7.3	Exchange of the electronics	23
8	Dismounting	
8.1	Dismounting steps	24
8.2	Disposal	24
9	Supplement	
9.1	Technical data	25
9.2	Dimensions	32

Supplementary documentation



Information:

Supplementary documents appropriate to the ordered version come with the delivery. You can find them listed in chapter "*Product description*".

Instructions manuals for accessories and replacement parts



Tip:

To ensure reliable setup and operation of your LEVEL SWITCH 8111, we offer accessories and replacement parts. The corresponding documentations are:

- Operating instructions manual "*Oscillator LEVEL SWITCH 8111/8112*"

Editing status: 2012-04-12

1 About this document

1.1 Function

This operating instructions manual provides all the information you need for mounting, connection and setup as well as important instructions for maintenance and fault rectification. Please read this information before putting the instrument into operation and keep this manual accessible in the immediate vicinity of the device.

1.2 Target group

This operating instructions manual is directed to trained qualified personnel. The contents of this manual should be made available to these personnel and put into practice by them.

1.3 Symbolism used



Information, tip, note

This symbol indicates helpful additional information.



Caution: If this warning is ignored, faults or malfunctions can result.

Warning: If this warning is ignored, injury to persons and/or serious damage to the instrument can result.

Danger: If this warning is ignored, serious injury to persons and/or destruction of the instrument can result.



Ex applications

This symbol indicates special instructions for Ex applications.



List

The dot set in front indicates a list with no implied sequence.



Action

This arrow indicates a single action.



Sequence

Numbers set in front indicate successive steps in a procedure.

2 For your safety

2.1 Authorised personnel

All operations described in this operating instructions manual must be carried out only by trained specialist personnel authorised by the plant operator.

During work on and with the device the required personal protective equipment must always be worn.

2.2 Appropriate use

The LEVEL SWITCH 8111 is a sensor for level detection.

You can find detailed information on the application range in chapter "*Product description*".

Operational reliability is ensured only if the instrument is properly used according to the specifications in the operating instructions manual as well as possible supplementary instructions.

For safety and warranty reasons, any invasive work on the device beyond that described in the operating instructions manual may be carried out only by personnel authorised by the manufacturer. Arbitrary conversions or modifications are explicitly forbidden.

2.3 Warning about misuse

Inappropriate or incorrect use of the instrument can give rise to application-specific hazards, e.g. vessel overfill or damage to system components through incorrect mounting or adjustment.

2.4 General safety instructions

This is a high-tech instrument requiring the strict observance of standard regulations and guidelines. The user must take note of the safety instructions in this operating instructions manual, the country-specific installation standards as well as all prevailing safety regulations and accident prevention rules.

The instrument must only be operated in a technically flawless and reliable condition. The operator is responsible for trouble-free operation of the instrument.

During the entire duration of use, the user is obliged to determine the compliance of the necessary occupational safety measures with the current valid rules and regulations and also take note of new regulations.

2.5 Safety label on the instrument

The safety approval markings and safety tips on the device must be observed.

2.6 CE conformity

This device fulfills the legal requirements of the applicable EC guidelines. By attaching the CE mark, we provide confirmation of successful testing.

2.7 SIL conformity

LEVEL SWITCH 8111 fulfills the requirements to functional safety according to IEC 61508 resp. IEC 61511. You find further information in the Safety Manual "*LEVEL SWITCH*".

2.8 Safety instructions for Ex areas

Please note the Ex-specific safety information for installation and operation in Ex areas. These safety instructions are part of the operating instructions manual and come with the Ex-approved instruments.

3 Product description

3.1 Structure

Scope of delivery

The scope of delivery encompasses:

- LEVEL SWITCH 8111 point level switch
- Documentation
 - this operating instructions manual
 - Safety Manual "*Functional safety according to IEC 61508 resp. IEC 61511 (SIL)*"
 - Ex-specific "*Safety instructions*" (with Ex versions)
 - if necessary, further certificates

Constituent parts

The LEVEL SWITCH 8111 consists of the components:

- Housing cover
- Housing with electronics
- Process fitting with tuning fork

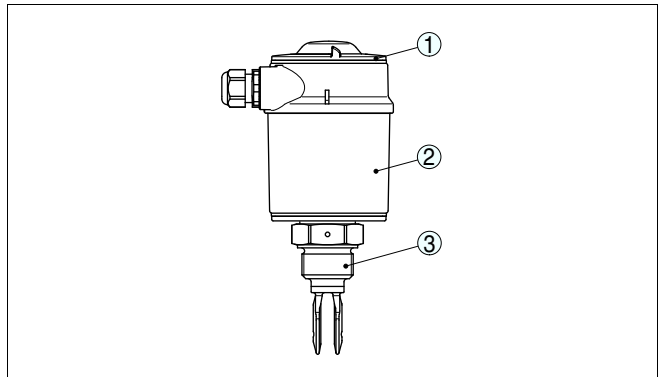


Fig. 1: LEVEL SWITCH 8111

- 1 Housing cover
- 2 Housing with electronics
- 3 Process fitting

Type label

The type label contains the most important data for identification and use of the instrument:

- Article number
- Serial number
- Technical data
- Article numbers, documentation

In addition to the type label outside on the instrument, you find the serial number also inside the instrument.

Application area

3.2 Principle of operation

LEVEL SWITCH 8111 is a point level sensor with tuning fork for level detection.

It is designed for industrial use in all areas of process technology and can be used in liquids.

Typical applications are overflow and dry run protection. With a tuning fork of only 40 mm length, LEVEL SWITCH 8111 can be also mounted e.g. in pipelines from DN 32. The small tuning fork allows use in vessels, tanks and pipes. Thanks to its simple and robust measuring system, LEVEL SWITCH 8111 is virtually unaffected by the chemical and physical properties of the liquid.

It functions even under difficult conditions such as turbulence, air bubbles, foam generation, buildup, strong external vibration or changing products.

Fault monitoring

The electronics module of LEVEL SWITCH 8111 continuously monitors via frequency evaluation the following criteria:

- Strong corrosion or damage on the tuning fork
- Loss of vibration
- Line break to the piezo drive

If one of these faults is detected or if the power supply fails, the electronics takes on a defined output status (safe condition).

Functional principle

The tuning fork is piezoelectrically energised and vibrates at its mechanical resonance frequency of approx. 1200 Hz. The piezos are fixed mechanically and are hence not subject to temperature shock limitations. The frequency changes when the tuning fork is covered by the medium. This change is detected by the integrated electronics module and converted into a switching command.

Voltage supply

LEVEL SWITCH 8111 is a compact instrument, i.e. it can be operated without external evaluation system. The integrated electronics evaluates the level signal and outputs a switching signal. With this switching signal, a connected device can be operated directly (e.g. a warning system, a pump etc.).

The data for power supply are specified in chapter "*Technical data*".

3.3 Operation

The switching condition of LEVEL SWITCH 8111 can be checked when the housing is closed (signal lamp). With the basic setting, products with a density $> 0.7 \text{ g/cm}^3$ (0.025 lbs/in^3) can be detected. The instrument can be adapted if products with lower density should be measured.

On the electronics module you will find the following indicating and adjustment elements:

MAN 1000098256 ML Version: C Status: RL (released | freigegeben) printed: 22.09.2017

- Signal lamp for indication of the switching condition (green/red)
- DIL switch for sensitivity adjustment
- Mode adjustment for selection of the switching condition (A/B)

Packaging

Your instrument was protected by packaging during transport. Its capacity to handle normal loads during transport is assured by a test according to DIN EN 24180.

The packaging of standard instruments consists of environment-friendly, recyclable cardboard. The sensor is also equipped with a protective cap of ABS. For special versions, PE foam or PE foil is also used. Dispose of the packaging material via specialised recycling companies.

Transport

Transport must be carried out under consideration of the notes on the transport packaging. Nonobservance of these instructions can cause damage to the device.

Transport inspection

The delivery must be checked for completeness and possible transit damage immediately at receipt. Ascertained transit damage or concealed defects must be appropriately dealt with.

Storage

Up to the time of installation, the packages must be left closed and stored according to the orientation and storage markings on the outside.

Unless otherwise indicated, the packages must be stored only under the following conditions:

- Not in the open
- Dry and dust free
- Not exposed to corrosive media
- Protected against solar radiation
- Avoiding mechanical shock and vibration

Storage and transport temperature

- Storage and transport temperature see chapter "*Supplement - Technical data - Ambient conditions*"
- Relative humidity 20 ... 85 %

4 Mounting

4.1 General instructions

Suitability for the process conditions

Make sure that all parts of the instrument exposed to the process, in particular the sensor element, process seal and process fitting, are suitable for the existing process conditions. These include above all the process pressure, process temperature as well as the chemical properties of the medium.

You can find the specifications in chapter "*Technical data*" and on the type label.

Switching point

In general, LEVEL SWITCH 8111 can be installed in any position. The instrument only has to be mounted in such a way that the tuning fork is at the height of the desired switching point.

The tuning fork has lateral markings (notches) that indicate the switching point with vertical mounting. The switching point refers to water with the basic setting of the sensitivity switch $\geq 0.7 \text{ g/cm}^3$ (0.025 lbs/in^3). When mounting LEVEL SWITCH 8111, make sure that this marking is at the height of the requested switching point. Keep in mind that the switching point of the instrument is shifted if the medium has a density other than water - water 1 g/cm^3 (0.036 lbs/in^3). For products $< 0.7 \text{ g/cm}^3$ (0.025 lbs/in^3) and $> 0.5 \text{ g/cm}^3$ (0.018 lbs/in^3) the density switch must be set to $\geq 0.5 \text{ g/cm}^3$.

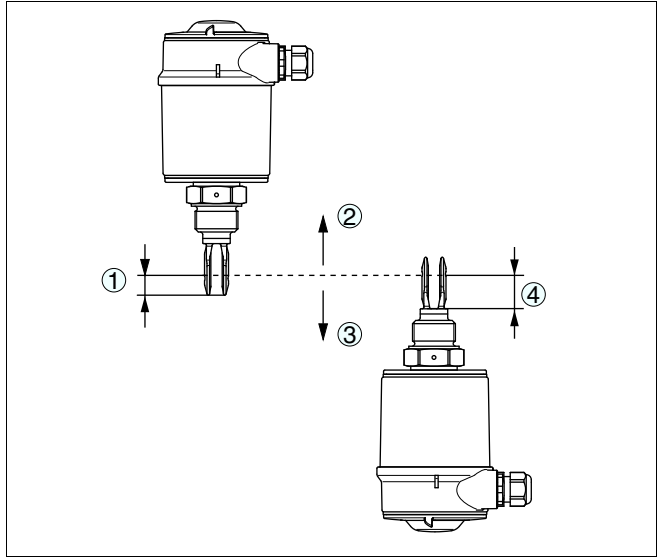


Fig. 2: Installation vertical

- 1 Switching point approx. 13 mm (0.51 in)
- 2 Switching point with lower density
- 3 Switching point with higher density
- 4 Switching point approx. 27 mm (1.06 in)

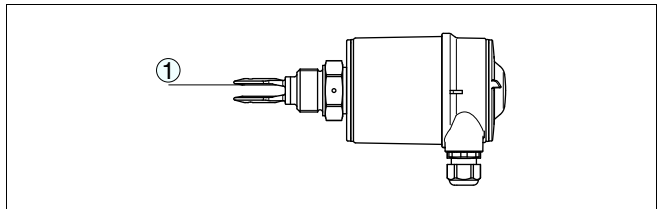


Fig. 3: Horizontal installation

- 1 Switching point

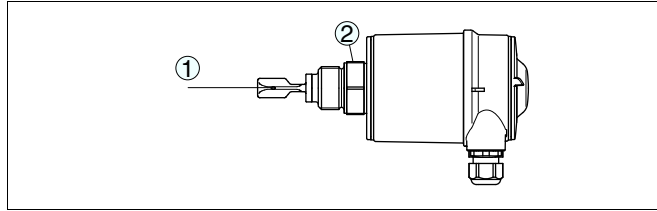
Moisture

Fig. 4: Horizontal installation (recommended mounting position, particularly for adhesive products)

- 1 Switching point
- 2 Marking with screwed version on top, with flange versions directed to the flange holes

With flange versions, the fork is directed as follows to the flange holes.

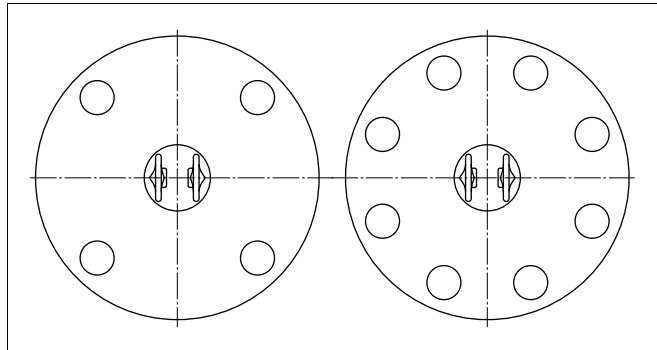


Fig. 5: Fork position with flange versions

Use the recommended cables (see chapter "Connecting to power supply") and tighten the cable gland.

You can give your instrument additional protection against moisture penetration by leading the connection cable downward in front of the cable entry. Rain and condensation water can thus drain off. This applies mainly to outdoor mounting as well as installation in areas where high humidity is expected (e.g. through cleaning processes) or on cooled or heated vessels.

MAN 1000098256 ML Version: C Status: RL (released | freigegeben) printed: 22.09.2017

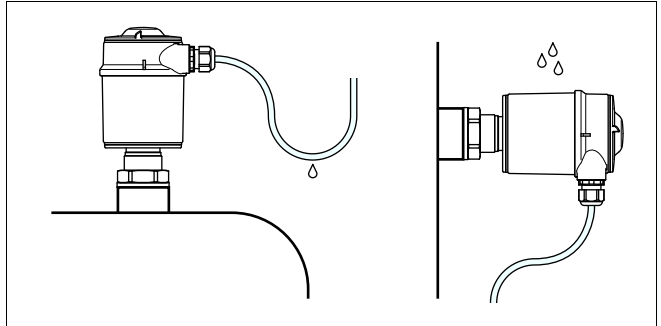


Fig. 6: Measures against moisture penetration

Transport



Caution:

Do not hold LEVEL SWITCH 8111 on the tuning fork. Particularly with flange or tube versions, the tuning fork can be damaged just by the weight of the instrument. Transport coated instruments very carefully and avoid touching the tuning fork.

Remove the packaging or the protective cover just before installation.

Pressure/Vacuum

The process fitting must be sealed if there is gauge or low pressure in the vessel. Before use, check if the seal material is resistant against the measured product and the process temperature.

The max. permissible pressure is specified in chapter "Technical data" or on the type label of the sensor.

Handling

The vibrating level switch is a measuring instrument and must be treated accordingly. Bending the vibrating element will destroy the instrument.



Warning:

The housing must not be used to screw the instrument in! Applying tightening force can damage internal parts of the housing.

Use the hexagon above the thread for screwing in.

4.2 Instructions for installation

Welded socket

LEVEL SWITCH 8111 has a defined thread starting point. This means that every LEVEL SWITCH 8111 is in the same fork position after being screwed in. Remove therefore the supplied seal from the thread of LEVEL SWITCH 8111. This seal is not required when using a welded socket with O-ring in front.

Keep in mind that this welded socket is not suitable for coated instrument versions.

Screw LEVEL SWITCH 8111 completely into the welded socket. The later position can be determined already before welding. Mark the appropriate position of the welded socket. Before welding, unscrew LEVEL SWITCH 8111 and remove the rubber ring from the welded socket. The welded socket has a marking (notch). Weld the socket with the notch facing upward, or in case of pipelines (DN 32 up to DN 50), aligned with the direction of flow.

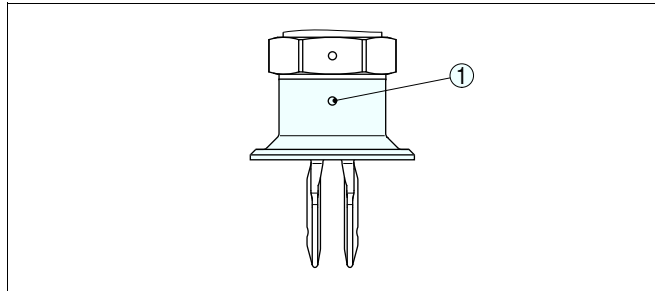


Fig. 7: Marking on the welded socket

1 Marking

Adhesive products

In case of horizontal mounting in adhesive and viscous products, the surfaces of the tuning fork should be vertical in order to reduce buildup on the tuning fork. On the screwed version you will find a marking on the hexagon. With this, you can check the position of the tuning fork when screwing it in. When the hexagon touches the seal, the thread can still be turned by approx. half a turn. This is sufficient to reach the recommended installation position.

With flange versions, the fork is directed to the flange holes.

When used in adhesive and viscous products, the tuning fork should protrude into the vessel to avoid buildup. For that reason, sockets for flanges and mounting bosses should be avoided when mounting horizontally.

Inflowing medium

If LEVEL SWITCH 8111 is mounted in the filling stream, unwanted false measurement signals can be generated. For this reason, mount LEVEL SWITCH 8111 at a position in the vessel where no disturbances, e.g. from filling openings, agitators, etc., can occur.

Flows

To minimise flow resistance caused by the tuning fork, LEVEL SWITCH 8111 should be mounted in such a way that the surfaces of the blades are parallel to the product movement.

Enamel coating

Instruments with enamel coating should be treated very carefully and shocks should be avoided. Unpack LEVEL SWITCH 8111 directly before installation. Insert LEVEL SWITCH 8111 carefully into the vessel opening and avoid touching any sharp vessel parts.

MAN 1000098256 ML Version: C Status: RL (released | freigegeben) printed: 22.09.2017

5 Connecting to power supply

5.1 Preparing the connection

Always keep in mind the following safety instructions:

- Connect only in the complete absence of line voltage

In hazardous areas you must take note of the respective regulations, conformity and type approval certificates of the sensors and power supply units.

Connect the operating voltage according to the following diagrams. Take note of the general installation regulations. As a rule, connect LEVEL SWITCH 8111 to vessel ground (PA), or in case of plastic vessels, to the next ground potential. On the side of the instrument housing there is a ground terminal between the cable entries. This connection serves to drain off electrostatic charges. In Ex applications, the installation regulations for hazardous areas must be given priority.

The data for power supply are specified in chapter "*Technical data*".

The instrument is connected with standard two-wire cable without screen. If electromagnetic interference is expected which is above the test values of EN 61326 for industrial areas, screened cable should be used.

Use cable with round cross-section. A cable outer diameter of 5 ... 9 mm (0.2 ... 0.35 in) ensures the seal effect of the cable gland. If you are using cable with a different diameter or cross-section, exchange the seal or use a suitable cable gland.

In hazardous areas, only use approved cable connections for LEVEL SWITCH 8111.

Take note of the corresponding installation regulations for Ex applications.

Cover all housing openings conforming to standard according to EN 60079-1.

5.2 Connection procedure

With Ex instruments, the housing cover may only be opened if there is no explosive atmosphere present.

Proceed as follows:

- 1 Unscrew the housing cover
- 2 Loosen compression nut of the cable entry
- 3 Remove approx. 10 cm (4 in) of the cable mantle, strip approx. 1 cm (0.4 in) of insulation from the ends of the individual wires
- 4 Insert the cable into the sensor through the cable entry

Not printed:
 Note safety instructions

Take note of the
 safety instructions for Ex applications
 Voltage supply



Connection cable

Connection cable for Ex applications



Version: 1000098256 ML (released | free) Status: RL (released | free) Date: 09.09.2017

- 5 Open the terminals with a screwdriver
 - 6 Insert the wire ends into the open terminals according to the wiring plan
 - 7 Tighten the terminals with a screwdriver
 - 8 Check the hold of the wires in the terminals by lightly pulling on them
 - 9 Tighten the compression nut of the cable entry. The seal ring must completely encircle the cable
 - 10 Screw the housing cover back on
- The electrical connection is finished.

5.3 Wiring plan, single chamber housing

Electronics and connection compartment

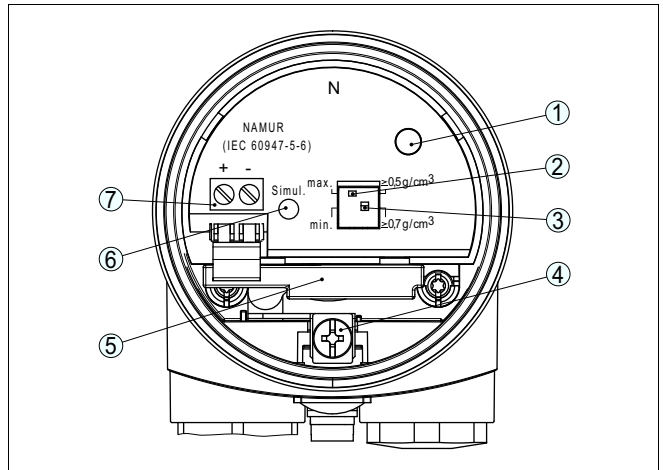


Fig. 8: Electronics and connection compartment, single chamber housing

- 1 Control lamp
- 2 DIL switch for characteristics reversal
- 3 DIL switch for sensitivity adjustment
- 4 Ground terminal
- 5 EMC filter element
- 6 Simulation key
- 7 Connection terminals

Wiring plan

For connection of the amplifier according to NAMUR (IEC 60947-5-6, EN 50227). You can find further information in the "Technical data".

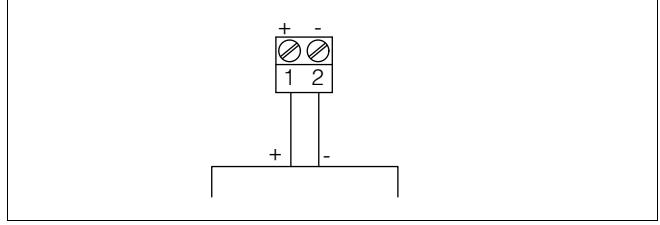


Fig. 9: Wiring plan, single chamber housing

Function/Configuration

6 Set up

6.1 General information

The figures in brackets refer to the following illustrations.

The switching condition of the electronics can be checked with closed housing cover (control lamp). In the basic setting, products with a density $> 0.7 \text{ g/cm}^3$ (0.025 lbs/in^3) can be detected. For products with lower density, the switch must be set to $> 0.5 \text{ g/cm}^3$ (0.018 lbs/in^3).

On the electronics module you will find the following indicating and adjustment elements:

- Signal lamp (1)
- DIL switch for characteristics reversal - min./max. (2)
- DIL switch for sensitivity adjustment (3)
- Simulation key (4)



Note:

For test purposes, immerse the tuning fork of LEVEL SWITCH 8111 always in liquids. Do not test the function of LEVEL SWITCH 8111 with your hand. This can damage the sensor.

6.2 Adjustment elements

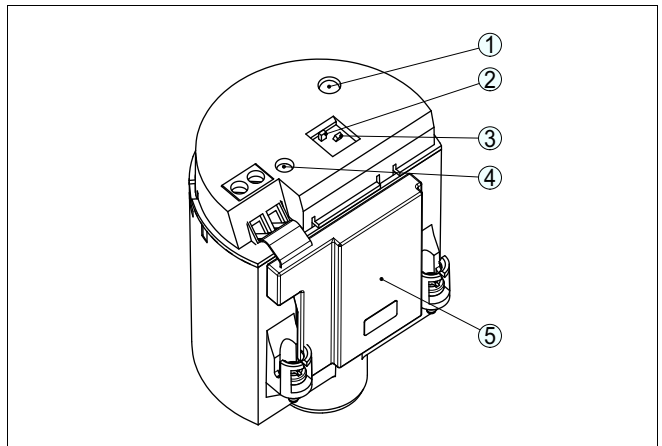


Fig. 10: Oscillator SWE60N - NAMUR output

- 1 Signal lamp (LED)
- 2 DIL switch for characteristics reversal
- 3 DIL switch for sensitivity adjustment
- 4 Simulation key
- 5 EMC filter element

Signal lamp (1)

Single-coloured control lamp for indication of the switching condition.

- red = High current ≥ 2.6 mA
- dark = Low current ≤ 0.6 mA
- red (flashing) = Failure ≤ 0.6 mA

Characteristics reversal (2)

The characteristics reversal can be carried out with the DIL switch. You can choose between falling characteristic curve (switch position max.) and rising characteristic curve (switch position min.). This allows you to output the desired current.

Modes

- min. - rising characteristic curve (High current when immersed)
- max. - falling characteristics (Low current when immersed)

The NAMUR output can be switched over to falling or rising characteristics (see also "*Function chart*").

For applications according to WHG, the DIL switch must be set to position max.

Sensitivity adjustment (3)

With this DIL switch (3) you can set the switching point to liquids having a density between 0.5 and 0.7 g/cm³ (0.018 and 0.025 lbs/in³). With the basic setting, liquids with a density of > 0.7 g/cm³ (0.025 lbs/in³) can be detected. In liquids with lower density, you must set the switch to > 0.5 g/cm³ (0.018 lbs/in³). The specifications for the position of the switching point relate to water - density value 1 g/cm³ (0.036 lbs/in³). In products with a different density, the switching point will shift in the direction of the housing or tuning fork end depending on the density and type of installation.



Note:

Keep in mind that foams with a density > 0.45 g/cm³ (0.016 lbs/in³) are detected by the sensor. This can cause faulty switchings particularly when used as dry run protection system.

Simulation key (4)

The simulation key is located in a recess on the upper side of the electronics module. Push the simulation key with a suitable object (screwdriver, pen, etc.).

When the key is pushed, a line break between sensor and processing unit is simulated. The signal lamp on the sensor extinguishes. The measuring system must signal a fault and take on a safe condition when the key is pushed.

Keep in mind that downstream connected instruments will be activated during operation. This allows you to check the correct function of the measuring system.

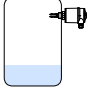



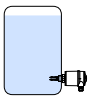

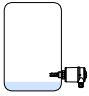


6.3 Function chart

The following chart provides an overview of the switching conditions depending on the adjusted mode and level.



Note:

The mode setting on the NAMUR amplifier must be selected in such a way that the switching output takes on safe condition in case of failure ($I \leq 0.6 \text{ mA}$).

	Level	Signal current - Sensor	Control lamp
Falling characteristics max.		$\geq 2.6 \text{ mA}$	
Falling characteristics min.		$\leq 0.6 \text{ mA}$	
Rising characteristics min.		$\geq 2.6 \text{ mA}$	
Rising characteristics max.		$\leq 0.6 \text{ mA}$	
Malfunction	any	$\leq 0.6 \text{ mA}$	 flashes

7 Maintenance and fault rectification

7.1 Maintenance

If the instrument is used properly, no special maintenance is required in normal operation.

7.2 Remove interferences

The operator of the system is responsible for taking suitable measures to rectify faults.

LEVEL SWITCH 8111 offers maximum reliability. Nevertheless, faults can occur during operation. These may be caused by the following, e.g.:

- Sensor
- Process
- Voltage supply
- Signal processing

The first measure to be taken is to check the output signal. In many cases, the causes can be determined this way and the faults rectified.

Reaction when malfunctions occur

Failure reasons

Fault rectification

Checking the switching signal

Error	Cause	Rectification
LEVEL SWITCH 8111 signals "covered" without being submerged (over-fill protection) LEVEL SWITCH 8111 signals "uncovered" when being submerged (dry run protection)	Operating voltage too low	Check operating voltage
	Electronics defective	Press the characteristic reversal switch. If the instrument then changes the mode, the vibrating element may be covered with buildup or mechanically damaged. Should the switching function in the correct mode still be faulty, return the instrument for repair.
		Push the characteristic reversal switch. If the instrument then does not change the mode, the electronics module may be defective. Exchange the electronics module.
	Unfavourable installation location	Mount the instrument at a location in the vessel where no dead zones or air bubbles can form.
	Buildup on the vibrating element	Check the vibrating element and the sensor if there is buildup and remove it.

Error	Cause	Rectification
	Wrong characteristic selected	Set the correct characteristics on the characteristics reversal switch (overflow protection, dry run protection). Wiring should be carried out according to the quiescent current principle.
Signal lamp flashes red	Error on the vibrating element	Check if the vibrating element is damage or extremely corroded.
	Interference on the electronics module	Exchanging the electronics module
	instrument defective	Exchange the instrument or send it in for repair

Reaction after fault rectification

Depending on the reason for the fault and the measures taken, the steps described in chapter "Set up" may have to be carried out again.

7.3 Exchange of the electronics

If the electronics module is defective, it can be replaced by the user.



In Ex applications only an electronics module with respective Ex approval may be used.

You find all information to the electronics exchange in the operating instructions of the new electronics module.

In general, all electronics modules of series SW60 can be interchanged. If you want to use an electronics module with a different signal output, you carry out the complete setup. You find the necessary, suitable operating instruction on our homepage.



Note:

Keep in mind that enamelled instrument versions need special electronics modules. These electronics modules are called SW60E or SW60E1.

8 Dismounting

8.1 Dismounting steps

**Warning:**

Before dismounting, be aware of dangerous process conditions such as e.g. pressure in the vessel, high temperatures, corrosive or toxic products etc.

Take note of chapters "*Mounting*" and "*Connecting to power supply*" and carry out the listed steps in reverse order.



With Ex instruments, the housing cover may only be opened if there is no explosive atmosphere present.

8.2 Disposal

The instrument consists of materials which can be recycled by specialised recycling companies. We use recyclable materials and have designed the electronics to be easily separable.

WEEE directive 2002/96/EG

This instrument is not subject to the WEEE directive 2002/96/EG and the respective national laws. Pass the instrument directly on to a specialised recycling company and do not use the municipal collecting points. These may be used only for privately used products according to the WEEE directive.

Correct disposal avoids negative effects on humans and the environment and ensures recycling of useful raw materials.

Materials: see chapter "*Technical data*"

If you have no way to dispose of the old instrument properly, please contact us concerning return and disposal.

9 Supplement

9.1 Technical data

General data

Material 316L corresponds to 1.4404 or 1.4435

Materials, wetted parts

Process fitting - thread	316L, Hastelloy C22 (2.4602)
Process fitting - flange	316L, 316L with Hastelloy C22 coating, steel enamelled, 316L with ECTFE coating, 316L with PFA coating
Process seal	Klingscil C-4400
Tuning fork	316L, Hastelloy C22 (2.4602)

Sensor length

Length LEVEL SWITCH 8111	See chapter " <i>Dimensions</i> "
--------------------------	-----------------------------------

Materials, non-wetted parts

Housing	plastic PBT (Polyester)
Seal between housing and housing cover	EPDM
Ground terminal	316L
Temperature adapter (optional)	316L
Gas-tight leadthrough (optional)	316L/glass

Weight

Plastic housing	approx. 850 g (30 oz)
-----------------	-----------------------

Layer thickness

Enamel	approx. 0.8 mm (0.031 in)
ECTFE	approx. 0.5 mm (0.02 in)
PFA	approx. 0.5 mm (0.02 in)

Surface quality

– Standard	R _a approx. 3 µm (1.18 ⁻⁴ in)
– Hygienic version (3A)	R _a < 0.8 µm (3.15 ⁻⁵ in)
– Hygienic version (3A)	R _a < 0.3 µm (1.18 ⁻⁵ in)

Process fittings

– Pipe thread, cylindrical (DIN 3852-A)	G ³ / ₄ A, G1 A
– American pipe thread, conical (ASME B1.20.1)	³ / ₄ NPT or 1 NPT
– Flanges	DIN from DN 25, ANSI from 1"
– hygienic fittings	Bolting DN 40 PN 40, Clamp 1" DIN 32676 ISO 2852/316L, Clamp 1½" PN 10 DIN 32676 ISO 2852/316L, conus DN 25 PN 40, Tuchenhagen Varivent DN 50 PN 10

Max. torque - process fitting

– Thread G $\frac{3}{4}$ A, $\frac{3}{4}$ NPT	75 Nm (55 lbf ft)
– Thread G1 A, 1 NPT	100 Nm (73 lbf ft)
High voltage test (enamel)	max. 5 KV
Gas-tight leadthrough (optional)	
– Leakage rate	$< 10^{-6}$ mbar l/s
– Pressure resistance	PN 64

Output variable

Output	Two-wire NAMUR output
Current consumption	
– Falling characteristics	≥ 2.6 mA uncovered/ ≤ 0.6 mA covered
– Rising characteristics	≤ 0.6 mA uncovered/ ≥ 2.6 mA covered
– Fault message	≤ 0.6 mA
Necessary processing system	NAMUR processing system according to IEC 60947-5-6 (EN 50227/DIN 19234)
Modes (NAMUR output adjustable to falling or rising characteristics)	
– Min.	rising characteristic curve (High current when immersed)
– Max.	falling characteristics (Low current when immersed)

Measuring accuracy

Deviation	± 1 mm (0.04 in)
-----------	----------------------

Influence of the process temperature on the switching point

MAN 1000096256-ML-Status: RL (released | freigegeben) | printed: 22-09-2017

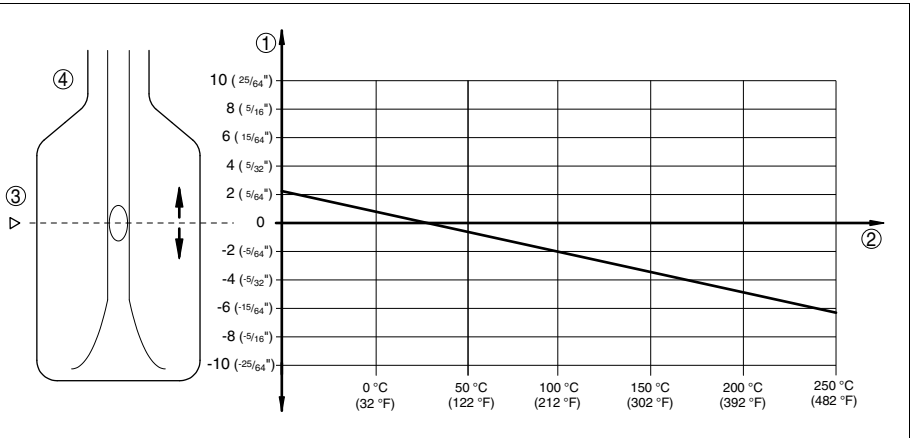


Fig. 20: Influence of the process temperature on the switching point

- 1 Shifting of the switching point in mm (in)
- 2 Process temperature in °C (°F)
- 3 Switching point at reference conditions (notch)
- 4 Tuning fork

Influence of the product density on the switching point

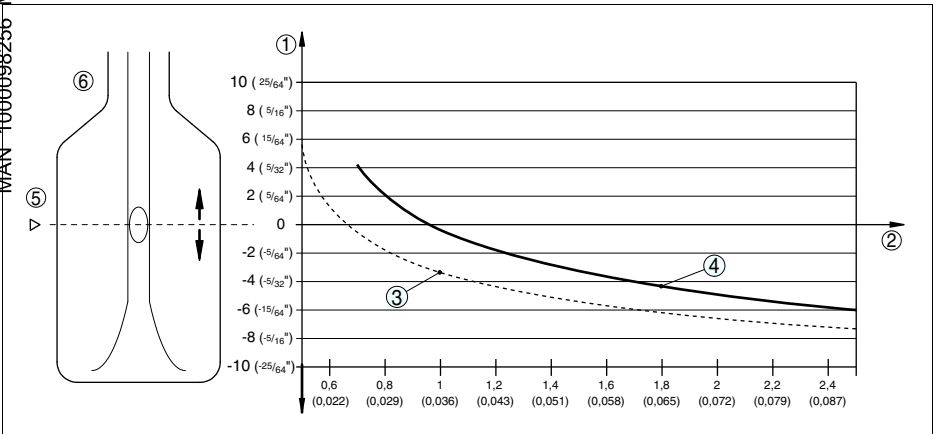


Fig. 21: Influence of the product density on the switching point

- 1 Shifting of the switching point in mm (in)
- 2 Product density in g/cm³ (lb/in³)
- 3 Switch position 0.5 g/cm³ (0.018 lb/in³)
- 4 Switch position 0.7 g/cm³ (0.025 lb/in³)
- 5 Switching point at reference conditions (notch)
- 6 Tuning fork

32048-EN-120418

Influence of the process pressure to the switching point

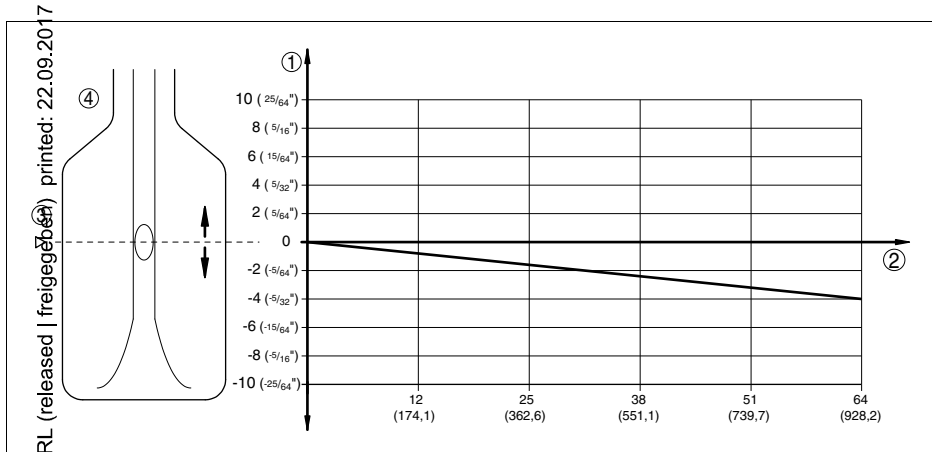


Fig. 32: Influence of the process pressure to the switching point

- 1 Shifting of the switching point in mm (in)
 2 Process pressure in bar (psig)
 3 Switching point at reference conditions (notch)
 4 Tuning fork

Repeatability	0.1 mm (0.004 in)
Hysteresis	approx. 2 mm (0.08 in) with vertical installation
Switching delay	approx. 500 ms (on/off)
Frequency	approx. 1200 Hz

Ambient conditions

Ambient temperature on the housing	-40 ... +70 °C (-40 ... +158 °F)
Storage and transport temperature	-40 ... +80 °C (-40 ... +176 °F)

Process conditions

Measured variable	Limit level of liquids
Process pressure	-1 ... 64 bar/-100 ... 6400 kPa (-14.5 ... 928 psig) depending on the process fitting, e.g. flange (see following diagrams)
Process temperature (thread or flange temperature)	
– LEVEL SWITCH 8111 of 316L/Hastelloy C22 (2.4602)	-50 ... +150 °C (-58 ... +302 °F)
Process temperature (thread or flange temperature) with temperature adapter (option)	
– LEVEL SWITCH 8111 of 316L/Hastelloy C22 (2.4602)	-50 ... +250 °C (-58 ... +482 °F)

- LEVEL SWITCH 8111 enamelled -50 ... +200 °C (-58 ... +392 °F)
- LEVEL SWITCH 8111 with ECTFE coating -50 ... +150 °C (-58 ... +302 °F)
- LEVEL SWITCH 8111 with PFA coating -50 ... +150 °C (-58 ... +302 °F)

MAN 1000096256-ML-Version: Status: RL (released | freigegeben) printed: 22.09.2017

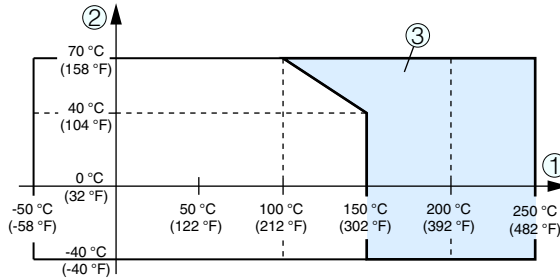


Fig. 23: Ambient temperature - Process temperature

- Process temperature in °C (°F)
- Ambient temperature in °C (°F)
- Temperature range with temperature adapter

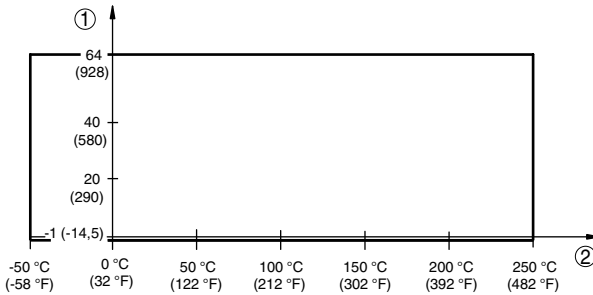


Fig. 24: Process temperature - Process pressure with switch position 0.7 g/cm³ (sensitivity switch)

- 1 Process pressure in bar (psig)
- 2 Process temperature in °C (°F)

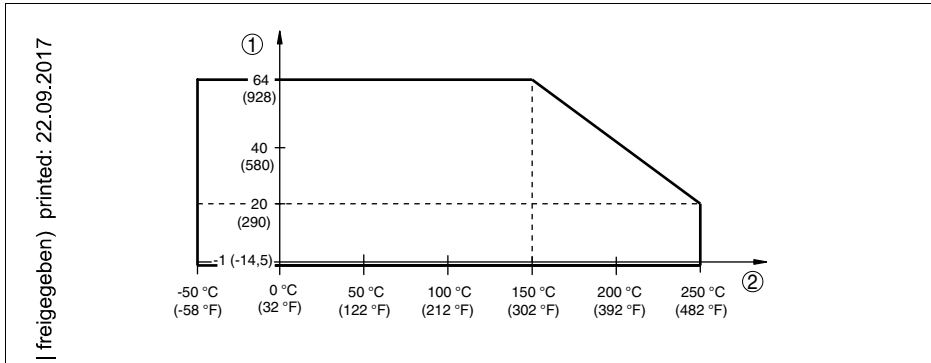


Fig. 85: Process temperature - Process pressure with switch position 0.5 g/cm³ (sensitivity switch)

- 1 Process pressure in bar (psig)
- 2 Process temperature in °C (°F)

Viscosity - dynamic	0.1 ... 10,000 mPa s (requirement: with density 1)
Flow velocity	max. 6 m/s (with a viscosity of 1 mPa s)
Density	0.7 ... 2.5 g/cm ³ (0.025 ... 0.09 lbs/in ³); 0.5 ... 2.5 g/cm ³ (0.018 ... 0.09 lbs/in ³) by switching over

Electrical protective measures

Protection rating	IP 66/IP 67
Overvoltage category	III
Protection class	II

Adjustment elements

Mode switch	
- Min.	rising characteristic curve (High current when immersed)
- Max.	falling characteristics (Low current when immersed)
Sensitivity switch	
- 0.5	0.5 ... 2.5 g/cm ³ (0.018 ... 0.9 oz/in ³)
- 0.7	0.7 ... 2.5 g/cm ³ (0.025 ... 0.9 oz/in ³)
Test key	simulation of a line break between sensor and processing unit

Voltage supply

Operating voltage (characteristics according to standard)	for connection to an amplifier according to NAMUR IEC 60947-5-6, approx. 8.2 V
Off-load voltage	U ₀ approx. 8.2 V
Shortcircuit current	I _U approx. 8.2 mA

Electrical protective measures

Protection rating	
Plastic housing	IP 66/IP 67
Aluminium and stainless steel standard	IP 66/IP 68 (0.2 bar) ¹⁾
Aluminium and stainless housing (optionally available)	IP 66/IP 68 (1 bar)
Overvoltage category	III
Protection class	II

MAN 1000098256 ML Version: C Status: RL (released | freigegeben) | Printed: 22.09.2017

¹⁾ A suitable cable is the prerequisite for maintaining the protection rating.

9.2 Dimensions

LEVEL SWITCH 8111

MAN 1000098256 ML Version: C Status: RL (released | freigegeben) printed: 22.09.2017

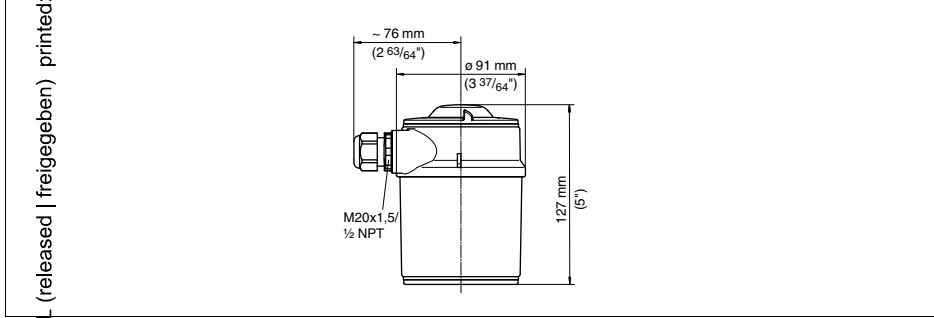


Fig. 36: Housing

LEVEL SWITCH 8111

1000096256-ML-Version: C-Status: RL (released | freigegeben) printed: 22-09-2017

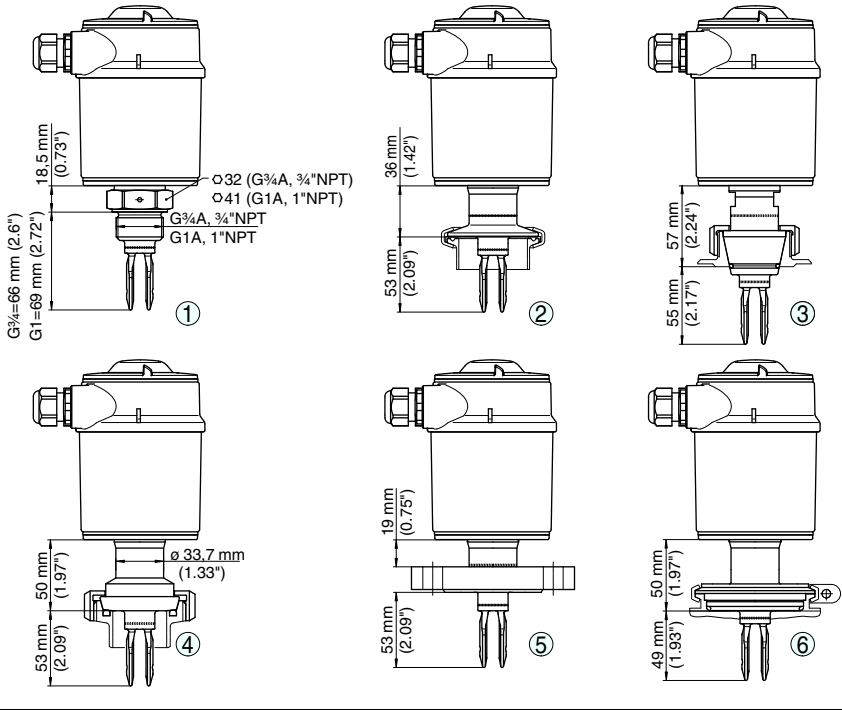


Fig. 27: LEVEL SWITCH 8111

- 1 Thread
- 2 Clamp
- 3 Cone DN 25
- 4 Bolting DN 40
- 5 Flange
- 6 Gas-tight leadthrough
- 7 Temperature adapter

LEVEL SWITCH 8111, options

Version: C Status: RL (released | freigegeben) printed: 22.09.2017

MAN 1000098256

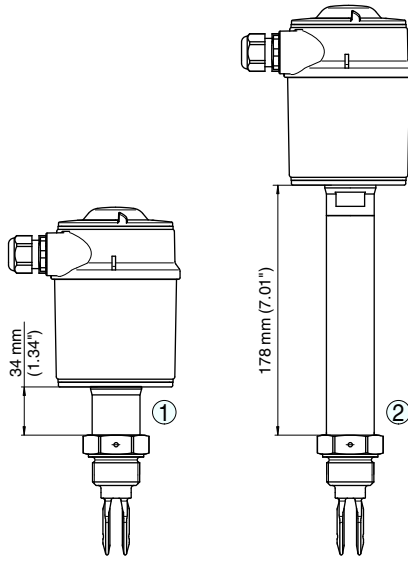


Fig. 18: Options

- 1 Gas-tight leadthrough
- 2 Temperature adapter

MAN 1000098256 ML Version: C Status: RL (released | freigegeben) printed: 22.09.2017

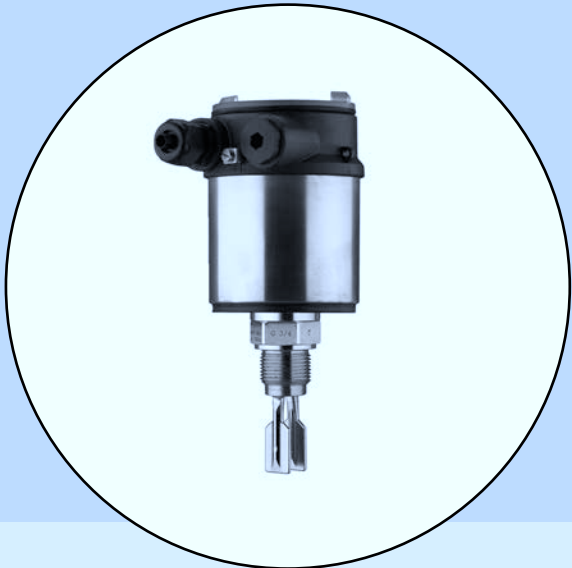
The smart choice
of Fluid Control Systems
www.burkert.com


FLUID CONTROL SYSTEMS

32048-EN-120418

Bedienungsanleitung

MAN 1000098256 ML Version: C Status: RL (released | freigegeben) printed: 22.09.2017



LEVEL SWITCH 8111

mit NAMUR-Ausgang

Inhaltsverzeichnis

1	Zu diesem Dokument	
1.1	Funktion	4
1.2	Zielgruppe	4
1.3	Verwendete Symbolik	4
2	Zu Ihrer Sicherheit	
2.1	Autorisiertes Personal	5
2.2	Bestimmungsgemäße Verwendung	5
2.3	Warnung vor Fehlgebrauch	5
2.4	Allgemeine Sicherheitshinweise	5
2.5	Sicherheitskennzeichen am Gerät	6
2.6	CE-Konformität	6
2.7	SIL-Konformität	6
2.8	Sicherheitshinweise für Ex-Bereiche	6
3	Produktbeschreibung	
3.1	Aufbau	7
3.2	Arbeitsweise	8
3.3	Bedienung	8
3.4	Lagerung und Transport	9
4	Montieren	
4.1	Allgemeine Hinweise	10
4.2	Montagehinweise	14
5	An die Spannungsversorgung anschließen	
5.1	Anschluss vorbereiten	16
5.2	Anschlussschritte	16
5.3	Anschlussplan Einkammergehäuse	17
6	In Betrieb nehmen	
6.1	Allgemein	19
6.2	Bedienelemente	19
6.3	Funktionstabelle	21
7	Instandhalten und Störungen beseitigen	
7.1	Wartung	22
7.2	Störungen beseitigen	22
7.3	Elektronik austauschen	23
8	Ausbauen	
8.1	Ausbauschnitte	24
8.2	Entsorgen	24
9	Anhang	
9.1	Technische Daten	25
9.2	Maße	32

Ergänzende Dokumentation



Information:

Je nach bestellter Ausführung gehört ergänzende Dokumentation zum Lieferumfang. Diese finden Sie im Kapitel "*Produktbeschreibung*".

Anleitungen für Zubehör und Ersatzteile



Tipp:

Für den sicheren Einsatz und Betrieb Ihres LEVEL SWITCH 8111 bieten wir Zubehör und Ersatzteile an. Die zugehörigen Dokumentationen sind:

- Betriebsanleitung "*Elektronikeinsatz LEVEL SWITCH 8111/8112*"

Redaktionsstand: 2012-04-12

1 Zu diesem Dokument

1.1 Funktion

Die vorliegende Betriebsanleitung liefert Ihnen die erforderlichen Informationen für Montage, Anschluss und Inbetriebnahme sowie wichtige Hinweise für Wartung und Störungsbeseitigung. Lesen Sie diese deshalb vor der Inbetriebnahme und bewahren Sie sie als Produktbestandteil in unmittelbarer Nähe des Gerätes jederzeit zugänglich auf.

1.2 Zielgruppe

Diese Betriebsanleitung richtet sich an ausgebildetes Fachpersonal. Der Inhalt dieser Anleitung muss dem Fachpersonal zugänglich gemacht und umgesetzt werden.

1.3 Verwendete Symbolik



Information, Tipp, Hinweis

Dieses Symbol kennzeichnet hilfreiche Zusatzinformationen.



Vorsicht: Bei Nichtbeachten dieses Warnhinweises können Störungen oder Fehlfunktionen die Folge sein.

Warnung: Bei Nichtbeachten dieses Warnhinweises kann ein Personenschaden und/oder ein schwerer Geräteschaden die Folge sein.

Gefahr: Bei Nichtbeachten dieses Warnhinweises kann eine ernsthafte Verletzung von Personen und/oder eine Zerstörung des Gerätes die Folge sein.



Ex-Anwendungen

Dieses Symbol kennzeichnet besondere Hinweise für Ex-Anwendungen.



Liste

Der vorangestellte Punkt kennzeichnet eine Liste ohne zwingende Reihenfolge.



Handlungsschritt

Dieser Pfeil kennzeichnet einen einzelnen Handlungsschritt.



Handlungsfolge

Vorangestellte Zahlen kennzeichnen aufeinander folgende Handlungsschritte.

2 Zu Ihrer Sicherheit

2.1 Autorisiertes Personal

Sämtliche in dieser Betriebsanleitung beschriebenen Handhabungen dürfen nur durch ausgebildetes und vom Anlagenbetreiber autorisiertes Fachpersonal durchgeführt werden.

Bei Arbeiten am und mit dem Gerät ist immer die erforderliche persönliche Schutzausrüstung zu tragen.

2.2 Bestimmungsgemäße Verwendung

Der LEVEL SWITCH 8111 ist ein Sensor zur Grenzstanderfassung.

Detaillierte Angaben zum Anwendungsbereich finden Sie im Kapitel "*Produktbeschreibung*".

Die Betriebssicherheit des Gerätes ist nur bei bestimmungsgemäßer Verwendung entsprechend den Angaben in der Betriebsanleitung sowie in den evtl. ergänzenden Anleitungen gegeben.

Eingriffe über die in der Betriebsanleitung beschriebenen Handhabungen hinaus dürfen aus Sicherheits- und Gewährleistungsgründen nur durch vom Hersteller autorisiertes Personal vorgenommen werden. Eigenmächtige Umbauten oder Veränderungen sind ausdrücklich untersagt.

2.3 Warnung vor Fehlgebrauch

Bei nicht sachgerechter oder nicht bestimmungsgemäßer Verwendung können von diesem Gerät anwendungsspezifische Gefahren ausgehen, so z. B. ein Überlauf des Behälters oder Schäden an Anlagenteilen durch falsche Montage oder Einstellung.

2.4 Allgemeine Sicherheitshinweise

Das Gerät entspricht dem Stand der Technik unter Beachtung der üblichen Vorschriften und Richtlinien. Durch den Anwender sind die Sicherheitshinweise in dieser Betriebsanleitung, die landesspezifischen Installationsstandards sowie die geltenden Sicherheitsbestimmungen und Unfallverhütungsvorschriften zu beachten.

Das Gerät darf nur in technisch einwandfreiem und betriebssicheren Zustand betrieben werden. Der Betreiber ist für den störungsfreien Betrieb des Gerätes verantwortlich.

Der Betreiber ist ferner verpflichtet, während der gesamten Einsatzdauer die Übereinstimmung der erforderlichen Arbeitssicherheitsmaßnahmen mit dem aktuellen Stand der jeweils geltenden Regelwerke festzustellen und neue Vorschriften zu beachten.

2.5 Sicherheitskennzeichen am Gerät

Die auf dem Gerät angebrachten Sicherheitskennzeichen und -hinweise sind zu beachten.

2.6 CE-Konformität

Dieses Gerät erfüllt die gesetzlichen Anforderungen der zutreffenden EG-Richtlinien. Mit der Anbringung des CE-Zeichens bestätigen wir die erfolgreiche Prüfung.

2.7 SIL-Konformität

Der LEVEL SWITCH 8111 erfüllt die Anforderungen an die funktionale Sicherheit nach IEC 61508 bzw. IEC 61511. Weitere Informationen finden Sie im Safety Manual "LEVEL SWITCH".

2.8 Sicherheitshinweise für Ex-Bereiche

Beachten Sie bei Ex-Anwendungen die Ex-spezifischen Sicherheitshinweise. Diese sind Bestandteil der Betriebsanleitung und liegen jedem Gerät mit Ex-Zulassung bei.

Lieferumfang**3 Produktbeschreibung****3.1 Aufbau**

Der Lieferumfang besteht aus:

- Grenzstandsensoren LEVEL SWITCH 8111
- Dokumentation
 - Dieser Betriebsanleitung
 - Safety Manual "*Funktionale Sicherheit nach IEC 61508 bzw. IEC 61511 (SIL)*"
 - Ex-spezifischen "*Sicherheitshinweisen*" (bei Ex-Ausführungen)
 - Ggf. weiteren Bescheinigungen

Komponenten

Der LEVEL SWITCH 8111 besteht aus den Komponenten:

- Gehäusedeckel
- Gehäuse mit Elektronik
- Prozessanschluss mit Schwinggabel

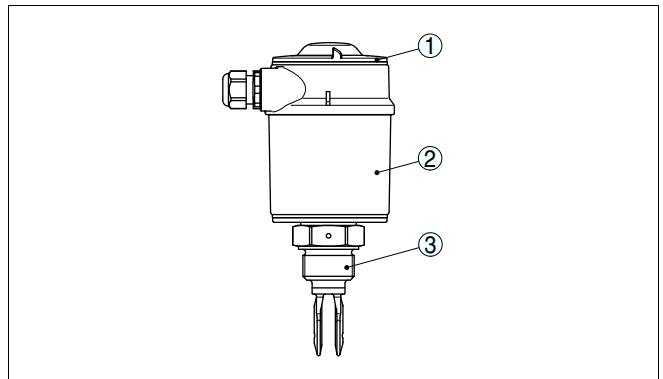


Abb. 1: LEVEL SWITCH 8111

- 1 Gehäusedeckel
- 2 Gehäuse mit Elektronik
- 3 Prozessanschluss

Typschild

Das Typschild enthält die wichtigsten Daten zur Identifikation und zum Einsatz des Gerätes:

- Artikelnummer
- Seriennummer
- Technische Daten
- Artikelnummern Dokumentation

Zusätzlich zum Typschild außen am Gerät finden Sie die Seriennummer auch im Inneren des Gerätes.

Anwendungsbereich

3.2 Arbeitsweise

Der LEVEL SWITCH 8111 ist ein Grenzstandsensoren mit Schwinggabel zur Grenzstanderfassung.

Er ist konzipiert für industrielle Einsätze in allen Bereichen der Verfahrenstechnik und kann in Flüssigkeiten eingesetzt werden.

Typische Anwendungen sind Überlauf- und Trockenlaufschutz. Mit der nur 40 mm langen Schwinggabel kann der LEVEL SWITCH 8111 z. B. auch in Rohrleitungen ab DN 32 montiert werden. Die kleine Schwinggabel gestattet den Einsatz in Behältern, Tanks und Rohren. Durch sein einfaches und robustes Messsystem lässt sich der LEVEL SWITCH 8111 nahezu unabhängig von den chemischen und physikalischen Eigenschaften der Flüssigkeit einsetzen.

Er arbeitet auch unter schwierigen Messbedingungen wie Turbulenzen, Luftblasen, Schaumbildung, Anhaftungen, starken Fremdvibrationen oder wechselndem Füllgut.

Funktionsüberwachung

Der Elektronikeinsatz des LEVEL SWITCH 8111 überwacht über die Frequenzauswertung kontinuierlich folgende Kriterien:

- Starke Korrosion oder Beschädigung der Schwinggabel
- Ausfall der Schwingung
- Leitungsbruch zum Piezoantrieb

Wird eine Funktionsstörung erkannt oder fällt die Spannungsversorgung aus, so nimmt die Elektronik einen definierten Ausgangszustand an (sicherer Zustand).

Funktionsprinzip

Die Schwinggabel wird piezoelektrisch angetrieben und schwingt auf ihrer mechanischen Resonanzfrequenz von ca. 1200 Hz. Die Piezos sind mechanisch befestigt und unterliegen somit keinen Temperaturschockeingrenzungen. Wird die Schwinggabel mit Füllgut bedeckt, ändert sich die Frequenz. Diese Änderung wird vom eingebauten Elektronikeinsatz erfasst und in einen Schaltbefehl umgewandelt.

Spannungsversorgung

Der LEVEL SWITCH 8111 ist ein Kompaktgerät, d. h. er kann ohne externe Auswertung betrieben werden. Die integrierte Elektronik wertet das Füllstandsignal aus und stellt ein Schaltsignal zur Verfügung. Mit diesem Schaltsignal können Sie ein nachgeschaltetes Gerät direkt betätigen (z. B. eine Warneinrichtung, eine Pumpe etc.).

Die Daten für die Spannungsversorgung finden Sie im Kapitel "Technische Daten".

3.3 Bedienung

Der Schaltzustand des LEVEL SWITCH 8111 kann bei geschlossenem Gehäuse kontrolliert werden (Kontrollleuchte). In der Grundeinstellung können Füllgüter mit Dichte $> 0,7 \text{ g/cm}^3$ (0.025 lbs/in^3) detektiert werden. Bei Füllgütern mit niedrigerer Dichte kann das Gerät angepasst werden.

Auf dem Elektronikeinsatz finden Sie folgende Anzeige- und Bedienelemente:

- Kontrollleuchte zur Anzeige des Schaltzustandes (grün/rot)
- DIL-Schalter zur Empfindlichkeitsumschaltung
- Betriebsartenumschaltung zur Wahl des Schaltverhaltens (A/B)

3.4 Lagerung und Transport

Ihr Gerät wurde auf dem Weg zum Einsatzort durch eine Verpackung geschützt. Dabei sind die üblichen Transportbeanspruchungen durch eine Prüfung nach DIN EN 24180 abgesichert.

Bei Standardgeräten besteht die Verpackung aus Karton, ist umweltverträglich und wieder verwertbar. Der Messfühler kann zusätzlich mit einer Schutzkappe aus ABS versehen sein. Bei Sonderausführungen wird zusätzlich PE-Schaum oder PE-Folie verwendet. Entsorgen Sie das anfallende Verpackungsmaterial über spezialisierte Recyclingbetriebe.

Der Transport muss unter Berücksichtigung der Hinweise auf der Transportverpackung erfolgen. Nichtbeachtung kann Schäden am Gerät zur Folge haben.

Die Lieferung ist bei Erhalt unverzüglich auf Vollständigkeit und eventuelle Transportschäden zu untersuchen. Festgestellte Transportschäden oder verdeckte Mängel sind entsprechend zu behandeln.

Die Packstücke sind bis zur Montage verschlossen und unter Beachtung der außen angebrachten Aufstell- und Lagermarkierungen aufzubewahren.

Packstücke, sofern nicht anders angegeben, nur unter folgenden Bedingungen lagern:

- Nicht im Freien aufbewahren
 - Trocken und staubfrei lagern
 - Keinen aggressiven Medien aussetzen
 - Vor Sonneneinstrahlung schützen
 - Mechanische Erschütterungen vermeiden
- Lager- und Transporttemperatur siehe Kapitel "*Anhang - Technische Daten - Umgebungsbedingungen*"
 - Relative Luftfeuchte 20 ... 85 %

MAN 1000098256 ML Version: C Status: RL (released | freigegeben) printed: 22.09.2017

Verpackung

Transport

Transportinspektion

Lagerung

Lager- und Transporttemperatur

4 Montieren

4.1 Allgemeine Hinweise

Stellen Sie sicher, dass sämtliche, im Prozess befindlichen Teile des Gerätes, insbesondere Sensorelement, Prozessdichtung und Prozessanschluss für die auftretenden Prozessbedingungen geeignet sind. Dazu zählen insbesondere Prozessdruck, Prozesstemperatur sowie die chemischen Eigenschaften der Medien.

Die Angaben dazu finden Sie im Kapitel "*Technische Daten*" und auf dem Typschild.

Grundsätzlich kann der LEVEL SWITCH 8111 in jeder beliebigen Lage eingebaut werden. Das Gerät muss lediglich so montiert werden, dass sich die Schwinggabel auf Höhe des gewünschten Schaltpunktes befindet.

Die Schwinggabel hat seitlich Markierungen (Einkerbungen), die den Schaltpunkt bei senkrechtem Einbau kennzeichnen. Der Schaltpunkt bezieht sich auf das Füllgut Wasser bei Grundeinstellung des Dichteschalters $\geq 0,7 \text{ g/cm}^3$ (0.025 lbs/in^3). Achten Sie beim Einbau des LEVEL SWITCH 8111 darauf, dass sich diese Markierung auf der Höhe des gewünschten Schaltpunktes befindet. Beachten Sie, dass sich der Schaltpunkt des Gerätes verschiebt, wenn das Füllgut eine von Wasser abweichende Dichte hat - Wasser 1 g/cm^3 (0.036 lbs/in^3). Bei Füllgütern $< 0,7 \text{ g/cm}^3$ (0.025 lbs/in^3) und $> 0,5 \text{ g/cm}^3$ (0.018 lbs/in^3) ist der Dichteschalter auf $\geq 0,5 \text{ g/cm}^3$ einzustellen.

Eignung für die Prozessbedingungen

Schaltpunkt

MAN 1000098256 ML Version: C Status: RL (released für freigegeben) printed: 09.2017

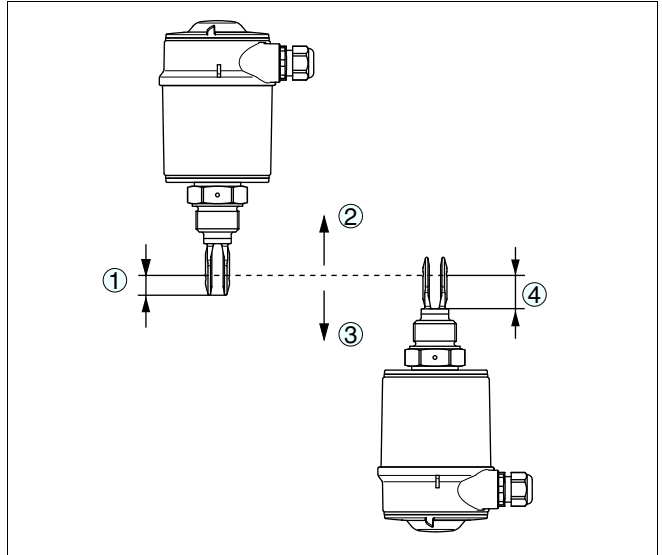


Abb. 2: Einbau senkrecht

- 1 Schaltpunkt ca. 13 mm (0.51 in)
- 2 Schaltpunkt bei geringerer Dichte
- 3 Schaltpunkt bei höherer Dichte
- 4 Schaltpunkt ca. 27 mm (1.06 in)

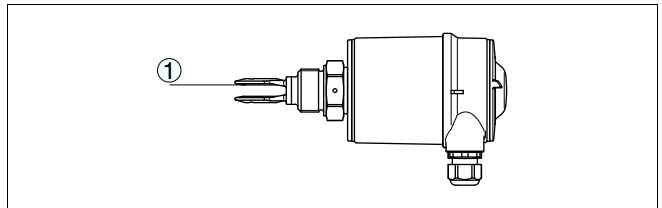


Abb. 3: Waagerechter Einbau

- 1 Schaltpunkt

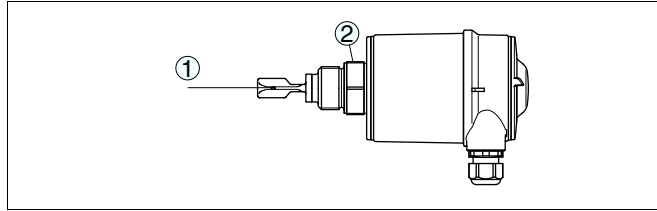


Abb. 4: Waagerechter Einbau (empfohlene Einbaulage, vor allem für anhaftende Füllgüter)

- 1 Schalterpunkt
- 2 Markierung bei Gewindeausführung oben, bei Flanschausführungen auf die Flanschbohrungen ausgerichtet

Bei Flanschausführungen ist die Gabel folgendermaßen auf die Flanschbohrungen ausgerichtet.

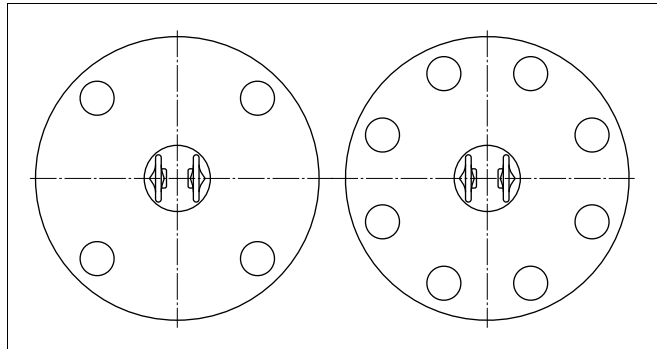


Abb. 5: Gabelstellung bei Flanschausführungen

Feuchtigkeit

Verwenden Sie die empfohlenen Kabel (siehe Kapitel "An die Spannungsversorgung anschließen") und ziehen Sie die Kabelverschraubung fest an.

Sie schützen Ihr Gerät zusätzlich gegen das Eindringen von Feuchtigkeit, indem Sie das Anschlusskabel vor der Kabelverschraubung nach unten führen. Regen- und Kondenswasser können so abtropfen. Dies gilt vor allem bei Montage im Freien, in Räumen, in denen mit Feuchtigkeit zu rechnen ist (z. B. durch Reinigungsprozesse) oder an gekühlten bzw. beheizten Behältern.

MAN 1000098256 ML Version: C Status: RL (released | freigegeben) printed: 22.09.2017

Transport

Druck/Vakuum

Handhabung

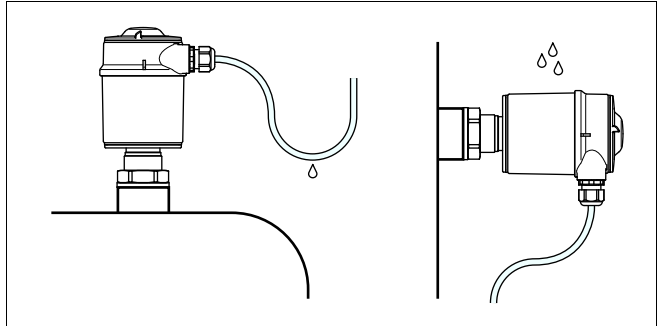


Abb. 6: Maßnahmen gegen das Eindringen von Feuchtigkeit



Vorsicht:

Halten Sie den LEVEL SWITCH 8111 nicht an der Schwinggabel. Insbesondere bei Flansch- oder Rohrversionen kann die Schwinggabel durch das Gerätegewicht beschädigt werden. Transportieren Sie beschichtete Geräte mit äußerster Vorsicht und vermeiden Sie Berührungen mit der Schwinggabel.

Entfernen Sie die Verpackung bzw. die Schutzkappe erst unmittelbar vor dem Einbau.

Bei Über- oder Unterdruck im Behälter müssen Sie den Prozessanschluss abdichten. Prüfen Sie vor dem Einsatz, ob das Dichtungsmaterial gegenüber dem Füllgut und der Prozesstemperatur beständig ist.

Den maximal zulässigen Druck können Sie dem Kapitel "Technische Daten" oder dem Typschild des Sensors entnehmen.

Der Vibrationsgrenzschalter ist ein Messgerät und muss entsprechend behandelt werden. Ein Verbiegen des Schwingelements führt zur Zerstörung des Gerätes.



Warnung:

Das Gehäuse darf nicht zum Einschrauben verwendet werden! Das Festziehen kann Schäden an der Drehmechanik des Gehäuses verursachen.

Verwenden Sie zum Einschrauben den Sechskant oberhalb des Gewindes.

Einschweißstutzen

4.2 Montagehinweise

Der LEVEL SWITCH 8111 hat einen definierten Gewindeanfang. Das bedeutet, dass sich jeder LEVEL SWITCH 8111 nach dem Einschrauben immer in derselben Gabelstellung befindet. Entfernen Sie deshalb die mitgelieferte Dichtung vom Gewinde des LEVEL SWITCH 8111. Diese Dichtung wird bei Verwendung des Einschweißstutzens mit vorne liegendem O-Ring nicht benötigt.

Beachten Sie, dass dieser Einschweißstutzen nicht für beschichtete Gerätevarianten geeignet ist.

Schrauben Sie den LEVEL SWITCH 8111 bis zum Anschlag in den Einschweißstutzen. Sie können die spätere Stellung schon vor dem Schweißen festlegen. Markieren Sie die entsprechende Stellung des Einschweißstutzens. Vor dem Einschweißen müssen Sie den LEVEL SWITCH 8111 herausschrauben und den Gummiring aus dem Einschweißstutzen herausnehmen. Der Einschweißstutzen ist mit einer Markierungskerbe versehen. Schweißen Sie den Einschweißstutzen mit der Markierung nach oben bzw. in Rohrleitungen (DN 32 bis DN 50) in Fließrichtung.

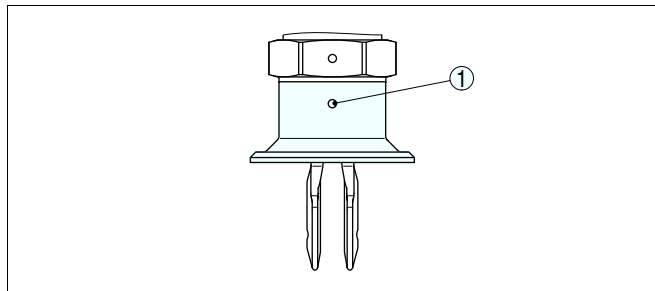


Abb. 7: Markierung am Einschweißstutzen

1 Markierung

Anhaftende Füllgüter

Bei horizontalem Einbau in anhaftenden und zähflüssigen Füllgütern sollten die Flächen der Schwinggabel möglichst senkrecht stehen, um Ablagerungen auf der Schwinggabel möglichst gering zu halten. Bei der Gewindeausführung ist eine Markierung auf dem Sechskant. Damit können Sie die Stellung der Schwinggabel beim Einschrauben kontrollieren. Wenn der Sechskant auf der Flachdichtung aufsitzt, kann das Gewinde noch ca. um eine halbe Umdrehung weitergedreht werden. Das genügt, um die empfohlene Einbaulage zu erreichen.

Bei Flanschausführungen ist die Gabel auf die Flanschbohrungen ausgerichtet.

Bei anhaftenden und zähflüssigen Füllgütern sollte die Schwinggabel möglichst frei in den Behälter ragen, um Ablagerungen zu verhindern. Vermeiden Sie deshalb bei horizontalem Einbau Stutzen für Flansche und Einschraubstutzen.

Einströmendes Füllgut

Wenn der LEVEL SWITCH 8111 im Befüllstrom eingebaut ist, kann dies zu unerwünschten Fehlmessungen führen. Montieren Sie den LEVEL SWITCH 8111 deshalb an einer Stelle im Behälter, wo keine störenden Einflüsse, wie z. B. von Befüllöffnungen, Rührwerken etc. auftreten können.

Störungen

Damit die Schwinggabel des LEVEL SWITCH 8111 bei Füllgutbewegungen möglichst wenig Widerstand bietet, sollten die Flächen der Schwinggabel parallel zur Füllgutbewegung stehen.

Maillierung

Behandeln Sie Geräte mit Email-Beschichtung besonders vorsichtig und vermeiden Sie harte Stöße oder Schläge. Nehmen Sie den LEVEL SWITCH 8111 erst unmittelbar vor dem Einbau aus der Verpackung. Führen Sie den LEVEL SWITCH 8111 vorsichtig in die vorgesehene Behälteröffnung ein und vermeiden Sie dabei jede Berührung mit scharfkantigen Behälterteilen.

MAN 1000098256 ML Version: C Status: RL (released | freigegeben) print: 22.09.2017

5 An die Spannungsversorgung anschließen

5.1 Anschluss vorbereiten

Sicherheitshinweise beachten

Beachten Sie grundsätzlich folgende Sicherheitshinweise:

- Nur in spannungslosem Zustand anschließen

Sicherheitshinweise für Ex-Anwendungen beachten



In explosionsgefährdeten Bereichen müssen die entsprechenden Vorschriften, Konformitäts- und Baumusterprüfbescheinigungen der Sensoren und der Versorgungsgeräte beachtet werden.

Spannungsversorgung

Schließen Sie die Betriebsspannung gemäß den nachfolgenden Anschlussbildern an. Beachten Sie dazu die allgemeinen Installationsvorschriften. Verbinden Sie den LEVEL SWITCH 8111 grundsätzlich mit der Behältererde (PA) bzw. bei Kunststoffbehältern mit dem nächstgelegenen Erdpotenzial. Seitlich am Gerätegehäuse befindet sich dazu eine Erdungsklemme zwischen den Kabelverschraubungen. Diese Verbindung dient zur Ableitung elektrostatischer Aufladungen. Bei Ex-Anwendungen müssen Sie übergeordnet die Errichtungsvorschriften für explosionsgefährdete Bereiche beachten.

Die Daten für die Spannungsversorgung finden Sie im Kapitel "*Technische Daten*".

Anschlusskabel

Das Gerät wird mit handelsüblichem zweiadrigem Kabel ohne Schirm angeschlossen. Falls elektromagnetische Einstrahlungen zu erwarten sind, die über den Prüfwerten der EN 61326 für industrielle Bereiche liegen, sollte abgeschirmtes Kabel verwendet werden.

Verwenden Sie Kabel mit rundem Querschnitt. Ein Kabelaußen-durchmesser von 5 ... 9 mm (0.2 ... 0.35 in) gewährleistet die Dichtwirkung der Kabelverschraubung. Wenn Sie Kabel mit anderem Durchmesser oder Querschnitt einsetzen, wechseln Sie die Dichtung oder verwenden Sie eine geeignete Kabelverschraubung.



Verwenden Sie für LEVEL SWITCH 8111 in explosionsgeschützten Bereichen nur zugelassene Kabelverschraubungen.

Anschlusskabel für Ex-Anwendungen



Bei Ex-Anwendungen sind die entsprechenden Errichtungsvorschriften zu beachten.

Verschließen Sie alle Gehäuseöffnungen normgerecht nach EN 60079-1.

5.2 Anschluss Schritte



Bei Ex-Geräten darf der Gehäusedeckel nur dann geöffnet werden, wenn keine explosionsfähige Atmosphäre vorhanden ist.

Gehen Sie wie folgt vor:

- 1 Gehäusedeckel abschrauben

MAN 1000098256 ML Version: C Status: RL (released | free for printing) 09.2017

Elektronik- und Anschlussraum

- 2 Überwurfmutter der Kabelverschraubung lösen
 - 3 Anschlusskabel ca. 10 cm (4 in) abmanteln, Aderenden ca. 1 cm (0.4 in) absolieren
 - 4 Kabel durch die Kabelverschraubung in den Sensor schieben
 - 5 Anschlussklemmen mit einem Schraubendreher öffnen
 - 6 Aderenden nach Anschlussplan in die offenen Klemmen stecken
 - 7 Anschlussklemmen mit einem Schraubendreher festziehen
 - 8 Korrekten Sitz der Leitungen in den Klemmen durch leichtes Ziehen prüfen
 - 9 Überwurfmutter der Kabelverschraubung fest anziehen. Der Dichtring muss das Kabel komplett umschließen
 - 10 Gehäusedeckel verschrauben
- Der elektrische Anschluss ist somit fertig gestellt.

5.3 Anschlussplan Einkammergehäuse

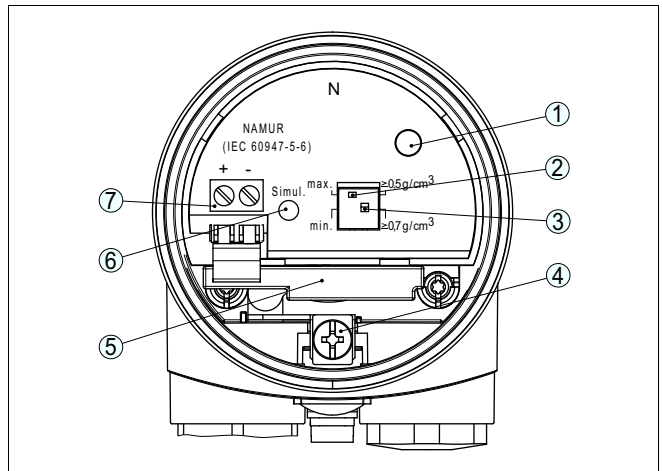


Abb. 8: Elektronik- und Anschlussraum Einkammergehäuse

- 1 Kontrollleuchte
- 2 DIL-Schalter zur Kennlinienumkehr
- 3 DIL-Schalter zur Empfindlichkeitsumschaltung
- 4 Erdungsklemme
- 5 EMV-Filterelement
- 6 Simulationstaste
- 7 Anschlussklemmen

Anschlussplan

Zum Anschluss an Trennverstärker nach NAMUR (IEC 60947-5-6, EN 50227). Weitere Informationen finden Sie im Kapitel "Technische Daten".

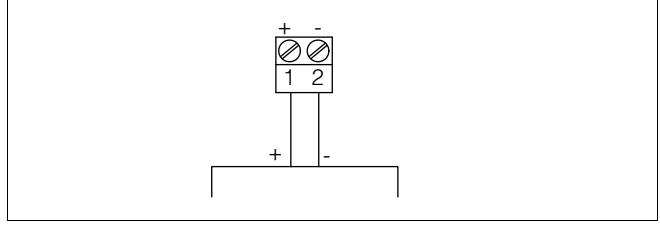


Abb. 9: Anschlussplan Einkammergehäuse

Funktion/Aufbau

6 In Betrieb nehmen

6.1 Allgemein

Die Zahlenangaben in Klammern beziehen sich auf die nachfolgenden Abbildungen.

Der Schaltzustand der Elektronik kann bei geschlossenem Gehäusedeckel kontrolliert werden (Kontrollleuchte). In der Grundeinstellung können Füllgüter mit Dichte > 0,7 g/cm³ (0.025 lbs/in³) detektiert werden. Bei Füllgütern mit niedrigerer Dichte müssen Sie den Schalter auf > 0,5 g/cm³ (0.018 lbs/in³) stellen.

Auf dem Elektronikeinsatz finden Sie folgende Anzeige- und Bedienelemente:

- Kontrollleuchte (1)
- DIL-Schalter zur Kennlinienumkehr - min./max. (2)
- DIL-Schalter zur Empfindlichkeitsumschaltung (3)
- Simulationstaste (4)



Hinweis:

Tauchen Sie die Schwinggabel des LEVEL SWITCH 8111 zu Testzwecken immer in Flüssigkeit. Testen Sie die Funktion des LEVEL SWITCH 8111 nicht mit der Hand. Dies kann zur Beschädigung des Sensors führen.

6.2 Bedienelemente

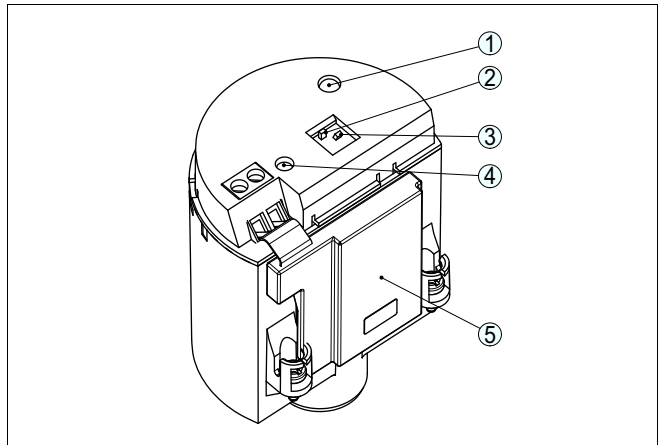


Abb. 10: Elektronikeinsatz SWE60N - NAMUR-Ausgang

- 1 Kontrollleuchte (LED)
- 2 DIL-Schalter zur Kennlinienumkehr
- 3 DIL-Schalter zur Empfindlichkeitsumschaltung
- 4 Simulationstaste
- 5 EMV-Filterelement

Kontrollleuchte (1)

Einfarbige Kontrollleuchte zur Anzeige des Schaltzustandes.

- Rot = High current $\geq 2,6$ mA
- Dunkel = Low current $\leq 0,6$ mA
- Rot (blinkt) = Störung $\leq 0,6$ mA

Kennlinienumkehr (2)

Mit dem DIL-Schalter können Sie die Kennlinie umkehren. Sie können zwischen fallender Kennlinie (Schalterstellung max.) und steigender Kennlinie (Schalterstellung min.) wählen. Sie können damit den gewünschten Strom ausgeben lassen.

Betriebsarten

- Min. - steigende Kennlinie (High current bei Bedeckung)
- Max. - fallende Kennlinie (Low current bei Bedeckung)

Der NAMUR-Ausgang ist umschaltbar auf fallende oder steigende Kennlinie (siehe auch "*Funktionstabelle*").

Bei Anwendungen gemäß WHG muss der DIL-Schalter auf Position max. stehen.

Empfindlichkeitsumschaltung (3)

Mit diesem DIL-Schalter (3) können Sie den Schaltpunkt auf Flüssigkeiten einstellen, die eine Dichte zwischen $0,5$ und $0,7$ g/cm³ ($0,018$ und $0,025$ lbs/in³) haben. In der Grundeinstellung können Flüssigkeiten mit Dichte $> 0,7$ g/cm³ ($0,025$ lbs/in³) detektiert werden. Bei Füllgütern mit niedrigerer Dichte müssen Sie den Schalter auf $> 0,5$ g/cm³ ($0,018$ lbs/in³) stellen. Die Angaben zur Lage des Schaltpunktes beziehen sich auf das Füllgut Wasser - Dichtewert 1 g/cm³ ($0,036$ lbs/in³). Bei Medien mit abweichender Dichte verschiebt sich dieser Schaltpunkt abhängig von Dichte und Einbauart in Richtung Gehäuse oder Schwinggabelende.



Hinweis:

Beachten Sie, dass Schäume mit einer Dichte $> 0,45$ g/cm³ ($0,016$ lbs/in³) vom Sensor detektiert werden. Dies kann vor allem beim Einsatz als Trockenlaufschutz zu Fehlschaltungen führen.

Simulationstaste (4)

Die Simulationstaste ist auf der Oberseite des Elektronikeinsatzes versenkt angebracht. Drücken Sie die Simulationstaste mit einem geeigneten Gegenstand (Schraubendreher, Kugelschreiber, etc.).

Bei Betätigung wird eine Leitungsunterbrechung zwischen Sensor und Auswerteinheit simuliert. Am Sensor erlischt die Kontrollleuchte. Die Messanordnung muss bei Betätigung eine Störung melden und in den sicheren Zustand gehen.

Beachten Sie, dass die nachgeschalteten Geräte während der Betätigung aktiviert sind. Damit können Sie die korrekte Funktion der Messeinrichtung kontrollieren.

6.3 Funktionstabelle

Die folgende Tabelle gibt eine Übersicht über die Schaltzustände in Abhängigkeit von der eingestellten Betriebsart und dem Füllstand.



Hinweis:

Die Betriebsarteneinstellung am NAMUR-Trennschaltverstärker ist so zu wählen, dass der Schaltausgang bei Störmeldung ($I \leq 0,6 \text{ mA}$) in die sichere Lage geht.

	Füllstand	Signalstrom - Sensor	Kontrollleuchte
Fallende Kennlinie max.		$\geq 2,6 \text{ mA}$	
Fallende Kennlinie max.		$\leq 0,6 \text{ mA}$	
Steigende Kennlinie min.		$\geq 2,6 \text{ mA}$	
Steigende Kennlinie min.		$\leq 0,6 \text{ mA}$	
Störung	beliebig	$\leq 0,6 \text{ mA}$	 blinkt

7 Instandhalten und Störungen beseitigen

7.1 Wartung

Bei bestimmungsgemäßer Verwendung ist im Normalbetrieb keine besondere Wartung erforderlich.

7.2 Störungen beseitigen

Verhalten bei Störungen

Es liegt in der Verantwortung des Anlagenbetreibers, geeignete Maßnahmen zur Beseitigung aufgetretener Störungen zu ergreifen.

Störungsursachen

Der LEVEL SWITCH 8111 bietet Ihnen ein Höchstmaß an Funktionssicherheit. Dennoch können während des Betriebes Störungen auftreten. Diese können z. B. folgende Ursachen haben:

- Sensor
- Prozess
- Spannungsversorgung
- Signalauswertung

Störungsbeseitigung

Die erste Maßnahme ist die Überprüfung des Ausgangssignals. In vielen Fällen lassen sich die Ursachen auf diesem Wege feststellen und die Störungen so beseitigen.

Schaltsignal überprüfen

Fehler	Ursache	Beseitigung
Der LEVEL SWITCH 8111 meldet bedeckt ohne Füllgutbedeckung (Überfüllsicherung) Der LEVEL SWITCH 8111 meldet unbedeckt mit Füllgutbedeckung (Trockenlaufschutz)	Betriebsspannung zu niedrig	Betriebsspannung prüfen
	Elektronik defekt	Kennlinienumschalter betätigen. Wenn das Gerät daraufhin umschaltet, kann das Schwingelement mit Anhaftungen bedeckt oder mechanisch beschädigt sein. Sollte die Schaltfunktion auf der korrekten Betriebsart wieder fehlerhaft sein, senden Sie das Gerät zur Reparatur ein.
		Kennlinienumschalter betätigen. Wenn das Gerät daraufhin nicht umschaltet, ist der Elektronikeinsatz defekt. Elektronikeinsatz tauschen.
	Einbauort ungünstig	Gerät an einer Stelle einbauen, an der sich keine Toträume oder Luftblasen im Behälter bilden können.
Anhaftungen am Schwingelement	Kontrollieren Sie das Schwingelement und den Stutzen auf eventuelle Anhaftungen und entfernen Sie diese.	

Verhalten nach Störungsbeseitigung

Fehler	Ursache	Beseitigung
	Falsche Kennlinie gewährt	Korrekte Kennlinie am Kennlinienumschalterschalter einstellen (Überlaufschutz, Trockenlaufschutz). Die Verkabelung sollte nach dem Ruhestromprinzip ausgeführt werden.
Kontrollleuchte blinkt rot	Fehler am Schwingelement	Kontrollieren Sie, ob das Schwingelement beschädigt oder stark korrodiert ist.
	Störung an der Elektronik	Elektronikeinsatz tauschen
	Gerät defekt	Gerät austauschen bzw. zur Reparatur einsenden

Je nach Störungsursache und getroffenen Maßnahmen sind ggf. die im Kapitel "In Betrieb nehmen" beschriebenen Handlungsschritte erneut zu durchlaufen.

7.3 Elektronik austauschen

Bei einem Defekt kann der Elektronikeinsatz durch den Anwender getauscht werden.



Bei Ex-Anwendungen darf nur ein Elektronikeinsatz mit entsprechender Ex-Zulassung eingesetzt werden.

Alle Informationen zum Elektronikaustausch finden Sie in der Betriebsanleitung des neuen Elektronikeinsatzes.

Generell können alle Elektronikeinsätze der Typenreihe SW60 untereinander getauscht werden. Falls Sie einen Elektronikeinsatz mit einem anderen Signalausgang verwenden wollen, müssen Sie die komplette Inbetriebnahme durchführen. Die dazu notwendige, passende Betriebsanleitung finden Sie auf unserer Homepage.



Hinweis:

Beachten Sie, dass emaillierte Geräteausführungen spezielle Elektronikeinsätze benötigen. Diese Elektronikeinsätze haben die Bezeichnung SW60E oder SW60E1.

8 Ausbauen

8.1 Ausbauschritte



Warnung:

Achten Sie vor dem Ausbauen auf gefährliche Prozessbedingungen wie z. B. Druck im Behälter, hohe Temperaturen, aggressive oder toxische Füllgüter etc.

Beachten Sie die Kapitel "*Montage*" und "*An die Spannungsversorgung anschließen*" und führen Sie die dort angegebenen Schritte sinngemäß umgekehrt durch.



Bei Ex-Geräten darf der Gehäusedeckel nur dann geöffnet werden, wenn keine explosionsfähige Atmosphäre vorhanden ist.

8.2 Entsorgen

Das Gerät besteht aus Werkstoffen, die von darauf spezialisierten Recyclingbetrieben wieder verwertet werden können. Wir haben hierzu die Elektronik leicht trennbar gestaltet und verwenden recyclebare Werkstoffe.

WEEE-Richtlinie 2002/96/EG

Das vorliegende Gerät unterliegt nicht der WEEE-Richtlinie 2002/96/EG und den entsprechenden nationalen Gesetzen. Führen Sie das Gerät direkt einem spezialisierten Recyclingbetrieb zu und nutzen Sie dafür nicht die kommunalen Sammelstellen. Diese dürfen nur für privat genutzte Produkte gemäß WEEE-Richtlinie genutzt werden.

Eine fachgerechte Entsorgung vermeidet negative Auswirkungen auf Mensch und Umwelt und ermöglicht eine Wiederverwendung von wertvollen Rohstoffen.

Werkstoffe: siehe Kapitel "*Technische Daten*"

Sollten Sie keine Möglichkeit haben, das Altgerät fachgerecht zu entsorgen, so sprechen Sie mit uns über Rücknahme und Entsorgung.

9 Anhang

9.1 Technische Daten

Allgemeine Daten

Werkstoff	316L entspricht 1.4404 oder 1.4435
Werkstoffe, medienberührt	
Prozessanschluss - Gewinde	316L, Hastelloy C22 (2.4602)
Prozessanschluss - Flansch	316L, 316L mit Hastelloy C22 plattiert, Stahl emailliert, 316L mit ECTFE beschichtet, 316L mit PFA beschichtet
Prozessdichtung	Klingsil C-4400
Schwinggabel	316L, Hastelloy C22 (2.4602)
Sensorenlänge	
Länge LEVEL SWITCH 8111	Siehe Kapitel "Maße"
Werkstoffe, nicht medienberührt	
Gehäuse	Kunststoff PBT (Polyester)
Dichtung zwischen Gehäuse und Gehäusedeckel	EPDM
Erdungsklemme	316L
Temperaturzwischenstück (optional)	316L
Gasdichte Durchführung (optional)	316L/Glas
Gewicht	
Kunststoffgehäuse	ca. 850 g (30 oz)
Schichtdicke	
Email	ca. 0,8 mm (0.031 in)
ECTFE	ca. 0,5 mm (0.02 in)
PFA	ca. 0,5 mm (0.02 in)
Oberflächengüte	
Standard	R _a ca. 3 µm (1.18 ⁻⁴ in)
Lebensmittelausführung (3A)	R _a < 0,8 µm (3.15 ⁻⁵ in)
Lebensmittelausführung (3A)	R _a < 0,3 µm (1.18 ⁻⁵ in)
Prozessanschlüsse	
Rohrgewinde, zylindrisch (DIN 3852-A)	G ³ / ₄ A, G1 A
Amerikan. Rohrgewinde, kegelig (ASME B1.20.1)	³ / ₄ NPT oder 1 NPT
Flansche	DIN ab DN 25, ANSI ab 1"
Lebensmittelgeeignete Anschlüsse	Rohrverschraubung DN 40 PN 40, Clamp 1" DIN 32676 ISO 2852/316L, Clamp 1½" PN10 DIN 32676 ISO 2852/316L, Konus DN 25 PN 40, Tuchenhagen Varivent DN 50 PN 10
Max. Anzugsmoment - Prozessanschluss	

– Gewinde G $\frac{3}{4}$ A, $\frac{3}{4}$ NPT	75 Nm (55 lbf ft)
– Gewinde G1 A, 1 NPT	100 Nm (73 lbf ft)
Hochspannungsprüfung (Email)	max. 5 KV
Gasdichte Durchführung (optional)	
– Leckrate	$< 10^{-6}$ mbar l/s
– Druckfestigkeit	PN 64

Ausgangsgröße

Ausgang	Zweileiter-NAMUR-Ausgang
Stromaufnahme	
– Kennlinie fallend	$\geq 2,6$ mA unbedeckt/ $\leq 0,6$ mA bedeckt
– Kennlinie steigend	$\leq 0,6$ mA unbedeckt/ $\geq 2,6$ mA bedeckt
– Störmeldung	$\leq 0,6$ mA
Erforderliches Auswertsystem	NAMUR-Auswertsystem nach IEC 60947-5-6 (EN 50227/DIN 19234)
Betriebsarten (NAMUR-Ausgang umschaltbar auf fallende oder steigende Kennlinie)	
– Min.	steigende Kennlinie (High current bei Bedeckung)
– Max.	fallende Kennlinie (Low current bei Bedeckung)

Messgenauigkeit

Messabweichung	± 1 mm (0.04 in)
----------------	----------------------

 MAN 1000098256 M...
 Version: C...
 Status: R...
 (rel.)
 Freigegeben
 22.09.2010
 printed

Einfluss der Prozesstemperatur auf den Schaltpunkt

MAN 1000096256-ML-Status: RL (released | freigegeben) printed: 22-09-2017

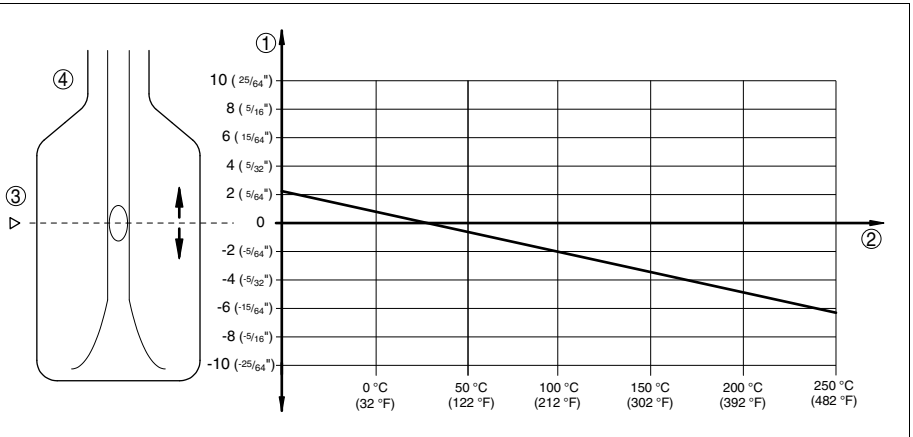


Abb. 20: Einfluss der Prozesstemperatur auf den Schaltpunkt

- 1 Verschiebung des Schaltpunktes in mm (in)
- 2 Prozesstemperatur in °C (°F)
- 3 Schaltpunkt bei Referenzbedingungen (Einkerbung)
- 4 Schwinggabel

Einfluss der Füllgutedichte auf den Schaltpunkt

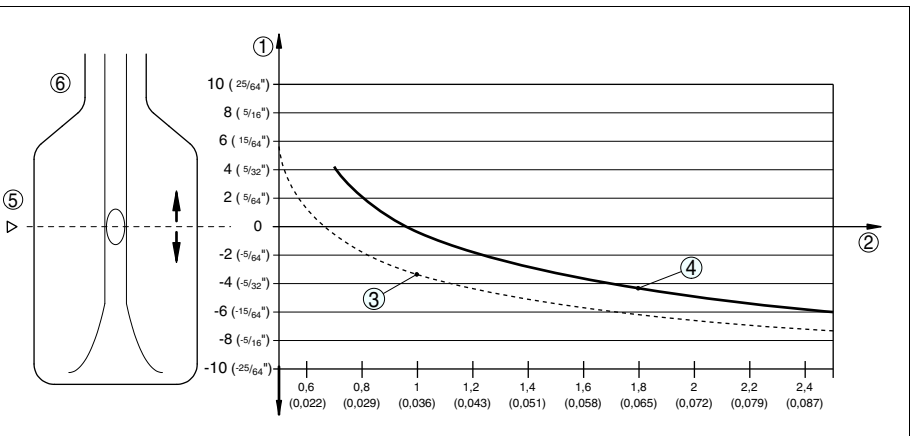


Abb. 21: Einfluss der Füllgutedichte auf den Schaltpunkt

- 1 Verschiebung des Schaltpunktes in mm (in)
- 2 Füllgutedichte in g/cm³ (lb/in³)
- 3 Schalterstellung 0,5 g/cm³ (0.018 lb/in³)
- 4 Schalterstellung 0,7 g/cm³ (0.025 lb/in³)
- 5 Schaltpunkt bei Referenzbedingungen (Einkerbung)
- 6 Schwinggabel

32048-DE-120412

Einfluss des Prozessdrucks auf den Schaltpunkt

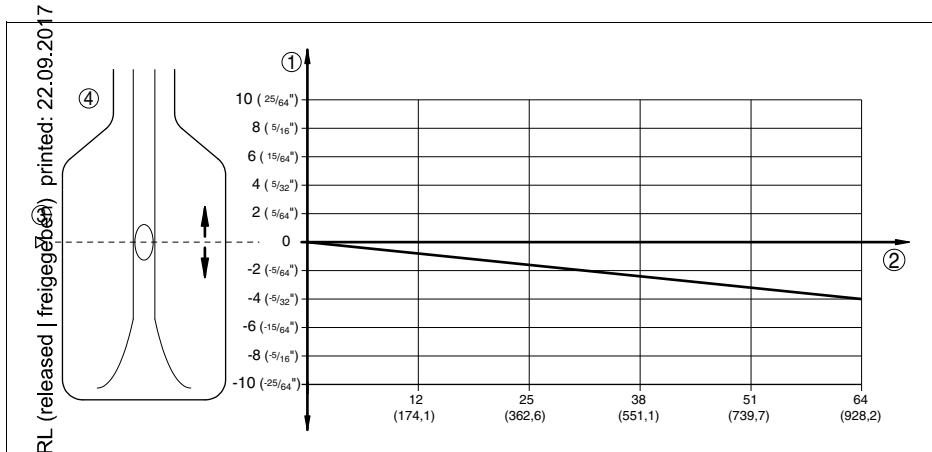


Abb. 22: Einfluss des Prozessdrucks auf den Schaltpunkt

- 1 Verschiebung des Schaltpunktes in mm (in)
- 2 Prozessdruck in bar (psig)
- 3 Schaltpunkt bei Referenzbedingungen (Einkerbung)
- 4 Schwinggabel

Wiederholbarkeit	0,1 mm (0.004 in)
Hysterese	ca. 2 mm (0.08 in) bei senkrechtem Einbau
Schaltverzögerung	ca. 500 ms (ein/aus)
Messfrequenz	ca. 1200 Hz

Umgebungsbedingungen

Umgebungstemperatur am Gehäuse	-40 ... +70 °C (-40 ... +158 °F)
Lager- und Transporttemperatur	-40 ... +80 °C (-40 ... +176 °F)

Prozessbedingungen

Messgröße	Grenzstand von Flüssigkeiten
Prozessdruck	-1 ... 64 bar/-100 ... 6400 kPa (-14.5 ... 928 psig) abhängig vom Prozessanschluss, z. B. Flansch (siehe folgende Diagramme)
Prozesstemperatur (Gewinde- bzw. Flanshtemperatur)	
- LEVEL SWITCH 8111 aus 316L/Hastelloy C22 (2.4602)	-50 ... +150 °C (-58 ... +302 °F)
Prozesstemperatur (Gewinde- bzw. Flanshtemperatur) mit Temperaturzwischenstück (optional)	

MAN 1000096256-ML Version: C Status: RL (released / freigegeben) printed: 22.09.2017

- LEVEL SWITCH 8111 aus 316L/Hastelloy C22 (2.4602) -50 ... +250 °C (-58 ... +482 °F)
- LEVEL SWITCH 8111 emailiert -50 ... +200 °C (-58 ... +392 °F)
- LEVEL SWITCH 8111 mit ECTFE beschichtet -50 ... +150 °C (-58 ... +302 °F)
- LEVEL SWITCH 8111 mit PFA beschichtet -50 ... +150 °C (-58 ... +302 °F)

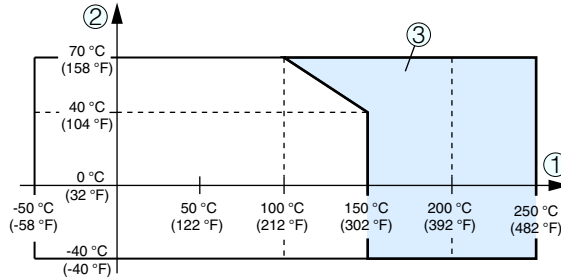


Abb. 23: Umgebungstemperatur - Prozesstemperatur

Prozesstemperatur in °C (°F)

Umgebungstemperatur in °C (°F)

Temperaturbereich mit Temperaturzwischenstück

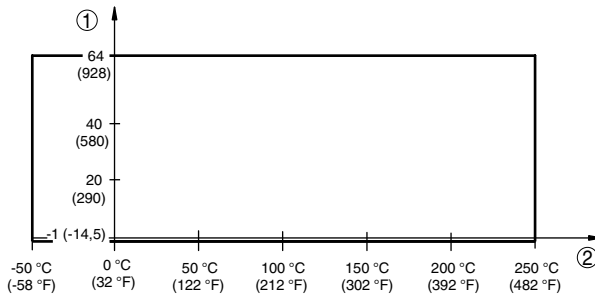


Abb. 24: Prozesstemperatur - Prozessdruck bei Schalterstellung 0,7 g/cm³ (Empfindlichkeitsumschalter)

1 Prozessdruck in bar (psig)

2 Prozesstemperatur in °C (°F)

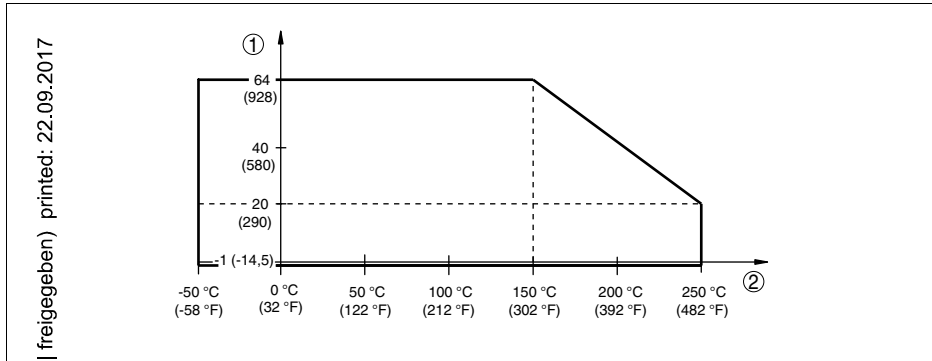


Abbildung 25: Prozesstemperatur - Prozessdruck bei Schalterstellung 0,5 g/cm³ (Empfindlichkeitsumschalter)

- 1 Prozessdruck in bar (psig)
2 Prozesstemperatur in °C (°F)

Viskosität - dynamisch

0,1 ... 10.000 mPa s (Voraussetzung: bei Dichte 1)

Fließgeschwindigkeit

max. 6 m/s (bei einer Viskosität von 1 mPa s

Dichte

0,7 ... 2,5 g/cm³ (0.025 ... 0.09 lbs/in³); 0,5 ... 2,5 g/cm³ (0.018 ... 0.09 lbs/in³) durch Umschalten

Elektrische Schutzmaßnahmen

Schutzart	IP 66/IP 67
Überspannungskategorie	III
Schutzklasse	II

Bedienelemente

Betriebsartenschalter

- Min. steigende Kennlinie (High current bei Bedeckung)
- Max. fallende Kennlinie (Low current bei Bedeckung)

Empfindlichkeits-Umschalter

- 0,5 0,5 ... 2,5 g/cm³ (0.018 ... 0.9 oz/in³)
- 0,7 0,7 ... 2,5 g/cm³ (0.025 ... 0.9 oz/in³)

Testtaste

Simulation einer Leitungsunterbrechung zwischen Sensor und Auswerteinheit

Spannungsversorgung

Betriebsspannung (Kennlinie in Norm)	Zum Anschluss an Trennverstärker nach NAMUR IEC 60947-5-6, ca. 8,2 V
Leerlaufspannung	U ₀ ca. 8,2 V
Kurzschlussstrom	I ₀ ca. 8,2 mA

Elektrische Schutzmaßnahmen

Schutzart		
Kunststoffgehäuse		IP 66/IP 67
Aluminium- und Edelstahlgehäuse Standard		IP 66/IP 68 (0,2 bar) ¹⁾
Aluminium- und Edelstahlgehäuse (optional)		IP 66/IP 68 (1 bar)
Überspannungskategorie		III
Schutzklasse		II

MAN 1000098256 ML Version: C Status: RL (released | freigegeben) printed: 22.09.2017

¹⁾ Voraussetzung für die Einhaltung der Schutzart ist das passende Kabel.

9.2 Maße

LEVEL SWITCH 8111

MAN 1000098256 ML Version: C Status: C Statu: RL (released | freigegeben) printed: 22.09.2017

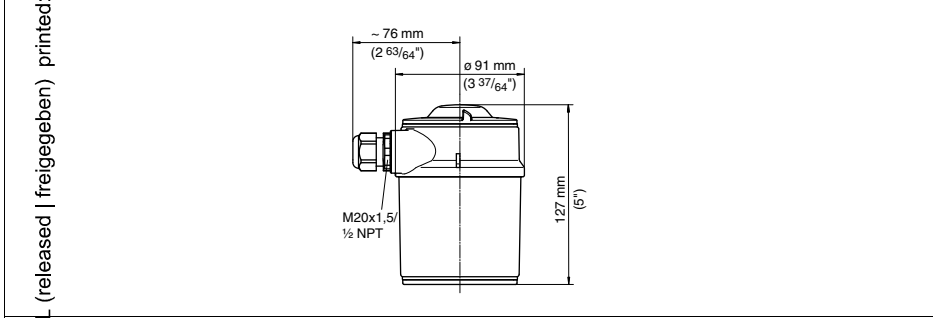


Abbildung 26: Gehäuse

LEVEL SWITCH 8111

1000096256-ML-Version: C-Status: RL (released | freigegeben) printed: 22-09-2017

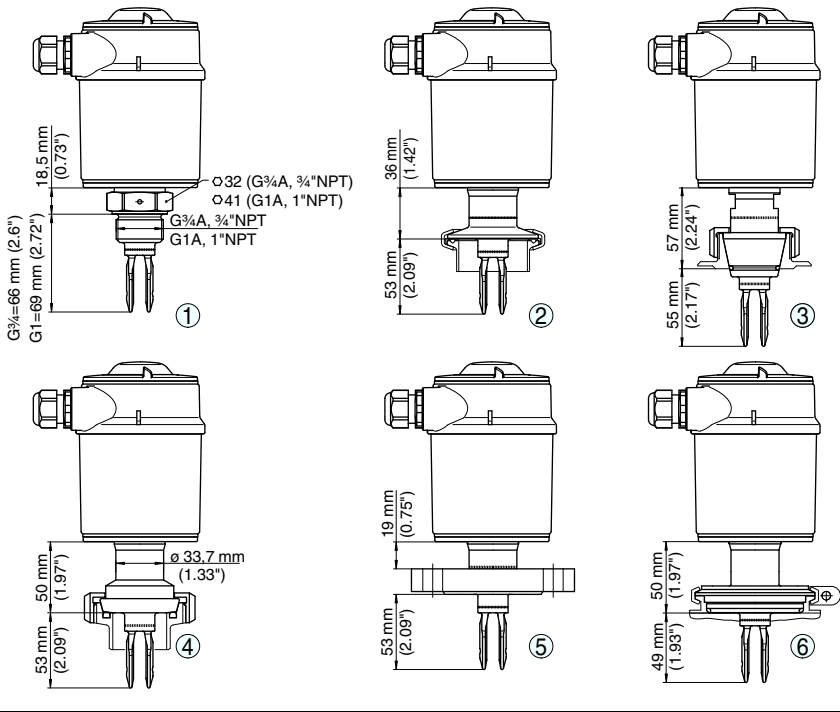


Abb. 27: LEVEL SWITCH 8111

- 1 Einschraubgewinde
- 2 Clamp
- 3 Konus DN 25
- 4 Rohrverschraubung DN 40
- 5 Flansch
- 6 Gasdichte Durchführung
- 7 Temperaturzwischenstück

LEVEL SWITCH 8111 - Optionen

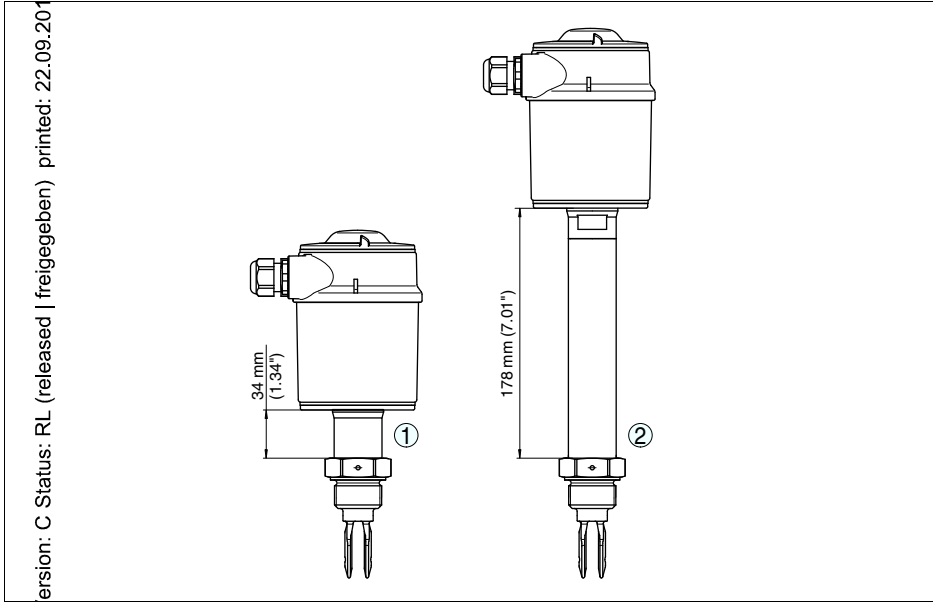


Abb. 28: Optionen

- 1 Gasdichte Durchführung
- 2 Temperaturzwischenstück

MAN 100009825

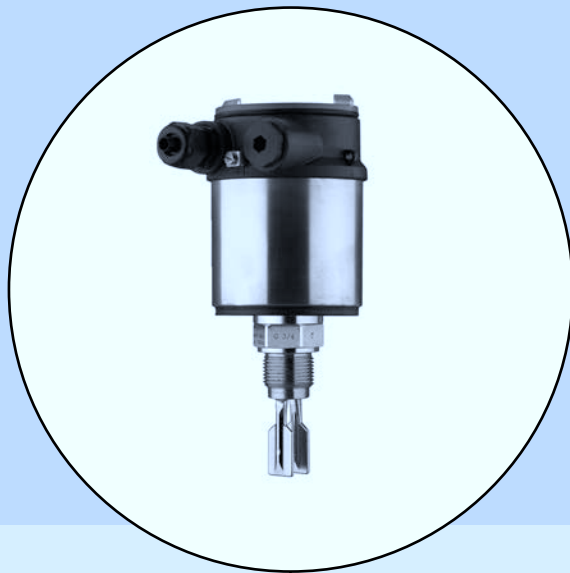
MAN 1000098256 ML Version: C Status: RL (released | freigegeben) printed: 22.09.2017

The smart choice
of Fluid Control Systems
www.buerkert.com


FLUID CONTROL SYSTEMS

32048-DE-120412

Mise en service



LEVEL SWITCH 8111

avec sortie NAMUR

Table des matières

1	À propos de ce document	
1.1	Fonction.	4
1.2	Personnes concernées.	4
1.3	Symbolique utilisée.	4
2	Pour votre sécurité	
2.1	Personnel autorisé.	5
2.2	Utilisation appropriée.	5
2.3	Avertissement en cas de fausse manipulation.	5
2.4	Consignes de sécurité générales.	5
2.5	Caractéristiques de sécurité sur l'appareil.	6
2.6	Conformité CE.	6
2.7	Conformité SIL.	6
2.8	Consignes de sécurité pour atmosphères Ex.	6
3	Description du produit	
3.1	Structure.	7
3.2	Procédé de fonctionnement.	8
3.3	Réglage.	9
3.4	Stockage et transport.	9
4	Montage	
4.1	Remarques générales.	11
4.2	Consignes de montage.	15
5	Raccordement à l'alimentation de tension	
5.1	Préparation du raccordement.	17
5.2	Étapes de raccordement.	17
5.3	Schéma de raccordement boîtier à chambre unique.	18
6	Mise en service	
6.1	Généralités.	20
6.2	Éléments de réglage.	21
6.3	Tableau de fonctionnement.	22
7	Maintenance et élimination des défauts	
7.1	Maintenance.	24
7.2	Éliminer des défauts.	24
7.3	Remplacer l'électronique.	25
8	Démonter	
8.1	Étapes de démontage.	26
8.2	Recyclage.	26
9	Annexe	
9.1	Caractéristiques techniques.	27
9.2	Encombrement.	34

**Information:**

Suivant la version commandée, une documentation complémentaire fera partie de la livraison. Elle vous sera indiquée au chapitre "*Description du produit*".

Manuels d'instructions pour accessoires et pièces de rechange**Indication:**

Pour une application et un fonctionnement sûrs de votre LEVEL SWITCH 8111, nous vous proposons des accessoires et pièces de rechange dont voici les documentations :

- Notice de mise en service "*Préamplificateur LEVEL SWITCH 8111/8112*"

Date de rédaction : 12/04/2012

1 À propos de ce document

1.1 Fonction

La présente notice technique contient les informations nécessaires vous permettant un montage, un raccordement et une mise en service de l'appareil ainsi que des remarques importantes concernant l'entretien et l'élimination des défauts. Il est donc important de la lire avant d'effectuer la mise en service et de la conserver près de l'appareil, accessible à tout moment comme partie intégrante du produit.

1.2 Personnes concernées

Cette notice technique s'adresse à un personnel spécialisé et qualifié. Ces spécialistes doivent avoir connaissance de son contenu et le mettre en pratique.

1.3 Symbolique utilisée



Informations, conseil, remarques

Sous ce symbole, vous trouverez des informations complémentaires très utiles.



Prudence : Le non-respect de cette recommandation peut entraîner des pannes ou des défauts de fonctionnement.

Avertissement : Le non-respect de cette instruction peut porter préjudice à la personne manipulant l'appareil et/ou peut entraîner de graves dommages à l'appareil.

Danger : Le non-respect de cet avertissement peut entraîner des blessures sérieuses à la personne manipulant l'appareil et/ou peut détruire l'appareil.



Applications Ex

Vous trouverez à la suite de ce symbole des remarques particulières concernant les applications Ex.



Liste

Ce point précède une énumération dont l'ordre chronologique n'est pas obligatoire.



Étape de déroulement d'une action

Cette flèche indique l'étape de déroulement d'une action.



Chronologie de déroulement d'une action

Le déroulement d'une action est numéroté dans son ordre chronologique.

2 Pour votre sécurité

2.1 Personnel autorisé

Toutes les manipulations sur l'appareil indiquées dans cette notice ne doivent être effectuées que par du personnel qualifié, spécialisé et autorisé par l'exploitant de l'installation.

Porter toujours l'équipement de protection personnel nécessaire en travaillant avec l'appareil.

2.2 Utilisation appropriée

Le LEVEL SWITCH 8111 est un appareil destiné à la détection de niveau.

Vous trouverez des informations plus détaillées concernant le domaine d'application au chapitre "*Description du produit*".

La sécurité de fonctionnement n'est seulement assurée qu'à condition d'un usage conforme de l'appareil en respectant les indications stipulées dans le manuel de mise en service et dans d'éventuelles notices complémentaires.

Pour des raisons de sécurité et de garantie, toute intervention sur l'appareil en dehors des manipulations indiquées dans le manuel de mise en service est strictement réservée à des personnes autorisées par le fabricant de l'appareil. Il est explicitement interdit de procéder de son propre chef à des transformations ou modifications sur l'appareil.

2.3 Avertissement en cas de fausse manipulation

En cas d'usage non conforme ou non approprié, il peut émaner de l'appareil des risques spécifiques à l'application. Un montage incorrect ou un réglage erroné peut entraîner par exemple un débordement de cuve ou des dégâts dans les composants de l'installation.

2.4 Consignes de sécurité générales

L'appareil correspond au standard technologique actuel et respecte les règlements et directives usuels. L'utilisateur doit suivre scrupuleusement les consignes de sécurité de cette notice, les standards d'installation spécifiques au pays concerné ainsi que les dispositions de sécurité et règles de préventions d'accidents en vigueur.

L'appareil ne doit fonctionner que dans un état technique impeccable et sûr. L'exploitant est responsable d'un fonctionnement sans perturbation de l'appareil.

Pendant toute la durée d'exploitation de l'appareil, l'exploitant doit en plus vérifier que les mesures nécessaires de sécurité du travail concordent avec les normes actuelles en vigueur et que les nouvelles réglementations y sont incluses et respectées.

2.5 Caractéristiques de sécurité sur l'appareil

Les caractéristiques et remarques de sécurité se trouvant sur l'appareil sont à respecter.

2.6 Conformité CE

Cet appareil satisfait aux exigences légales des directives respectives de la CE. Avec le marquage CE, nous confirmons que le contrôle a été effectué avec succès.

2.7 Conformité SIL

Le LEVEL SWITCH 8111 satisfait aux exigences relatives à la sécurité fonctionnelle selon IEC 61508 et IEC 61511. Vous trouverez de plus amples informations dans le Safety Manual "*LEVEL SWITCH*".

2.8 Consignes de sécurité pour atmosphères Ex

Respectez les consignes de sécurité spécifiques pour les applications Ex. Celles-ci font partie intégrale du manuel de mise en service et sont jointes avec agrément Ex à la livraison de chaque appareil Ex.

3 Description du produit

3.1 Structure

Compris à la livraison

La livraison comprend :

- Détecteur de niveau LEVEL SWITCH 8111
- Documentation
 - Ce manuel de mise en service
 - Safety Manual "*Sécurité fonctionnelle selon IEC 61508 ou IEC 61511 (SIL)*"
 - Les "*Consignes de sécurité*" spécifiques Ex (pour les versions Ex)
 - Le cas échéant d'autres certificats

Composants

Le LEVEL SWITCH 8111 est composé des éléments suivants :

- Couvercle de boîtier
- Boîtier avec électronique
- Raccord process avec lames vibrantes

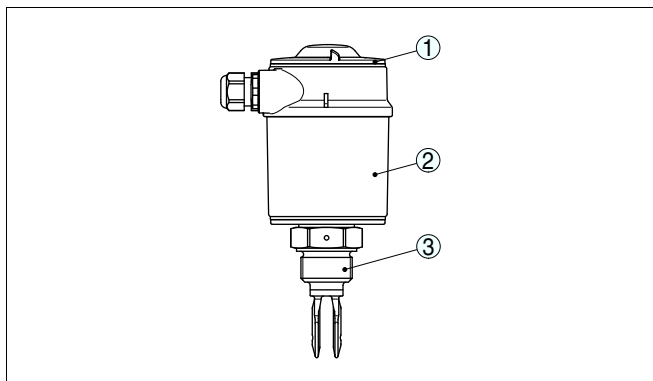


Fig. 1: LEVEL SWITCH 8111

- 1 Couvercle de boîtier
- 2 Boîtier avec électronique
- 3 Raccord process

Plaque signalétique

La plaque signalétique contient les informations les plus importantes servant à l'identification et à l'utilisation de l'appareil :

- Numéro d'article
- Numéro de série
- Caractéristiques techniques
- Numéros d'articles documentation

En plus de la plaque signalétique se trouvant à l'extérieur de l'appareil, vous trouverez également un numéro de série à l'intérieur de l'appareil.

Domaine d'application

3.2 Procédé de fonctionnement

Le LEVEL SWITCH 8111 est un détecteur de niveau à lames vibrantes destiné à la détection de niveau.

Il est conçu pour les applications industrielles dans tous les secteurs de la technique des procédés et peut être utilisé dans les liquides.

Des applications classiques sont la protection antidébordement et contre la marche à vide. Grâce à ses lames très courtes de 40 mm seulement, le détecteur LEVEL SWITCH 8111 peut être installé par exemple sur des tuyauteries à partir d'un diamètre nominal de DN 32. Les petites lames vibrantes permettent une application sur des réservoirs, cuves ou sur tuyauteries. Grâce à son système de mesure simple et robuste, on peut utiliser le détecteur LEVEL SWITCH 8111 quasi indépendamment des propriétés chimiques et physiques du liquide à mesurer.

Il fonctionne également dans des conditions de mesure difficiles telles que turbulences, bulles d'air, formation de mousse, colmatages, fortes vibrations environnantes ou variations de produits.

Autosurveillance

Le préamplificateur de l'appareil LEVEL SWITCH 8111 contrôle de façon continue par le biais de son exploitation de fréquence les critères suivants :

- une corrosion importante ou une détérioration des lames vibrantes
- Arrêt de vibration
- Une rupture de ligne aux éléments piézo

Si le détecteur reconnaît une panne de fonctionnement ou dans le cas d'une panne de tension d'alimentation, l'électronique passe à un état de sortie défini (état de sécurité positive).

Principe de fonctionnement

Les lames vibrantes sont excitées par des éléments piézo-électriques et oscillent sur leur fréquence de résonance mécanique de 1200 Hz. Ces éléments piézo ont une fixation mécanique, c'est pourquoi ils résistent aux chocs de température. Le recouvrement des lames par le produit entraîne une variation de fréquence. Celle-ci est détectée par l'étage électronique intégré puis convertie en un ordre de commutation.

Alimentation en tension

Le LEVEL SWITCH 8111 est un appareil compact, c'est à dire qu'il peut fonctionner sans exploitation externe. L'électronique intégrée exploite le signal niveau et délivre un signal de commutation qui vous permet d'enclencher directement un appareil asservi en aval (p.ex. un système d'avertissement, une pompe, etc.).

Vous trouverez les données concernant l'alimentation de tension au chapitre "*Caractéristiques techniques*".

Emballage

Transport

Inspection de transport

Stockage

Température de stockage et de transport

3.3 Réglage

Vous pouvez contrôler l'état de commutation du détecteur LEVEL SWITCH 8111 le boîtier étant fermé (témoin de contrôle). En réglage de base, vous pouvez détecter des produits dont la densité est $> 0,7 \text{ g/cm}^3$ (0.025 lbs/in^3). Vous pouvez adapter l'appareil si votre produit a une densité plus basse.

Vous trouverez sur le préamplificateur les éléments de réglage et d'affichage suivants :

- Témoin de contrôle pour affichage de l'état de commutation (vert/rouge)
- Commutateur DIL pour le réglage de la sensibilité
- Inversion du mode de fonctionnement pour sélection du comportement de commutation (A/B)

3.4 Stockage et transport

Durant le transport jusqu'à son lieu d'application, votre appareil a été protégé par un emballage dont la résistance aux contraintes de transport usuelles a fait l'objet d'un test selon la norme DIN EN 24180.

Pour les appareils standards, cet emballage est en carton non polluant et recyclable. L'élément de mesure peut être en plus protégé par un capuchon protecteur en ABS. Pour les versions spéciales, on utilise en plus de la mousse ou des feuilles de polyéthylène. Faites en sorte que cet emballage soit recyclé par une entreprise spécialisée de récupération et de recyclage.

Le transport doit s'effectuer en tenant compte des indications faites sur l'emballage de transport. Le non-respect peut entraîner des dommages à l'appareil.

La livraison doit être vérifiée immédiatement après réception quant à son intégralité et à d'éventuels dommages dus au transport. D'éventuels dommages de transport constatés ou des vices cachés sont à traiter en conséquence.

Les colis sont à conserver fermés jusqu'au montage en veillant à respecter les marquages de positionnement et de stockage apposés à l'extérieur.

Sauf autre indication, entreposer les colis en respectant les conditions suivantes :

- Ne pas entreposer à l'extérieur
- Entreposer dans un lieu sec et sans poussière
- Ne pas exposer à des produits agressifs
- Protéger contre les rayons du soleil
- Éviter des secousses mécaniques
- Température de transport et de stockage voir au chapitre "*Annexe - Caractéristiques techniques - Conditions ambiantes*"

MAN 1000098256 ML Version: C Status: RL (released | freigegeben) printed: 22.09.2017

- Humidité relative de l'air 20 ... 85 %

4 Montage

4.1 Remarques générales

MAN 1000098256 ML Version: C Status: RL (released / freigegeben) printed 29.09.2017
**Adaptitude aux conditions
de process**

Assurez-vous que tous les éléments de l'appareil se trouvant dans le process, en particulier l'élément capteur, le joint et le raccord process, soient appropriés aux conditions du process. Cela concerne en particulier la pression process, la température process ainsi que les propriétés chimiques du ou des produit(s).

Vous trouverez de plus amples informations dans le chapitre "*Caractéristiques techniques*" et sur la plaque signalétique.

Point de commutation

En principe, vous pouvez installer le LEVEL SWITCH 8111 dans n'importe quelle position. L'appareil doit seulement être monté de manière à ce que les lames vibrantes soient à la hauteur du point de commutation désiré.

Les lames vibrantes possèdent des repères (encoches) sur le côté servant à marquer le point de commutation en montage vertical. Le point de commutation se rapporte à l'eau avec un commutateur de densité réglé sur $\geq 0,7 \text{ g/cm}^3$ (0.025 lbs/in^3). Veillez au montage du détecteur LEVEL SWITCH 8111 à ce que ce repère se trouve bien au niveau du point de commutation désiré. Tenez compte que le point de commutation de l'appareil se décalera si la densité du produit est différente de celle de l'eau - eau 1 g/cm^3 (0.036 lbs/in^3). Pour les produits $< 0,7 \text{ g/cm}^3$ (0.025 lbs/in^3) et $> 0,5 \text{ g/cm}^3$ (0.018 lbs/in^3), réglez le commutateur de densité sur $\geq 0,5 \text{ g/cm}^3$.

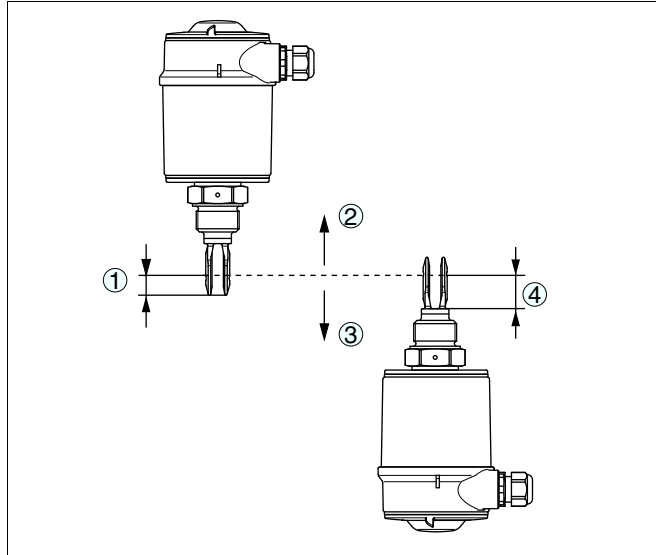


Fig. 2: Montage verticale

- 1 Point de commutation env. 13 mm (0.51 in)
- 2 Point de commutation avec plus faible densité
- 3 Point de commutation avec plus haute densité
- 4 Point de commutation env. 27 mm (1.06 in)

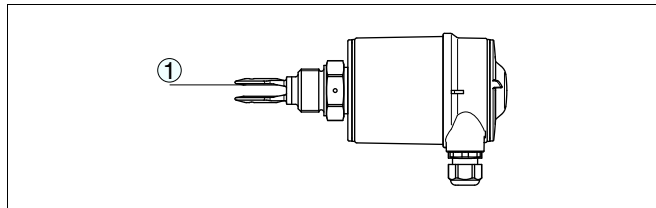


Fig. 3: Montage horizontale

- 1 Point de commutation

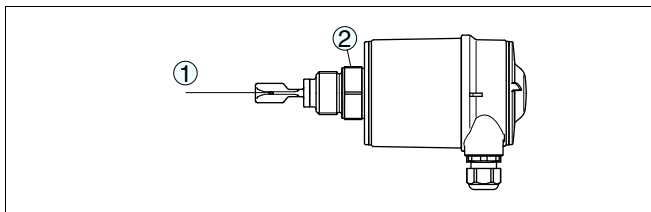


Fig. 4: Montage horizontal (position de montage recommandée, en particulier pour les produits colmatants)

- 1 Point de commutation
- 2 Repère pour version fileté en haut - pour les versions à bride, il est orienté vers les perçages de la bride

Dans les versions à brides, les lames sont orientées vers les perçages de la bride de la façon suivante.

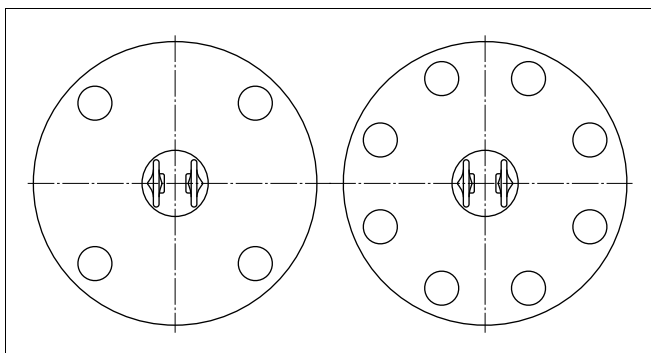


Fig. 5: Position des lames avec versions à bride

Humidité

Utilisez les câbles recommandés (voir au chapitre "Raccordement à l'alimentation") et serrez bien le presse-étoupe.

Vous protégerez en plus votre appareil contre l'infiltration d'humidité en orientant le câble de raccordement devant le presse-étoupe vers le bas. Ainsi, l'eau de pluie ou de condensat pourra s'égoutter. Cela concerne en particulier les montages à l'extérieur ou dans des lieux où il faut s'attendre à de l'humidité (due par exemple à des processus de nettoyage) ou encore dans des cuves réfrigérées ou chauffées.

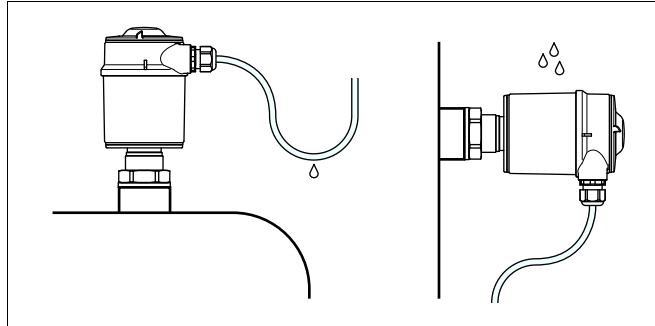


Fig. 6: Mesures prises contre l'infiltration d'humidité

Transport



Avertissement !

Ne tenez pas le détecteur LEVEL SWITCH 8111 par les lames vibrantes. En particulier pour les versions à bride ou à tube, vous pourriez endommager les lames par le poids de l'appareil. Transportez les appareils plaqués avec grande précaution et évitez tout contact avec les lames.

Enlevez l'emballage ou le capot de protection que juste avant le montage.

Pression/sous vide

Vous aurez à étancher le raccord process en présence d'une surpression ou d'une dépression dans le réservoir. Assurez-vous avant d'utiliser l'appareil que le matériau du joint soit résistant au produit mesuré et aux températures régnant dans la cuve.

Reportez-vous pour la pression tolérée au chapitre des "Caractéristiques techniques" ou aux indications sur la plaque signalétique de l'appareil.

Maniement

Le détecteur vibrant est un appareil de mesure et doit donc être manipulé en conséquence. Une flexion de l'élément vibrant entraîne la destruction de l'appareil.



Attention !

N'utilisez jamais le boîtier pour visser l'appareil ! En serrant l'appareil par le boîtier, vous risquez d'endommager la mécanique de rotation du boîtier.

Utilisez le six pans au-dessus du filetage pour visser l'appareil.

4.2 Consignes de montage

Raccord à souder

Le détecteur LEVEL SWITCH 8111 possède un filet initial défini. Cela signifie qu'après avoir vissé un LEVEL SWITCH 8111, ses lames se retrouvent toujours dans la même position. Pour cela, il est nécessaire d'enlever le joint se trouvant sur le filetage du LEVEL SWITCH 8111. Ce joint n'est pas nécessaire si vous utilisez le raccord à souder avec joint torique placé à l'avant.

Nous attirons votre attention sur le fait que le raccord à souder n'est pas adapté aux appareils plaqués.

Vissez le détecteur LEVEL SWITCH 8111 dans le raccord à souder jusqu'en butée. Vous pouvez déjà fixer la position ultérieure avant la soudure. Marquez la position adéquate du raccord à souder. Avant la soudure, dévissez le détecteur LEVEL SWITCH 8111 et enlevez l'anneau de caoutchouc du raccord. Le raccord à souder est marqué par une encoche. Soudez le raccord avec le repère en haut ou dans le cas d'un montage sur tuyauterie (DN 32 à DN 50) dans le sens d'écoulement.

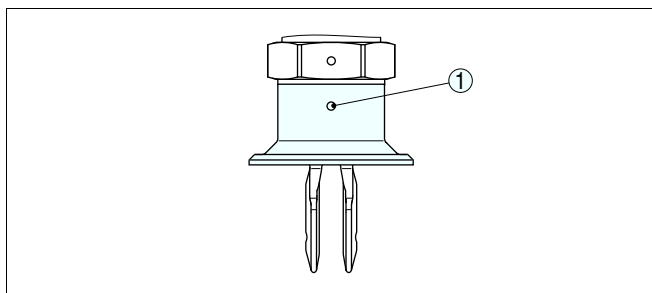


Fig. 7: Marquage sur le raccord à souder

1 Marquage

Produits colmatants

Dans le cas d'un montage horizontal sur des produits colmatants et visqueux, les lames doivent être positionnées l'une à côté de l'autre et non l'une au dessus de l'autre pour minimiser les dépôts de produit sur les lames. La version à raccord fileté dispose d'un marquage sur le six pans vous permettant de contrôler la position des lames au montage. Lorsque le six pans a atteint le joint plat, vous pouvez encore continuer de tourner le raccord fileté d'un demi-tour environ, ce qui est suffisant pour atteindre la position de montage recommandée.

Dans les versions à brides, les lames sont orientées vers les perçages de la bride.

En présence de produits colmatants et visqueux, les lames vibrantes doivent faire saillie dans la cuve pour éviter des dépôts sur les lames. En montage horizontal, évitez donc d'utiliser des rehausses pour brides et raccords à visser.

Flot de produit

Si vous installez le LEVEL SWITCH 8111 dans le flot de remplissage, cela peut entraîner des mesures erronées. Pour l'éviter, nous vous recommandons d'installer le LEVEL SWITCH 8111 à un endroit de la cuve où il ne sera pas perturbé par des influences négatives telles que flots de remplissage ou agitateurs par exemple.

Écoulements

Pour que les lames vibrantes du LEVEL SWITCH 8111 offrent le moins de résistance possible en présence de surfaces agitées, la surface des lames doit être parallèle au sens d'écoulement du produit.

Emballage

Traitez les appareils revêtus d'émail avec une précaution particulière et évitez les coups ou chocs durs. Retirez le LEVEL SWITCH 8111 de son emballage que juste avant le montage. Introduisez le LEVEL SWITCH 8111 avec précaution dans le piquage de la cuve et évitez tout contact avec les bords vifs de la cuve.

MAN 1000098256 ML Version: C Status: RL (released | released) Printed: 29.09.2017

Respecter les consignes de sécurité

Respecter les consignes de sécurité pour les applications Ex

Alimentation en tension

Câble de raccordement

Câble de raccordement pour applications Ex



5 Raccordement à l'alimentation de tension

5.1 Préparation du raccordement

Respectez toujours les consignes de sécurité suivantes :

- Raccorder l'appareil uniquement hors tension

En atmosphères explosibles, il faudra respecter les réglementations respectives ainsi que les certificats de conformité et d'examen de type des capteurs et appareils d'alimentation.

Raccordez la tension d'alimentation suivant les schémas suivants. Respectez pour cela les réglementations d'installation générales en vigueur. Reliez toujours le détecteur LEVEL SWITCH 8111 à la terre de la cuve (liaison équipotentielle) ou pour les cuves en plastique au potentiel du sol le plus proche. Utilisez pour cela la borne de terre entre les presse-étoupe sur le côté du boîtier de l'appareil. Cette liaison sert à une décharge électrostatique. Pour les applications Ex, il faut respecter les règles d'installation concernant les zones à atmosphère explosible.

Vous trouverez les données concernant l'alimentation de tension au chapitre "*Caractéristiques techniques*".

L'appareil sera raccordé par du câble bifilaire usuel non blindé. Si vous vous attendez à des perturbations électromagnétiques pouvant être supérieures aux valeurs de test de l'EN 61326 pour zones industrielles, il faudra utiliser du câble blindé.

Utilisez du câble de section ronde. Un diamètre extérieur du câble compris entre 5 et 9 mm (0.2 ... 0.35 in) garantit l'étanchéité du presse-étoupe. Si vous utilisez du câble d'un autre diamètre ou de section différente, changez le joint ou utilisez un presse-étoupe adéquat.

En atmosphères explosibles, utilisez pour le détecteur LEVEL SWITCH 8111 uniquement des presse-étoupes agréés pour atmosphère explosible.

Respecter les règlements d'installation concernant les applications Ex.

Fermez les orifices du boîtier conformément à la norme EN 60079-1.

5.2 Étapes de raccordement

Pour les appareils Ex, vous n'êtes autorisé à ouvrir le couvercle du boîtier qu'en absence complète d'atmosphère explosive.

Procédez comme suit :

- 1 Dévisser le couvercle du boîtier
- 2 Desserrer l'écrou flottant du presse-étoupe

- 3 Enlever la gaine du câble sur 10 cm (4 in) env. et dénuder l'extrémité des conducteurs sur 1 cm (0.4 in) env.
 - 4 Introduire le câble dans le capteur en le passant par le presse-étoupe.
 - 5 Ouvrir les bornes de raccordement à l'aide d'un tournevis
 - 6 Enficher les extrémités des conducteurs dans les bornes ouvertes suivant le schéma de raccordement
 - 7 Bien serrer les bornes de raccordement à l'aide d'un tournevis
 - 8 Vérifier la bonne fixation des conducteurs dans les bornes en tirant légèrement dessus
 - 9 Serrer bien l'écrou flottant du presse-étoupe. L'anneau d'étanchéité doit entourer complètement le câble
 - 10 Revisser le couvercle du boîtier
- Le raccordement électrique est maintenant terminé.

5.3 Schéma de raccordement boîtier à chambre unique

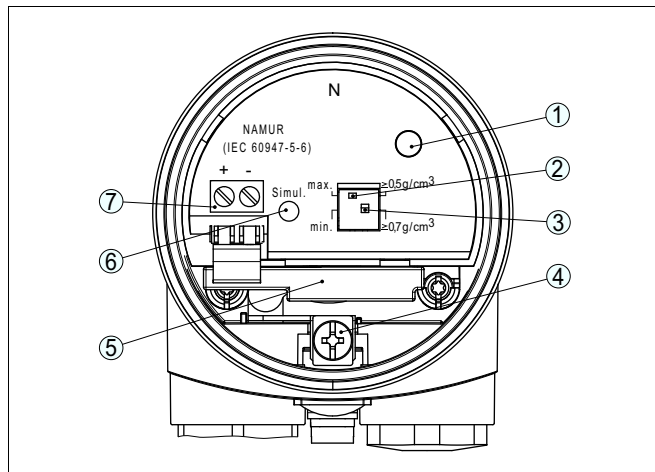


Fig. 8: Compartiment électronique et de raccordement boîtier à chambre unique

- 1 Témoignage de contrôle
- 2 Commutateur DIL pour l'inversion de la courbe caractéristique
- 3 Commutateur DIL pour le réglage de la sensibilité
- 4 Borne de mise à la terre
- 5 Élément filtre CEM
- 6 Touche de simulation
- 7 Bornes de raccordement

Schéma de raccordement

Pour le raccordement à un amplificateur-séparateur selon NAMUR (IEC 60947-5-6, EN 50227). Vous trouverez d'autres informations au chapitre des "Caractéristiques techniques".

MAN 1000098256 ML Version: C Status: RL (released | freigegeben) printed: 22.09.2017

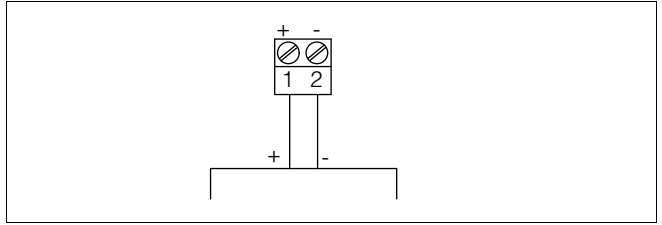


Fig. 9: Schéma de raccordement boîtier à chambre unique

6 Mise en service

6.1 Généralités

Les chiffres entre parenthèses se rapportent aux illustrations suivantes.

Vous pouvez contrôler l'état de commutation de l'électronique, le couvercle du boîtier étant fermé (témoin de contrôle). En réglage de base, vous pouvez détecter des produits dont la densité est $> 0,7 \text{ g/cm}^3$ (0.025 lbs/in^3). En présence de produits dont la densité est plus basse, vous devez mettre le commutateur sur $> 0,5 \text{ g/cm}^3$ (0.018 lbs/in^3).

Vous trouverez sur le préamplificateur les éléments de réglage et d'affichage suivants :

- Témoin de contrôle (1)
- Commutateur DIL pour inversion de la courbe - min./max. (2)
- Commutateur DIL pour le réglage de la sensibilité (3)
- Touche de simulation (4)



Remarque:

Si vous voulez tester l'appareil, plongez les lames vibrantes du détecteur LEVEL SWITCH 8111 uniquement dans un liquide. Ne testez pas le fonctionnement du détecteur LEVEL SWITCH 8111 avec la main. Cela pourrait endommager l'appareil.

6.2 Éléments de réglage

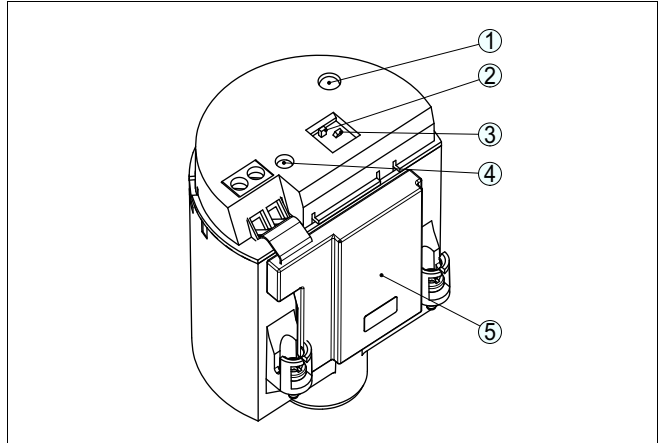


Fig. 10: Préamplificateur SWE60N - sortie NAMUR

- 1 Témoin de contrôle (LED)
- 2 Commutateur DIL pour inversion de la courbe caractéristique
- 3 Commutateur DIL pour le réglage de la sensibilité
- 4 Touche de simulation
- 5 Élément filtre CEM

ML Version: C Status: RL (released | freigegeben) printed: 22.09.2017

MAN

32048-FR-120524

Témoin de contrôle (1)

Témoin de contrôle unicolore pour affichage de l'état de commutation

- Rouge = High current $\geq 2,6$ mA
- Éteint = Low current $\leq 0,6$ mA
- Rouge (clignote) = panne $\leq 0,6$ mA

Inversion de la courbe caractéristique (2)

Le commutateur DIL vous permet d'inverser la courbe caractéristique. Vous avez le choix entre courbe décroissante (position du commutateur max.) et courbe croissante (position du commutateur min.). L'appareil vous délivre ainsi le courant désiré.

Modes de fonctionnement

- Min. - courbe croissante (High current à l'état immergé)
- Max. - courbe décroissante (Low current à l'état immergé)

Vous pouvez commuter la sortie NAMUR sur une courbe croissante ou décroissante (voir également "Tableau de fonctionnement").

Pour les applications selon WHG, le commutateur DIL doit se trouver en position maxi.

Réglage de la sensibilité (3)

Ce commutateur DIL (3) vous permet de régler le point de commutation pour les liquides dont la densité est comprise entre 0,5 et 0,7 g/cm³ (0.018 et 0.025 lbs/in³). Au réglage de base, vous pouvez détecter des liquides dont la densité est $> 0,7$ g/cm³ (0.025 lbs/in³). Pour les produits de plus basse densité, réglez le commutateur sur

> 0,5 g/cm³ (0.018 lbs/in³). Les valeurs indiquées pour la position du point de commutation se rapportent à l'eau - densité 1 g/cm³ (0.036 lbs/in³). Pour les produits ayant une densité différente de celle de l'eau, ce point de commutation se décalera vers le boîtier ou vers l'extrémité des lames en fonction de la densité et du type de montage.



Remarque:

Tenez compte que la mousse dont la densité est > 0,45 g/cm³ (0.016 lbs/in³) sera détectée par l'appareil. Cela peut conduire à de fausses commutations en particulier si l'appareil est utilisé comme protection contre la marche à vide.

Touche de simulation (4)

La touche de simulation est noyée dans la partie supérieure du préamplificateur. Appuyez sur la touche de simulation avec un outil approprié (tournevis, stylo à bille, etc.).

Après avoir appuyé sur la touche, l'appareil simule une coupure de ligne entre capteur et unité d'exploitation. Le témoin de contrôle s'éteint au capteur. Après avoir appuyé sur la touche, la chaîne de mesure doit signaler une panne et passer à l'état de sécurité positive.

Nous attirons votre attention sur le fait que les appareils connectés en aval seront également activés pendant l'appui sur la touche. Vous avez ainsi la possibilité de contrôler le fonctionnement correct de votre chaîne de mesure.

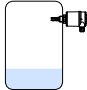

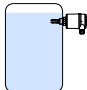

6.3 Tableau de fonctionnement

Le tableau ci-dessous vous donne un aperçu des états de commutation en fonction du mode de fonctionnement réglé et du niveau.

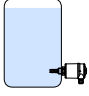

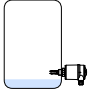




Remarque:

Le réglage du mode de fonctionnement à l'amplificateur-séparateur NAMUR doit être sélectionné de telle façon que la sortie de commutation en cas de signalisation de défaut ($I \leq 0,6 \text{ mA}$) passe à l'état de sécurité positive.

	Niveau	Courant signal - capteur	Témoin de contrôle
Courbe caractéristique décroissante max.		$\geq 2,6 \text{ mA}$	
Courbe caractéristique décroissante max.		$\leq 0,6 \text{ mA}$	

MAN 1000098256 ML Version: C Status: RL (released | freigegeben) printed: 22.09.2017

	Niveau	Courant signal - capteur	Témoin de contrôle
Courbe caractéristique croissante min.		$\geq 2,6 \text{ mA}$	
Courbe caractéristique croissante min.		$\leq 0,6 \text{ mA}$	
Défaut	Quelconque	$\leq 0,6 \text{ mA}$	 Clignote

7 Maintenance et élimination des défauts

7.1 Maintenance

À condition d'un maniement approprié, aucun entretien particulier ne sera nécessaire en fonctionnement normal.

7.2 Éliminer des défauts

C'est à l'exploitant de l'installation qu'il incombe la responsabilité de prendre les mesures appropriées pour éliminer les défauts survenus.

Comportement en cas de défauts

Causes du défaut

Le LEVEL SWITCH 8111 vous offre une très haute sécurité de fonctionnement. Toutefois, des défauts peuvent apparaître pendant le fonctionnement de l'appareil. Ces défauts peuvent par exemple avoir les causes suivantes :

- Capteur
- Process
- Alimentation en tension
- Exploitation des signaux

Élimination des défauts

Vérifier en premier le signal de sortie. Dans de nombreux cas, il est ainsi possible de constater les causes de ces défauts et y remédier.

Vérifier le signal de commutation

Erreur	Cause	Élimination
Le LEVEL SWITCH 8111 signale immergé sans qu'il soit recouvert par le produit (sécurité antidébordement) Le LEVEL SWITCH 8111 signale émergé bien qu'il soit recouvert par le produit (protection contre la marche à vide).	Tension de service trop faible	Vérifier la tension de service
	Électronique défectueuse	Actionner le commutateur d'inversion de la courbe caractéristique. Si à la suite l'appareil commute, il se peut que l'élément vibrant soit recouvert de colmatages ou qu'il présente une détérioration mécanique. Si la fonction de commutation est à nouveau défectueuse sur le mode correct, retourner l'appareil au service réparation.
		Actionner le commutateur d'inversion de la courbe. Si après cela l'appareil ne commute pas, le préampli est défectueux. Remplacer le préamplificateur.
Lieu de montage défavorable	Éviter d'installer l'appareil dans une zone morte du silo où le produit risque de stagner (silo vide), et de même éviter les zones dans lesquelles peuvent se former des poches d'air silo plein (effet de voûte).	

Erreur	Cause	Élimination
	Colmatages sur l'élément vibrant	Assurez-vous qu'il n'y a aucun colmatage sur l'élément vibrant et le manchon. Si c'est le cas, éliminez-les.
	Choix de la mauvaise courbe caractéristique	Régler la courbe caractéristique correcte à l'inverseur de courbe (protection antidébordement, protection contre la marche à vide). Le câblage doit être réalisé suivant le principe du courant repos.
Témoin de contrôle clignote rouge	Erreur sur l'élément vibrant	Contrôlez si la lame vibrante est détériorée ou si elle a une importante corrosion.
	Défaut à l'électronique	Remplacer le préamplificateur
	Appareil défectueux	Remplacer l'appareil ou le retourner au service réparation

Comportement après élimination des défauts

Suivant la cause du défaut et les mesures prises pour l'éliminer, il faudra le cas échéant recommencer les étapes décrites au chapitre "Mise en service".

7.3 Remplacer l'électronique

En cas de défaut, le préamplificateur peut être remplacé par l'utilisateur.



Les applications Ex nécessitent l'utilisation d'un préamplificateur avec agrément Ex adéquat.

Vous trouverez toutes les informations concernant le changement de l'électronique dans le manuel de mise en service du nouveau préamplificateur.

De façon générale, tous les préamplificateurs de la série SW60 sont interchangeables. Si vous voulez utiliser un préamplificateur avec une autre sortie signal, il vous faudra refaire une mise en service complète. Vous trouverez sur notre site internet le manuel de mise en service adéquat y étant nécessaire.



Remarque:

Tenez compte que les versions d'appareils émaillées nécessitent des préamplificateurs spéciaux. Ces préamplificateurs portent la désignation SW60E ou SW60E1.

8 Démonter

8.1 Étapes de démontage



Attention !

Avant de démonter l'appareil, prenez garde aux conditions de process dangereuses comme par exemple pression dans la cuve, hautes températures, produits agressifs ou toxiques etc.

Suivez les indications des chapitres "*Montage*" et "*Raccordement à l'alimentation*" et procédez de la même manière mais en sens inverse.



Pour les appareils Ex, vous n'êtes autorisé à ouvrir le couvercle du boîtier qu'en absence complète d'atmosphère explosive.

8.2 Recyclage

L'appareil se compose de matériaux recyclables par des entreprises spécialisées. À cet effet, l'électronique a été conçue facilement démontable et les matériaux utilisés sont recyclables.

Directive DEEE 2002/96/CE

Le présent appareil n'est pas soumis à la directive DEEE 2002/96/CE et aux lois nationales respectives. Apportez l'appareil directement à une entreprise de recyclage spécialisée et n'utilisez pas les points de récupération communaux. Ceux-ci sont destinés uniquement à des produits à usage privé conformément à la réglementation DEEE.

Une récupération professionnelle évite les effets négatifs pouvant agir sur l'homme et son environnement tout en préservant la valeur des matières premières par un recyclage adéquat.

Matériaux : voir au chapitre "*Caractéristiques techniques*"

Au cas où vous n'auriez pas la possibilité de faire recycler le vieil appareil par une entreprise spécialisée, contactez-nous. Nous vous conseillerons sur les possibilités de reprise et de recyclage.

9 Annexe

9.1 Caractéristiques techniques

Caractéristiques générales

Matériau	316L correspond à 1.4404 ou à 1.4435
Matériaux, en contact avec le produit	
Raccord process - filetage	316L, Hastelloy C22 (2.4602)
Raccord process - bride	316L, 316L plaqué Hastelloy C22, acier émaillé, 316L revêtu ECTFE, 316L revêtu PFA
Joint de process	Klingsil C-4400
Lames vibrantes	316L, Hastelloy C22 (2.4602)
Longueur du capteur	
Longueur LEVEL SWITCH 8111	Voir au chapitre "Encombrement"
Matériaux, sans contact avec le produit	
Boîtier	Plastique PBT (polyester)
Joint entre boîtier et couvercle du boîtier	EPDM
Borne de mise à la terre	316L
Extension haute température (en option)	316L
Passage étanche au gaz (en option)	316L/verre
Poids	
Boîtier en matière plastique	env. 850 g (30 oz)
Épaisseur du revêtement	
Émail	Env. 0,8 mm (0.031 in)
ECTFE	Env. 0,5 mm (0.02 in)
PFA	Env. 0,5 mm (0.02 in)
Index de rugosité de surface	
Standard	R_a env. 3 μm (1.18 ⁻⁴ in)
- Version alimentaire (3A)	$R_a < 0,8 \mu\text{m}$ (3.15 ⁻⁵ in)
- Version alimentaire (3A)	$R_a < 0,3 \mu\text{m}$ (1.18 ⁻⁵ in)
Raccords process	
- Filetage pas du gaz, cylindrique (DIN 3852-A)	G $\frac{3}{4}$ A, G1 A
- Filetage pas du gaz américain, conique (ASME B1.20.1)	$\frac{3}{4}$ NPT ou 1 NPT
- Brides	DIN à partir de DN 25, ANSI à partir de 1"
- Raccords alimentaires	Raccord union DN 40 PN 40, Clamp 1" DIN 32676 ISO 2852/316L, Clamp 1 $\frac{1}{2}$ " PN10 DIN 32676 ISO 2852/316L, cône DN 25 PN 40, Tuchenhausen Varivent DN 50 PN 10
Couple de serrage maxi. - raccord process	
- Filetage G $\frac{3}{4}$ A, $\frac{3}{4}$ NPT	75 Nm (55 lbf ft)

– Filetage G1 A, 1 NPT	100 Nm (73 lbf ft)
Test à haute tension (émail)	max. 5 KV
Passage étanche au gaz (en option)	
– Taux de fuite	$< 10^{-6}$ mbar l/s
– Résistance à la pression	PN 64

Grandeur de sortie

Sortie	Sortie bifilaire NAMUR
Consumation de courant	
– Courbe décroissante	$\geq 2,6$ mA émergées/ $\leq 0,6$ mA immergées
– Courbe croissante	$\leq 0,6$ mA émergées/ $\geq 2,6$ mA immergées
– Signalisation de défaut	$\leq 0,6$ mA
Système d'exploitation nécessaire	Système d'exploitation NAMUR selon IEC 60947-5-6 (EN 50227/DIN 19234)
Modes de fonctionnement (sortie NAMUR commutable sur courbe caractéristique croissante ou décroissante)	
– Min.	Courbe croissante (High current à l'état immergé)
– Max.	Courbe décroissante (Low current à l'état immergé)

Précision de mesure

Ecart de mesure	± 1 mm (0.04 in)
-----------------	----------------------

Influence de la température process sur le point de commutation

MAN 1000096256 ML Version: C-3 Status: RL (released / freigegeben) printed: 22-09-2017

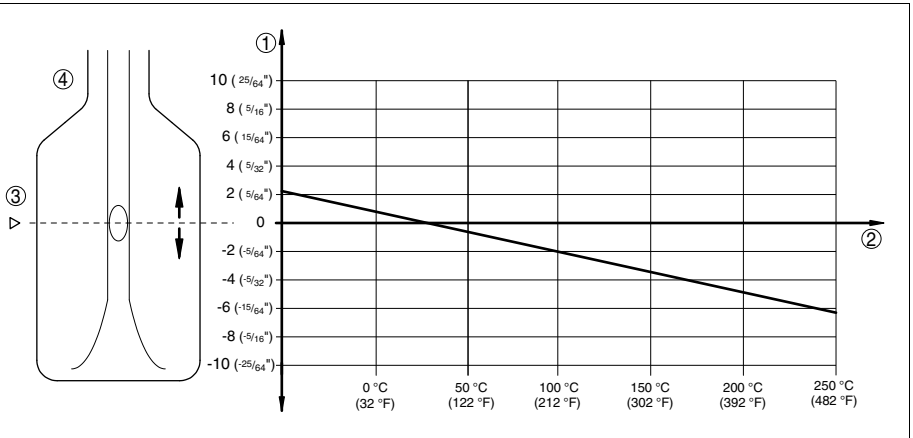


Fig. 18: Influence de la température process sur le point de commutation

- 1 Décalage du point de commutation en mm (in)
- 2 Température process en °C (°F)
- 3 Point de commutation avec conditions de référence (rainure)
- 4 Lames vibrantes

Influence de la densité du produit sur le point de commutation

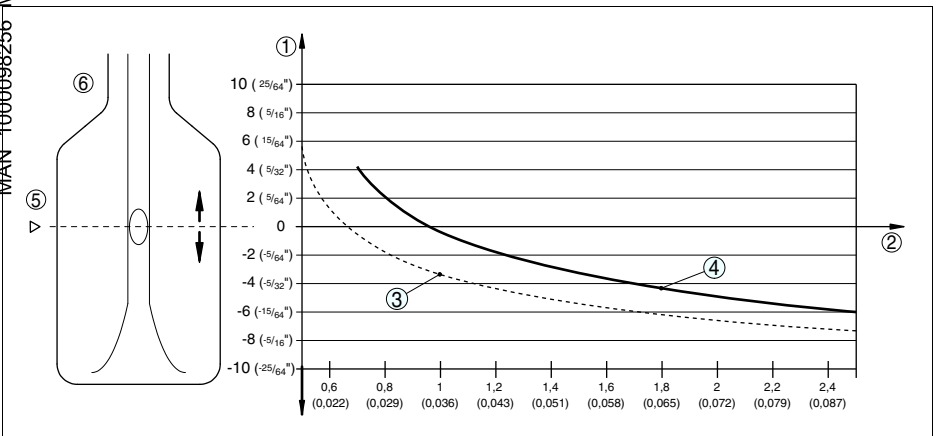


Fig. 19: Influence de la densité du produit sur le point de commutation

- 1 Décalage du point de commutation en mm (in)
- 2 Densité du produit en g/cm³ (lb/in³)
- 3 Position du commutateur 0,5 g/cm³ (0.018 lb/in³)
- 4 Position du commutateur 0,7 g/cm³ (0.025 lb/in³)
- 5 Point de commutation avec conditions de référence (rainure)
- 6 Lames vibrantes

Influence de la pression process sur le point de commutation

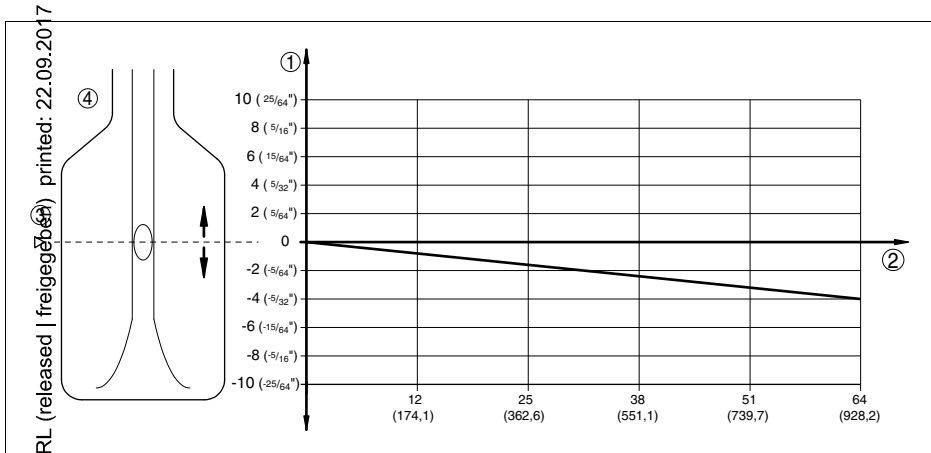


Fig. 30: Influence de la pression process sur le point de commutation

- 1 Décalage du point de commutation en mm (in)
- 2 Pression process en bar (psig)
- 3 Point de commutation avec conditions de référence (rainure)
- 4 Jambes vibrantes

Reproductibilité	0,1 mm (0.004 in)
Hystérésis	Env. 2 mm (0.08 in) pour montage vertical
Retard de commutation	Env. 500 ms (ON/OFF)
Fréquence de mesure	Env. 1200 Hz

Conditions ambiantes

Température ambiante au boîtier	-40 ... +70 °C (-40 ... +158 °F)
Température de stockage et de transport	-40 ... +80 °C (-40 ... +176 °F)

Conditions de process

Grandeur de mesure	seuils de détection de liquides
Pression process	-1 ... 64 bar/-100 ... 6400 kPa (-14.5 ... 928 psig) dépend du raccord process, p.ex. de la bride (voir diagrammes suivants)
Température de process (température au filetage ou à la bride)	
- LEVEL SWITCH 8111 en 316L/Hastelloy C22 (2.4602)	-50 ... +150 °C (-58 ... +302 °F)
Température process (température au filetage ou à la bride) avec extension hautes températures (en option)	

MAN 1000096256 ML-Visio-1-C-Status: RL (released | freigegeben) printed: 22.09.2017

- LEVEL SWITCH 8111 en 316L/Hastelloy C22 (2.4602) -50 ... +250 °C (-58 ... +482 °F)
- LEVEL SWITCH 8111 émaillé -50 ... +200 °C (-58 ... +392 °F)
- LEVEL SWITCH 8111 revêtu ECTFE -50 ... +150 °C (-58 ... +302 °F)
- LEVEL SWITCH 8111 revêtu PFA -50 ... +150 °C (-58 ... +302 °F)

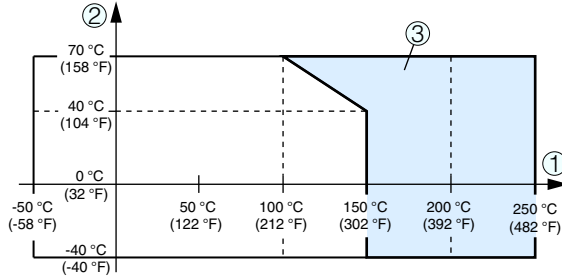


Fig. 21: Température ambiante - température process

Température process en °C (°F)
 Température ambiante en °C (°F)
 Plage de température avec extension hautes températures

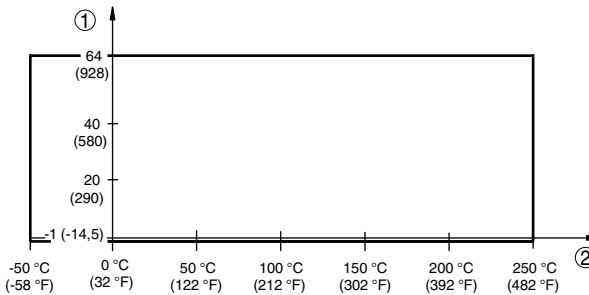


Fig. 22: Température process - pression process avec position du commutateur 0,7 g/cm³ (commutateur d'inversion de la sensibilité)

- 1 Pression process en bar (psig)
- 2 Température process en °C (°F)

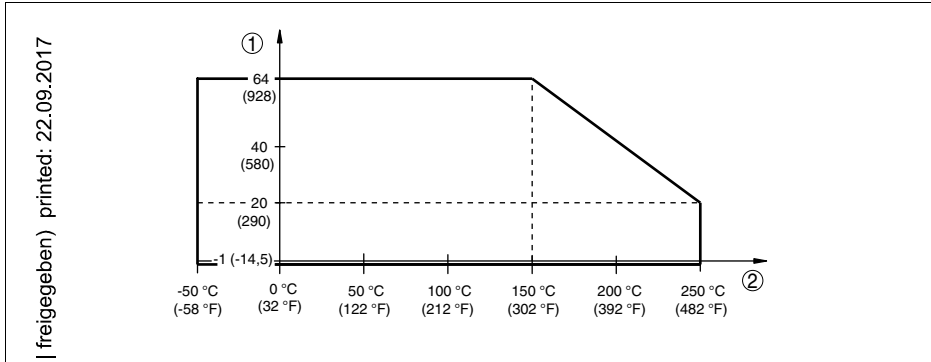


Fig. 83: Température process - pression process avec position du commutateur 0,5 g/cm³ (commutateur d'inversion de la sensibilité)

- 1 Pression process en bar (psig)
2 Température process en °C (°F)

Viscosité - dynamique	0,1 ... 10.000 mPa s (condition : avec une densité de 1)
Vitesse d'écoulement	max. 6 m/s (pour une viscosité de 1 mPa s)
Densité	0,7 ... 2,5 g/cm ³ (0.025 ... 0.09 lbs/in ³); 0,5 ... 2,5 g/cm ³ (0.018 ... 0.09 lbs/in ³) changement par commutation

Mesures de protection électrique

Indice de protection	IP 66/IP 67
Catégorie de surtensions	III
Classe de protection	II

Éléments de réglage

Commutateur du mode de fonctionnement

- Min. Courbe croissante (High current à l'état immergé)
- Max. Courbe décroissante (Low current à l'état immergé)

Inverseur de la sensibilité

- 0,5 0,5 ... 2,5 g/cm³ (0.018 ... 0.9 oz/in³)
- 0,7 0,7 ... 2,5 g/cm³ (0.025 ... 0.9 oz/in³)

Touche de test

simulation d'une coupure de ligne entre capteur et unité d'exploitation

Alimentation en tension

Tension de service (courbe caractéristique correspondant à la norme)	Pour le raccordement à l'amplificateur-séparateur selon NAMUR IEC 60947-5-6, env. 8,2 V
Tension en circuit ouvert	U ₀ env. 8,2 V

Courant de court-circuit I_U env. 8,2 mA

Mesures de protection électrique

Indice de protection

Boîtier en matière plastique IP 66/IP 67

Boîtier en alu et en acier inox standard IP 66/IP 68 (0,2 bar)¹⁾

Boîtier en alu et en acier inox (en option) IP 66/IP 68 (1 bar)

Catégorie de surtensions

III

Classe de protection

II

¹⁾ La condition pour le respect du degré de protection est un câble approprié

9.2 Encombrement

LEVEL SWITCH 8111

MAN 1000098256 ML Version: C Status: RL (released | freigegeben) printed: 22.09.2017

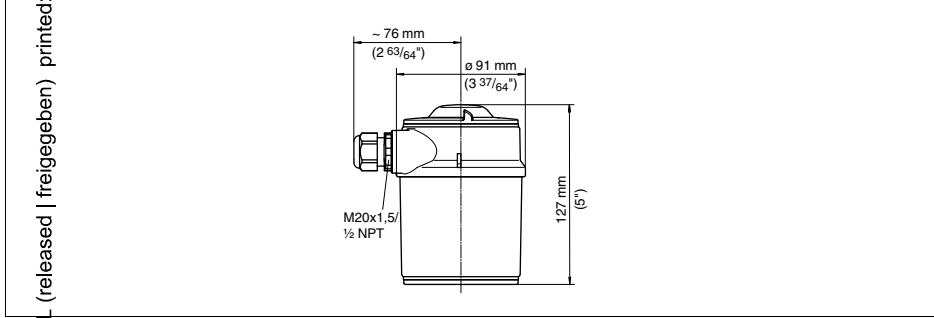


Fig. 24: Boîtier

LEVEL SWITCH 8111

1000096256-ML-Version: C-Status: RL (released | freigegeben) printed: 22-09-2017

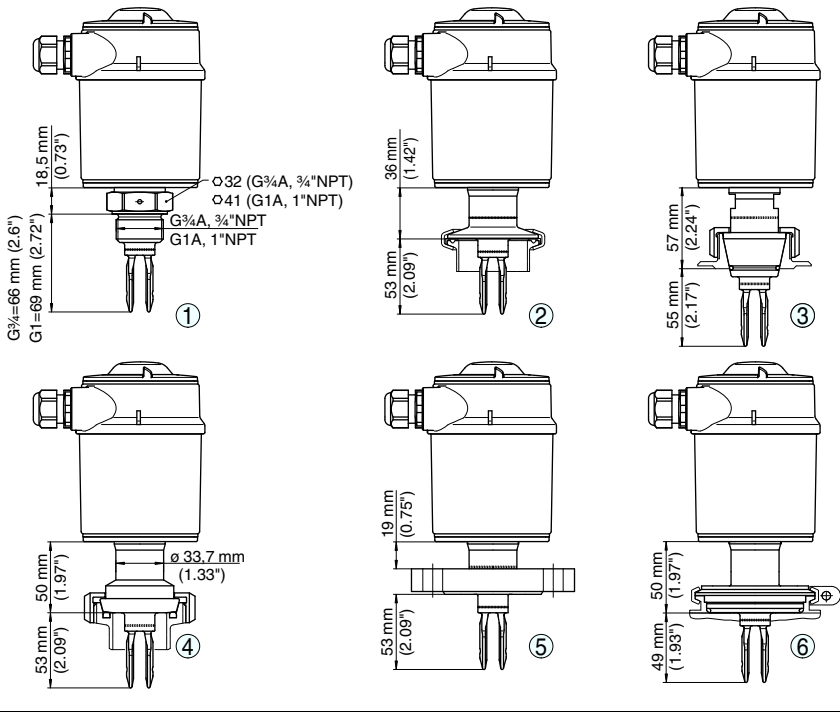


Fig. 25: LEVEL SWITCH 8111

- 1 Raccord fileté
- 2 Clamp
- 3 Cône DN 25
- 4 Raccord union DN 40
- 5 Bride
- 6 Passage étanche au gaz
- 7 Extension haute température

LEVEL SWITCH 8111 - Options

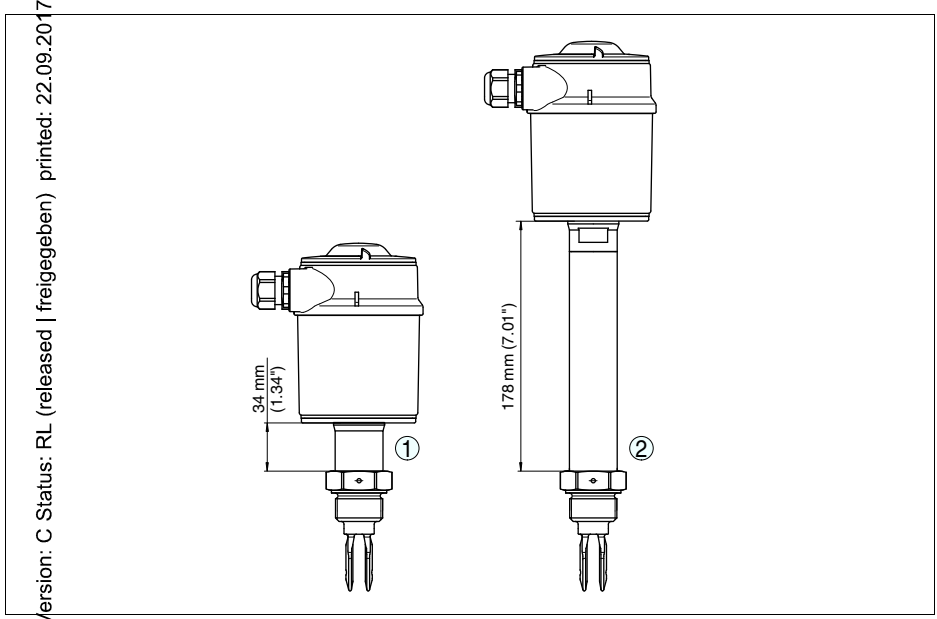


Fig. 46: Options

- 1 passage étanche au gaz
- 2 extension haute température

MAN 100009824

MAN 1000098256 ML Version: C Status: RL (released | freigegeben) printed: 22.09.2017

32048-FR-120524

MAN 1000098256 ML Version: C Status: RL (released | freigegeben) printed: 22.09.2017

MAN 1000098256 ML Version: C Status: RL (released | freigegeben) printed: 22.09.2017

The smart choice
of Fluid Control Systems
www.burkert.com


FLUID CONTROL SYSTEMS

32048-FR-120524