



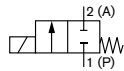
Direct-acting 2/2 or 3/2-way solenoid valve

- Direct-acting, media-separated valve up to DN 25
- Vibration resistant, block mounted coil system
- Energy saving power reduction for DC versions
- High safety due to electrical position feedback
- Robust, service friendly manual override

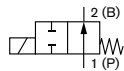
The valve operates according to the lever principle and can therefore switch big orifices directly. Available in 2/2-way version as well as a 3/2-way valve. The armature works horizontally on a tightly coupled toggle. The cylinder seal, located at the lower lever, is pressed by the horizontal movement of the valve seat. The plastic-coated metal lever forms a unit with the implemented gas-tight membrane. With this construction the actuator is disconnected from the media fluid housing.

Circuit functions

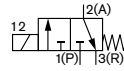
A 2/2 way direct-acting solenoid valve, normally closed



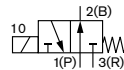
B 2/2 way direct-acting solenoid valve, normally open



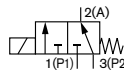
C 3/2 way direct-acting solenoid valve, normally closed



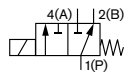
D 3/2 way direct-acting solenoid valve, normally open



E 3/2 way mixing solenoid valve



F 3/2 way direct-acting, distribution solenoid valve



Technical data	
Body material	PVC, PVDF, brass
Seal material	NBR, EPDM, FKM
Medium	Aggressive and non-aggressive fluids, neutral gases, aggressive gases according to their diffusion properties
Medium temperature (Body + Seal)	PVC / EPDM -10 to +50 °C PVC / FKM -10 to +50 °C Brass / EPDM -30 to +130 °C * Brass / FKM -10 to +130 °C * Brass / NBR -10 to +90 °C PVDF / FKM -10 to +70 °C PVDF / EPDM -10 to +70 °C
Ambient temperature	Max. +50 °C
Viscosity	37 mm ² /s
Operating voltage	24 V / UC, 230 V / UC, 24 V / 50 Hz, 230 V / 50 Hz
Voltage tolerance	±10 %
Cycling rate	60/min at AC Max. 6/min at UC
Duty cycle	100%
Electrical connection	Cable plug (supplied as standard)
Protection class	IP65 with cable plug
Installation	As required, preferably with actuator upright

* High performance version, AC/DC max. +90 °C

Response times [ms]:	Measured at valve outlet at 6 bar and +20°C.
Opening (10 to 20)	Pressure rise 0 to 90%,
Closing (40 to 60)	Pressure relief 100 to 10%

Electrical power consumption			
Inrush		Hold	
AC [VA]	UC [W]	AC [VA/W]	UC [W]
100-120	100	48/16	9

Flow rate: Kv value water [m³/h]

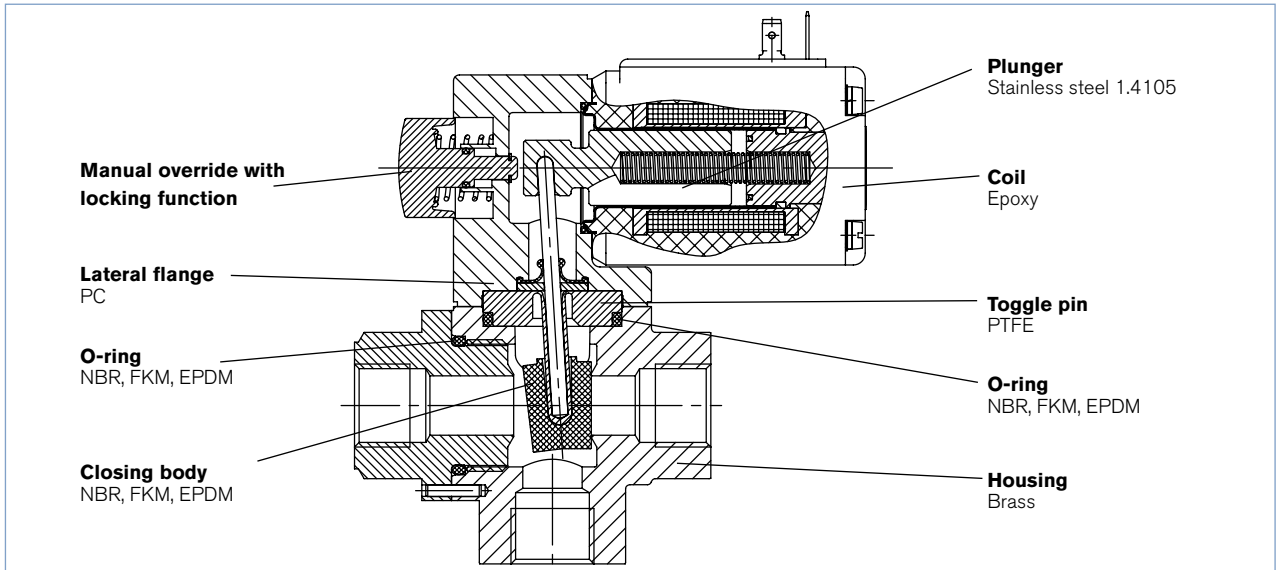
Measured at +20 °C, 1 bar pressure at valve inlet and free outlet

Pressure values [bar]

Overpressure with respect to atmospheric pressure

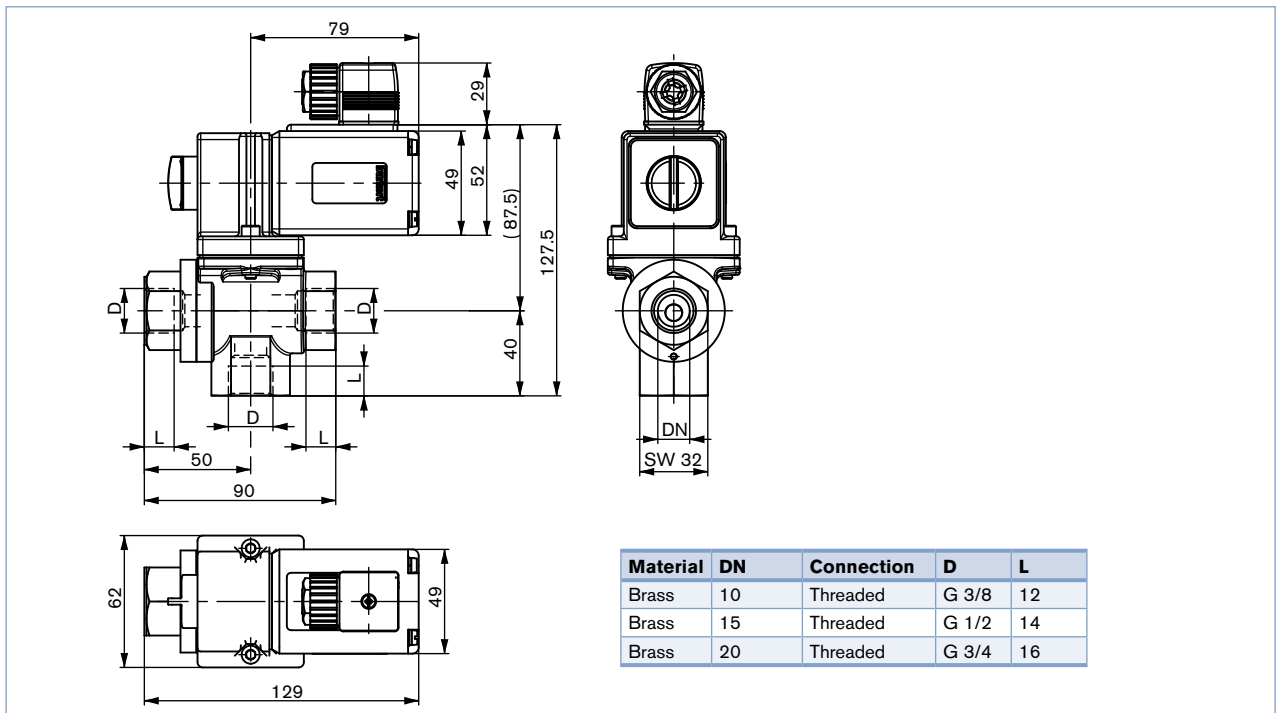
Materials

3/2-way brass version



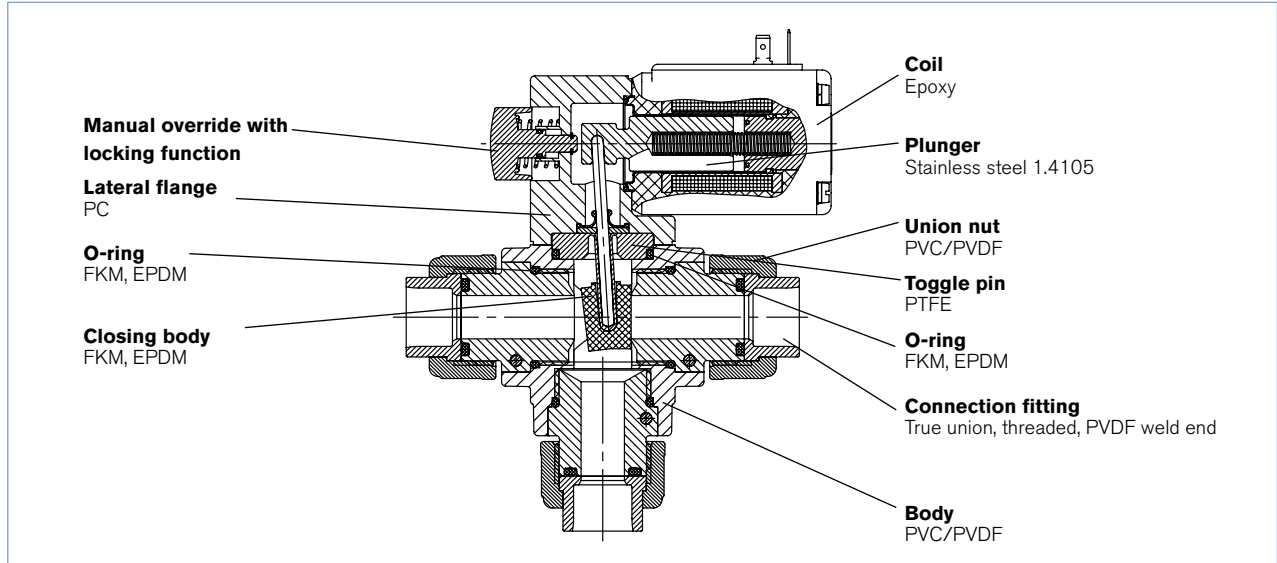
Dimensions [mm]

3/2-way brass version



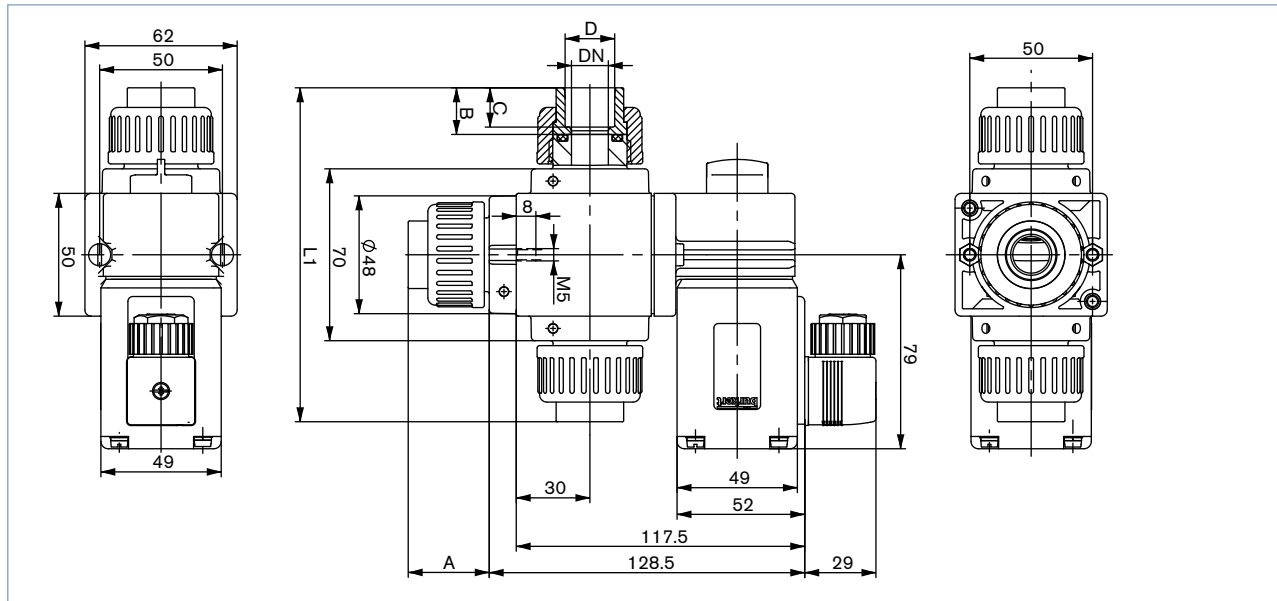
Materials

3/2-way plastic version with union nut and connection fitting



Dimensions [mm]

3/2-way plastic version with union nut and connection fitting



Material	DN	Connection	A	B	C	D	1 L
PVC	10	True union	30	17	14	Ø 16.2	130
		Threaded connection	30	17	12	G 3/8	130
		Threaded connection	30	17	12	NPT 3/8	130
	10 (with port for DN 15)	True union	32	19	16	Ø 20.2	134
		Threaded connection	32	19	13	G 1/2	134
		Threaded connection	32	19	14	NPT 1/2	134
	15	True union	33	19	16	Ø 20.2	136
		Threaded connection	33	19	13	G 1/2	136
		Threaded connection	33	19	14	NPT 1/2	136
	15 (with port for DN 20)	True union	36	22	19	Ø 25.2	142
		Threaded connection	36	22	15	G 3/4	142
		Threaded connection	36	22	16	NPT 3/4	142
20	True union	37	22	19	Ø 25.2	144	
	Threaded connection	37	22	15	G 3/4	144	
	Threaded connection	37	22	16	NPT 3/4	144	
PVDF	10	Weld end	31	18	15	Ø 15.5	132
	15	Weld end	33	19	16	Ø 19.35	136
	20	Weld end	36	21	18	Ø 24.5	142

Ordering chart for valves

3/2-way version, seal material EPDM

Body material	Circuit function	Orifice [mm]	Port connection [inch resp. mm]	Kv value water [m³/h]	Pressure range [bar]	Item no. per voltage / frequency			
						24 V/UC	230 V/UC	24 V/50 Hz	230 V/50 Hz
PVC	C	10	G 3/8	2.0	0-1	x	x	-	-
			G 1/2	2.0	0-1	x	x	-	-
			True union Ø 16	2.0	0-1	x	x	-	-
			True union Ø 20	2.0	0-1	x	x	-	-
		15	G 1/2	4.0	0-0.5	x	x	-	-
			True union Ø 20	4.0	0-0.5	x	x	-	-
			True union Ø 25	4.0	0-0.5	x	x	-	-
			True union Ø 25	4.0	0-0.5	x	x	-	-
		20	G 3/4	5.0	0-0.25	x	x	-	-
			True union Ø 25	5.0	0-0.25	x	x	-	-
			True union Ø 25	5.0	0-0.25	x	x	-	-
			True union Ø 25	5.0	0-0.25	x	x	-	-
	D	10	G 3/8	2.0	0-1	x	x	x	x
			G 1/2	2.0	0-1	x	x	x	x
			True union Ø 16	2.0	0-1	x	x	x	x
			True union Ø 20	2.0	0-1	x	x	x	x
		15	G 1/2	4.0	0.5	x	x	x	x
			True union Ø 20	4.0	0.5	x	x	x	x
			True union Ø 25	4.0	0.5	x	x	x	x
			True union Ø 25	4.0	0.5	x	x	x	x
		20	G 3/4	5.0	0-0.25	x	x	x	x
			True union Ø 25	5.0	0-0.25	x	x	x	x
			True union Ø 25	5.0	0-0.25	x	x	x	x
			True union Ø 25	5.0	0-0.25	x	x	x	x
F	10	G 3/8	2.0	0-1	x	x	x	x	
		G 1/2	2.0	0-1	x	x	076537 ㊄	x	
		True union Ø 16	2.0	0-1	055770 ㊄	x	064266 ㊄	052546 ㊄	
		True union Ø 20	2.0	0-1	x	x	x	x	
	15	G 1/2	4.0	0.5	025876 ㊄	x	x	x	
		True union Ø 20	4.0	0.5	049883 ㊄	x	058279 ㊄	052071 ㊄	
		True union Ø 25	4.0	0.5	x	x	x	x	
		True union Ø 25	4.0	0.5	x	x	x	x	
	20	G 3/4	5.0	0-0.25	x	x	x	x	
		True union Ø 25	5.0	0-0.25	067076 ㊄	x	040921 ㊄	054564 ㊄	
		True union Ø 25	5.0	0-0.25	x	x	x	x	
		True union Ø 25	5.0	0-0.25	x	x	x	x	
PVDF	F	10	Weld end Ø 16	2.0	0-1	x	x	x	x
		15	Weld end Ø 20	4.0	0-0.5	x	x	x	x
		20	Weld end Ø 25	5.0	0-0.25	x	x	x	x
Brass	C	10	G 3/8	2.0	0-1	x	x	-	-
		15	G 1/2	4.0	0-0.5	046648 ㊄	x	-	-
		20	G 3/4	5.0	0-0.25	x	x	-	-
	D	10	G 3/8	2.0	0-1	x	x	x	x
		15	G 1/2	4.0	0-0.5	x	x	x	x
		20	G 3/4	5.0	0-0.25	x	x	x	x
	F	10	G 3/8	2.0	0-1	x	x	x	x
		15	G 1/2	4.0	0-0.5	x	x	x	053634 ㊄
		20	G 3/4	5.0	0-0.25	x	x	x	x

3/2-way version, seal material NBR

Body material	Circuit function	Orifice [mm]	Port connection [inch]	Kv value water [m³/h]	Pressure range [bar]	Item no. per voltage / frequency			
						24 V/UC	230 V/UC	24 V/50 Hz	230 V/50 Hz
Brass	C	10	G 3/8	2.0	0-1	048997 ㊄	059302 ㊄	-	-
		15	G 1/2	4.0	0-0.5	062737 ㊄	062481 ㊄	-	-
		20	G 3/4	5.0	0-0.25	x	049470 ㊄	-	-
	D	10	G 3/8	2.0	0-1	x	x	x	x
		15	G 1/2	4.0	0-0.5	021964 ㊄	x	x	051556 ㊄
		20	G 3/4	5.0	0-0.25	x	x	x	x
	F	10	G 3/8	2.0	0-1	064025 ㊄	x	x	062960 ㊄
		15	G 1/2	4.0	0-0.5	x	x	045916 ㊄	062124 ㊄
		20	G 3/4	5.0	0-0.25	140798 ㊄	x	062119 ㊄	079567 ㊄

X on request

- version not possible

Ordering chart for valves

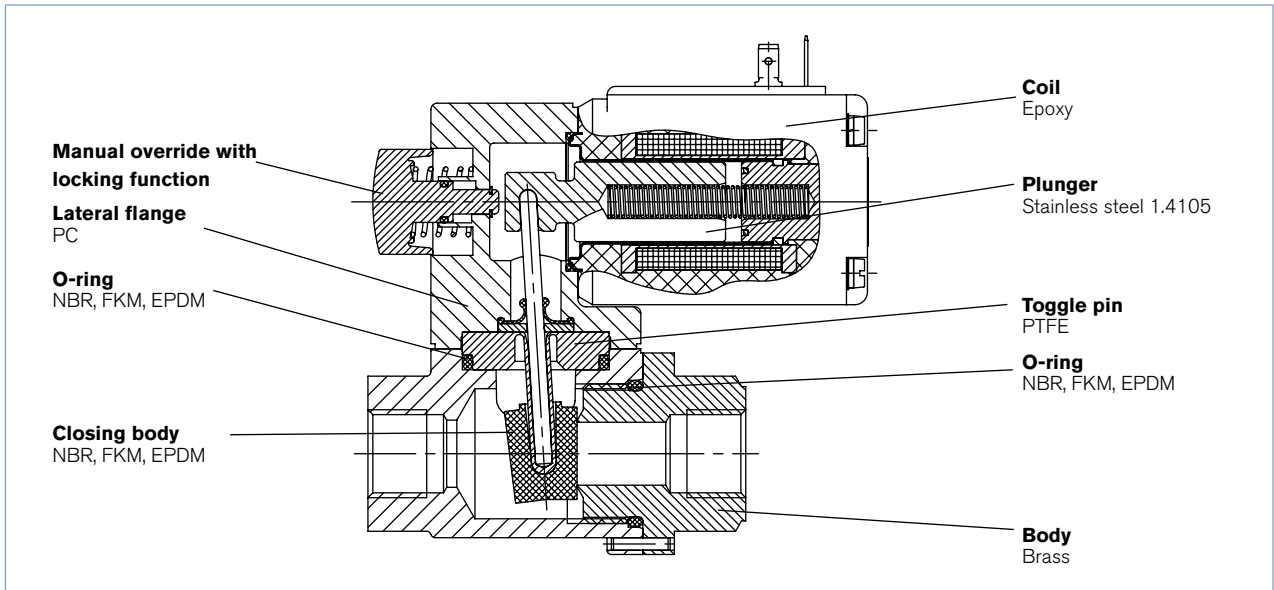
3/2-way version, seal material FKM

Body material	Circuit function	Orifice [mm]	Port connection [inch resp. mm]	Kv value water [m³/h]	Pressure range [bar]	Item no. per voltage / frequency						
						24 V/UC	230 V/UC	24 V/50 Hz	230 V/50 Hz			
PVC	C	10	G 3/8	2.0	0-1	x	x	-	-			
			G 1/2			x	x	-	-			
			True union Ø 16			x	x	-	-			
			True union Ø 20			x	x	-	-			
		15	G 1/2	4.0	0-0.5	x	x	-	-			
			True union Ø 20			x	x	-	-			
			True union Ø 25			x	x	-	-			
			20			G 3/4	5.0	0-0.25	x	x	-	-
		True union Ø 25	x	x	-	-						
		D	10	2.0	0-1	G 3/8	x	x	x	x		
						G 1/2	x	x	x	x		
						True union Ø 16	x	x	x	x		
	True union Ø 20					x	x	x	172866 𐀀			
	15		G 1/2	4.0	0-0.5	x	x	x	x			
			True union Ø 20			x	x	x	x			
	20	G 3/4	5.0	0-0.25	x	x	x	x				
		True union Ø 25			x	x	x	x				
	F	10	2.0	0-1	G 3/8	065194 𐀀	x	x	052183 𐀀			
					G 1/2	x	x	x				
					True union Ø 16	058362 𐀀	x	x	052619 𐀀			
					True union Ø 20	x	x	x	x			
					15	G 1/2	4.0	0.5	x	x	x	x
						True union Ø 20			058710 𐀀	x	x	050904 𐀀
		20	True union Ø 25	5.0	0-0.25	x	020687 𐀀	x	042470 𐀀			
True union Ø 25			058363 𐀀			x	068352 𐀀	066280 𐀀				
PVDF		C	10	Weld end Ø 16	2.0	0-1	x	x	-	-		
			15	Weld end Ø 20	4.0	0-0.5	x	x	-	-		
			20	Weld end Ø 25	5.0	0-0.25	x	x	-	-		
		E	15	G 1/2	4.0	0-0.3	208100 𐀀	x	-	-		
	F	10	Weld end Ø 16	2.0	0-1	x	x	x	235041 𐀀			
		15	Weld end Ø 20	4.0	0-0.5	x	x	x	x			
20		Weld end Ø 25	5.0	0-0.25	x	x	x	x				
Brass	C	10	G 3/8	2.0	0-1	x	x	-	-			
		15	G 1/2	4.0	0-0.5	x	x	-	-			
		20	G 3/4	5.0	0-0.25	x	x	-	-			
	D	10	G 3/8	2.0	0-1	x	x	x	x			
		15	G 1/2	4.0	0-0.5	x	x	x	x			
		20	G 3/4	5.0	0-0.25	x	x	x	x			
	F	10	G 3/8	2.0	0-1	x	x	x	x			
		15	G 1/2	4.0	0-0.5	053050 𐀀	069814 𐀀	x	058915 𐀀			
		20	G 3/4	5.0	0-0.25	x	x	x	x			
						x	x	x	x			

X on request
- version not possible

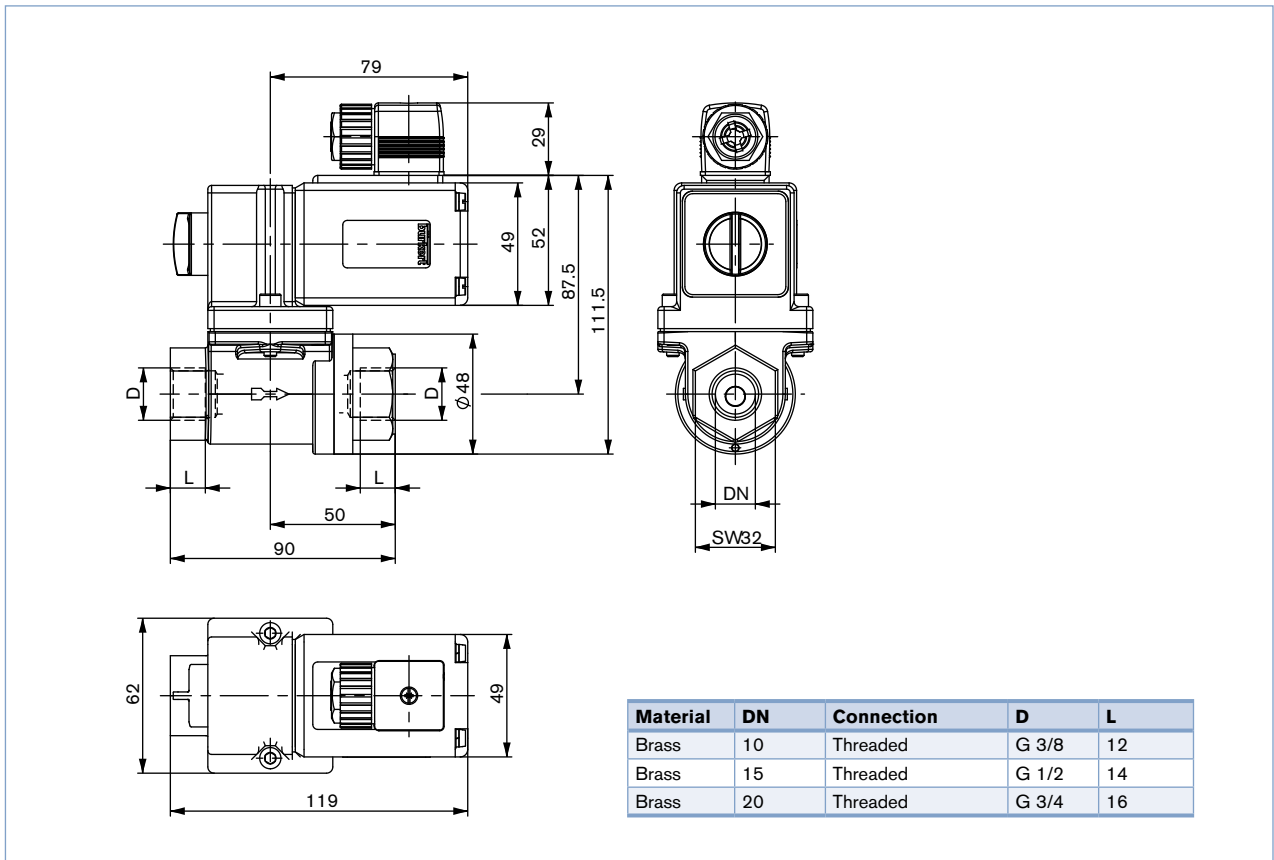
Materials

2/2-way brass version



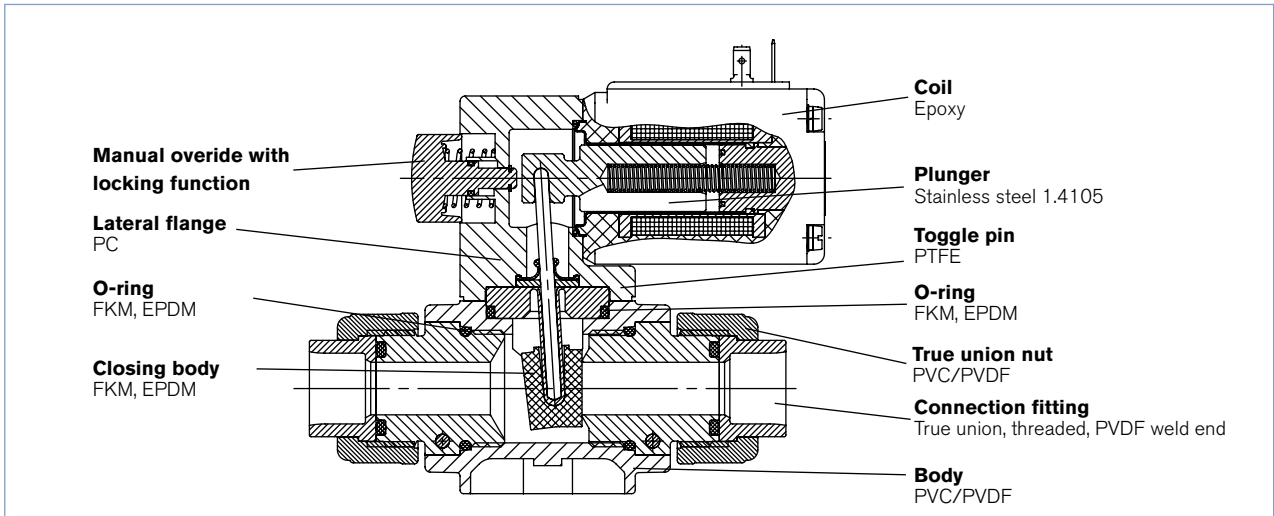
Dimensions [mm]

2/2-way brass version



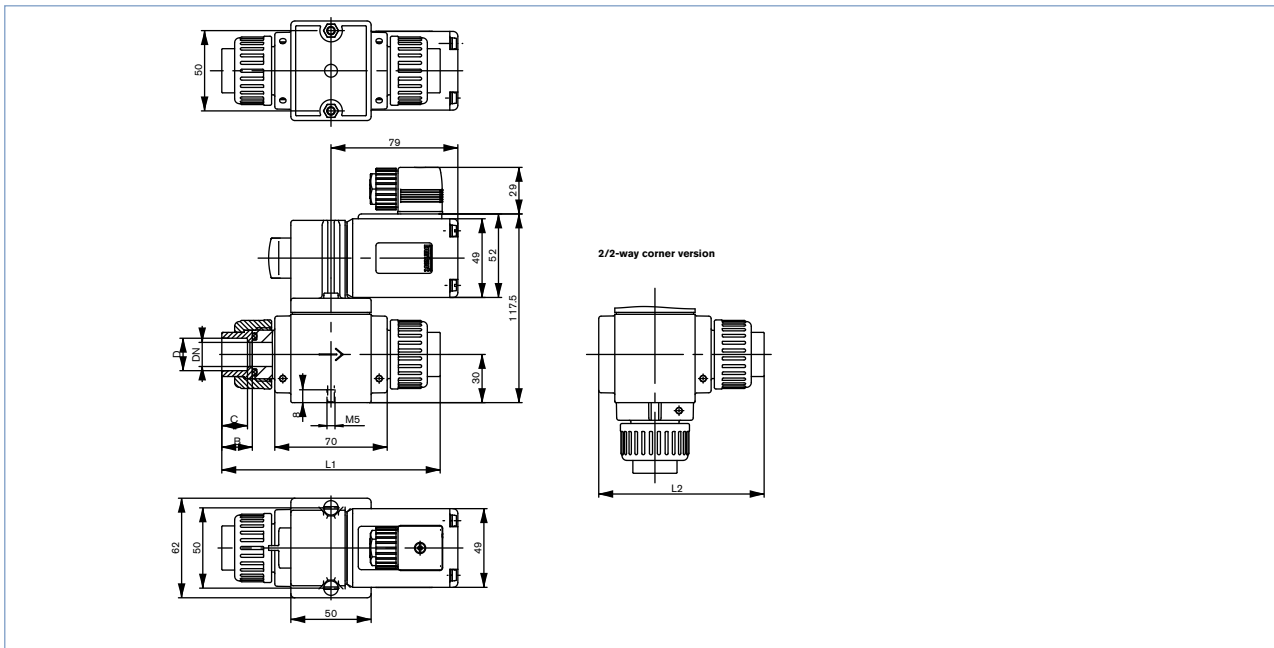
Materials

2/2-way plastic version with true union nut and connection fitting



Dimensions [mm]

2/2-way plastic version with true union nut and connection fitting



Material	DN	Connection	B	C	D	L 1	L 2
PVC	10	True union	17	14	Ø 16.2	130	99.5
		Threaded	17	12	G 3/8	130	99.5
		Threaded	17	12	NPT 3/8	130	99.5
	10 (with port for DN 15)	True union	19	16	Ø 20.2	134	101.5
		Threaded	19	13	G 1/2	134	101.5
		Threaded	19	14	NPT 1/2	134	101.5
	15	True union	19	16	Ø 20.2	136	103.0
		Threaded	19	13	G 1/2	136	103.0
		Threaded	19	14	NPT 1/2	136	103.0
	15 (with port for DN 20)	True union	22	19	Ø 25.2	142	106.0
		Threaded	22	15	G 3/4	142	106.0
		Threaded	22	16	NPT 3/4	142	106.0
20	True union	22	19	Ø 25.2	144	107.0	
	Threaded	22	15	G 3/4	144	107.0	
	Threaded	22	16	NPT 3/4	144	107.0	
PVDF	10	Weld end	18	15	Ø 15.5	132	100.5
	15	Weld end	19	16	Ø 19.35	136	103.0
	20	Weld end	21	18	Ø 24.5	142	106.0

Ordering chart for valves

2/2-way version, seal material EPDM

Body material	Circuit function	Orifice [mm]	Port connection [inch resp. mm]	Kv value water [m ³ /h]	Pressure range [bar]	Item no. per voltage / frequency					
						24 V/UC	230 V/UC	24 V/50 Hz	230 V/50 Hz		
PVC	A	10	G 3/8	2.0	0-3	058900	x	x	056512		
			G 1/2	2.0	0-3	023759	x	x	056795		
			True union Ø 16	2.0	0-3	046949	264450	x	050549		
			True union Ø 20	2.0	0-3	x	x	x	056791		
		15	G 1/2	4.5	0-1	067832	x	x	054831		
			True union Ø 20	4.5	0-1	050809	168193	051028	055423		
			True union Ø 25	4.5	0-1	x	x	x	x		
			20	G 3/4	6.0	0-0.5	049222	x	x	056797	
	20	True union Ø 25	6.0	0-0.5	045225	x	053992	051257			
		B	10	G 3/8	2.0	0-3	x	x	-	-	
				G 1/2	2.0	0-3	x	x	-	-	
				True union Ø 16	2.0	0-3	041272	x	-	-	
	True union Ø 20			2.0	0-3	x	x	-	-		
	15		G 1/2	4.5	0-1	x	x	-	-		
			True union Ø 20	4.5	0-1	x	x	-	-		
			True union Ø 25	4.5	0-1	x	x	-	-		
20			G 3/4	6.0	0-0.5	x	x	-	-		
True union Ø 25	6.0	0-0.5	x	051748	-	-					
PVDF	A	10	Weld end Ø 16	2.0	0-3	131273	274340	x	x		
		15	Weld end Ø 20	4.5	0-1	x	x	x	197985		
		20	Weld end Ø 25	6.0	0-0.5	x	x	x	x		
	B	15	Weld end Ø 20	4.5	0-1	x	x	-	-		
		Brass	A	10	G 3/8	2.0	0-3	x	x	x	x
				15	G 1/2	4.5	0-1	x	x	x	056281
20	G 3/4			6.0	0-0.5	x	x	x	x		
B	10		G 3/8	2.0	0-2	x	x	x	x		
	15		G 1/2	4.5	0-1	049793	x	x	x		
	20		G 3/4	6.0	0-0.5	x	x	x	x		

2/2-way version, seal material NBR

Body material	Circuit function	Orifice [mm]	Port connection [inch resp. mm]	Kv value water [m ³ /h]	Pressure range [bar]	Item no. per voltage / frequency			
						24 V/UC	230 V/UC	24 V/50 Hz	230 V/50 Hz
Brass	A	10	G 3/8	2.0	0-3	057475	x	x	053059
		15	G 1/2	4.5	0-1	054102	x	x	052221
		20	G 3/4	6.0	0-0.5	049751	x	063602	048490
	B	10	G 3/8	2.0	0-2	x	051685	x	x
		15	G 1/2	4.5	0-1	058371	046466	x	x
		20	G 3/4	6.0	0-0.5	050461	053807	x	x

X on request

- version not possible

Ordering chart for valves

2/2-way version, seal material FKM

Body material	Circuit function	Orifice [mm]	Port connection [inch resp. mm]	Kv value water [m ³ /h]	Pressure range [bar]	Item no. per voltage / frequency			
						24 V/UC	230 V/UC	24 V/50 Hz	230 V/50 Hz
PVC	A	10	G 3/8	2.0	0-3	x	x	x	x
			G 1/2	2.0	0-3	086273	x	x	x
			True union Ø 16	2.0	0-3	047915	x	052953	050443
		True union Ø 20	2.0	0-3	056060	x	055817	056789	
		15	G 1/2	4.5	0-1	047398	x	x	056663
			True union Ø 20	4.5	0-1	053882	x	051641	050787
			True union Ø 25	4.5	0-1	x	x	x	058369
		20	G 3/4	6.0	0-0.5	x	x	x	056794
			True union Ø 25	6.0	0-0.5	056495	x	050551	051351
	B	10	G 3/8	2.0	0-3	x	x	-	-
			G 1/2	2.0	0-3	x	x	-	-
			True union Ø 16	2.0	0-3	058361	053221	-	-
		True union Ø 20	2.0	0-3	x	x	-	-	
		15	G 1/2	4.5	0-1	x	x	-	-
			True union Ø 20	4.5	0-1	047503	045439	-	-
			True union Ø 25	4.5	0-1	x	x	-	-
		20	G 3/4	6.0	0-0.5	x	x	-	-
True union Ø 25			6.0	0-0.5	051969	x	-	-	
PVDF	A	10	Weld end Ø 16	2.0	0-3	78854	x	x	x
		15	Weld end Ø 20	4.5	0-1	x	x	x	130920
		20	Weld end Ø 25	6.0	0-0.5	x	x	x	x
	B	10	Weld end Ø 16	2.0	0-2	x	255332	-	-
		15	Weld end Ø 20	4.5	0-1	x	x	-	-
		20	Weld end Ø 25	6.0	0-0.5	x	x	-	?
Brass	A	10	G 3/8	2.0	0-3	054053	x	048664	044502
		15	G 1/2	4.5	0-1	025537	x	x	040549
		20	G 3/4	6.0	0-0.5	069752	x	x	048622
	B	10	G 3/8	2.0	0-2	x	x	x	x
		15	G 1/2	4.5	0-1	059360	046643	x	x
		20	G 3/4	6.0	0-0.5	x	x	x	x

X on request
- version not possible

To find your nearest Bürkert facility, click on the orange box → www.burkert.com

In case of special application conditions,
please consult for advice.

Subject to alterations
© Christian Bürkert GmbH & Co. KG

1712/5_EU-en_00891604