



Digital electropneumatic positioner SideCONTROL

- Compact and robust design
- Easy to start up using X.TUNE function
- Integrated diagnostic functions for valve monitoring
- Dynamic actuating system with no air consumption in controlled state
- EtherNet/IP, PROFINET, Modbus TCP, PROFIBUS DP-V1 or Bürkert system bus (bÜS)

Product variants described in the data sheet may differ from the product presentation and description.

Can be combined with

	Type 8805 Ball valve / Butterfly valve with pneumatic rotary actuator	▶
	Type 2051 Pneumatic rotary actuator	▶
	Type 8798 Remote sensor for pneumatically actuated process valves	▶
	Type 2301 Pneumatically operated 2-way Globe Control Valve	▶
	Type 2300 Pneumatically operated 2-way angle seat control valve ELEMENT	▶
	Type 2103 2/2-way diaphragm valve with pneumatic stainless steel actuator (Type ELEMENT) for decentralised automation	▶

Type description

The robust and compact positioner is designed with standardisation according to IEC 60534 - 6 - 1 or VDI/VDE 3845 (IEC 60534 - 6 - 2) for assembly onto linear and rotary actuators. In addition, the variant with remote position sensor can be combined with Bürkert process control valves for closed-loop control. The digital electropneumatic positioner, SideCONTROL, can be operated with all standard current and voltage standard signals and can also optionally be equipped with the fieldbus interface. The positioner is equipped with additional diagnostic functions to monitor the valve. Valve diagnostic messages via status signals are issued in accordance with NE107 (NAMUR) and recorded as historical entries. The diagnostics can be used to monitor the operating conditions of the control valve which makes maintenance decisions predictable and optimises the availability of the plants as required. Operation occurs via the external operating and display module consisting of a graphic display with backlight. For the user, this results in very simple and clear operation, which is identical to the Bürkert ELEMENT Type 8692/8693 positioners and process controllers. The pneumatic actuating system can be used equally for single-acting and double-acting actuators. It features a defined safety response in the event of failure of the electrical or pneumatic power supply and has an enormous air capacity range with pressure supply up to 7 bar.

DTS 1000121137 EN Version: AJ Status: RL (released | freigegeben | valide) printed: 16.04.2025

Table of contents

1. General technical data	4
1.1. Positioner SideCONTROL Type 8792	4
1.2. Linear remote position sensor (ELEMENT Type 8798).....	6
1.3. Rotative remote position sensor (NAMUR)	7
1.4. Position feedback with proximity switches (accessories for retrofitting)	7
1.5. Booster	8
2. Approvals and conformities	9
2.1. General notes	9
2.2. Conformity	9
2.3. Standards	9
2.4. Explosion protection.....	9
Positioner SideCONTROL Type 8792	9
2.5. North America (USA/Canada)	9
Positioner SideCONTROL Type 8792	9
Linear position sensor, remote (ELEMENT Type 8798)	9
Rotative position sensor, remote (NAMUR Type 8798).....	10
2.6. Others	10
China Compulsory Certification (CCC).....	10
3. Dimensions	11
3.1. NAMUR variant.....	11
NAMUR variant with booster	12
3.2. Remote variant	13
3.3. Mounting specification of NAMUR/Remote variant.....	14
NAMUR variant.....	14
Remote variant	14
3.4. ATEX/IECEx variant.....	15
3.5. Remote position sensor variant.....	15
3.6. Mounting on control valve according to NAMUR.....	16
4. Device/Process connections	17
4.1. Electrical connections	17
Multipole connection.....	17
PROFIBUS DP connection	19
EtherNet/IP, PROFINET, Modbus TCP connection	20
Bürkert system bus (bÜS) connection	21
5. Performance specifications	23
5.1. Signal flow diagram	23
Position control loop.....	23
Additional software options of positioner SideCONTROL Type 8792 (extract).....	23
5.2. Interface diagram	24
Variant without fieldbus communication	24
Variant with fieldbus communication	24

6. Product installation	25
6.1. Mounting options.....	25
NAMUR variant.....	25
Remote variant.....	26
Position feedback with proximity switches.....	27
Retrofitting to Booster.ready.....	27
6.2. Mounting options.....	28
NAMUR variant for Samson valves.....	28
6.3. Combination possibilities with pneumatic process valves.....	30
7. Ordering information	31
7.1. Bürkert eShop.....	31
7.2. Bürkert product filter.....	31
7.3. Ordering chart.....	32
Positioner SideCONTROL Type 8792 NAMUR variant.....	32
Positioner SideCONTROL Type 8792 remote variant.....	33
Remote position sensor for remote variant of SideCONTROL Type 8792.....	33
7.4. Ordering chart accessories.....	34
Standard accessories.....	34
Accessories SideCONTROL NAMUR.....	34
Accessories SideCONTROL Remote.....	34

DTS 1000121137 EN Version: AJ Status: RL (released | freigegeben | valide) printed: 16.04.2025

1. General technical data

1.1. Positioner SideCONTROL Type 8792

Product properties	
Dimensions	Further information can be found in chapter "3. Dimensions" on page 11.
Material	
Housing	Aluminium, plastic-coated
Seal	EPDM, NBR, FKM
Operation	
Display	Graphic display with backlight and intuitive menu navigation
Operating keys	Membrane keypad with 4 keys
Service interface	Connected to PC via USB connection
Configuration tool	Bürkert Communicator PACTware (only for device variants with PROFIBUS)
Commissioning	
Initialisation positioner	Automatic by X.TUNE function (automatic adjustment of the positioner)
Status display	
Optical position indicator (mechanical)	Integrated (for NAMUR Variant)
Communication	
Fieldbus	EtherNet/IP, PROFINET, Modbus TCP, PROFIBUS DP-V1
Digital	Bürkert system bus (bÜS) (based on CANopen)
Performance data	
Position sensor	
Integrated position sensor (NAMUR)	Conductive plastic rotary potentiometer
External remote position sensor	Linear or rotative
Measuring range for rotary actuator	
PROFIBUS	Rotation angle: 30°..150°
EtherNet/IP, PROFINET, Modbus TCP, bÜS, without fieldbus communication	Rotation angle: 30°..180°
Stroke range for linear actuator	3..130 mm, depending on the lever of the attachment kit
Electrical data	
Operating voltage	24 V DC \pm 10 %
Residual ripple	Max. 10 %
Power consumption	< 5 W
Protection class	III according to DIN EN 61140
Input /Output	
Digital input	1 digital input, galvanically isolated, 0...5 V = log „0“, 10...30 V = log „1“
Digital output	2 digital output (optional), galvanically isolated
Current limitation pro digital output	100 mA, output will be synchronised when overloaded
Analogue output	1 output (optional) 0/4...20 mA, 0...5/10 V
Input data setpoint and actual value	
Setpoint signal	
Setpoint setting	0/4...20 mA 0...5/10 V
Input resistance	0/4...20 mA: 70 Ω 0...5/10 V: 20 k Ω
Electrical connection	
Multipole variant	Screw terminals: M8, M12 according to device variant (see connection description)
Cable gland variant	2x M20 \times 1.5 (cable \varnothing 6...12 mm) on screw terminals (0.14...1.5 mm ²)
Remote variant	1x M12 \times 1.5 (cable \varnothing 3...6.5 mm)

Pneumatic data	
Control medium	Neutral gases, air, quality class according to ISO 8573 - 1
Dust content	Class 7 (< 40 µm particle size)
Particle density	Class 5 (< 10 mg/m ³)
Pressure dew point	Class 3 (≤ - 20 °C)
Oil content	Class X (< 25 mg/ m ³)
Air supply filter	Exchangeable
Mesh size	Approx. 0.1 mm
Supply pressure	1.4...7 bar ¹⁾²⁾
Pilot air port	Threaded port G ¼
Positioning system	
Universal air capacity	
Single and double acting	50 l _N /min (at 1.4 bar ²⁾) for aeration and ventilation 150 l _N /min (at 6 bar ²⁾) for aeration and ventilation Q _{Nn} = 100 l _N /min
Booster.ready	A booster module can be fitted to appliances with the Booster.ready function, increasing the air flow rate to > 1000 l _N /min
Low air capacity	
Single acting	Q _{Nn} = 7 l _N /min (Q _{Nn} according to definition at pressure drop from 7 to 6 bar abs)
Approvals and conformities	
Explosion protection	
Ignition protection class	II 3D Ex tc IIIC T135 °C Dc II 3G Ex ec IIC T4 Gc
ATEX	BVS 16 ATEX E 118 X II 3G Ex ec ic IIC T4 Gc II 3D Ex tc IIIC T135 °C Dc
IECEX	IECEX BVS 16.0091 X Ex ec ic IIC T4 Gc Ex tc IIIC T135 °C Dc
Further information can be found in chapter "2.4. Explosion protection" on page 9.	
North America (USA/Canada)	
CSA for Canada and the USA	UL 429 (Electrically operated valves) CSA C22.2 No. 139 (Electrically operated valves) Further information can be found in chapter "2.5. North America (USA/Canada)" on page 9.
Others	
China Compulsory Certification (CCC)	The products with Ex approval are suitable for import and use for hazardous applications in China. Further information can be found in chapter "2.6. Others" on page 10.
Further information can be found in chapter "2. Approvals and conformities" on page 9.	
Environment and installation	
Operating conditions	
Ambient temperature	
With ATEX-/IECEX approval	0...+ 60 °C
Without Ex approval	- 10...+ 60 °C
Degree of protection	IP65/IP67 according to EN 60529, 4X according to NEMA 250 Standard
Operating altitude	Up to 2000 m above sea level
Installation and mechanical data	
Mounting variant	NAMUR according to IEC 60534 - 6 - 1 resp. VDI/VDE 3845 (IEC 60534 - 6 - 2), remote
Installation position	As required, display above or laterally
Valve actuator (type, size)	Rotary and linear actuators according to NAMUR, ELEMENT Type 2301, 2300 (actuator size Ø 70/90/130/225 mm) and CLASSIC (actuator size Ø175/225 mm) in combination with remote variant, as well as special adaptations for NAMUR and remote variants
Adapter kit	Further information can be found in chapter "7.4. Ordering chart accessories" on page 34.

1.) Supply pressure has to be 0.5...1 bar above the minimum required pilot pressure for the valve actuator.

2.) Pressure data: overpressure to atmospheric pressure

DTS 1000121137 EN Version: AJ Status: RL (released | freigegeben | valide) printed: 16.04.2025

1.2. Linear remote position sensor (ELEMENT Type 8798)

Note:

When mounting the remote positioner away from the actuator, the length of the pneumatic control lines influences the dynamics and accuracy of the position control loop. The length of the control air lines should therefore be as short as possible.

Product properties	
Actual position signal	Digital (RS485)
Detection range of the sensor	3...45 mm (stroke range of valve spindle)
Electrical data	
Operating voltage	24 V DC \pm 10 %
Protection class	III according to DIN EN 61140
Power consumption	< 0.3 W
Electrical connection	
Cable gland (cable length)	1x M16 \times 1.5 (cable \varnothing 5...10 mm) on screw terminals (0.14...1.5 mm ²)
Connection cable	10 m
Approvals and conformities	
Protection class	IP65 and IP67 according to EN 60529, 4X according to NEMA 250 standard
Explosion protection	
Ignition protection class	II 3G Ex ec IIC T4 Gc II 3D Ex tc IIIC T135 °C Dc
Further information can be found in chapter "2. Approvals and conformities" on page 9.	
North America (USA/Canada)	
UL Recognized for the USA and Canada	cULus certificate: 238179 Further information can be found in chapter "2.5. North America (USA/Canada)" on page 9.
Others	
China Compulsory Certification (CCC)	The products with Ex approval are suitable for import and use for hazardous applications in China. Further information can be found in chapter "2.6. Others" on page 10.
Further information can be found in chapter "2. Approvals and conformities" on page 9.	
Environment and installation	
Ambient temperature	- 25...+ 80 °C

1.3. Rotative remote position sensor (NAMUR)

Note:

When mounting the remote positioner away from the actuator, the length of the pneumatic control lines influences the dynamics and accuracy of the position control loop. The length of the control air lines should therefore be as short as possible.

Product properties	
Stroke range when mounted to linear actuator	3...130 mm, depending on the lever of the attachment kit
Actual position signal	Digital (RS485)
Measuring range	Rotation angle 30°...180°
Electrical data	
Operating voltage	10...30 V DC
Protection class	III according to DIN EN 61140
Power consumption	< 0.8 W
Electrical connection	2 m round cable (shielded)
Approvals and conformities	
Protection class	IP65 according to EN 60529
North America (USA/Canada)	
UL Recognized for the USA and Canada	cULus certificate: E226909 Further information can be found in chapter "2.5. North America (USA/Canada)" on page 9.
Further information can be found in chapter "2. Approvals and conformities" on page 9.	
Environment and installation	
Ambient temperature	- 25...+ 80 °C

1.4. Position feedback with proximity switches (accessories for retrofitting)

Note:

The feedback unit possesses 2 proximity switches that can be adjusted independently of each other via switch flags.

Product properties	
Output function	3-wire, normally open contact, PNP
Electrical data	
Electrical connection	M12, 4-pin
Operating voltage	10...30 V DC
Protection class	III according to DIN EN 61140
DC-rated current	≤ 100 mA
Residual ripple	≤ 10 % U _{ss}
Approvals and conformities	
Degree of protection	IP65 and IP67
Further information can be found in chapter "2. Approvals and conformities" on page 9.	

1.5. Booster

Product properties	
Dimensions	Further information can be found in chapter "3. Dimensions" on page 11.
Material	
Housing	Aluminium anodised
Seal	EPDM, NBR, FKM, POM
Electrical data	
Operating voltage	24 V DC \pm 10 % internally supplied by SideCONTROL Type 8792/Type 8793
Power consumption	< 4 W
Protection class	III according to DIN EN 61140
Electrical connection	
Multipole variant	Connection cable with M8 4-pin plug and 2x cable plug Type 2516
Fieldbus devices	Additional adapter cable with M12 8-pin distributor and M8 4-pin socket
Pneumatic data	
Supply pressure	3...7 bar ^{1) 2)}
Pilot air port	Internal-threaded G 1/4
Air flow rate	Ca. 1000 l _N /min
Environment and installation	
Ambient temperature	0°...+ 55 °C
Degree of protection	IP65 according to EN 60529
Installation	Attachment to the pneumatic connections of Booster.ready SideCONTROL Type 8792/Type 8793

1.) Supply pressure has to be 0.5...1 bar above the minimum required pilot pressure for the valve actuator.

2.) Pressure data: overpressure to atmospheric pressure

2. Approvals and conformities

2.1. General notes

- The approvals and conformities listed below must be stated when making enquiries. This is the only way to ensure that the product complies with all required specifications.
- Not all available variants can be supplied with the below mentioned approvals or conformities.

2.2. Conformity



In accordance with the Declaration of Conformity, the product is compliant with the EU Directives.

2.3. Standards

The applied standards which are used to demonstrate compliance with the EU Directives are listed in the EU-Type Examination Certificate and/or the EU Declaration of Conformity.


2.4. Explosion protection

Positioner SideCONTROL Type 8792


Approval	Description
 	Optional: Explosion protection ATEX: BVS 16 ATEX E 118 X II 3G Ex ec ic IIC T4 Gc II 3D Ex tc IIIC T135 °C Dc IECEx: IECEx BVS 16.0091 X Ex ec ic IIC T4 Gc Ex tc IIIC T135 °C Dc

2.5. North America (USA/Canada)

Positioner SideCONTROL Type 8792

Approval	Description
 C US	Optional: CSA for Canada and the USA The products are CSA approved for Canada and the USA according to: <ul style="list-style-type: none"> • CSA C22.2 No. 139 (Electrically operated valves) • UL 429 (Electrically operated valves)

Linear position sensor, remote (ELEMENT Type 8798)

Approval	Description
	Optional: UL Listed for the USA and Canada The products are UL Listed for the USA and Canada according to: <ul style="list-style-type: none"> • UL 61010-1 (ELECTRICAL EQUIPMENT FOR MEASUREMENT, CONTROL, AND LABORATORY USE – Part 1: General Requirements) • CAN/CSA-C22.2 No. 61010-1


Rotative position sensor, remote (NAMUR Type 8798)

Approval	Description
	<p>Optional: UL Listed for the USA and Canada The products are UL Listed for the USA and Canada according to: Certificate no.: E226909</p>

2.6. Others

China Compulsory Certification (CCC)

Positioner SideCONTROL Type 8792 and Linear Position Transducer Remote (ELEMENT Type 8798)

Conformity	Description
	<p>Optional: China Compulsory Certification (CCC) The products with Ex approval are suitable for import and use for hazardous applications in China.</p>

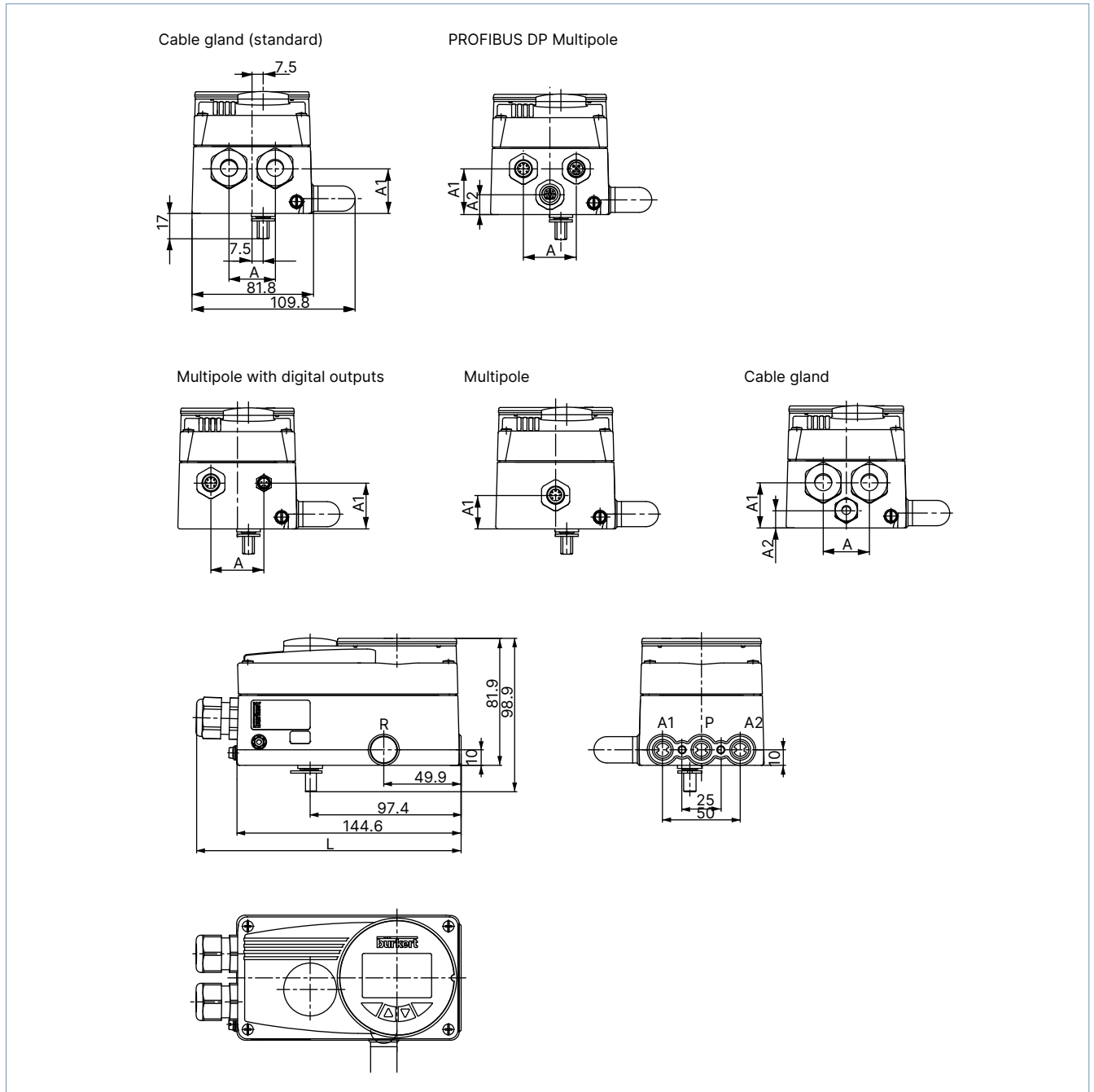
DTS 1000121137 EN Version: AJ Status: RL (released | freigegeben | valide) printed: 16.04.2025

3. Dimensions

3.1. NAMUR variant

Note:

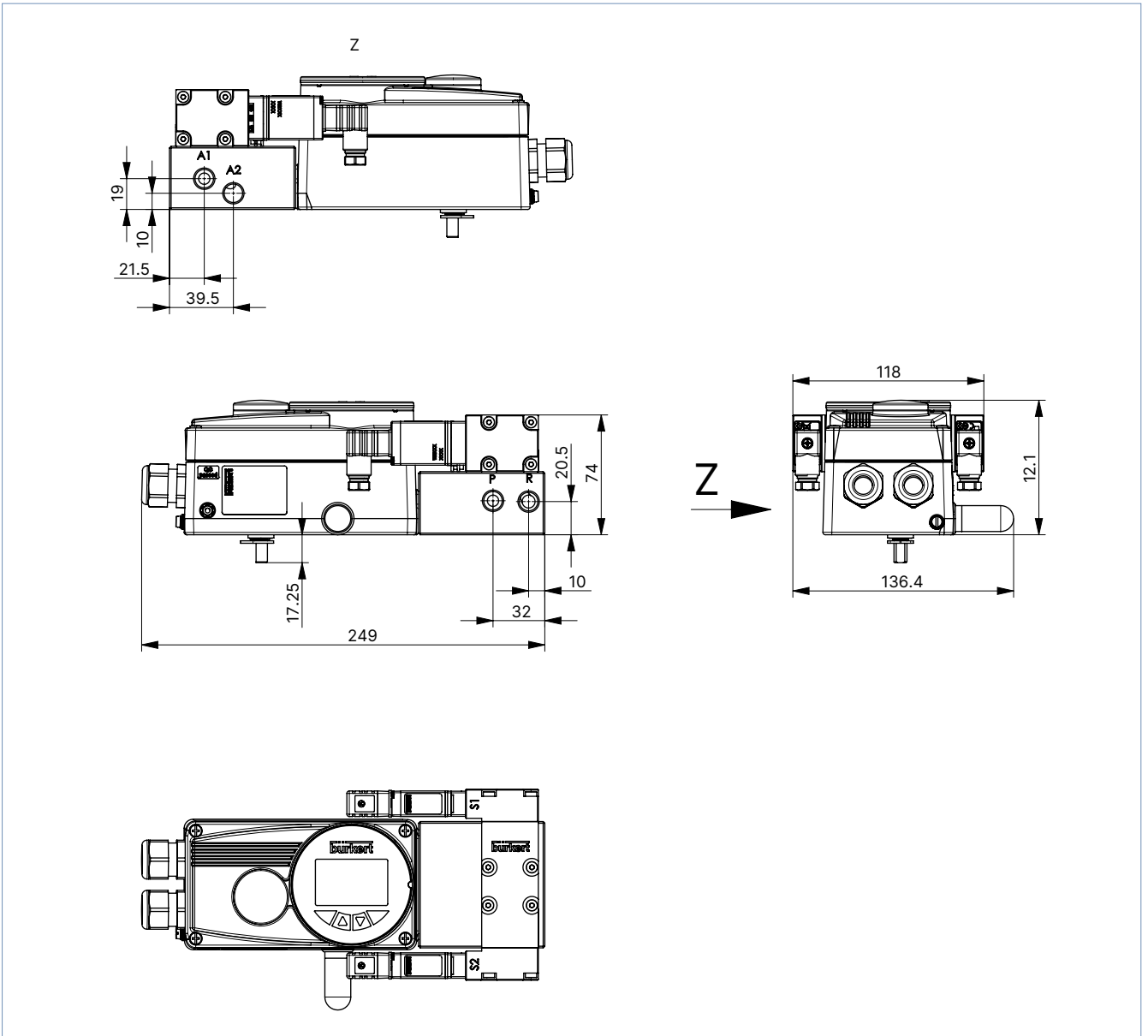
Dimensions in mm



Description	L	A	A1	A2
Standard	171.1	31	30	-
PROFIBUS DP	157.8	36	31	13.5
Multipole digital outputs	157.6	36	31	-
Multipole	157.4	-	22.5	-
Remote	171.1	31	30	11.5

DTS 1000121137 EN Version: AJ Status: RL (released | freigegeben | valide) printed: 16.04.2025

NAMUR variant with booster

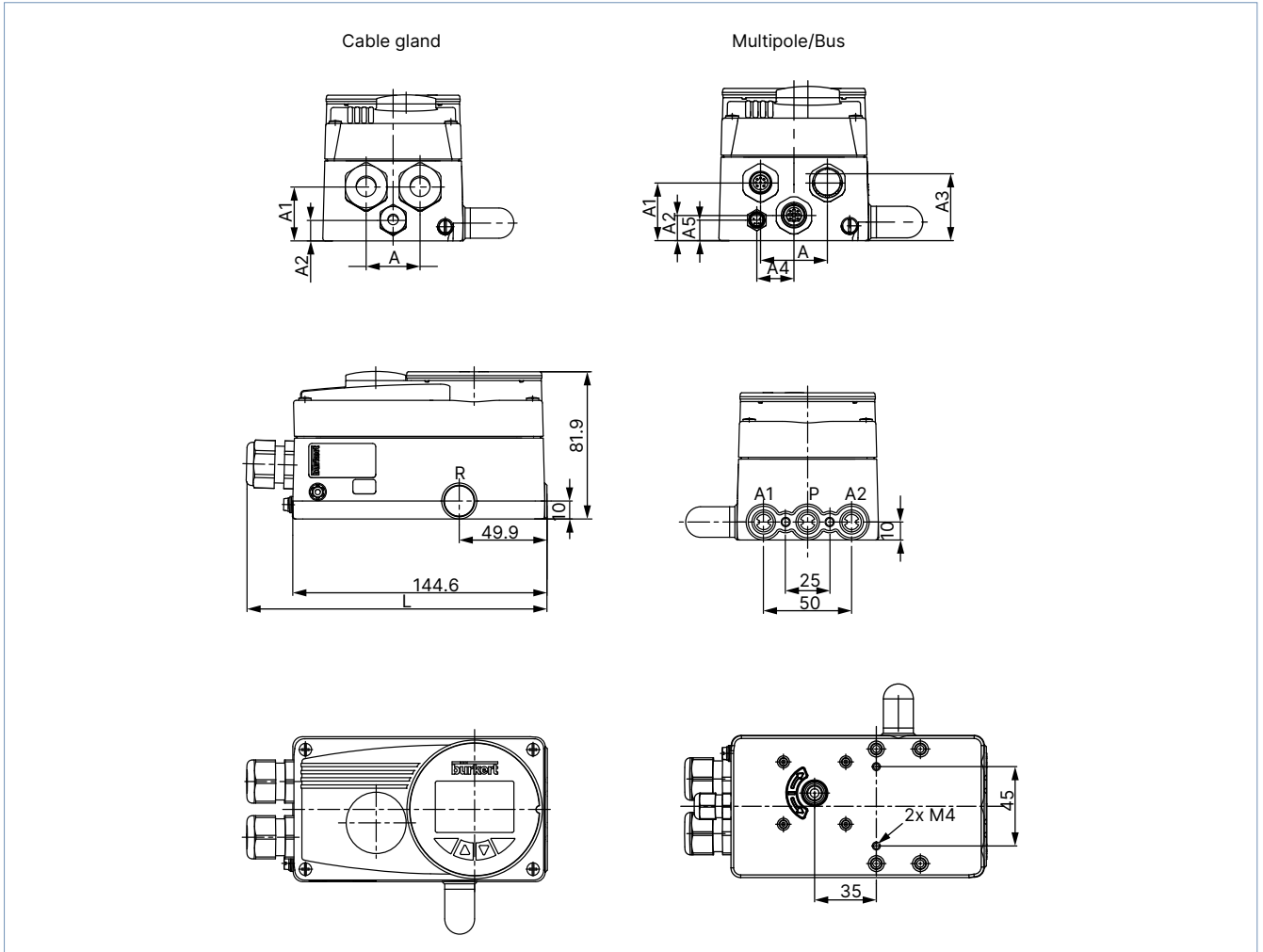


DTS 1000121137 EN Version: AJ Status: RL (released | freigegeben | valide) printed: 16.04.2025

3.2. Remote variant

Note:

Dimensions in mm



Description	L	A	A1	A2	A3	A4	A5
Remote cable gland	171.1	31	30	11.5	-	-	-
Remote multipole/bus	157.8	36	31	13.5	36	20	11

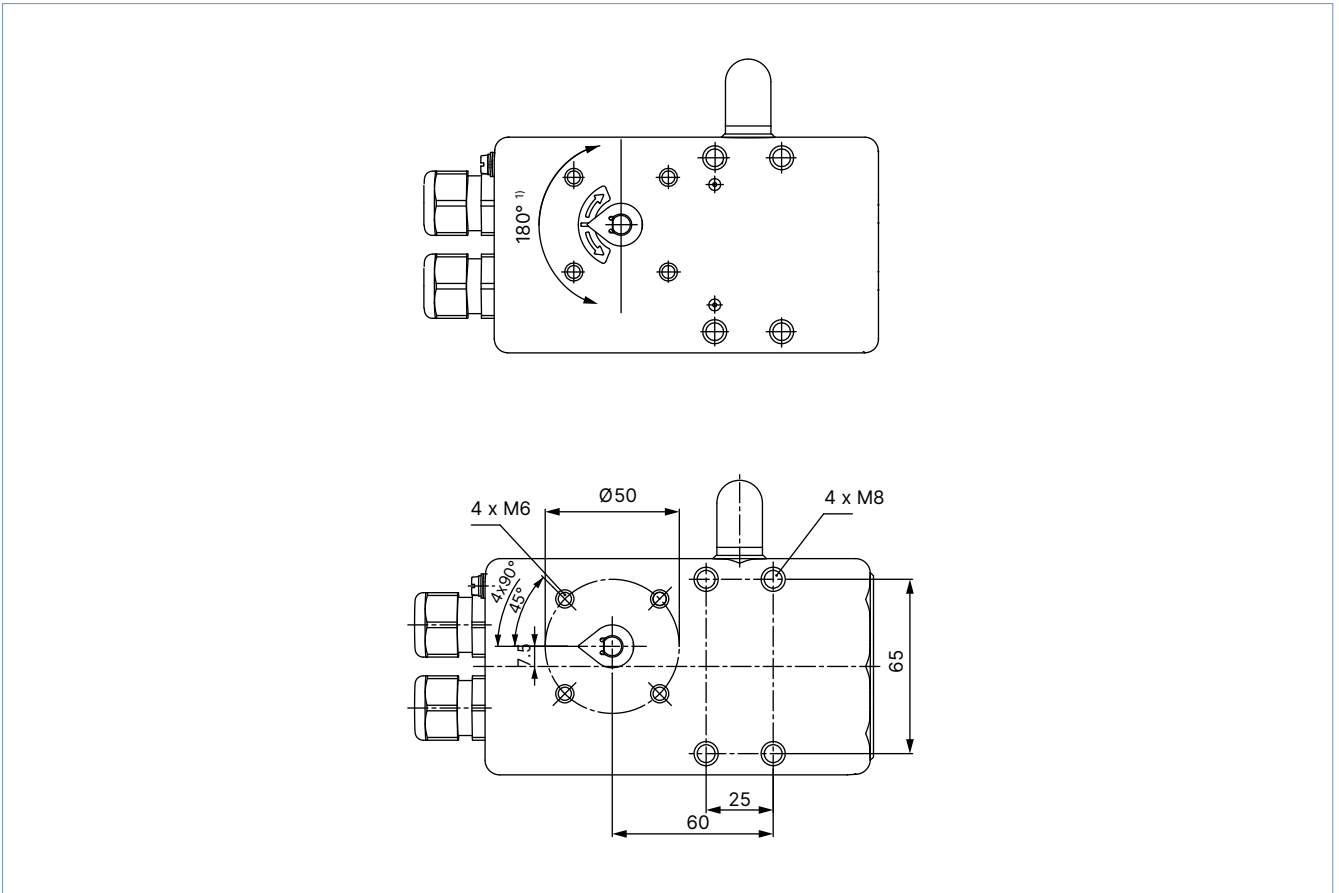
DTS 1000121137 EN Version: AJ Status: RL (released | freigegeben | valide) printed: 16.04.2025

3.3. Mounting specification of NAMUR/Remote variant

Note:

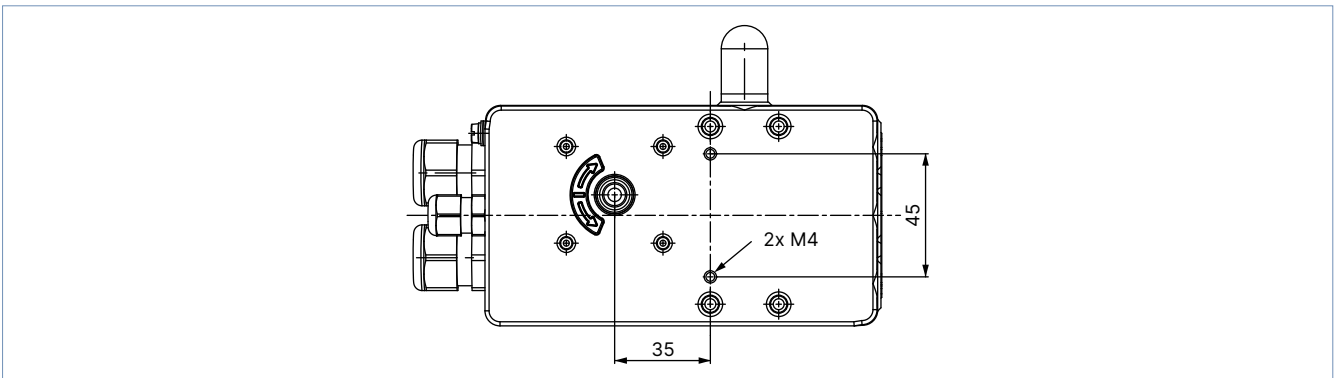
- Dimensions in mm
- The rotary motion of the sensor shaft must be within a range of max. 180°. ^{1.)}
- The sensor shaft must be in this position at approx. 50 % valve opening.

NAMUR variant



1.) With PROFIBUS a maximum of 150° is possible, with the other variants a maximum of 180°.

Remote variant

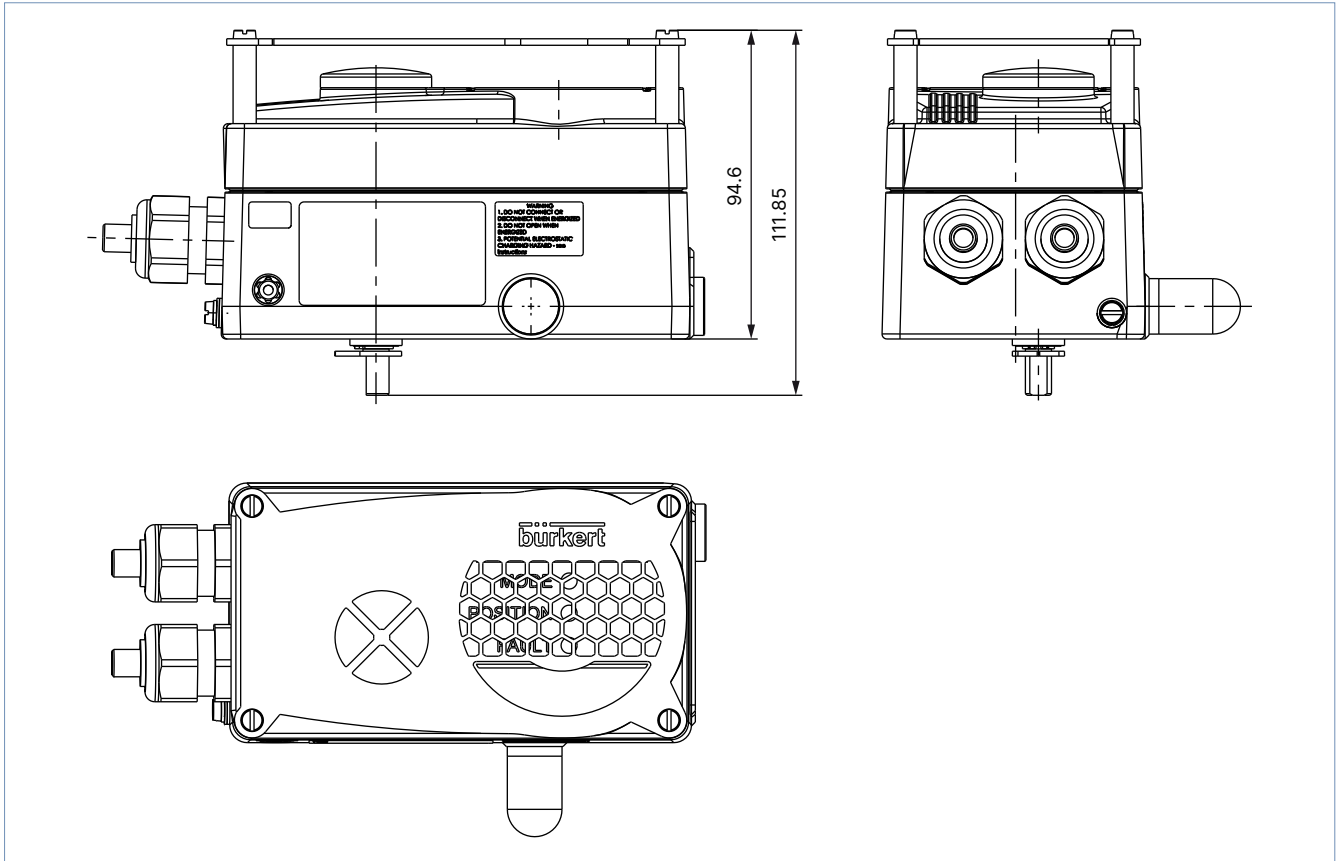


DTS 1000121137 EN Version: AJ Status: RL (released | freigegeben | valide) printed: 16.04.2025

3.4. ATEX/IECEx variant

Note:

Dimensions in mm

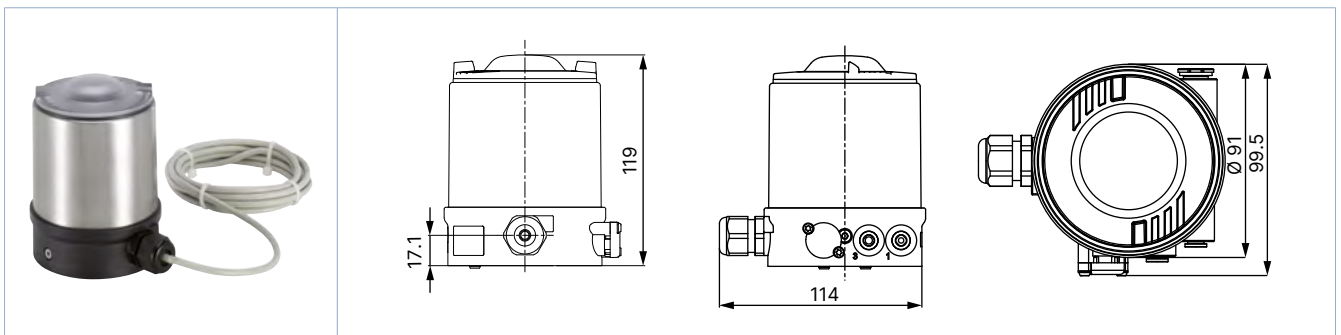


3.5. Remote position sensor variant

Note:

Dimensions in mm

Linear position sensor **Type 8798** ▶ for valve position detection of Bürkert ELEMENT valves and hygienic process valves for the remote Positioner SideCONTROL.



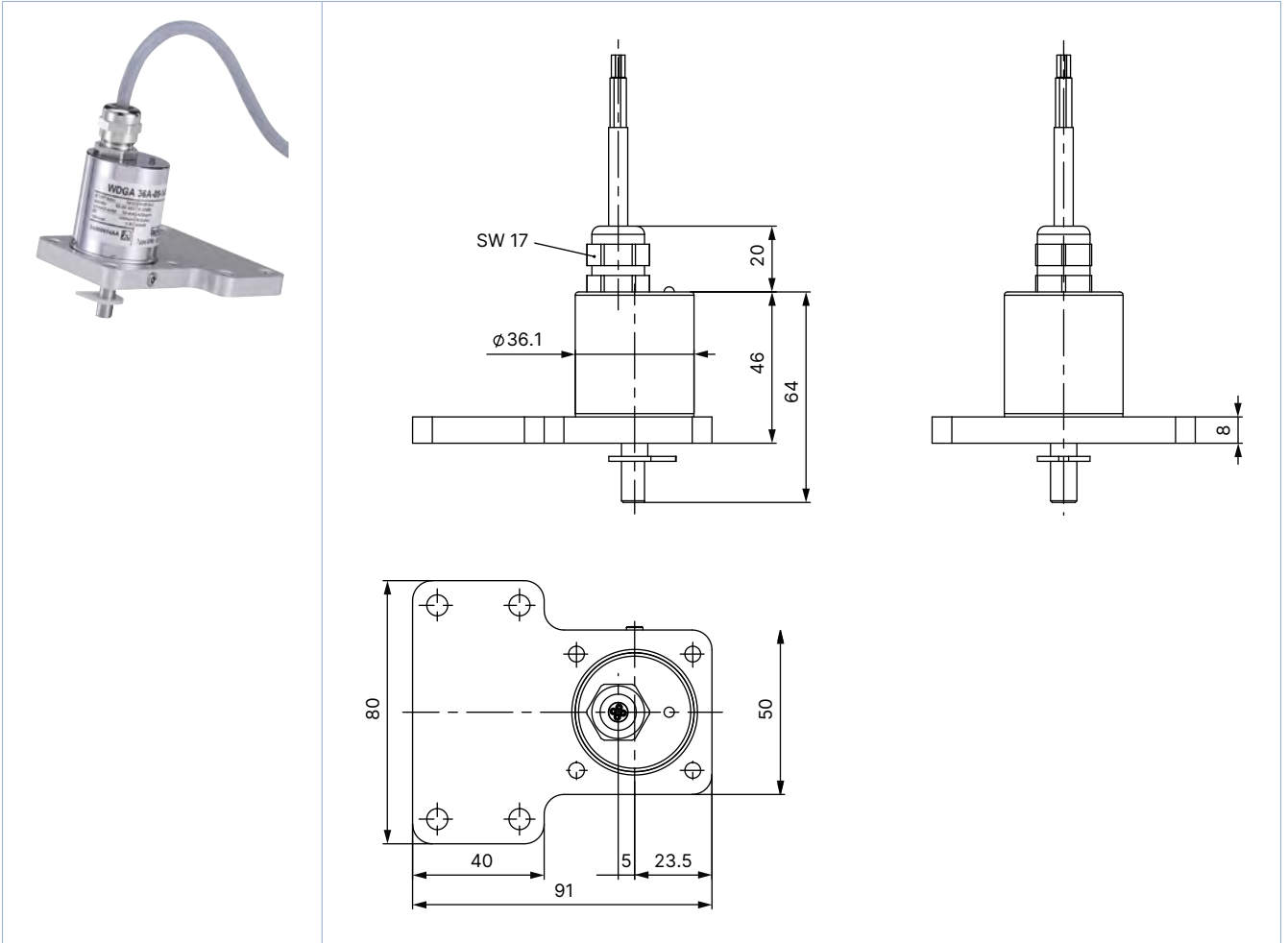
DTS 1000121137 EN Version: AJ Status: RL (released | freigegeben | valide) printed: 16.04.2025

3.6. Mounting on control valve according to NAMUR

Note:

Dimensions in mm

Rotative position sensor to detect rotary motion of rotary actuators according to NAMUR/IEC 60534 - 6 - 1 and VDI/VDE 3845 (IEC 60534 - 6 - 2) for the remote Positioner SideCONTROL.

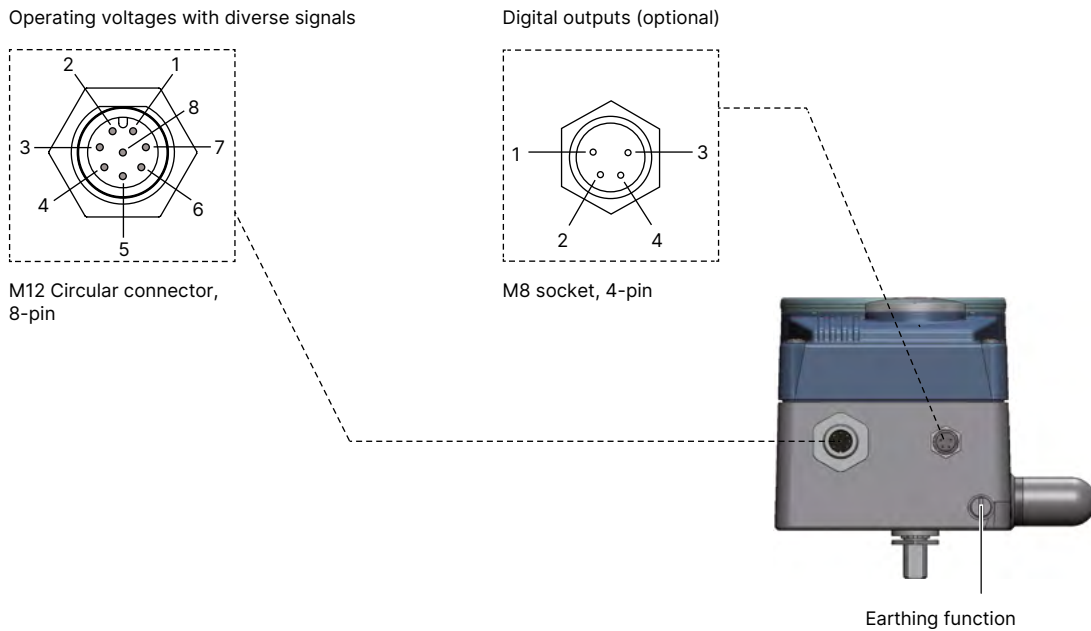


DTS 1000121137 EN Version: AJ Status: RL (released | freigegeben | valide) printed: 16.04.2025

4. Device/Process connections

4.1. Electrical connections

Multipole connection



M12 circular plug, 8-pin (setpoint)

Pin	Pin assignment	Outer circuitry/Signal level	
1	Setpoint + (0/4...20 mA or 0...5/10 V)	1	+ (0/4...20 mA or 0...5/10 V) Completely galvanically isolated
2	Setpoint GND	2	GND
3	GND	3	24 V DC \pm 10 % Max. residual ripple 10 %
4	+ 24 V	4	
5	Digital input +	5	+ 0...5 V (log „0“)
6	Digital input GND	6	10...30 V (log „1“)
Option analogue feedback			
8	Analogue feedback +	8	+ (0/4...20 mA or 0...5/10 V) Completely galvanically isolated
7	Analogue feedback GND	7	GND

M8 socket, 4-pin (only for digital outputs options)

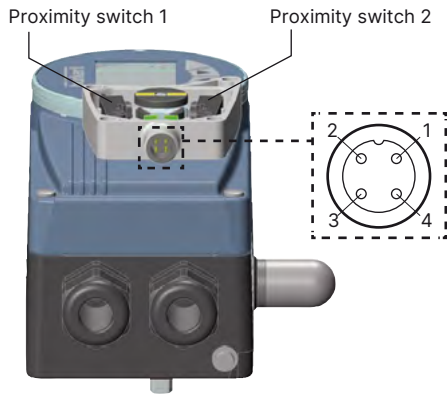
Pin	Pin assignment	Outer circuitry/Signal level	
1	Digital output 1	1	24 V/0 V, NC/NO Relative to operating voltage GND (terminal GND)
2	Digital output 2	2	24 V/0 V, NC/NO Relative to operating voltage GND (terminal GND)
3	Digital output GND	3	GND

DTS 1000121137 EN Version: AJ Status: RL (released | freigegeben | valide) printed: 16.04.2025

Position feedback with proximity switches

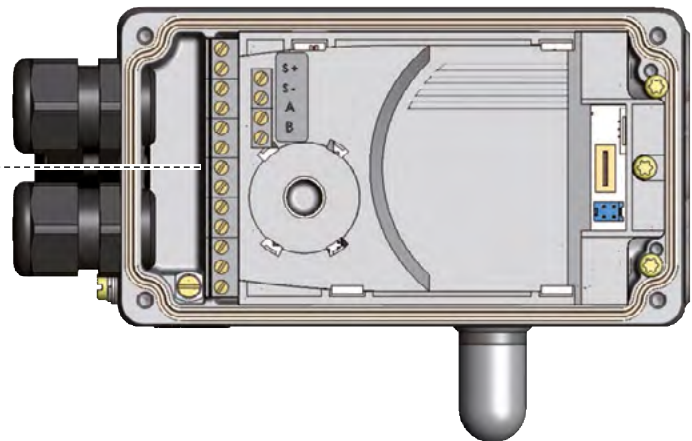
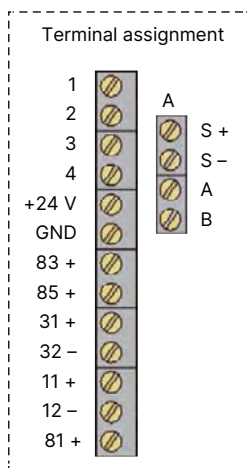
Note:

Accessories for upgrading



No.	Pin assignment	Outer circuitry/Signal level
1	Supply 10...30 V	+ 10...30 V 10...30 V
2	Switching output (NO) proximity switches 1	+ 10...30 V Open/10...30 V
3	GND	GND GND
4	Switching output (NO) proximity switches 2	+ 10...30 V Open/10...30 V

Screw terminal connection



Terminal	Pin assignment	External circuitry/signal level
11 +	Setpoint +	11 + + (0/4...20 mA or 0...5/10 V) Completely galvanically isolated
12 -	Setpoint GND	12 - GND
81 +	Digital input +	81 + 0...5 V (log. "0") 10...30 V (log. "1") Relative to operating voltage GND (terminal GND)
+ 24 V	Operating voltage +	+ 24 V 24 V DC ± 10 %
GND	Operating voltage GND	GND Maximum residual ripple 10 %

DTS 1000121137 EN Version: AJ Status: RL (released | freigegeben | valide) printed: 16.04.2025

Analogue feedback option/digital output

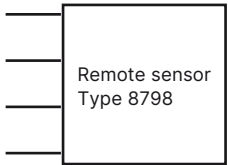
Terminal	Pin assignment	Outer circuitry/Signal level	
83 +	Digital output 1	83 +	 24 V/0 V, NC/NO Relative to operating voltage GND (terminal GND)
85 +	Digital output 2	85 +	 24 V/0 V, NC/NO Relative to operating voltage GND (terminal GND)
31 +	Analogue feedback +	31 +	 + (0/4...20 mA or 0...5/10 V) Completely galvanically isolated
32 -	Analogue feedback GND	32 -	 GND

Remote variant option in conjunction with remote position sensor Type 8798

Note:

For variants without remote variant: Terminals A, B, S + and S - not connected

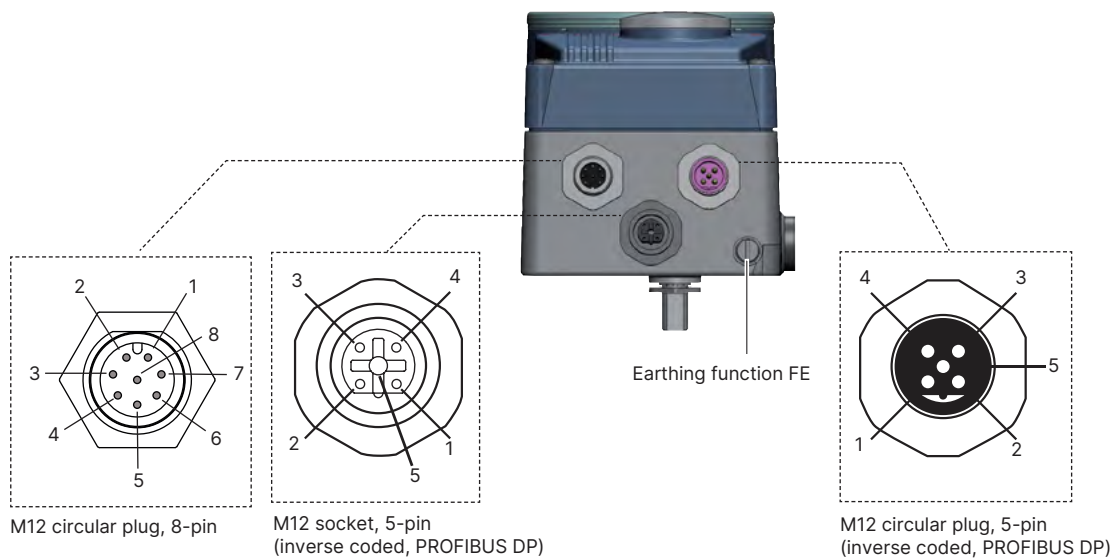
Terminal	Pin assignment	Outer circuitry/Signal level		
Remote position sensor	A	Serial interface, A-line	A	 A-line
	B	Serial interface, B-line	B	 B-line
	S +	Sensor supply +	S +	 +
	S -	Sensor supply -	S -	 -



Remote position sensor Type 8798

Terminal	Wire colour for cable type		Pin assignment	Outer circuitry	
	1	2			
1	White	Black	Sensor supply -	1	 8791 or
2	Brown		Sensor supply +	2	 8792/8793
3	Yellow	Orange	Serial interface, B-line	3	 8791 or
4	Green	Red	Serial interface, A-line	4	 8792/8793

PROFIBUS DP connection



DTS 1000121137 EN Version: AJ Status: RL (released | freigegeben | valide) printed: 16.04.2025

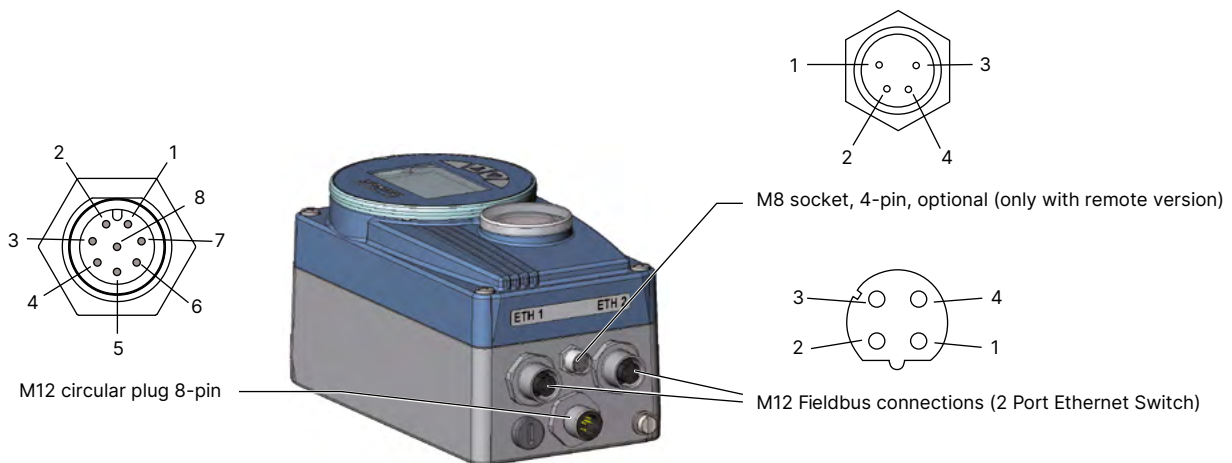
Operating voltage, M12 circular plug, 8-pin

Pin	Pin assignment	Outer circuitry/Signal level	
1	Not assigned		
2	Not assigned		
3	GND	3	24 V DC ± 10 %
4	+ 24 V	4	Maximum residual ripple 10 %
5	Digital input +		
6	Digital input -		
7	Digital output 1 (relative to pin 3)		
8	Digital output 2 (relative to pin 3)		

Fieldbus connection, M12 socket/circular plug, 5-pin

Pin	Pin assignment	Outer circuitry/Signal level
1	VP+ 5	Load resistance supply
2	RxD/TxD-N	Receive/transmit data -N, A-line
3	DGND	Information transfer potential (measured to 5 V)
4	RxD/TxD-P	Receive/transmit data -P, B-line
5	Shield	Shielding/protective earth

EtherNet/IP, PROFINET, Modbus TCP connection



M12 fieldbus connection, D-coded

Connection for EtherNet/IP takes place via an M12 screw terminals, 4-pin, D-coded

Pin	Description
1	Transmit +
2	Receive +
3	Transmit -
4	Receive -

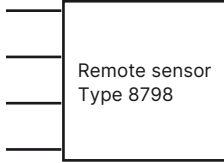
DTS 1000121137 EN Version: AJ Status: RL (released | freigegeben | valide) printed: 16.04.2025

Operating voltage, M12 circular plug, 8-pin

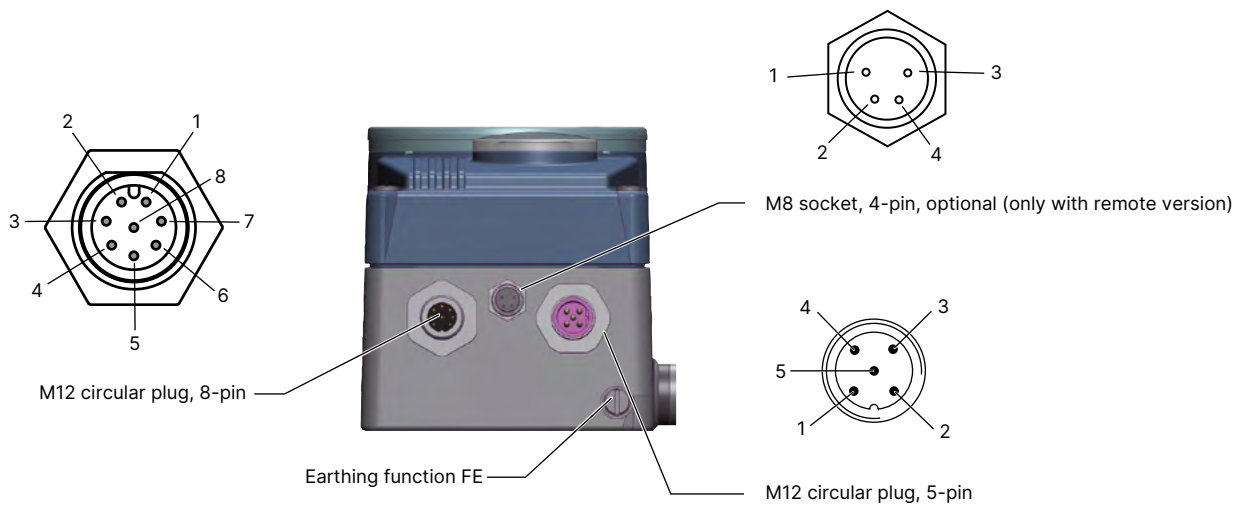
Pin	Pin assignment	Device side	Outer circuitry/Signal level
1	Not assigned		
2	Not assigned		
Operating voltage			
3	GND	3	24 V DC ± 10 % Maximum residual ripple 10 %
4	+ 24 V	4	
Input signal of the control centre (e. g. SPS)			
5	Digital input +	5	0...5 V (log. "0") 10...30 V (log. "1")
6	Digital input -	6	GND (identical to pin 3)
Output signal of the control centre (e. g. SPS) - (only used with digital output option)			
7	Digital output 1 (relative to pin 3)	7	0...24 V
8	Digital output 2 (relative to pin 3)	8	0...24 V

Connection of digital remote position sensor Type 8798, M8 socket, 4-pin (optional)

Pin	Pin assignment	Device side	Outer circuitry
1	Sensor supply +	S +	+
2	Sensor supply -	S -	-
3	Serial interface, A-line	A	A-line
4	Serial interface, B-line	B	B-line



Bürkert system bus (büS) connection



Fieldbus connection screw terminals M12 × 1, 5-pin

Pin	Cable colour	Description
1	CAN Shielding	CAN Shielding
2	Not assigned	
3	Black	GND/CAN_GND
4	White	CAN_H
5	Blue	CAN_L

DTS 1000121137 EN Version: AJ Status: RL (released | freigegeben | valide) printed: 16.04.2025

Operating voltage, circular plug M12, 8-pin

Pin	Pin assignment	Device side	Outer circuitry/Signal level
1	Not assigned		
2	Not assigned		
Operating voltage			
3	GND	3	 24 V DC ± 10 % Maximum residual ripple 10 %
4	+ 24 V	4	
Input signal of the control centre (e. g. SPS)			
5	Digital input +	5	 0...5 V (log „0“) 10...30 V (log „1“) GND (identical to pin 3)
6	Digital input -	6	
Output signal of the control centre (e. g. SPS) (only used with digital output option)			
7	Digital output 1 (relative to pin 3)	7	0...24 V
8	Digital output 2 (relative to pin 3)	8	0...24 V

Connection of digital remote position sensor Type 8798, M8 socket, 4-pin (optional)

Pin	Pin assignment	Device side	Outer circuitry
1	Sensor supply +	S +	 Remote sensor Type 8798
2	Sensor supply -	S -	
3	Serial interface, A-line	A	
4	Serial interface, B-line	B	

Connection of analogue remote position sensor, M8 socket, 4-pin (optional)

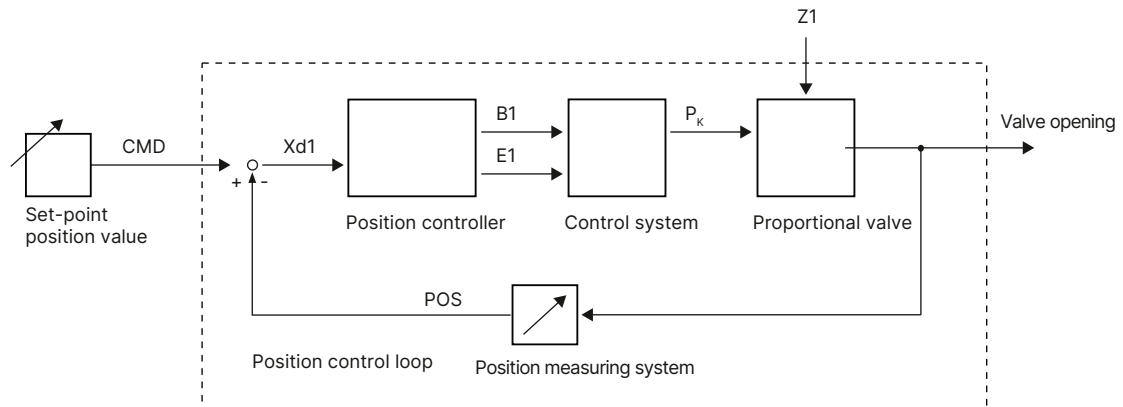
Pin	Pin assignment	Device side	Outer circuitry
1	Potentiometer 1	 Potentio- meter	
2	Wiper 2		
3	Potentiometer 3		
4	Not assigned		

DTS 1000121137 EN Version: AJ Status: RL (released | freigegeben | valide) printed: 16.04.2025

5. Performance specifications

5.1. Signal flow diagram

Position control loop



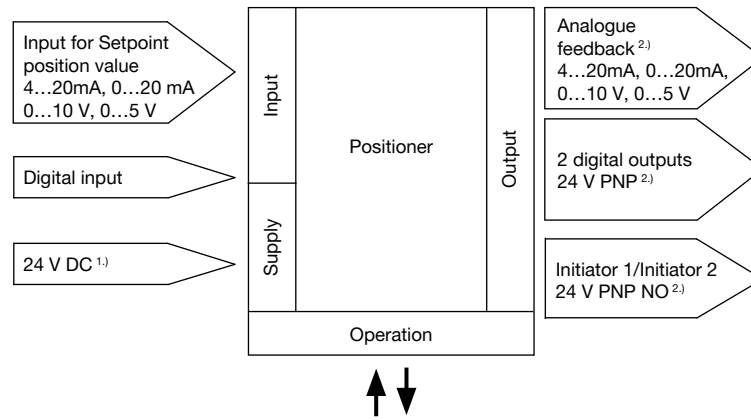
Additional software options of positioner SideCONTROL Type 8792 (extract)

- Automatic commissioning of control system
- Automatic or manual characteristics curves selection
- Setting of seal and maximum stroke threshold respectively
- Parameterisation of positioner
- Limitation of stroke range
- Limitation of manipulating speed
- Setting of moving direction
- Configuration of digital input
- Signal range splitting on several controllers
- Configuration of analogue or 2 digital outputs
- Signal fault detection
- Safety position
- Code protection
- Contrast inversion of display
- Parameterizable diagnostic functions¹⁾/digital output (option)
 - Operating-hours counter
 - Path accumulator
 - Position monitoring
 - Graphical display of dwell time density and movement range
 - Monitoring of mechanical end positions in armature

1.) Further diagnostic functions with detailed description can be found in the **operating Instructions Type 8792** ▶.

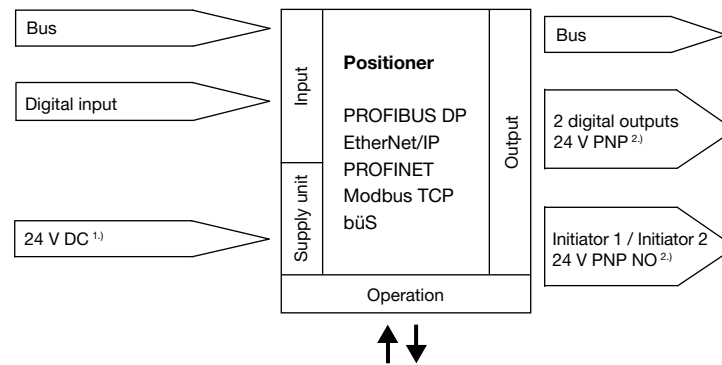
5.2. Interface diagram

Variant without fieldbus communication



Variant with fieldbus communication

PROFIBUS DP, EtherNet/IP, PROFINET, Modbus TCP and Bürkert system bus (büs)



- 1.) Operating voltage is supplied with a 3-wire unit independent from the setpoint signal.
- 2.) Alternative options

6. Product installation

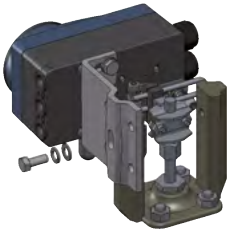

6.1. Mounting options

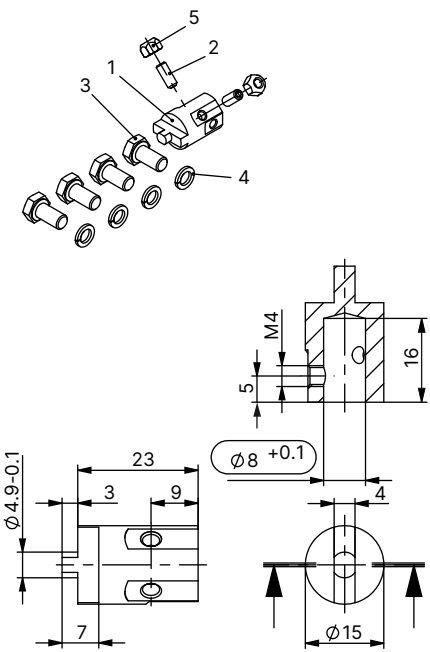
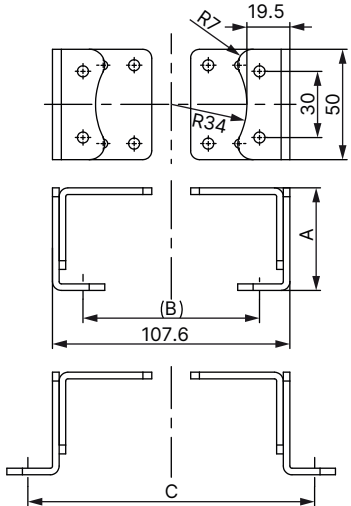
NAMUR variant

Note:

Positioner with integrated position sensor, installation according to NAMUR/IEC 60534 - 6 - 1 and VDI/VDE 3845 (IEC 60534 - 6 - 2)

The NAMUR variant of the Positioner SideCONTROL is equipped with an integrated position sensor (linear or rotary). It has a standardised interface for direct attachment to linear actuators according to NAMUR/IEC 60534 - 6 - 1 and VDI/VDE 3845 (IEC 60534 - 6 - 2).

Linear actuators		Rotary actuators	
See operating manual Type 8792 ▶		See operating manual Type 8792 ▶	
			
Description	Article no.	Description	Article no.
Mounting kit for linear actuators in accordance with IEC 60534 - 6 - 1	787215	Coupling set for shaft part-turn actuator	787338
		Mounting bracket stainless steel	770294
		Mounting bracket black powder-coated	775710

Coupling set for shaft part-turn actuator (Article no. 787338)	Mounting bracket for rotary actuator (Article no. 770294/775710)
	

Actuator shaft height [mm]	A [mm]	B [mm]	C [mm]
20	46.5	80	-
30	56.5	80	130
50	76.5	-	130

DTS 1000121137 EN Version: AJ Status: RL (released | freigegeben | valide) printed: 16.04.2025

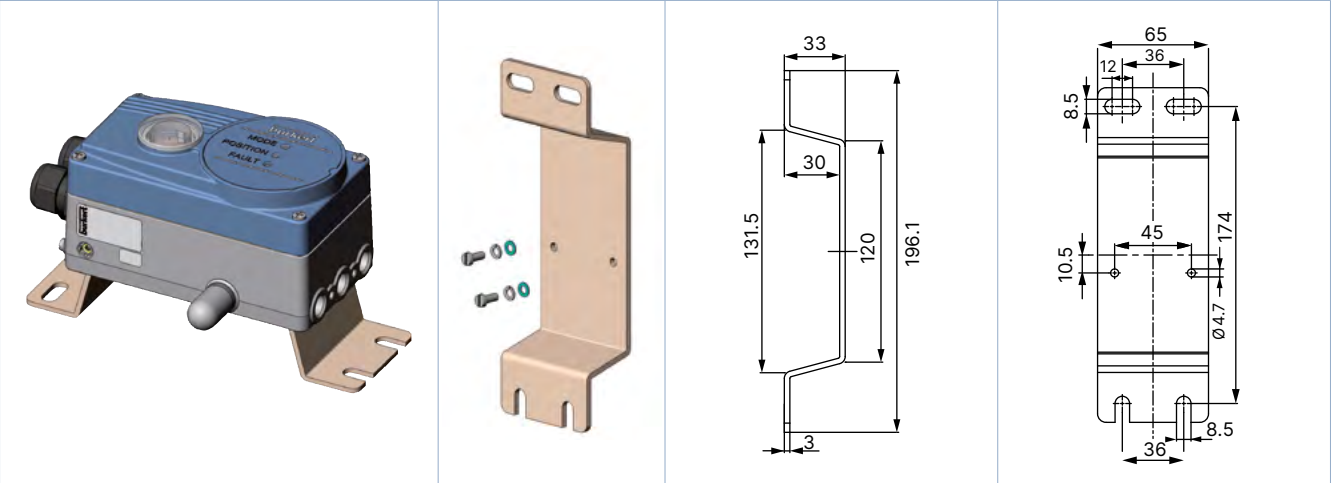
Remote variant

Note:

- Dimensions in mm
- 2 mounting options

The Positioner SideCONTROL remote variant is used to control process control valves in combination with a remote position sensor. The remote position sensor is mounted directly on the valve to detect the valve position. The remote positioner can be mounted on the wall or on a standard rail in a control cabinet.

Wall mounting with accessory bracket

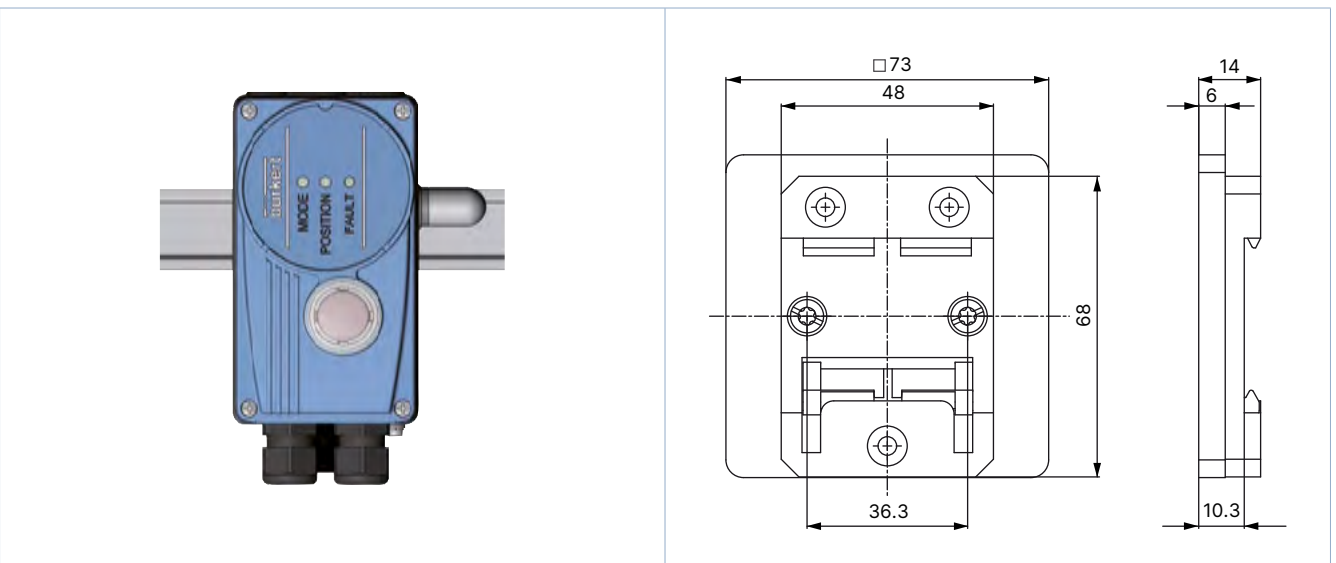


Description	Article no.
Bracket for wall mounting	675715

Mounting on Standard rail

Note:

- Dimensions in mm
- Adapter can be turned by 90° the standard rail.



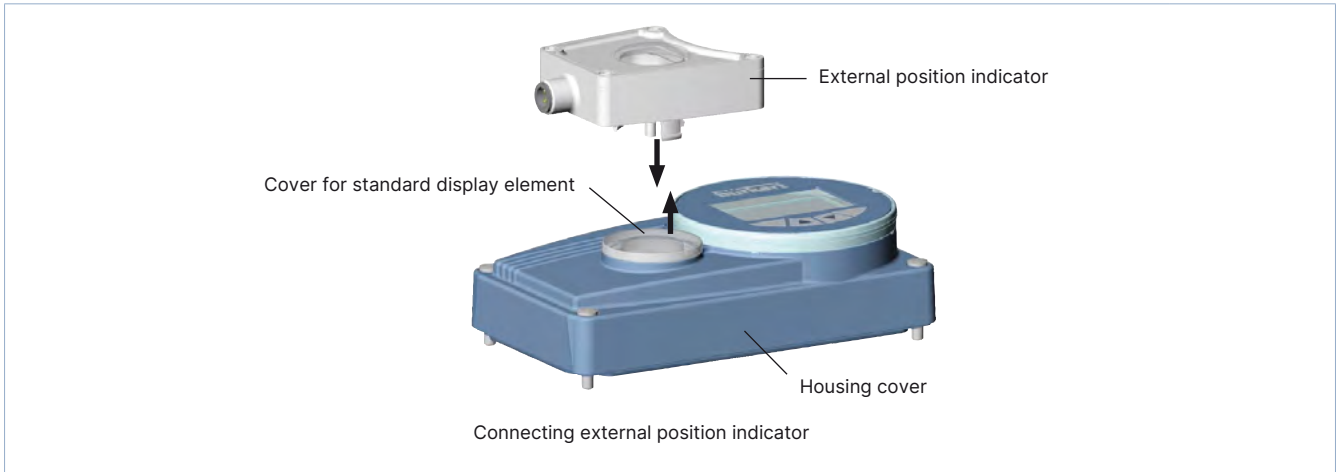
Description	Article no.
Holder for standard rail mounting	675702

DTS 1000121137 EN Version: AJ Status: RL (released | freigegeben | valide) printed: 16.04.2025

Position feedback with proximity switches

Note:

Upgrade feature for SideCONTROL NAMUR

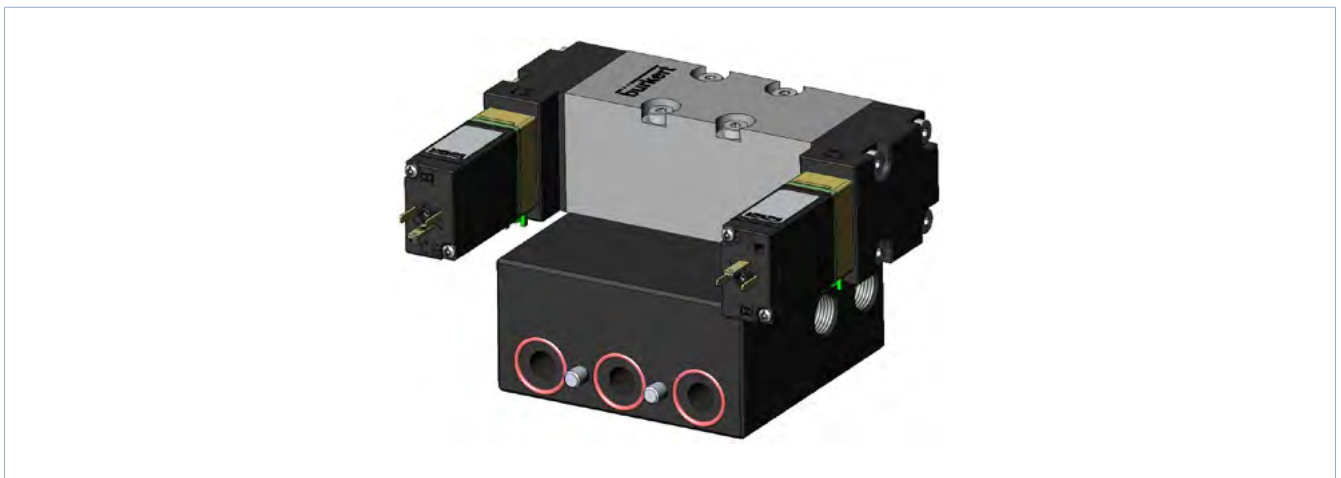


Description	Article no.
Position feedback	677218

Retrofitting to Booster.ready

Note:

For retrofitting to Booster.ready variants of the SideCONTROL NAMUR



Description	Article no.
Booster for Booster.ready variants Type 8792 and Type 8793	20093020

DTS 1000121137 EN Version: AJ Status: RL (released | freigegeben | valide) printed: 16.04.2025

6.2. Mounting options

NAMUR variant for Samson valves

Positioner with integrated position sensor for Samson valves.

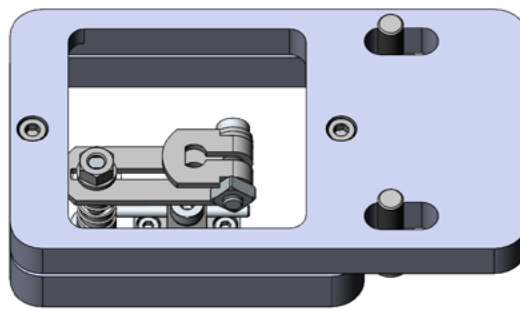
Actuator Type 3277

For Samson actuator Type 3277 and a valve with an effective valve stroke of 7.5...30 mm.

Product choice

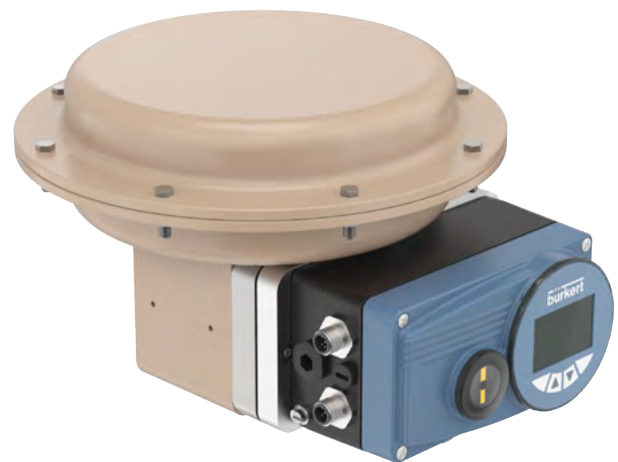
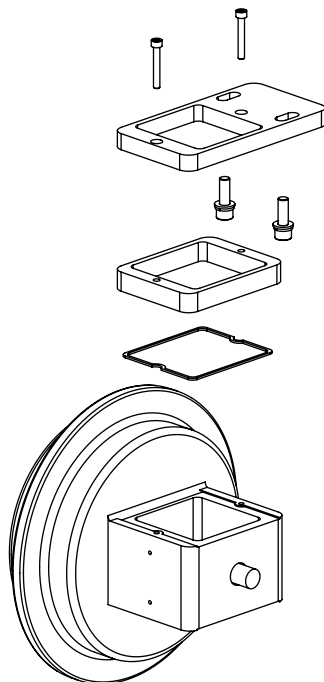
Note:

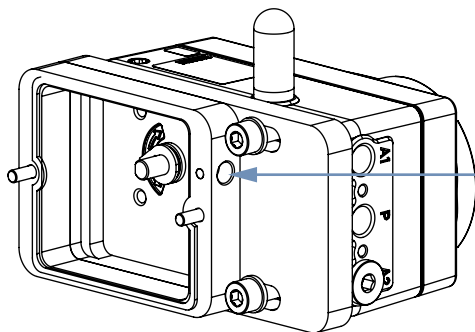
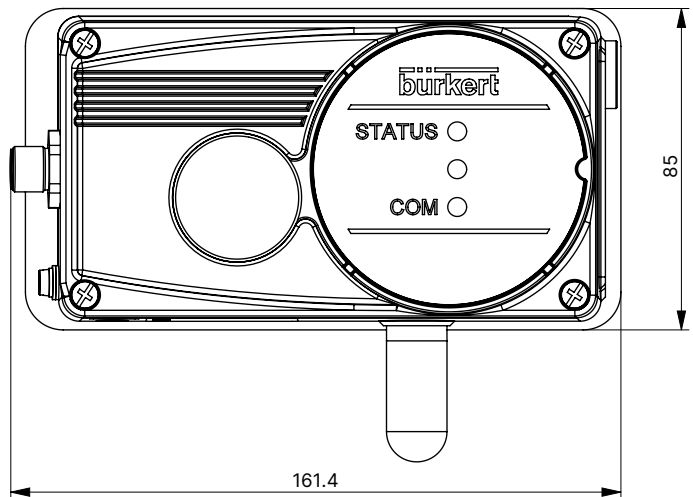
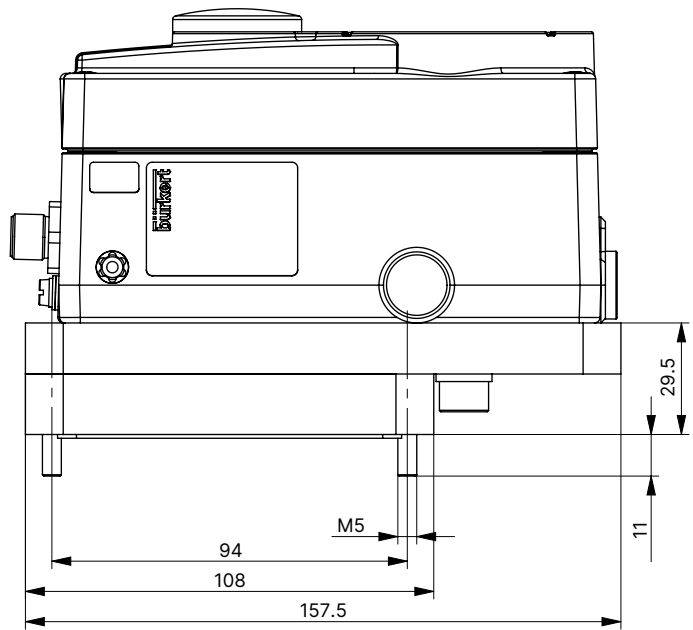
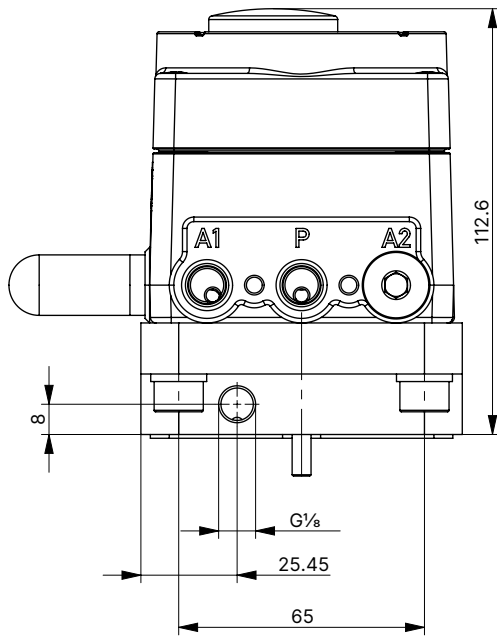
- The technical data of the listed actuators and valves from third-party manufacturers are subject to change. Sampling of the relevant adapter set is therefore required in all cases. The information on the combinability of the adapter sets is therefore subject to change.
- The ordering tables for adapter sets in chapter "7.4. Ordering chart accessories" on page 34 refer to the valve actuators from third-party manufacturers and not to the valves themselves.
- The actuator is therefore the decisive factor when selecting a suitable adaptation.



Article no. Adapter set for Bürkert positioner

Description	
Adapter set for Bürkert SideCONTROL with stainless steel adapter plates for valve stroke 15...30 mm	20068379
Adapter set for Bürkert SideCONTROL with plastic adapter plates (POM black) for valve stroke 15...30 mm	20091532
Adapter set for Bürkert SideCONTROL with stainless steel adapter plates for valve stroke 7.5 mm	20111009









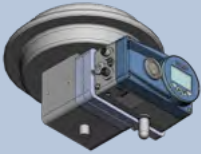

Inside thread G1/8" for pilot air connection
only with adaptation for valve stroke 7.5 mm

DTS 1000121137 EN Version: AJ Status: RL (released | freigegeben | valide) printed: 16.04.2025

6.3. Combination possibilities with pneumatic process valves

Note:

Further information can be found in chapter "7.3. Ordering chart" on page 32.

Positioner SideCONTROL		Type 8792					
		NAMUR		Remote			
							
		<p>Linear actuators IEC 60534 - 6 - 1</p> <p>Rotary actuators VDI/VDE 3845 (IEC 60534 - 6 - 2)</p>		<p>Linear actuators IEC 60534 - 6 - 1</p> <p>Rotary actuators VDI/VDE 3845 (IEC 60534 - 6 - 2)</p>		<p>Control valve system</p>	
		<p>Type 8805 ▶ Ball valve/Butterfly valve with pneumatic rotary actuator</p>		<p>Type 8798 ▶ Remote sensor for pneumatically actuated process valves</p>		<p>Type 2300 ▶ Pneumatically actuated 2-way angle seat control valve ELEMENT + Type 8798 ▶ Remote sensor for pneumatically actuated process valves</p>	
				<p>Special adaptations</p> 			
		<p>For Samson Type 3277 ▶</p>		<p>For other special actuators on request</p>			

DTS 1000121137 EN Version: AJ Status: RL (released | freigegeben | valide) printed: 16.04.2025

7. Ordering information

7.1. Bürkert eShop



Bürkert eShop – Easy ordering and quick delivery

You want to find your desired Bürkert product or spare part quickly and order directly? Our online shop is available for you 24/7. Sign up and enjoy all the benefits.

[Order online now](#)

7.2. Bürkert product filter



Bürkert product filter – Get quickly to the right product

You want to select products comfortably based on your technical requirements? Use the Bürkert product filter and find suitable articles for your application quickly and easily.

[Try out our product filter](#)

7.3. Ordering chart

Positioner SideCONTROL Type 8792 NAMUR variant

Note:

- Mounting according to NAMUR IEC 60534 - 6 - 1 resp. VDI/VDE 3845 (IEC 60534 - 6 - 2)
- Further variants are available on request.

Communication	Electrical connection	Analogue feedback	2 Digital output	Booster. ready	Diagnostics ^{1.)}	cCSAus	ATEX II 3 GD/IECEX CCC ^{2.)}	Article no.
Single and double-acting with universal air capacity								
Without fieldbus communication	Cable gland	-	-	-	-	Yes	-	317985
		-	Yes	-	Yes	Yes	-	317987
		Yes	Yes	-	Yes	Yes	-	317986
		Yes	Yes	-	Yes	-	Yes	318036
	Multipole	-	-	-	-	Yes	-	317988
		-	Yes	Yes	Yes	Yes	-	317990
	Yes	Yes	Yes	Yes	Yes	-	317989	
PROFIBUS DP-V1	Multipole	Via bus	-	-	-	Yes	-	206616
		Via bus	-	-	-	-	Yes	310308
		Via bus	Yes	-	Yes	-	Yes	310309
		Via bus	Yes	-	Yes	Yes	-	206617
EtherNet/IP	Multipole	Via bus	-	-	Yes	Yes	-	317932
		Via bus	Yes	Yes ^{3.)}	Yes	Yes	-	317933
		Via bus	-	-	Yes	-	Yes	317938
		Via bus	Yes	-	Yes	-	Yes	317939
PROFINET	Multipole	Via bus	-	-	Yes	Yes	-	317942
		Via bus	Yes	Yes ^{3.)}	Yes	Yes	-	317943
		Via bus	-	-	Yes	-	Yes	317948
		Via bus	Yes	-	Yes	-	Yes	317949
Modbus TCP	Multipole	Via bus	-	-	Yes	Yes	-	317952
		Via bus	Yes	Yes ^{3.)}	Yes	Yes	-	317953
		Via bus	-	-	Yes	-	Yes	317958
		Via bus	Yes	-	Yes	-	Yes	317959
Bürkert system bus (bÜS)	Multipole	Via bus	-	-	Yes	Yes	-	317962
		Via bus	Yes	Yes ^{3.)}	Yes	Yes	-	317963
		Via bus	-	-	Yes	-	Yes	317968
		Via bus	Yes	-	Yes	-	Yes	317969

1.) See "Additional software options of positioner SideCONTROL Type 8792 (extract)" on page 23

2.) CCC (China Compulsory Certificate) for device variants with Ex approval

3.) The booster adapter cable for fieldbus devices is required for the connection.

DTS 1000121137 EN Version: AJ Status: RL (released | freigegeben | valide) printed: 16.04.2025

Positioner SideCONTROL Type 8792 remote variant

Note:

Further variants are available on request.

Communication	Electrical connection	Analogue feedback	2 Digital output	Diagnostics ^{1.)}	cCSAus	ATEX II 3 GD/IECEx CCC ^{2.)}	Article no.
Single-acting with low air capacity for actuator series Type 23xx (Ø70/90 mm)							
Without fieldbus communication	Cable gland	Yes	Yes	Yes	Yes	–	318010
		–	Yes	Yes	Yes	–	318011
EtherNet/IP	Multipole	Via bus	Yes	Yes	Yes	–	317936
PROFINET		Via bus	Yes	Yes	Yes	–	317946
Modbus TCP		Via bus	Yes	Yes	Yes	–	317956
Bürkert system bus (bÜS)		Via bus	Yes	Yes	Yes	–	317966
Single and double-acting with universal air capacity for actuator series Type 23xx (Ø130/225 mm) and 27xx (Ø175/225 mm)							
Without fieldbus communication	Cable gland	–	–	–	Yes	–	317991
		Yes	Yes	Yes	Yes	–	317992
		–	Yes	Yes	Yes	–	317993
		Yes	Yes	Yes	Yes	–	Yes
EtherNet/IP	Multipole	Via bus	Yes	Yes	Yes	–	317935
PROFINET		Via bus	Yes	Yes	Yes	–	317945
Modbus TCP		Via bus	Yes	Yes	Yes	–	317955
Bürkert system bus (bÜS)		Via bus	Yes	Yes	Yes	–	317965

1.) See "Additional software options of positioner SideCONTROL Type 8792 (extract)" on page 23

2.) CCC (China Compulsory Certificate) for device variants with Ex approval

Remote position sensor for remote variant of SideCONTROL Type 8792

Product	Mounting variant	Electrical connection	cULus	ATEX II 3 GD/IECEx CCC ^{1.)}	Article no.
Mounting on control valves					
	Control valve Type 23xx	Cable gland - 10 m round cable	Yes	–	300730
		Cable gland - 10 m round cable	–	Yes	20003944
		Multipole - 10 m round cable	Yes	–	307956
	Control valve Type 27xx	Cable gland - 10 m round cable	Yes	–	211535
		Cable gland - 10 m round cable	–	Yes	226859
		Multipole - 10 m round cable	Yes	–	329888
NAMUR mounting					
	NAMUR (rotative)	Cable gland 2 m round cable (extendable to 10 m maximum)	Yes	–	211536

1.) CCC (China Compulsory Certificate) for device variants with Ex approval








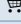
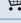
DTS 1000121137 EN Version: AJ Status: RL (released | freigegeben | valide) printed: 16.04.2025

7.4. Ordering chart accessories

Standard accessories

Note:





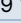
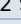
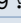
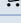
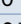
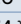
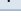
The associated communication software can be downloaded under **Type 8792** ▶.

Description	Article no.
M12 circular socket with cable, 8-pin, cable length: 5 m, for input and output signals	919267 
M8 plug, 4-pin with solder connections can be assembled for remote position sensor or digital outputs	917131 
USB bÜS interface set 2 (Type 8923) for connection to the Bürkert Communicator software: including bÜS stick, connection cable to M12 plug, M12 connection cable on micro USB for the bÜS service interface and Y distributor, cable length: 0.7 m	772551 
bÜS cable extension, M12, cable length: 1 m	772404 
bÜS cable extension, M12, cable length: 3 m	772405 
bÜS cable extension, M12, cable length: 5 m	772406 
bÜS cable extension, M12, cable length: 10 m	772407 
Silencer G ¼	780780 
USB interface for serial communication (for device variants with PROFIBUS)	227093 
Bürkert Communicator software	Type 8920 ▶

Accessories SideCONTROL NAMUR

Note:

Further information can be found in chapter **"6. Product installation"** on page 25.




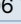
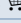
Bezeichnung	Article no.
Attachment kit for linear actuators according to IEC 60534 - 6 - 1	787215 
Coupling set for part-turn actuators according to VDI/VDE 3845 (IEC 60534 - 6 - 2) stainless steel	787338 
Universal mounting bridge VDI/VDE 3845 (IEC60534 - 6 - 2) made of stainless steel	770294 
Universal mounting bridge VDI/VDE 3845 (IEC60534 - 6 - 2) made of stainless steel, black powder-coated	775710 
For Samson Type 3277 – Adapter set with stainless steel adapter plates	20068379 
For Samson Type 3277 – Adapter set with plastic adapter plates (POM black)	20091532 
For Samson Type 3277 – Adapter set with stainless steel adapter plates for valve stroke 7.5 mm	20111009 
Position feedback with proximity switches (optional upgrade feature) ¹⁾	677218 
Booster for retrofitting to Booster.ready variants	20093020 
Booster adapter cable for fieldbus devices (M12 8-pin to valve connector) ²⁾	60036526 
Booster cable replacement connection cable (M8 4-pin to valve connector) ³⁾	60005074 

1.) External end position feedback for upgrading SideCONTROL NAMUR.

2.) Is required once for attaching the booster to Booster.ready fieldbus devices (EtherNet/IP, Profinet, Modbus, bÜS). Not included in Article no. 20093020.

3.) Only as a spare part. Connection cable is already included in Article no. 20093020.

Accessories SideCONTROL Remote

Description	Article no.
Mounting bracket for stainless steel wall mount (spare part), see "6. Product installation" on page 25	675715 
Standard rail assembly kit aluminium/stainless steel, see "6. Product installation" on page 25	675702 
Attachment kit for Type 21xx/23xx actuator series, actuator size Ø 70/90/130 mm	679917 
Attachment kit for Type 21xx/23xx actuator series, actuator size Ø 225 mm	60025906 
Adapter kit remote sensor, control valves Type 27xx, actuator size Ø 175/225 mm	679945 
Sensor puck (replacement part)	682240 