



Liquid Flow Controller (LFC)

- High dynamic control through fast flow measurement
- Applicable for liquid dosing up to 600 ml/min (36 l/h)
- No moving parts in medium
- Fieldbus optional
- Compact version



Product variants described in the data sheet may differ from the product presentation and description.

Can be combined with

	Type 8611 eCONTROL - Universal controller	▶
	Type 6011 Plunger valve 2/2 way direct-acting	▶
	Type 6606 2/2 or 3/2 way Rocker-Solenoid Valve with separating diaphragm	▶
	Type 8619 multiCELL - Multi-channel and multi-function transmitter/controller	▶

Type description

Type 8718 is an instrument for liquid flow control in process technology. The measured value provided by the sensor will be compared in the digital control electronics with the predefined set point according to the signal; if a control difference is present, the control value output to the proportional valve will be modified using a PI-control algorithm. In this way, the flow can be maintained at a fixed value or a predefined profile can be followed, regardless of pressure variations or other changes in the system. As a control element, a proportional valve working at low friction guarantees a high sensitivity and the good control characteristics of the unit.

Table of contents

1. General technical data	3
<hr/>	
2. Materials	4
2.1. Chemical Resistance Chart – Bürkert resistApp.....	4
<hr/>	
3. Dimensions	4
3.1. Standard version.....	4
3.2. Sub-base version.....	5
<hr/>	
4. Device/Process connections	6
4.1. Analogue version/Fieldbus version.....	6
<hr/>	
5. Product operation	7
5.1. Measuring principle	7
<hr/>	
6. Ordering information	7
6.1. Bürkert eShop – Easy ordering and quick delivery.....	7
6.2. Recommendation regarding product selection	7
6.3. Bürkert product filter.....	8
6.4. Ordering chart accessories.....	8
6.5. Adapter sketch.....	9

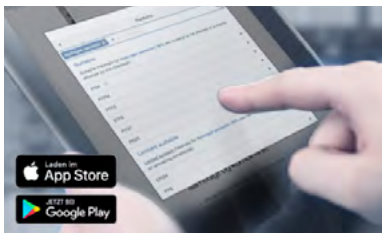
DTS 1000116955 EN Version: F Status: RL (released | freigegeben | validé) printed: 26.03.2021

1. General technical data

Product properties	
Material	
Body	Stainless steel
Housing	PC (Polycarbonate)
Seal	FKM, EPDM or FFKM
Dimensions	Standard version: 107 × 115.5 × 28 (BxHxT) Sub-base version: 107 × 115.5 × 43 (BxHxT) Detailed information can be found in chapter “3. Dimensions” on page 4.
Total weight	Approx. 1000 g
LED display	Indication for: 1. Power 2. Communication (only in fieldbus version), limit (only in analogue version) 3. Error
Performance data	
Full scale range (Q_{Nom})	0.9...36 l/h (15...600 ml/min) regarding water
Measuring range	1:10
Max. operating pressure	Up to max. 10 barg; typical max. 2 barg
Measuring accuracy	± 1.5 % o. R. ± 0.5 % F. S.
Repeatability	± 0.5 % F. S.
Response time ($t_{95\%}$)	< 500 ms
Electrical data	
Operating voltage	24 V DC
Power consumption	Max. 7.5 W (10 W with fieldbus version)
Voltage tolerance	± 10 %
Residual ripple	< 2 %
Electrical connection	Plug Sub-D, 15 pin, Socket M12 (PROFIBUS), 5 pin Plug M12 (DeviceNet, CANopen), 5 pin
Medium data	
Operating medium	Clean and low viscous liquids
Calibration medium	Water (conversion to operating medium with correction function)
Medium temperature	- 10 °C...+ 40 °C
Viscosity (max.)	0.4 to 4 cSt
Process/Port connection & communication	
Port connection	G 1/8, NPT 1/8, G 1/4, NPT 1/4, Sub-base
Digital outputs	One relay-output for: 1. Limit (desired value can not be achieved) Current output: 25 V, 1 A, 25 VA
Digital inputs	Two: 1. Start Autotune 2. Open valve (for purging)
Digital (communication) interface	Digital via Fieldbus: • PROFIBUS DP V1 • DeviceNet • CANopen
Analogue interfaces	4...20 mA, 0...20 mA, 0...10 V or 0...5 V Input impedance > 20 kΩ (Voltage) resp. < 300 Ω (Current) Max. load: 10 mA (Voltage output); max. load: 600 Ω (Current output)
Environment and installation	
Ambient temperature	0 °C...55 °C
Installation position	Horizontal or vertical
Degree of protection	IP40

2. Materials

2.1. Chemical Resistance Chart – Bürkert resistApp



Bürkert resistApp – Chemical Resistance Chart

You want to ensure the reliability and durability of the materials in your individual application case? Verify your combination of media and materials on our website or in our resistApp.

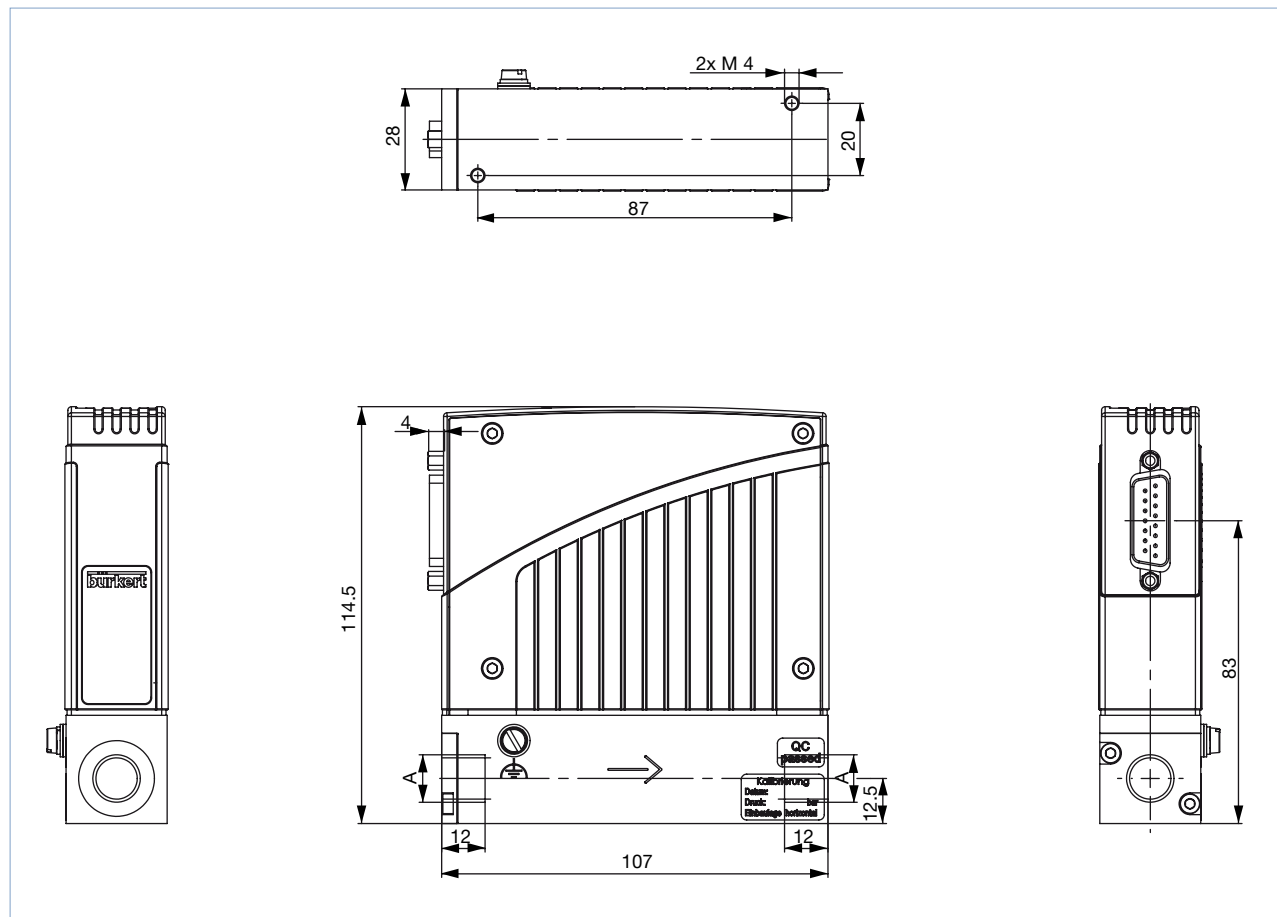
[Start Chemical Resistance Check](#)

3. Dimensions

3.1. Standard version

Note:

- Dimensions in mm
- In devices without fieldbus communication there is no electrical M12 connector in the upper housing part.

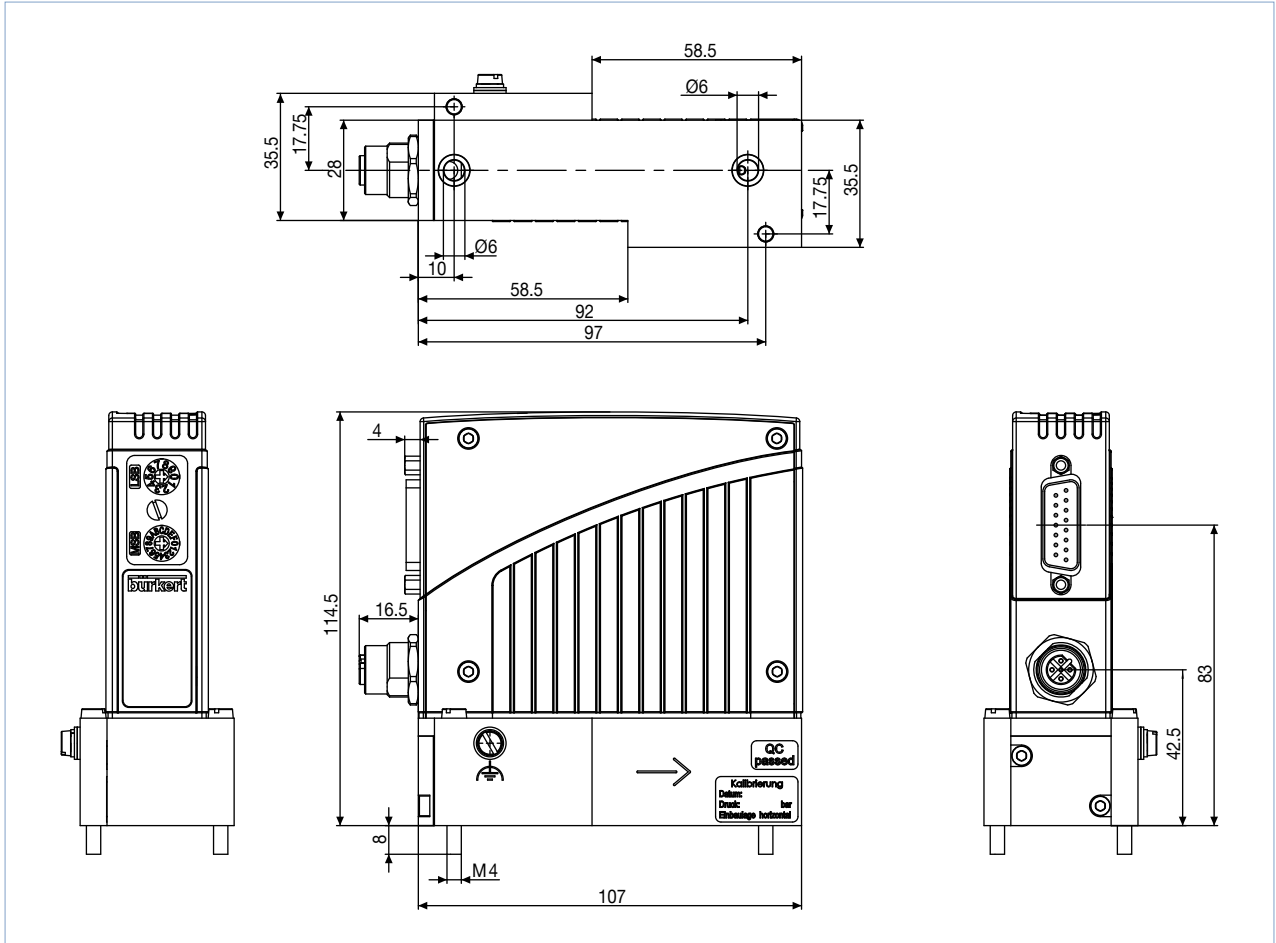


Size A	
G 1/8	G 1/4
NPT 1/8	NPT 1/4

3.2. Sub-base version

Note:

- Dimensions in mm
- In devices without fieldbus communication there is no electrical M12 connector in the upper housing part.



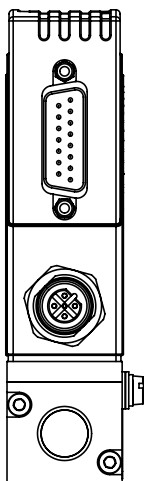
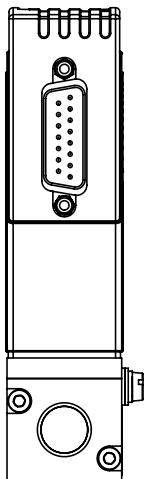
Size A	
G 1/8	G 1/4
NPT 1/8	NPT 1/4

4. Device/Process connections

4.1. Analogue version/Fieldbus version

Note:

- Optional Pin 7 and 8 with bus version as transmitter input possible.
- The cable length for RS232/actual value signal is limited to 30 meters.



Analogue version

Plug D-Sub, 15 pin	Pin	Assignment	
		Analogue control unit	Bus actuation
	1	Relay – normally closed	
	2	Relay – normally open	
	3	Relay – middle contact	
	4	GND for 24 V-supply and binary inputs	
	5	24 V-supply +	
	6	Only for internal company use	
	7	Not connected	Not connected
	8	Not connected	Not connected
	9	Actual value output GND	Not connected
	10	Actual value output +	Not connected
	11	DGND (for RS232) ^{1.)}	
	12	Binary input 1	
	13	Binary input 2	
	14	RS232 RxD (without driver) ^{1.)}	
	15	RS232 TxD (without driver) ^{1.)}	

1.) Driving RS232 interface only by RS232 adapter including an adaption of TTL levels

Fieldbus version

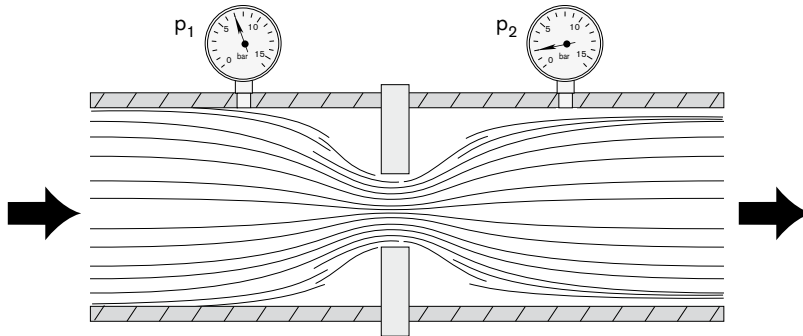
PROFIBUS DP – socket B-coded M12 (DPV1 max. 12 MBaud)	Pin	Assignment
	1	VDD (only for termination resistor)
	2	RxD/TxD – N (A-Line)
	3	DGND
	4	RxD/TxD – P (B-Line)
	5	Not connected

CANopen – Plug M12	Pin	Assignment
	1	Shield
	2	Not connected
	3	DGND
	4	CAN_H
	5	CAN_L

5. Product operation


5.1. Measuring principle

- The sensor measures the flow by means of differential pressure. An orifice in the main channel causes pressure loss at liquid flow which is measured by the differential pressure sensor. The sensor feedbacks a precise and temperature compensated signal out of which the electronics calculates the corresponding flow.
- To avoid a blockage of the aperture by contaminated mediums an upstream filter is recommended.



6. Ordering information

6.1. Bürkert eShop – Easy ordering and quick delivery



Bürkert eShop – Easy ordering and fast delivery

You want to find your desired Bürkert product or spare part quickly and order directly? Our online shop is available for you 24/7. Sign up and enjoy all the benefits.

[Order online now](#)

6.2. Recommendation regarding product selection

Note:

For the proper choice of the actuator orifice and differential pressure sensor within the LFC, not only is the maximum flow rate Q_{Nom} required, but also the pressure values directly before and after the LFC (p_1 , p_2) at this flow rate Q_{Nom} should be known. In general, these pressures are not the same as the overall inlet and outlet pressures of the whole plant, because usually there are additional flow resistors (tubing, additional shut-off valves, nozzles etc.) present both before and after the controller.

Please use the „**Product Enquiry Form**“ at the end of this document to indicate the pressures directly before and after the LFC. If these should be unknown or not accessible to a measurement, estimates are to be made by taking into account the approximate pressure drops over the flow resistors before and after the LFC, respectively, at a flow rate of Q_{Nom} .

In addition, please quote the maximum inlet pressure $p_{1, max}$ to be encountered. This data is needed to make sure the actuator is able to provide a close-tight function within all the specified modes of operation. The knowledge of the maximum inlet pressure is also necessary to select an adequate differential pressure sensor

Please use the „**Product Enquiry Form**“ at the end of this document and send us a copy of the enquiry with information about the application.

6.3. Bürkert product filter



Bürkert product filter – Get quickly to the right product

















You want to select products comfortably based on your technical requirements? Use the Bürkert product filter and find suitable articles for your application quickly and easily.

[Try out our product filter](#)

6.4. Ordering chart accessories

Note:

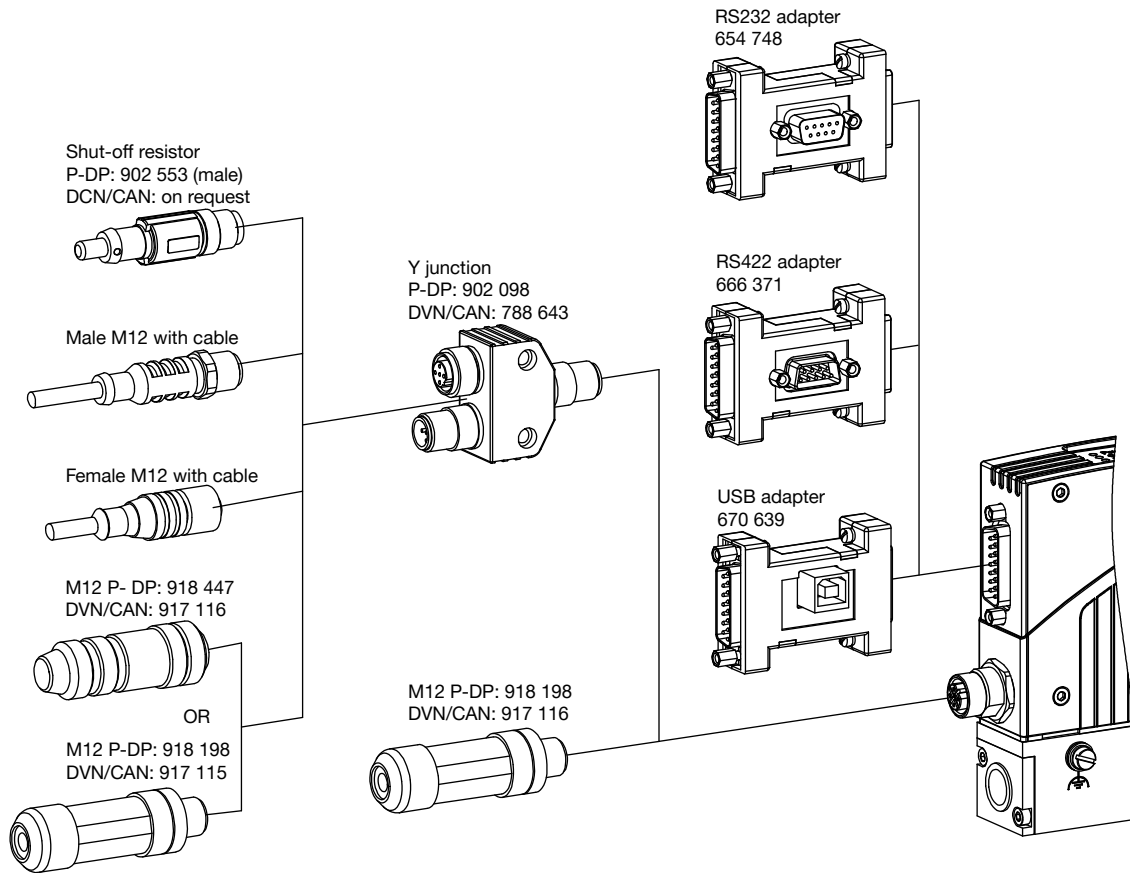
The adapters serve mainly for initial operation or diagnosis. Those are not obligatory for continuous operation.

Description	Article no.
Connections/Cables	
Socket D-Sub 15 pin solder connection	918274 
Hood for D-Sub socket, with screw locking	918408 
Socket D-Sub 15 pin with 5 m cable	787737 
Socket D-Sub 15 pin with 10 m cable	787738 
Adapters^{1.)}	
RS232 adapter	654748 
PC extension cable for RS232 9 pin socket/plug 2 m	917039 
RS422 adapter (RS485 compatible)	666371 
USB adapter (Version 1.1, USB socket type B)	670639 
USB connection cable 2 m	772299 
Communication software Mass Flow Communicator	LINK ▶
Accessories for Fieldbus	
PROFIBUS-DP (B-coded)	
Plug M12 ^{2.)}	918198 
Socket M12 (coupling) ^{2.)}	918447 
Y-junction ^{2.)}	902098 
Termination resistor	902553 
GSD-File (PROFIBUS), EDS-File (CANopen)	LINK ▶
CANopen (A-coded)	
Plug M12 ^{2.)}	917115 
Socket M12 (coupling) ^{2.)}	917116 
Y-junction ^{2.)}	788643 
Termination resistor	On request
GSD-File (PROFIBUS), EDS-File (CANopen)	LINK ▶

1.) The adapters serve mainly for initial operation or diagnosis. Those are not obligatory for continuous operation.

2.) The M12 single connectors as listed here are not suitable for their simultaneous use with the Y-piece for reasons of space. Please always use at least one commercially available overmoulded cable whose connector is usually smaller.

6.5. Adapter sketch



DTS 1000116955 EN Version: F Status: RL (released | freigegeben | validé) printed: 26.03.2021

Bürkert – Close to You

For up-to-date addresses
please visit us at
www.burkert.com

DTS 1000116955 EN Version: F Status: RL (released | freigegeben | validé) printed: 26.03.2021



Product Enquiry Form - Mass Flow Controller For Fluids

Thank you for your interest in our products! In order to provide you with optimum advice, please fill out the following form and send it to your **Bürkert representative** or e-mail address: info@burkert.com. All information submitted will of course be kept strictly confidential.

Please fill in the **required fields!** *

*Note: The interactive functions of this PDF may be restricted depending on the PDF reader used.

Personal Information			
Company		Contact person	
Customer no.		Department	
Street		Postcode / Town	
Telephone no.		Email	

Delivery			
MFC Application	MFM Application	Quantity	Required delivery date

Medium data			
Type of liquid or liquid mixture			
Dynamic viscosity	mPas		
Medium temperature	°C	/	°F
Ambient temperature	°C	/	°F

Fluidic data			
Flow range Q_{Nom}	Min.	Max.	unit
Inlet pressure at Q_{Nom}	$p_1 =$	barg ^{1.)}	
Outlet pressure at Q_{Nom}	$p_2 =$	barg ^{1.)}	
Max. inlet pressure	$p_{1max} =$	barg ^{1.)}	
Port connection	Compression fitting	Subbase	Vacuum fitting
	Thread: G (DIN ISO 228/1)	NPT (ANSI B1.2)	1/8" 1/4"
Installation	horizontal, sensor upwards		vertical, upward flow
	horizontal, sensor downwards		vertical, downward flow

1.) Please indicate all pressure values as overpressure to atmospheric pressure [barg] (g = relative pressure)

Material specifications	
Seals	FFKM Stainless steel

Electrical data		
Control / Communication Note: Please choose one of the following options!	Normsignal	CANopen/büS
	0 ... 5 V	CANopen
	0 ... 10 V	büS
	0 ... 20 mA	
	4 ... 20 mA	

Approvals / Conformities
UL
ATEX II Cat. 3 G/D, IECEx
USP Class VI conformity
FDA conformity
EG 1935/2004 conformity

Additional Requirements / Comment

--