





2/2 or 3/2 way TwinPower Rocker-Solenoid Valve with separating diaphragm

- 22 mm ultra compact design with orifices up to DN 3.0
- Isolating diaphragm for high chemical resistance
- Circuit function NC, NO and 3 way universal
- Back pressure tightness via rocker principle
- Minimal internal volume with excellent cleanability



Product variants described in the data sheet may differ from the product presentation and description.

Can be combined with

	<p>Type 2505 ▶ 10 mm socket for Bürkert small solenoid valves</p>
	<p>Type 2507 ▶ Cable plug, form B according to industry standard</p>

Type description

Direct acting medium separated 2/2 and 3/2 way Rocker Solenoid Valve for control of aggressive fluids and gases in analytical medical applications, the food industry, and also the chemical industry for dosing, filling, mixing and distribution. The medium is in contact with fluid housing and seal material solely through the isolating diaphragm. This valve with the new TwinPower actuator, robust screw-in connection and 22 mm installation width, will fulfil the highest requirements. The established rocker solenoid technology is characterized through full back pressure tightness, good rinsing capability and low internal volume. Type 6628 is available in different technical versions and by virtue of several body options, it offers a perfect adaption in fluid applications.

Table of contents

1. General technical data	3
2. Product versions	4
3. Circuit functions	4
4. Approvals and conformities	5
4.1. General notes	5
4.2. Conformity	5
4.3. Standards	5
4.4. Foods and beverages/Hygiene	5
5. Materials	6
5.1. Bürkert resistApp	6
5.2. Material specifications	6
6. Dimensions	7
6.1. Sub-base version with connector plug form B	7
6.2. Bürkert sub-base interface (22 × 35 mm)	7
6.3. Threaded version with rectangular plug Type 2505	8
6.4. Tube connector version with flying leads	9
6.5. Push-in hose connector with rectangular plug Type 2505	10
7. Ordering information	11
7.1. Bürkert eShop	11
7.2. Bürkert product filter	11
7.3. Bürkert Product Enquiry Form	11
7.4. Ordering chart	12
7.5. Ordering chart accessories	14
Rectangular cable plug Type 2505	14
Cable plug Type 2507, form B according to industry standard	14
Multiple manifolds for Bürkert sub-base interface, 3-way	15





1. General technical data

Product properties	
Dimensions	Further information can be found in chapter "6. Dimensions" on page 7.
Material	
Seal	FFKM, FKM or EPDM
Fluidic housing	PEEK, PPS or PVDF (PP on request)
Manual override	On request
Internal volume	Bürkert sub-base: from 280 µl Hose connector: from 500 µl Threaded body: from 500 µl
Minimum bending radius for flying leads version	Single bending: 5 mm Multiple bending: 8 mm
Orifice	DN 2.0 (Vac...5 bar) DN 3.0 (Vac...3 bar)
Circuit function	A, B and T Further information can be found in chapter "3. Circuit functions" on page 4.
Performance data	
Switching time ^{2.)}	Opening: approx. 25 ms (pressure build-up 0...10 %) Closing: approx. 25 ms (pressure reduction 100...90 %)
Electrical data	
Power supply	12/24 V DC (other voltages on request)
Duty cycle	100 % continuous operation
Nominal power	5 W (other powers on request & versions with internal power reduction possible)
Voltage tolerance ^{1.)}	± 10 %
Medium data	
Operating medium	Resistant to neutral and aggressive liquids and gases (see chapter "5.1. Bürkert resistApp" on page 6)
Medium temperature	FKM: 0 °C...+ 55 °C FFKM: + 10 °C...+ 55 °C EPDM: - 10 °C...+ 55 °C
Viscosity	Max. 21 mm ² /s
Process/Port connection & communication	
Electrical connection	PFA single flying leads 0.5 mm ² (AWG20), length 500 mm Tag connectors according to DIN 43650 form B for cable plug Type 2507 ▶ Rectangular cable plug Type 2505 ▶
Port connection	Bürkert sub-base (22 × 35 mm) G 1/8" NPT 1/8" Hose connector 4 mm (5/32") Push-in connector (tube's external diameter 6 mm)
Approvals and conformities	
Degree of protection	IP54 with cable or cable plug Type 2507 ▶ IP30 with rectangular cable plug Type 2505 ▶
Foods and beverages/Hygiene	FDA (on request only with seal material EPDM) Further information can be found in chapter "4.4. Foods and beverages/Hygiene" on page 5.
Environment and installation	
Installation	As required, preferably with actuator upright
Ambient temperature	FKM: 0 °C...+ 55 °C FFKM: + 10 °C...+ 55 °C EPDM: - 10 °C...+ 55 °C

1.) Maximum permitted residual ripple

2.) Measurement at + 20 °C, 2 bar at the valve outlet according to DIN ISO 12238:2001

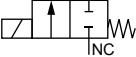
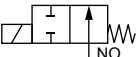

2. Product versions

Rectangular plug with manual override and Bürkert sub-base	Flying leads with threaded body
	
Rectangular plug with 2-way hose connector	Flying leads with push-in connector
	

3. Circuit functions

Note:

Other circuit functions on request.

Symbol	Description
	Circuit function A (CF A) 2/2-way solenoid valve Direct-acting Normally closed
	Circuit function B (CF B) 2/2-way solenoid valve Direct-acting Normally open
	Circuit function T (CF T) 3/2-way solenoid valve Direct-acting Flow direction optional Universal

DTS 1000170656 EN Version: K Status: RL (released | freigegeben | validé) printed: 18.12.2024

4. Approvals and conformities

4.1. General notes

- The approvals and conformities listed below must be stated when making enquiries. This is the only way to ensure that the product complies with all required specifications.
- Not all available versions can be supplied with the below mentioned approvals or conformities.

4.2. Conformity

In accordance with the Declaration of Conformity, the product is compliant with the EU Directives.

4.3. Standards

The applied standards which are used to demonstrate compliance with the EU Directives are listed in the EU-Type Examination Certificate and/or the EU Declaration of Conformity.

4.4. Foods and beverages/Hygiene

Conformity	Description
FDA	FDA – Code of Federal Regulations (valid for the variable code PL03) All wetted materials are compliant with the Code of Federal Regulations published by the FDA (Food and Drug Administration, USA) according to the manufacturer's declaration.

DTS 1000170656 EN Version: K Status: RL (released | freigegeben | validé) printed: 18.12.2024

5. Materials

5.1. Bürkert resistApp

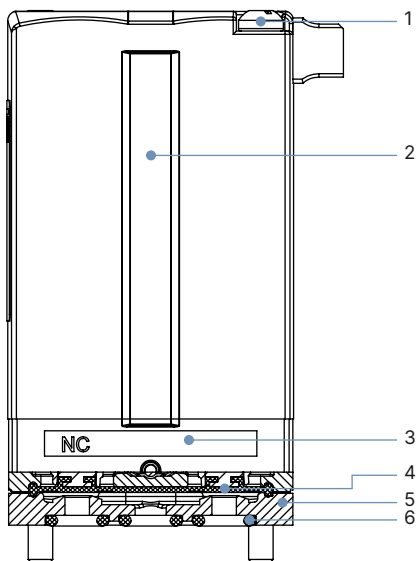


Bürkert resistApp – Chemical resistance chart

You want to ensure the reliability and durability of the materials in your individual application case? Verify your combination of media and materials on our website or in our resistApp.

[Start chemical resistance check](#)

5.2. Material specifications



No.	Element	Material
1	Fixing screw M3 (from end to end)	Stainless steel
2	Coil	Epoxy
3	Valve body	PPS
4	Diaphragm ^{1.)}	FFKM, FKM or EPDM
5	Fluidic housing ^{1.)}	PEEK, PPS or PVDF
6	Sub-base seal ^{1.)}	FFKM, FKM or EPDM

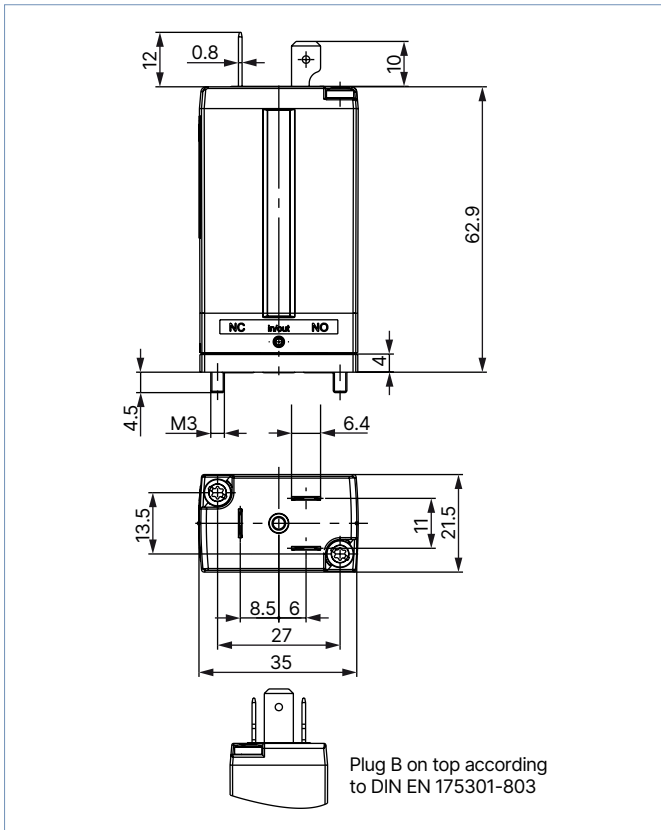
1.) in contact with medium

6. Dimensions

6.1. Sub-base version with connector plug form B

Note:

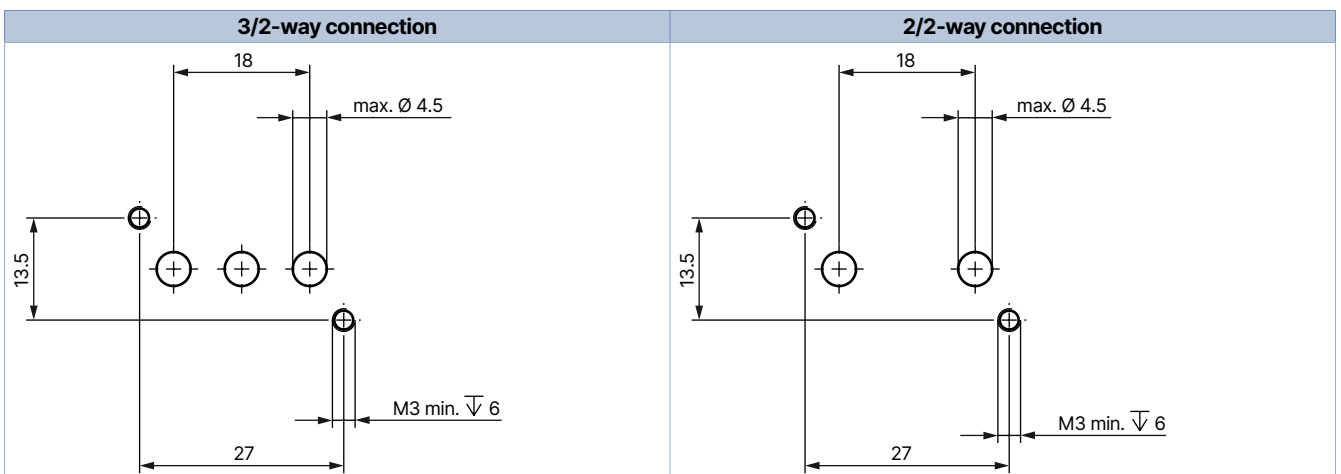
Dimensions in mm



6.2. Bürkert sub-base interface (22 × 35 mm)

Note:

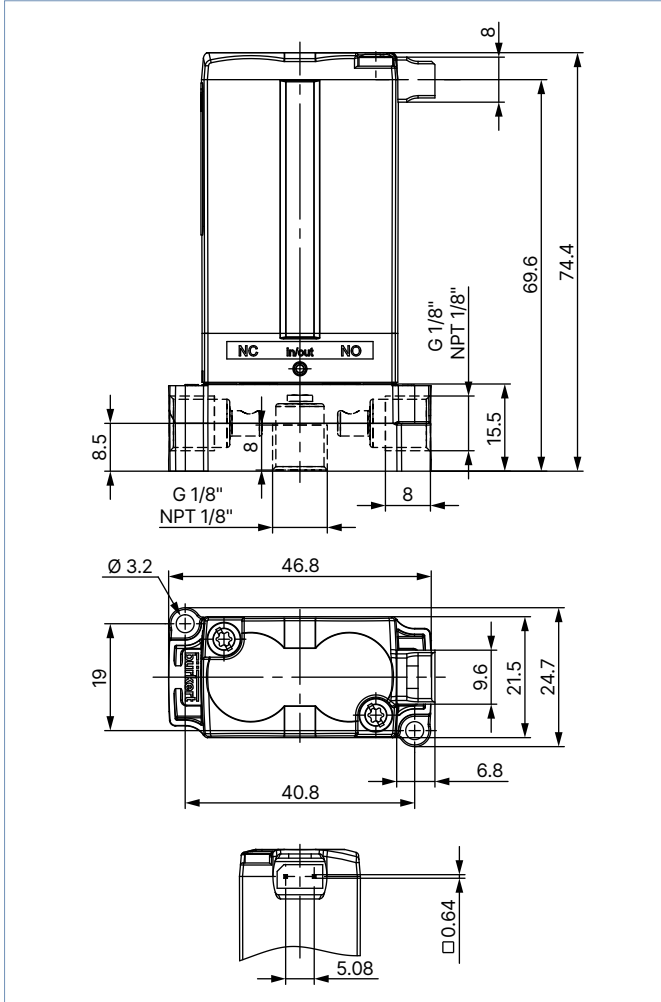
Dimensions in mm



6.3. Threaded version with rectangular plug Type 2505

Note:

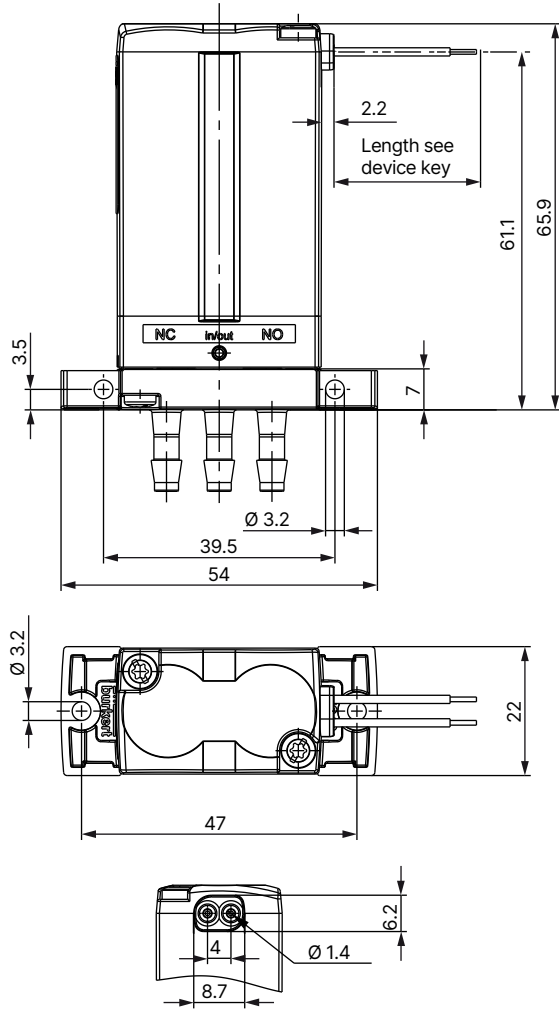
Dimensions in mm



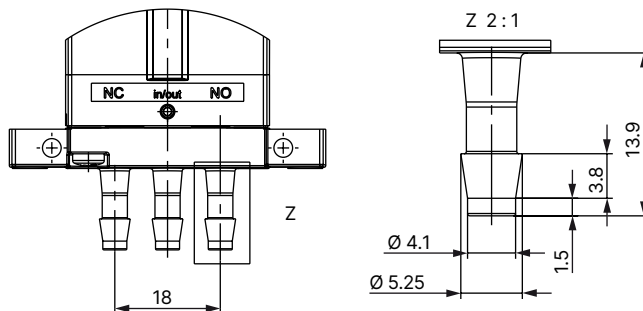
6.4. Tube connector version with flying leads

Note:

Dimensions in mm



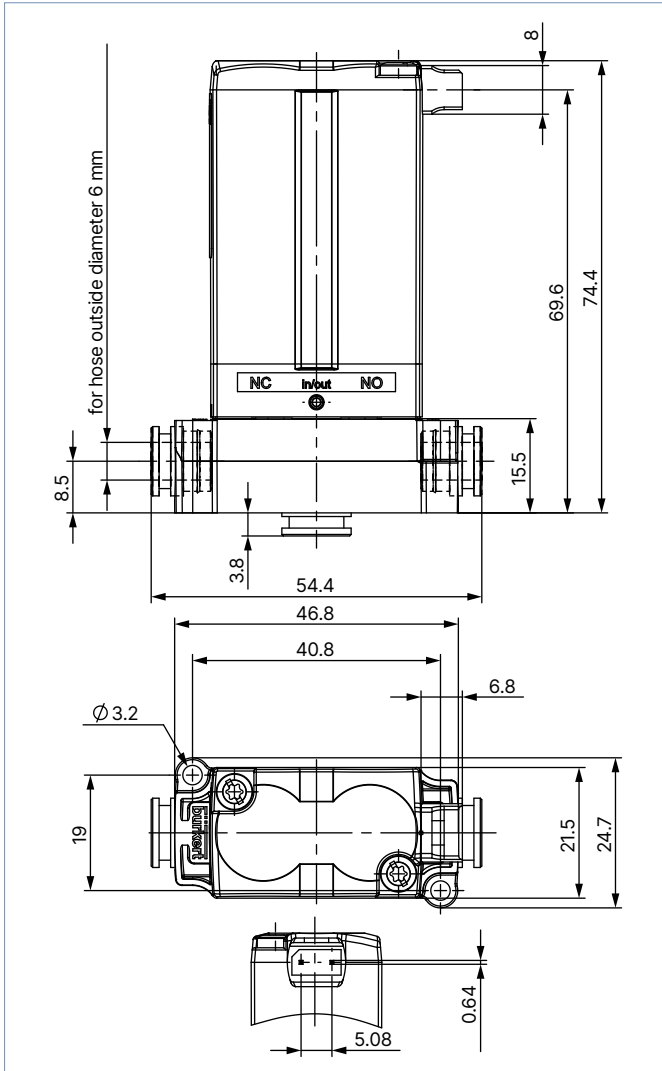
Dimensions hose connection



6.5. Push-in hose connector with rectangular plug Type 2505

Note:

Dimensions in mm



7. Ordering information

7.1. Bürkert eShop



Bürkert eShop – Easy ordering and quick delivery

You want to find your desired Bürkert product or spare part quickly and order directly? Our online shop is available for you 24/7. Sign up and enjoy all the benefits.

[Order online now](#)

7.2. Bürkert product filter

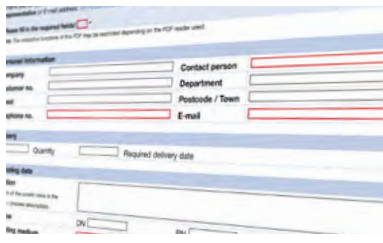


Bürkert product filter – Get quickly to the right product

You want to select products comfortably based on your technical requirements? Use the Bürkert product filter and find suitable articles for your application quickly and easily.

[Try out our product filter](#)

7.3. Bürkert Product Enquiry Form



Bürkert Product Enquiry Form – Your enquiry quickly and compactly

Would you like to make a specific product enquiry based on your technical requirements? Use our Product Enquiry Form for this purpose. There you will find all the relevant information for your Bürkert contact. This will enable us to provide you with the best possible advice.

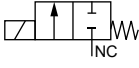
[Fill out the form now](#)

DTS 1000170656 EN Version: K Status: RL (released | freigegeben | validé) printed: 18.12.2024

7.4. Ordering chart

Note:

- Other versions are available on request.
- 2 x fixing screws M3 × 65 for sub-base versions are included in the delivery.
- Connectors for rectangular plug and tag connector form B are not included in the delivery and must be ordered separately, see “7.5. Ordering chart accessories” on page 14

Circuit function	Port connection	Orifice	Q _N _{in} value	K _v value	Voltage/ Frequency	Pressure range	Max. pressure difference	Body material	Seal material	Electrical connection	Article no.	
		[mm]	[l/min]	[m ³ /h]								[V/Hz]
CF A 2/2-way solenoid valve Direct-acting Normally closed 	Bürkert sub-base	2	110	0.10	24/DC	Vac...5	5	PPS	EPDM	Flying leads, 0.5 m	251614	
										Rectangular plug	250857	
								PEEK	FFKM	Flying leads, 0.5 m	234350	
										Rectangular plug	235315	
	PPS	FKM	Flying leads, 0.5 m	251620								
			Rectangular plug	251618								
	Bürkert sub-base	3	180	0.17	0.17	12/DC	Vac...3	3	PPS	EPDM	Flying leads, 0.5 m	241727
						24/DC					242030	
						Rectangular plug					246199	
						Plug form B					251643	
						PEEK			FFKM	Flying leads, 0.5 m	235316	
											230304	
										Rectangular plug	235317	
											20104014	
						PVDF			PPS	FKM	Flying leads, 0.5 m	246382
												251624
											Rectangular plug	248017
											Plug form B	238616
	PEEK	EPDM	Flying leads, 0.5 m	300356								
			Plug form B	251644								
FFKM		Flying leads, 0.5 m	235319									
		Plug form B	242340									
PPS	FKM	Flying leads, 0.5 m	238615									
			251650									
			251613									
			235318									
G 1/8"	3	180	0.17	0.17	24/DC	Vac...3	3	PEEK	FFKM	Flying leads, 0.5 m	251628	
											251628	
											251628	
											251628	
Push-in connector	3	180	180	0.17	24/DC	Vac...3	3	PEEK	FFKM	Flying leads, 0.5 m	251686	
											251686	
											251686	
											251686	
Hose connector	3	180	180	0.17	24/DC	Vac...3	3	PEEK	FFKM	Flying leads, 0.5 m	251686	
											251686	
											251686	
											251686	

DTS 1000170656 EN Version: K Status: RL (released | freigegeben | valide) printed: 18.12.2024

Circuit function	Port connection	Orifice	Q _{in} value air ^{2.)}	K _v value water ^{1.)}	Voltage/ Frequency	Pressure range	Max. pressure difference	Body material	Seal material	Electrical connection	Article no.
		[mm]	[l/min]	[m ³ /h]	[V/Hz]	[bar]	[bar]				
CF T 3/2-way solenoid valve Direct-acting Flow direction optional Universal 	Bürkert sub-base	2	110	0.10	24/DC	Vac...5	5	PPS	EPDM	Flying leads, 0.5 m	241889
										Rectangular plug	250859
								PEEK	FFKM	Flying leads, 0.5 m	234340
										Rectangular plug	235320
	PPS	FKM	Flying leads, 0.5 m	251630							
			Rectangular plug	251629							
	Bürkert sub-base	3	180	0.17	12/DC 24/DC	Vac...2	2	PPS	EPDM	Flying leads, 0.5 m	241726
										Rectangular plug	245256
										Plug form B	251616
										Plug form B	251645
								PEEK	FFKM	Flying leads, 0.5 m	235321
										Rectangular plug	230305
								PVDF	FFKM	Rectangular plug	235322
										Rectangular plug	20104015
								PPS	FKM	Flying leads, 0.5 m	251633
										Rectangular plug	251635
										Plug form B	251634
										Plug form B	251684
	PEEK	EPDM	Flying leads, 0.5 m	245205							
			Plug form B	251647							
FFKM FKM			Flying leads, 0.5 m	235325							
			Plug form B	251638							
PPS	FKM	Plug form B	251649								
		Flying leads, 0.5 m	251685								
PEEK	EPDM	Flying leads, 0.5 m	251617								
		FFKM FKM	Flying leads, 0.5 m	235323							
			Flying leads, 0.5 m	251637							
G 1/8"											
Push-in connector											
Hose connector											

1.) Measurement at + 20 °C, 1 bar at the valve inlet and free outlet
 2.) Measurement at + 20 °C, 6 bar at the valve inlet, 1 bar differential pressure

Further versions on request	
Electrical connection <ul style="list-style-type: none"> Cable plug according to DIN 43650 form B (Industrial standard) Flying leads 	Material Other body and seal materials on request

DTS 1000170656 EN Version: K Status: RL (released | freigegeben | validé) printed: 18.12.2024

7.5. Ordering chart accessories

Rectangular cable plug Type 2505

Note:

For further versions see data sheet [Type 2505](#) ▶

Accessories	Description	Article no.
	Cable plug 10 mm with cable, 2-pin, rectangular plug, straight, cable length: 3 m (Type 2505)	252572
	Cable plug 10 mm with cable, 2-pin, rectangular plug, straight, cable length: 5 m (Type 2505)	255194
	Cable plug 10 mm with cable, 2-pin, rectangular plug, straight, cable length: 0,3 m (Type 2505)	644068
	Cable plug 10 mm with cable, 2-pin, rectangular plug, straight, cable length: 0.6 m (Type 2505)	162144
	Cable plug 10 mm, 2-pin, rectangular plug, straight (Type 2505)	644067

Cable plug Type 2507, form B according to industry standard

Note:

- Dimensions in mm
- Delivery of cable plug includes a flat seal and a fixing screw.
- Refer to data sheet [Type 2507](#) ▶ for more information about the cable plug.

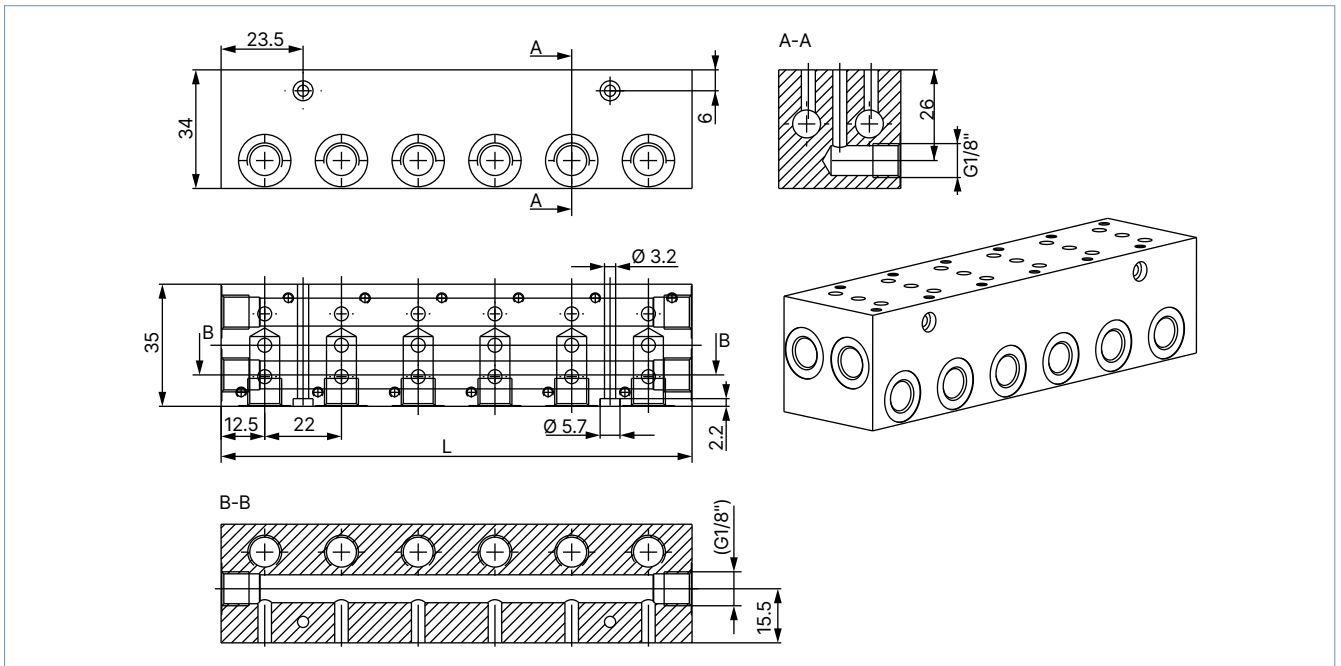
Cable plug	Dimensions	Version	Voltage	Article no.
		Without circuitry (standard)	2...250 V AC/DC	423845
		With LED	24 V AC/DC	423849
		With LED and free-wheeling diode	24 V AC/DC	423851
		With rectifier, LED and varistor	24 V AC/DC	423853

DTS 1000170656 EN Version: K Status: RL (released | freigegeben | validé) printed: 18.12.2024

Multiple manifolds for Bürkert sub-base interface, 3-way

Note:

- Dimensions in mm
- Port connection G 1/8"
- Material aluminium (black anodized)
- Pay attention to screw protrusion.
- Other versions are available on request.



Manifold	L [mm]	Article no.
2-fold	47	669571
3-fold	69	672633
4-fold	91	669572
5-fold	113	672661
6-fold	135	669570
10-fold	223	672660