



Plunger valve, 2/2-way, direct-acting

- Media-separated plunger valves up to DN12
- Suitable for high and low temperature ranges (-200 °C...+180 °C)
- Energy-saving double coil technology with Kick and Drop variant

Product variants described in the data sheet may differ from the product presentation and description.

Can be combined with



Type 2518

Cable plug,
form A according to
DIN EN 175301-803

Type description

The valve 6026 is a direct-acting, media-separated 2/2-way plunger valve. The thermal and hermetic isolation of the coil and body by means of stainless steel bellows allows both extreme medium temperatures as well as aggressive media. This design avoids the build-up of condensation between the fluid part and coil or an unacceptable heating up or freezing of the coil. The coils are moulded with chemically resistant epoxy. The valve is therefore particularly suitable for applications with critical media. The use of highly resistant body and seal materials such as stainless steel and PTFE make the valve suitable for critical chemical applications. To reduce power consumption in operation, coils with "Kick and Drop" (KD) electronics assembly (double coil technology) are available. In combination with a plug to DIN EN 175301 - 803 Form A, the valves satisfy degree of protection IP65.

Table of contents

| | |
|---|----------|
| 1. General technical data | 3 |
| 2. Circuit functions | 3 |
| 3. Approvals and conformities | 4 |
| 3.1. General notes | 4 |
| 3.2. Conformity | 4 |
| 3.3. Standards | 4 |
| 3.4. Explosion protection..... | 4 |
| 3.5. North America (USA/Canada) | 4 |
| 3.6. Others | 5 |
| Oxygen | 5 |
| 4. Dimensions | 5 |
| 5. Performance specifications | 6 |
| 5.1. Power consumption | 6 |
| 6. Ordering information | 6 |
| 6.1. Bürkert eShop | 6 |
| 6.2. Bürkert product filter..... | 6 |
| 6.3. Bürkert Product Enquiry Form | 7 |
| 6.4. Ordering chart | 7 |
| 6.5. Ordering chart accessories..... | 8 |
| Cable plug Type 2518, form A according to DIN EN 175301 - 803 | 8 |
| Mounting set stainless steel body | 8 |

DTS 1000395475 EN Version: J Status: RL (released | freigegeben | valide) printed: 24.01.2025

1. General technical data

| Product properties | |
|--|---|
| Dimensions | Further information can be found in chapter "4. Dimensions" on page 5. |
| Material | |
| Seal | PTFE |
| Body | Brass with stainless steel seat 1.4581 Stainless steel with stainless steel seat 1.4581 |
| Metal bellows | Stainless steel 1.4541 |
| Weight | 1.1 kg |
| Orifice | DN 3.0...DN 12.0 |
| Circuit function | A Further information can be found in chapter "2. Circuit functions" on page 3. |
| Thermal insulation class of solenoid coil | Epoxy coil class H |
| Performance data | |
| Duty cycle | Continuous operation 100 % ED Intermittent operation 50 % ED max. 6 switchings/minute ²⁾ |
| Electrical data | |
| Operating voltage | 24 UC ¹⁾ 110/120 V 50/60 Hz 230/240 V 50/60 Hz |
| Power consumption | 85/8.5 W (orifice 8.0...12.0) 44/6.5 W (orifice 3.0...6.0) |
| Voltage tolerance | ± 10 % |
| Medium data | |
| Operating medium | Neutral gases and fluidics |
| Medium temperature | - 200 °C...+ 180 °C |
| Viscosity | Max. 21 mm ² /s |
| Process/Port connection & communication | |
| Electrical connection | Plug contacts according to DIN EN 175 301 - 803 form A for cable plug Type 2518 ▶. Further information can be found in chapter "Cable plug Type 2518, form A according to DIN EN 175301 - 803" on page 8. |
| Approvals and conformities | |
| Protection class | IP65 with cable plug |
| Explosion protection | Further information can be found in chapter "3.4. Explosion protection" on page 4. |
| North America (USA/Canada) | Further information can be found in chapter "3.5. North America (USA/Canada)" on page 4. |
| Others | Further information can be found in chapter "3.6. Others" on page 5. |
| Environment and installation | |
| Installation position | As required, preferably with actuator upright |
| Ambient temperature | Max. + 55 °C |

1.) DC and AC (50...60 Hz)

2.) Further information can be found in the **operating instructions Type 6026** ▶.

2. Circuit functions

| Symbol | Description |
|---|--|
|  | Circuit function A (CF A) 2/2-way solenoid valve Direct-acting Normally closed |

3. Approvals and conformities

3.1. General notes

- The approvals and conformities listed below must be stated when making enquiries. This is the only way to ensure that the product complies with all required specifications.
- Not all available versions can be supplied with the below mentioned approvals or conformities.



3.2. Conformity

In accordance with the Declaration of Conformity, the product is compliant with the EU Directives.



3.3. Standards

The applied standards which are used to demonstrate compliance with the EU Directives are listed in the EU-Type Examination Certificate and/or the EU Declaration of Conformity.

3.4. Explosion protection

| Approval | Description | | | | |
|---|---|-------------------------|-------------------------|-------------------------|---|
|   | <p>Optional: Explosion protection according to category 2 (zone 1/21)</p> <p>Ex marking of the components according to the following table:</p> | | | | |
| | <table border="1"> <thead> <tr> <th>Coil Type AC19</th> <th>Coils with cable outlet</th> <th>Coils with terminal box</th> </tr> </thead> <tbody> <tr> <td> <p>ATEX:</p> <p>EPS 16 ATEX 1072 X II 2G Ex mb IIC T4 Gb II 2D Ex mb IIIC T130 °C Db</p> <p>IECEX:</p> <p>IECEX EPS 16.0030X Ex mb IIC T4 Gb Ex mb III C T130 °C Db</p> </td> <td> <p>ATEX:</p> <p>EPS 16 ATEX 1072 X II 2G Ex eb mb IIC T4 Gb II 2D Ex mb tb IIIC T130 °C Db</p> <p>IECEX:</p> <p>IECEX EPS 16.0030X Ex eb mb IIC T4 Gb Ex mb tb III C T130 °C Db</p> </td> </tr> </tbody> </table> | Coil Type AC19 | Coils with cable outlet | Coils with terminal box | <p>ATEX:</p> <p>EPS 16 ATEX 1072 X II 2G Ex mb IIC T4 Gb II 2D Ex mb IIIC T130 °C Db</p> <p>IECEX:</p> <p>IECEX EPS 16.0030X Ex mb IIC T4 Gb Ex mb III C T130 °C Db</p> |
| Coil Type AC19 | Coils with cable outlet | Coils with terminal box | | | |
| <p>ATEX:</p> <p>EPS 16 ATEX 1072 X II 2G Ex mb IIC T4 Gb II 2D Ex mb IIIC T130 °C Db</p> <p>IECEX:</p> <p>IECEX EPS 16.0030X Ex mb IIC T4 Gb Ex mb III C T130 °C Db</p> | <p>ATEX:</p> <p>EPS 16 ATEX 1072 X II 2G Ex eb mb IIC T4 Gb II 2D Ex mb tb IIIC T130 °C Db</p> <p>IECEX:</p> <p>IECEX EPS 16.0030X Ex eb mb IIC T4 Gb Ex mb tb III C T130 °C Db</p> | | | | |

3.5. North America (USA/Canada)

| Approval | Description |
|---|---|
|  | <p>Optional: UL Hazardous Locations – Explosion Protection (valid for coils)</p> <p>UL Listed for Hazardous Locations for USA and Canada Class I, Zone 1 Class I, Division 2, Group A, B, C and D Class II + III, Division 2, Group F and G</p> |
|  | <p>Optional: UL Recognized for the USA and Canada (valid for coils)</p> <p>The coils are UL Recognized for the USA and Canada according to:</p> <ul style="list-style-type: none"> • UL 429 (electrically operated valves) • CAN/CSA-C22.2 No. 139 |

DTS 1000395475 EN Version: J Status: RL (released | freigegeben | validé) printed: 24.01.2025

3.6. Others

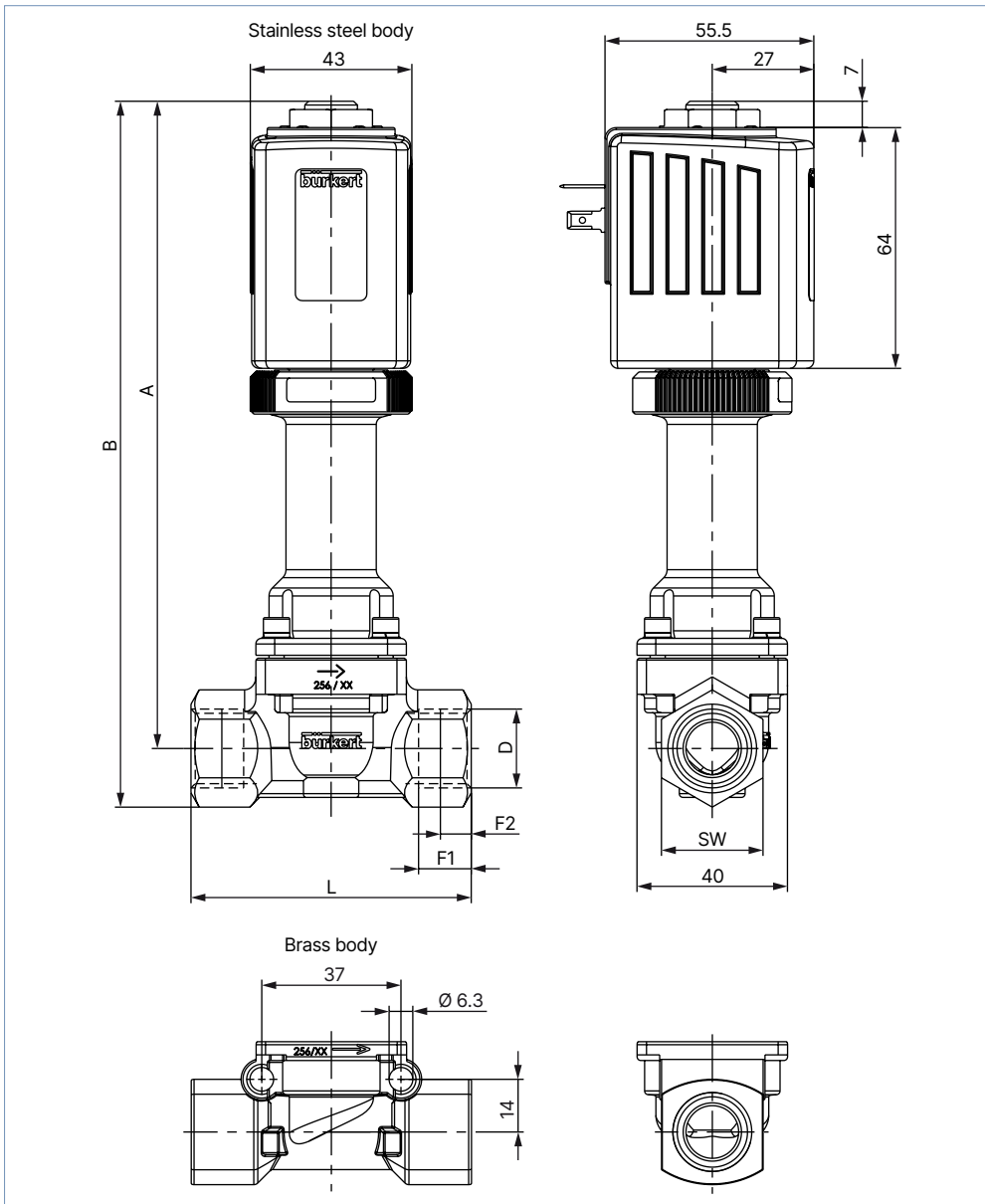
Oxygen

| Conformity | Description |
|----------------------|---|
| O₂ | Optional: Suitability for oxygen (valid for the variable code NL02) The products are suitable for use with gaseous oxygen, according to the manufacturer's declaration. |

4. Dimensions

Note:

Dimensions in mm



| Port connection | Material | A | B | D | F1 | F2 | L | SW |
|-----------------|----------|-----|-----|-------|------|-----|----|----|
| GM82 | Brass | 173 | 184 | G ¼ | 12 | - | 56 | 22 |
| NM82 | Brass | 173 | 184 | NPT ¼ | 10 | 5.8 | 56 | 22 |
| GM83 | Brass | 173 | 184 | G ⅜ | 12 | - | 56 | 22 |
| NM83 | Brass | 173 | 184 | NPT ⅜ | 10.3 | 6 | 56 | 22 |

DTS 1000395475 EN Version: J Status: RL (released | freigegeben | validé) printed: 24.01.2025

| | | | | | | | | |
|------|-----------------|-----|-------|-------|------|-----|------|----|
| GM84 | Brass | 172 | 186 | G ½ | 14 | – | 74.5 | 27 |
| NM84 | Brass | 172 | 186 | NPT ½ | 13.7 | 8.2 | 74.5 | 27 |
| GM82 | Stainless steel | 172 | 184.7 | G ¼ | 12 | – | 74.5 | 27 |
| NM82 | Stainless steel | 172 | 184.7 | NPT ¼ | 10 | 5.8 | 74.5 | 27 |
| GM84 | Stainless steel | 172 | 187.6 | G ½ | 14 | – | 74.5 | 27 |
| NM84 | Stainless steel | 172 | 187.6 | NPT ½ | 13.5 | 8.1 | 74.5 | 27 |

5. Performance specifications

5.1. Power consumption

| Orifice [mm] | K _v value water [m ³ /h] ¹⁾ | Pressure range [bar] ²⁾ | Power consumption | | Switching times ³⁾ | |
|-----------------|---|---------------------------------------|-------------------|----------|-------------------------------|--------------|
| | | | Inrush [W] | Hold [W] | Opening [ms] | Closing [ms] |
| 3.0 | 0.25 | 0...10 | 85 | 8 | 100...200 | 300...500 |
| 4.0 | 0.50 | 0...10 | | | | |
| 5.0 | 0.65 | 0...10 | | | | |
| 6.0 | 0.80 | 0...10 | | | | |
| 8.0 | 0.90 | 0...10 | | | | |
| 10.0 | 1.50 | 0...5 | | | | |
| 12.0 | 1.80 | 0...3 | | | | |

1.) Measurement at +20 °C, 1 bar at the valve outlet and free outlet

2.) Pressure data: overpressure to atmospheric pressure

3.) Measurement at +20 °C, 6 bar at the valve inlet and free outlet, opening: pressure build-up 0...90 %, closing: pressure reduction 100...10 %

6. Ordering information

6.1. Bürkert eShop



Bürkert eShop – Easy ordering and quick delivery

You want to find your desired Bürkert product or spare part quickly and order directly? Our online shop is available for you 24/7. Sign up and enjoy all the benefits.

[Order online now](#)

6.2. Bürkert product filter

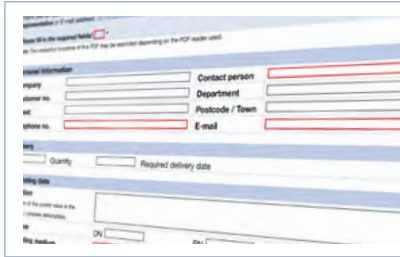


Bürkert product filter – Get quickly to the right product

You want to select products comfortably based on your technical requirements? Use the Bürkert product filter and find suitable articles for your application quickly and easily.

[Try out our product filter](#)

6.3. Bürkert Product Enquiry Form



Bürkert Product Enquiry Form – Your enquiry quickly and compactly

Would you like to make a specific product enquiry based on your technical requirements? Use our Product Enquiry Form for this purpose. There you will find all the relevant information for your Bürkert contact. This will enable us to provide you with the best possible advice.

[Fill out the form now](#)

6.4. Ordering chart

Note:

Further versions are available on request.

| Circuit function | Port connection | Orifice [mm] | K _v value [m ³ /h] | Pressure range [bar] | Body material | Article no. per voltage/frequency | | |
|--|-----------------|-----------------|---|-------------------------|-----------------|-----------------------------------|-----------------------|-----------------------|
| | | | | | | 024/UC | 110...120/ 50...60 | 230...240/ 50...60 |
| | | | | | | [V/Hz] | [V/Hz] | [V/Hz] |
| CFA 2/2-way solenoid valve Direct-acting Normally closed | G ¼ | 3.0 | 0.25 | 0...10 | Brass | 20080803 | 20080804 | 20080807 |
| | G ⅜ | 3.0 | 0.25 | 0...10 | Brass | 20080808 | 20080810 | 20080812 |
| | G ¼ | 3.0 | 0.25 | 0...10 | Stainless steel | 20080813 | 20080815 | 20080816 |
| | G ¼ | 4.0 | 0.5 | 0...10 | Brass | 20080817 | 20080820 | 20080821 |
| | NPT ¼ | 4.0 | 0.5 | 0...10 | Brass | 20080825 | 20080826 | 20080828 |
| | G ⅜ | 4.0 | 0.5 | 0...10 | Brass | 20080822 | 20080823 | 20080824 |
| | NPT ⅜ | 4.0 | 0.5 | 0...10 | Brass | 20080829 | 20080831 | 20080832 |
| | G ¼ | 4.0 | 0.5 | 0...10 | Stainless steel | 20047000 | 20080833 | 20047091 |
| | NPT ¼ | 4.0 | 0.5 | 0...10 | Stainless steel | 20080837 | 20080839 | 20080840 |
| | G ½ | 4.0 | 0.5 | 0...10 | Stainless steel | 20080834 | 20080835 | 20080836 |
| | G ¼ | 5.0 | 0.65 | 0...10 | Brass | 20080841 | 20080842 | 20080843 |
| | G ½ | 5.0 | 0.65 | 0...10 | Brass | 20080847 | 20080848 | 20080849 |
| | G ⅜ | 5.0 | 0.65 | 0...10 | Brass | 20080844 | 20080845 | 20080846 |
| | G ¼ | 6.0 | 0.8 | 0...10 | Brass | 20080850 | 20080852 | 20080854 |
| | NPT ¼ | 6.0 | 0.8 | 0...10 | Brass | 20080868 | o. r. | o. r. |
| | G ½ | 6.0 | 0.8 | 0...10 | Brass | 20080861 | 20080863 | 20080867 |
| | NPT ½ | 6.0 | 0.8 | 0...10 | Brass | 20080870 | 20080871 | 20080872 |
| | G ⅜ | 6.0 | 0.8 | 0...10 | Brass | 20080856 | 20080858 | 20080860 |
| | G ¼ | 6.0 | 0.8 | 0...10 | Stainless steel | 20047001 | 20080876 | 20047098 |
| | NPT ¼ | 6.0 | 0.8 | 0...10 | Stainless steel | 20080883 | 20080884 | 20080885 |
| | G ½ | 6.0 | 0.8 | 0...10 | Stainless steel | 20080879 | 20080881 | 20080882 |
| | NPT ½ | 6.0 | 0.8 | 0...10 | Stainless steel | 20080886 | 20080887 | 20080889 |
| | G ½ | 8.0 | 0.9 | 0...10 | Brass | 352624 | 352625 | 352626 |
| | G ⅜ | 8.0 | 0.9 | 0...10 | Brass | 357466 | 357467 | 357468 |
| | G ½ | 8.0 | 0.9 | 0...10 | Stainless steel | 352605 | 352606 | 352607 |
| | NPT ½ | 8.0 | 0.9 | 0...10 | Stainless steel | 352637 | 352638 | 352639 |
| | G ½ | 10.0 | 1.5 | 0...5 | Brass | 352627 | 352628 | 352629 |
| | NPT ½ | 10.0 | 1.5 | 0...5 | Brass | 352653 | 352654 | 352655 |
| G ½ | 10.0 | 1.5 | 0...5 | Stainless steel | 352609 | 352610 | 352611 | |
| NPT ½ | 10.0 | 1.5 | 0...5 | Stainless steel | 352640 | 352641 | 352642 | |
| G ½ | 12.0 | 1.8 | 0...3 | Brass | 352630 | 352631 | 352632 | |
| NPT ½ | 12.0 | 1.8 | 0...3 | Brass | 352657 | 352658 | 352659 | |
| G ½ | 12.0 | 1.8 | 0...3 | Stainless steel | 352612 | 352613 | 352614 | |
| NPT ½ | 12.0 | 1.8 | 0...3 | Stainless steel | 352643 | 352644 | 352645 | |

o. r. = on request

DTS 1000395475 EN Version: J Status: RL (released | freigegeben | validé) printed: 24.01.2025

Further versions on request



Approval

Further information can be found in chapter "3. Approvals and conformities" on page 4.

6.5. Ordering chart accessories

Cable plug Type 2518, form A according to DIN EN 175301 - 803

Note:

- Dimensions in mm
- For further versions see data sheet **Type 2518** ▶

| Cable plug | Dimensions | Version | Voltage | Article no. |
|------------|------------|---|-----------------|-------------|
| | | Without circuitry (AC/DC) | 0...250 V AC/DC | 314802 |
| | | With LED (AC/DC) | 12...24 V AC/DC | 314812 |
| | | With LED and varistor (AC/DC) | 12...24 V AC/DC | 314820 |
| | | With rectifier, LED and varistor | 12...24 V AC/DC | 314816 |
| | | Without circuitry (AC/DC) with silicone seal for higher ambient temperature | 0...250 V AC/DC | 361687 |

Mounting set stainless steel body

Note:

- A mounting clamp and 2 cylinder screws M4 × 6 are included in the scope of delivery.
- Only for stainless steel version
- 29 mm separation between the M4 threaded holes
- 48 mm separation between the Ø 7 bores

| Description | Article no. |
|-------------|-------------|
| | 260250 |

DTS 1000395475 EN Version: J Status: RL (released | freigegeben | validé) printed: 24.01.2025