



Electromotive 2/2-way angle seat valve (On/Off)

- Safety position via energy storage
- Rapid flow shut off
- Weather and impact resistant design
- Hygienically designed surface
- Versatile diagnostic options

Product variants described in the data sheet may differ from the product presentation and description.

Can be combined with

	Type ME61 EDIP process display	▶
	Type ME63 Industrial Ethernet gateway, IP65/ IP67/ IP69k	▶
	Type ME43 Fieldbus gateway	▶
	Type 8008 Flowmeter for gases	▶
	Type 8098 FLOWave SAW flowmeter	▶

Type description

The innovative Bürkert on/off valve Type 3320 is the solution when it comes to shut-off tasks under demanding operating conditions. The electromotive actuator of the angle seat valve with ball screw moves the swivel plate at a particularly high rate up to 6 mm/s to the desired end position. Thereby it reacts almost instantaneously to process signals. If necessary, the safety position can be approached by an optional energy storage in case of power failure. The electromotive actuator and shut-off valve are adapted perfectly to each other with closed design and robust surface. This ensures the hygienic requirements of fast and residue-free cleaning. Harsh ambient conditions are no problem for the electromotive angle seat valve Type 3320 due to the protection class IP65/IP67 and the high impact and vibration insensitivity. Thanks to the tried-and-tested, self-adjusting packing gland with exchangeable V-seals, the angle seat valve achieves maximum service life and tightness. The fieldbus-compatible Type 3320 shut-off valve offers the operator many helpful functions for process monitoring, valve diagnostics and preventive maintenance and therefore the decisive advantage of modern process automation.

Table of contents

1. General technical data	3
2. Approvals and conformities	5
2.1. General notes	5
2.2. Conformity	5
2.3. Standards	5
2.4. Explosion protection.....	5
2.5. North America (USA/Canada)	5
2.6. Drinking water	5
2.7. Foods and beverages/Hygiene	6
2.8. Others	6
Oxygen	6
3. Materials	7
3.1. Bürkert resistApp	7
3.2. Material specifications	7
4. Dimensions	9
4.1. Actuator	9
AG2.....	9
AG3.....	11
4.2. Body with threaded connection.....	13
4.3. Body with welded connection.....	14
4.4. Body with clamp connection	15
5. Performance specifications	16
5.1. Fluidic data.....	16
Overview of flow characteristics with flow below seat	16
5.2. Operating limits	17
Operating limits for medium temperature and operating pressure	17
Operating limits for ambient and medium temperature.....	18
Operating limits for seat seal	19
Operating limits for optional versions.....	19
5.3. Electrical control and interfaces.....	20
Interface diagram	20
6. Product design and assembly	21
6.1. Product features	21
6.2. Product assembly.....	23
Structure of electromotive valve Type 3320 AG2	23
Structure of electromotive valve Type 3320 AG3	24
7. Ordering information	25
7.1. Bürkert eShop	25
7.2. Bürkert product filter.....	25
7.3. Bürkert Product Enquiry Form	25
7.4. Ordering chart accessories.....	26
Standard accessories	26
Accessories cable.....	26
Bürkert accessories.....	26

1. General technical data

Note:

- AG2: actuator size 2 with a nominal force of 1300 or 2500 N for seat size 15...50
- AG3: actuator size 3 with a nominal force of 7700 or 10000 N for seat size 40...80

Product properties	
Dimensions	Further information can be found in chapter "4. Dimensions" on page 9.
Material	Further information can be found in chapter "3. Materials" on page 7.
Design	Angle seat on/off valve
Nominal diameter (port connection)	DN 15...80, NPS ½...3
Safety setting in case of power failure	With energy storage SAFEPOS energy-pack: open, closed or freely programmable Without energy storage SAFEPOS energy-pack: blocked in last position
Flow direction	Against closing direction (below seat)
Weight	Depending on actuator variant up to: AG2: 5.5 kg AG3: 16 kg (Total weight including valve body depending on port connection)
Performance data	
Operating pressure	0...25 bar(g) (see "5.1. Fluidic data" on page 16) Vacuum variant...-0.9 bar(g) (optional)
Nominal pressure	PN 25 (DIN EN 1333), Class 150 (DIN EN 1759)
Seat leak	Leakage rate A (DIN EN 12266 - 1), seat gasket PTFE and PEEK, test medium air
K _v value	5.0...140 m ³ /h (see "5.1. Fluidic data" on page 16)
Closing time ¹⁾	AG2: 2.3...6.6 s AG3: 8.7 s (Depending on travel speed, stroke and operating conditions)
Travel speed ¹⁾	6 mm/s (for AG2 actuator force 1300 N) 4 mm/s (for AG2 actuator force 2500 N) 3 mm/s (for AG3 actuator load 7700 N and 10000 N) (Depending on operating conditions)
Electrical data	
Operating voltage	24 V DC ± 10 % (maximum residual ripple 10 %)
Operating current ¹⁾	AG2: maximum 3 A (at maximum load and including 1 A charging current of the optional energy storage SAFEPOS energy-pack). At minimum operating temperature additionally 2 A. AG3: maximum 5 A (at maximum load and including charging current of the optional energy storage SAFEPOS energy-pack). At minimum operating temperature additionally 6 A.
Protection class (DIN EN 61140)	III
Duty cycle	100 %
Standby consumption ¹⁾	2...4 W
Communication and control	
Standard signal (analogue)	0...5 V (log „0") 10...30 V (log „1")
Fieldbus (digital)	Bürkert system bus (bÜS) (standard) CANopen (optional) EtherNet/IP, PROFINET, Modbus TCP (optional via integrated gateway)
Media data	
Operating medium	Steam, neutral gases, water, alcohols, oils, fuels, hydraulic fluids, salt solutions, lyes, organic solvents, oxygen (optional)
Medium temperature	- 40...+ 230 °C (see "5.2. Operating limits" on page 17)
Viscosity	Up to 600 mm ² /s

Process/Port connection & communication

Port connection ^{2.)}

Welded connection	DIN EN ISO 1127 / ISO 4200 / DIN 11866 series B DIN 11850 - 2 / DIN 11866 series A ASME BPE / DIN 11866 series C SMS 3008
Clamp connection	DIN 32676 series B (pipe: ISO 4200) DIN 32676 series A (pipe: DIN 11850 - 2) ASME BPE
Threaded connection	G (DIN ISO 228 - 1) NPT (ASME B1.20.1) RC (ISO 7 - 1)

Electrical connection

Actuator	Terminal strip with cable gland, 2 x M20 (only AG2) or 2 x M12 circular plugs, 5-pin and 8-pin
Fieldbus gateway	2 x M12 circular sockets, 4-pin (only with Industrial Ethernet)

Approvals and conformities

Further information can be found in chapter **"2. Approvals and conformities" on page 5.**

Detergent resistance	According to Ecolab test method: R&D/P3-E No. 40 - 1
----------------------	--

Environment and installation

Ambient temperature	- 25...+ 65 °C (only without additional modules) (Derating see "Operating limits for ambient and medium temperature" on page 18)
Degree of protection	IP65/IP67 (DIN EN 60529), NEMA 4X
Installation position	Any, preferably with actuator upright

1.) All values relate to a supply voltage of 24 V at + 25 °C.

2.) Others are available on request.

2. Approvals and conformities

2.1. General notes

- The approvals and conformities listed below must be stated when making enquiries. This is the only way to ensure that the product complies with all required specifications.
- Not all available versions can be supplied with the below mentioned approvals or conformities.



2.2. Conformity

In accordance with the Declaration of Conformity, the product is compliant with the EU Directives.


2.3. Standards

The applied standards which are used to demonstrate compliance with the EU Directives are listed in the EU-Type Examination Certificate and/or the EU Declaration of Conformity.


2.4. Explosion protection

Approval	Description
 	<p>Optional: Explosion protection (valid for the variable code PX48) As a category 3 device suitable for zone 2/22.</p> <p>ATEX: BVS 17 ATEX E 117 X II 3G Ex ec IIC T4 Gc II 3D Ex tc IIIC T135 °C Dc</p> <p>IECEX: IECEX BVS 17.0100X Ex ec IIC T4 Gc Ex tc IIIC T135 °C Dc</p>



2.5. North America (USA/Canada)

Approval	Description
	<p>Optional: Actuators UL Listed for the USA and Canada (valid for the variable code PU11) The actuators are UL Listed for the USA and Canada according to:</p> <ul style="list-style-type: none"> • UL 61010-1 (ELECTRICAL EQUIPMENT FOR MEASUREMENT, CONTROL, AND LABORATORY USE – Part 1: General Requirements) • CAN/CSA-C22.2 No. 61010-1

2.6. Drinking water


Conformity	Description
	<p>Optional: Suitable for use in drinking water applications (valid for the variable code PF39) The materials comply with the assessment principles (UBA) for materials in contact with drinking water (TrinkwasserV).</p> <p>PF39: Suitable for products with a maximum temperature of 85 °C (hot water)</p>

2.7. Foods and beverages/Hygiene

Conformity	Description
FDA	FDA – Code of Federal Regulations (valid for the variable code PL02, PL03) All wetted materials are compliant with the Code of Federal Regulations published by the FDA (Food and Drug Administration, USA) according to the manufacturer’s declaration.
	EC Regulation 1935/2004 of the European Parliament and of the Council (valid for the variable code PL01, PL02) All wetted materials are compliant with EC Regulation 1935/2004/EC according to the manufacturer’s declaration.
	China food GB Standards of the People’s Republic of China (valid for the variable code PL10) All wetted materials are compliant with the requirement of China food GB Standards according to the manufacturer’s declaration.

2.8. Others

Oxygen

Conformity	Description
	Optional: Suitability for oxygen (valid for the variable code NL02) The products are suitable for use with gaseous oxygen, according to the manufacturer’s declaration.

DTS 1000295547 EN Version: Z Status: RL (released | freigegeben | validé) printed: 18.12.2024

3. Materials

3.1. Bürkert resistApp



Bürkert resistApp – Chemical resistance chart

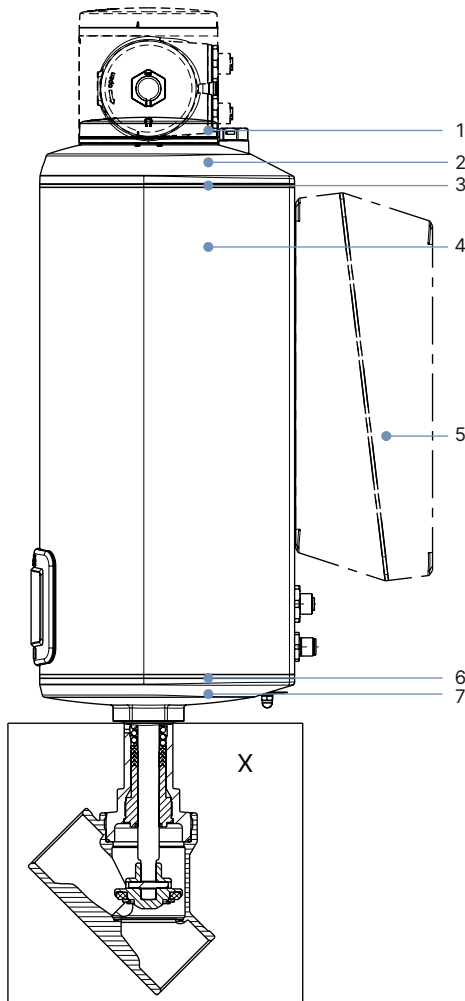
You want to ensure the reliability and durability of the materials in your individual application case? Verify your combination of media and materials on our website or in our resistApp.

[Start chemical resistance check](#)

3.2. Material specifications

Note:

The Type 3320 angle seat valve is supplied with different port connections (thread, welded and clamp connections). These connections are not shown. They are made of the same material as the valve body.

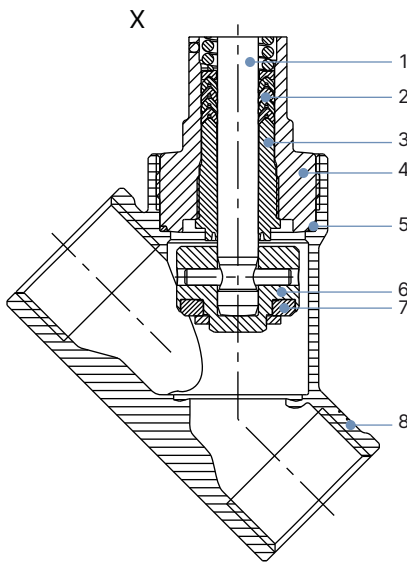


AG2

No.	Component	Material
1	Blind cover/gateway housing	PPS (standard), Stainless steel 1.4301 (for ATEX/IECEX)
2	Actuator cover	PPS
3	Seal	EPDM
4	Actuator housing	Powder-coated aluminium
6	Seal	EPDM
7	Actuator base	PPS

AG3

No.	Component	Material
1	Blind cover/gateway housing	PPS (standard), Stainless steel 1.4301 (for ATEX/IECEX)
2	Actuator cover	PC
3	Seal	EPDM
4	Actuator housing	Powder-coated aluminium
5	Energy storage SAFEPOS energy-pack housing	PC
6	Seal	EPDM
7	Actuator base	Stainless steel 1.4308



No.	Component	Material
1	Spindle	Stainless steel 1.4401 (316) /1.4404 (316L)
2	Spindle seal	PTFE V-seals (filled) with spring compensation
3	Spindle guide	PEEK or stainless steel 1.4404 (316L)
4	Packing gland tube	Stainless steel 1.4401 (316)
5	Seal valve body	Graphite or PTFE
6	Swivel plate	Stainless steel 1.4401 (316)/1.4404 (316L)
7	Valve seat seal	PTFE or PEEK sealing washer
8	Valve body	Stainless steel CF3M

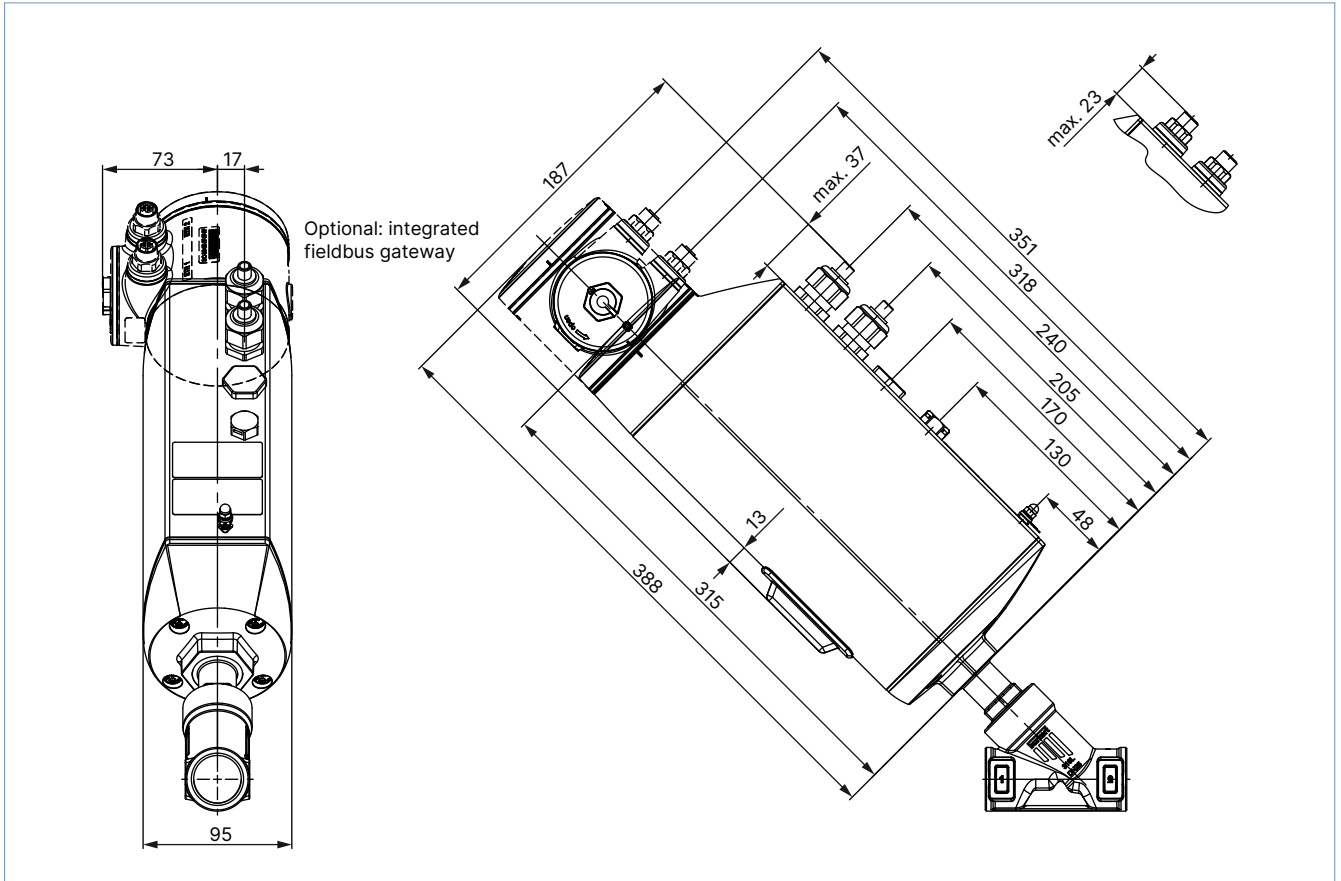
4. Dimensions

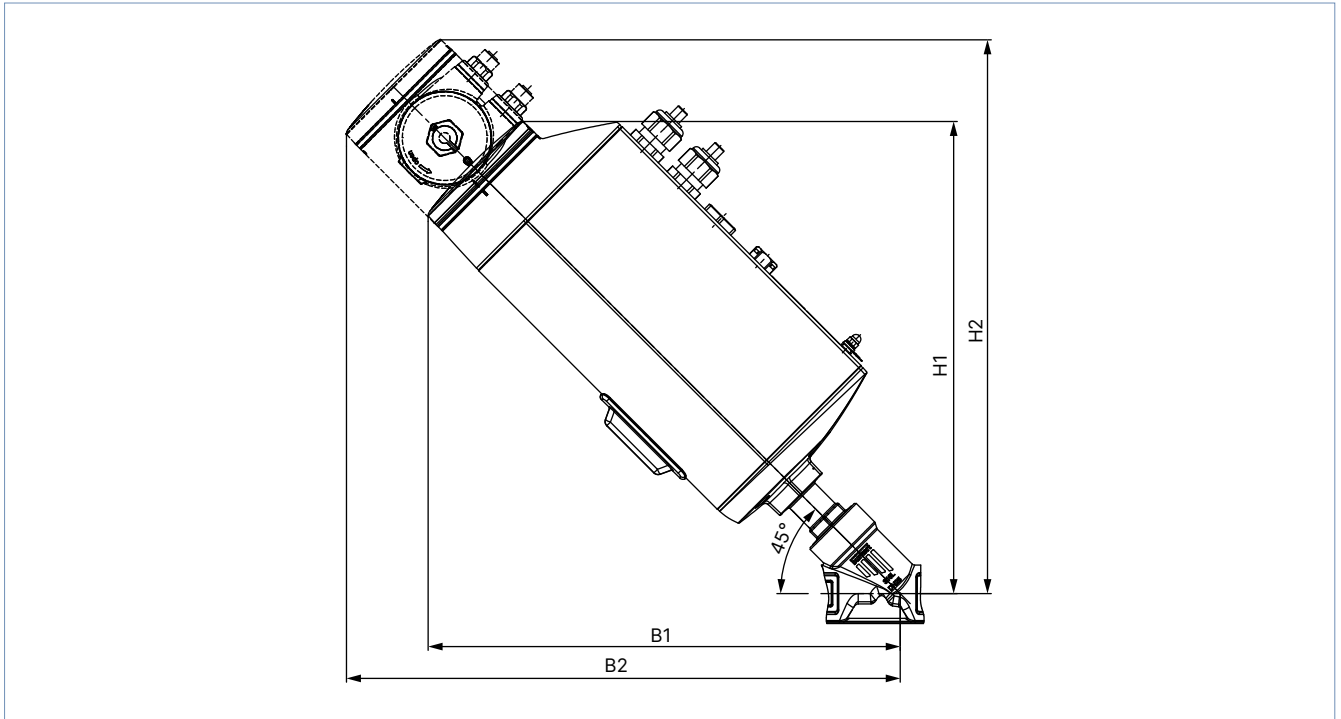
4.1. Actuator

AG2

Note:

Dimensions in mm, unless otherwise stated





Nominal diameter (port connection)		Height/width ^{1.)}	
DN	NPS	H1/B1 Standard variant	H2/B2 ^{2.)} Fieldbus variant (KOMM ≠ G, N, L)
15	1/2	311	362
20	3/4	319	369
25	1	321	372
32	1 1/4	330	381
40	1 1/2	333	384
50	2	367	418

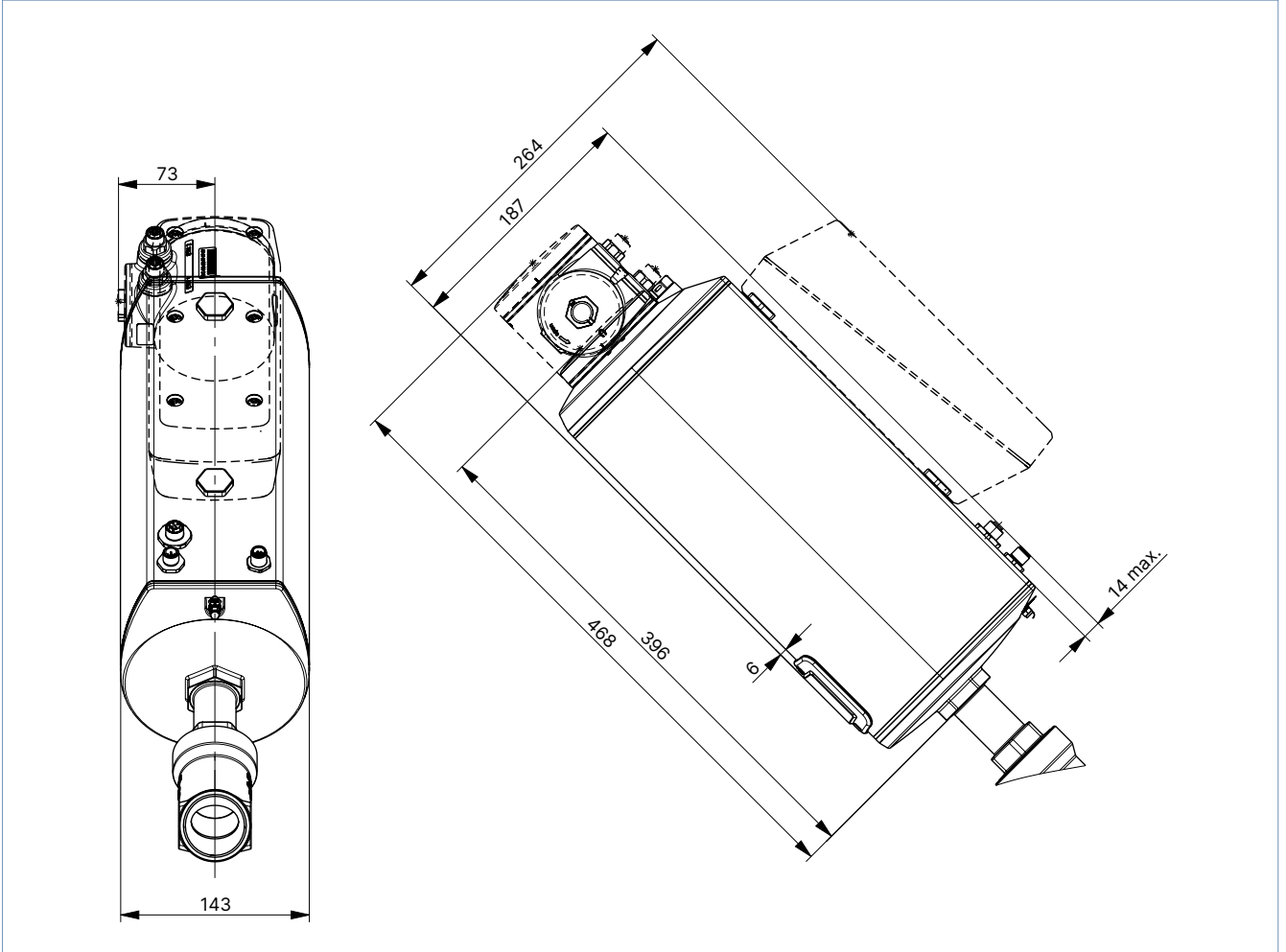
1.) Dimensions without sealing function: the actuator is raised by approx. 2 mm in the closed position.

2.) Optional: integrated fieldbus gateway

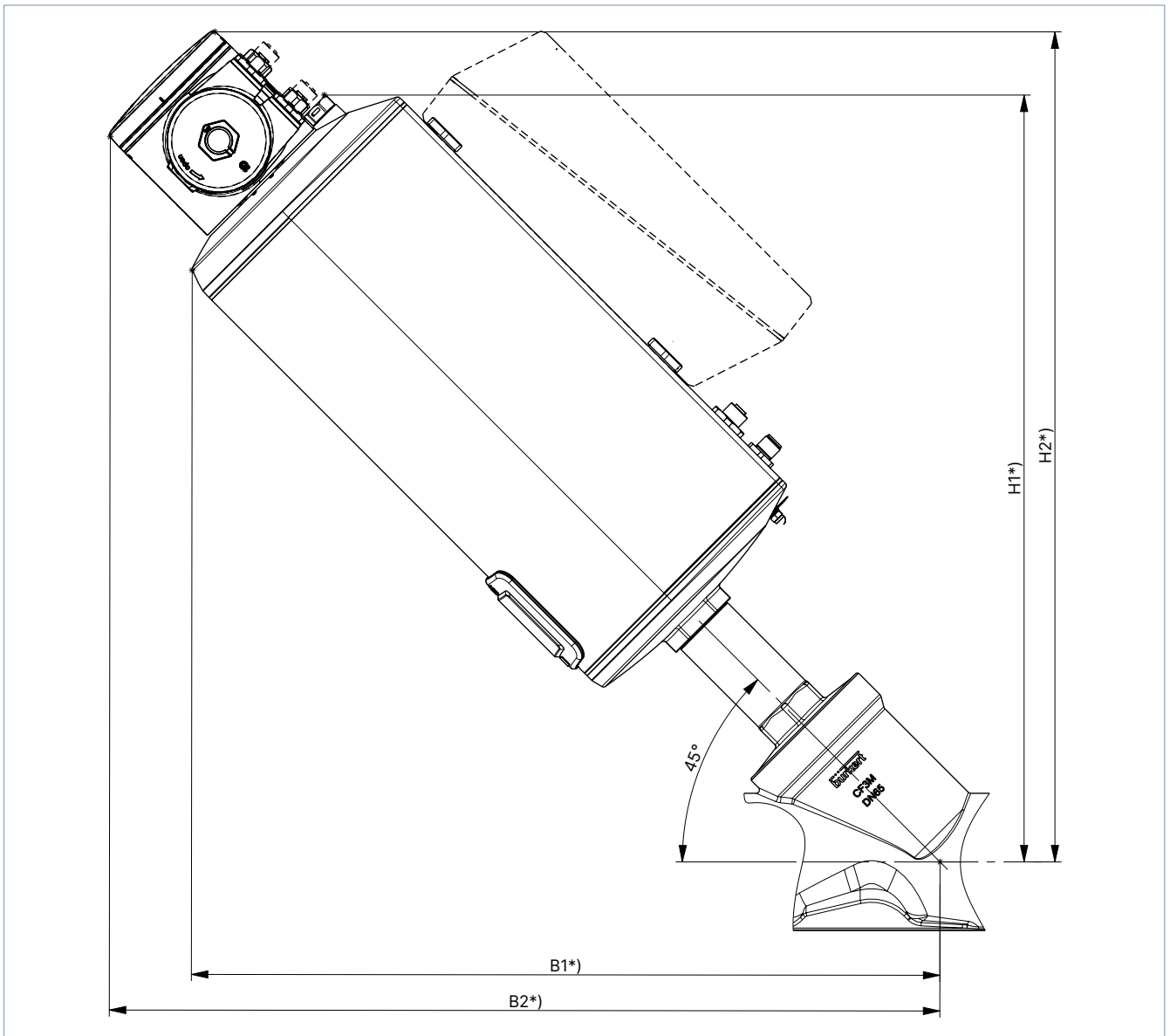
AG3

Note:

Dimensions in mm, unless otherwise stated



DTS 1000295547 EN Version: Z Status: RL (released | freigegeben | validé) printed: 18.12.2024



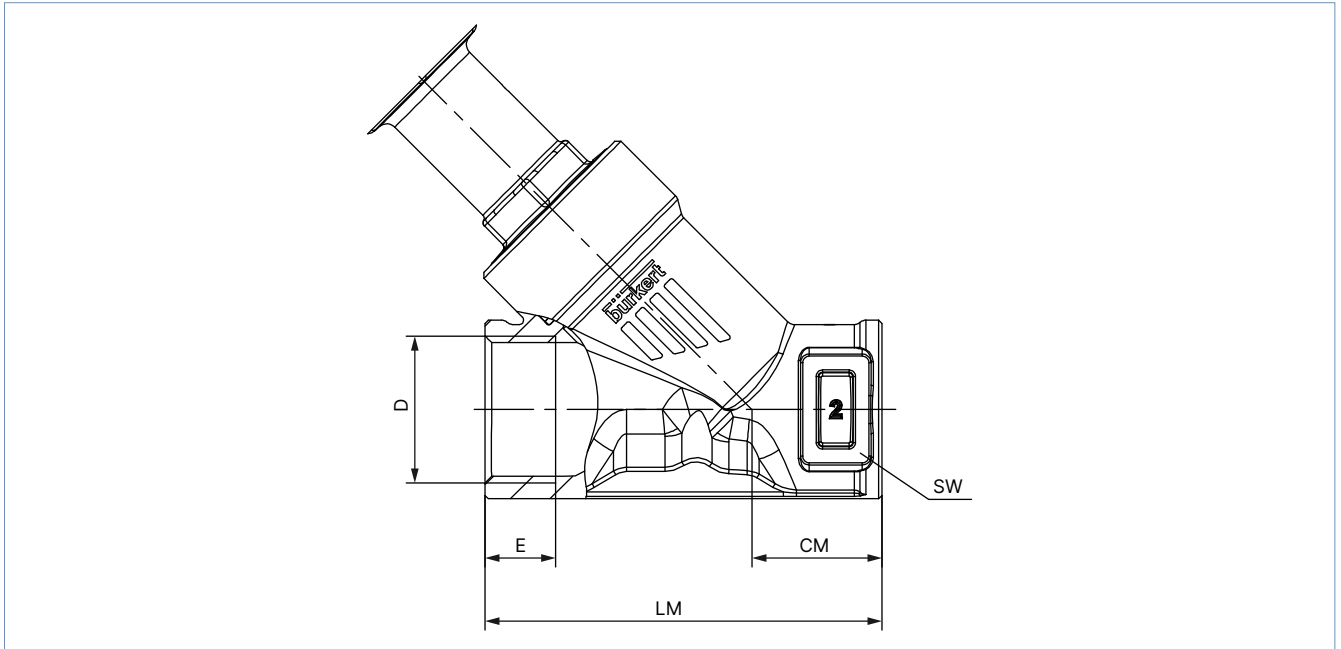
Nominal diameter (port connection)		Height/width ¹⁾	
DN	NPS	H1/B1 Standard variant	H2/B2 ^{2.)} Fieldbus variant (KOMM ≠ G, N, L)
40	1½	439	479
50	2	454	494
65	2½	467	507

1.) Dimensions without sealing function: the actuator is raised by approx. 2 mm in the closed position.
 2.) Optional: integrated fieldbus gateway

4.2. Body with threaded connection

Note:

Dimensions in mm, unless otherwise stated



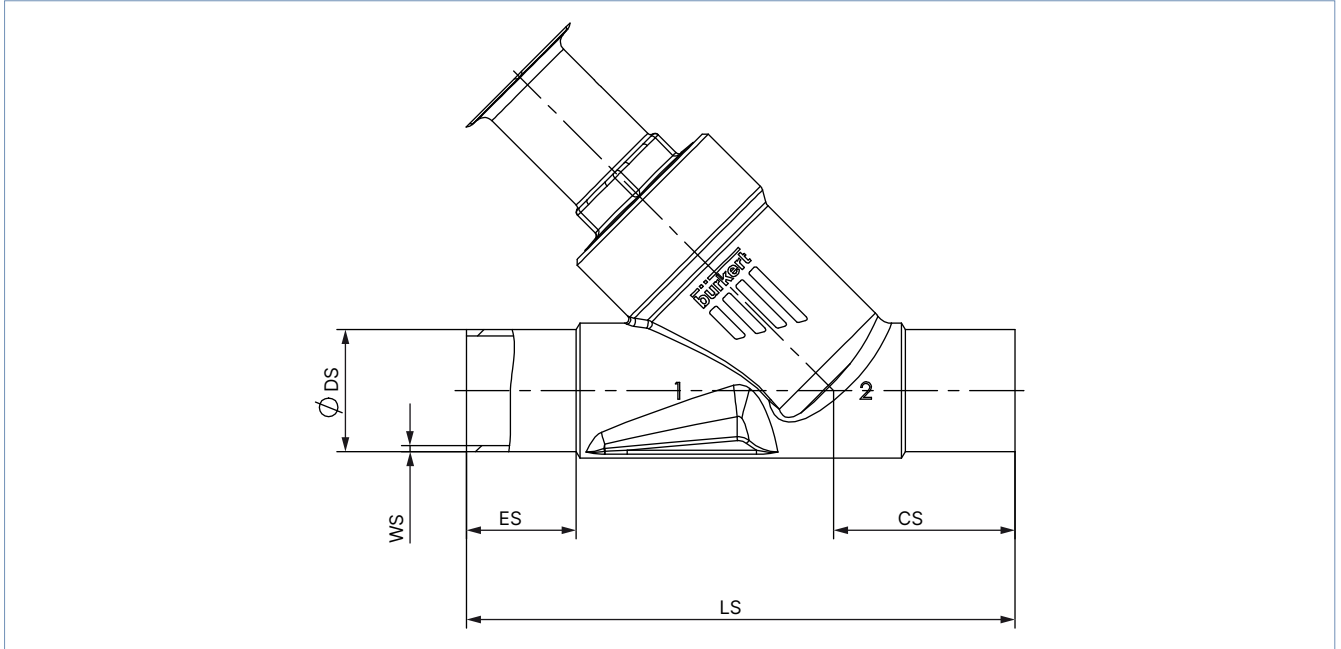
Nominal diameter (port connection)	G (DIN ISO 228 - 1) NPT (ASME B1.20.1) RC (ISO 7 - 1)				CM	LM	SW
	D	E					
DN	NPS	G	NPT	Rc			
15	½	14	13.7	13.2	24	65	27
20	¾	16	14	14.5	27	75	34
25	1	18	16.8	16.8	29.5	90	41
32	1¼	16	17.3	19.1	36	110	50
40	1½	18	17.3	19.1	35	120	55
50	2	24	17.6	23.4	45	150	70
65	2½	26	23.7	26.7	57	185	85
80	3	28	30.5	29.8	71	220	100

DTS 1000295547 EN Version: Z Status: RL (released | freigegeben | valide) printed: 18.12.2024

4.3. Body with welded connection

Note:

Dimensions in mm, unless otherwise stated



Nominal diameter (port connection)	DIN EN ISO 1127 / ISO 4200 / DIN 11866 series B					DIN 11850 - 2 / DIN 11866 series A				
	ES	CS	LS	Ø DS	WS	ES	CS	LS	ØDS	WS
15	19	34	100	21.3	1.6	19	34	100	19	1.5
20	20	39	115	26.9	1.6	20	39	115	23	1.5
25	26	43	130	33.7	2	26	43	130	29	1.5
32	26	45	145	42.4	2	26	45	145	35	1.5
40	26	49	160	48.3	2	26	49	160	41	1.5
50	26	50	175	60.3	2	26	50	175	53	1.5
65	26	50	210	76.1	2 (2.3)	26	50	210	70	2
80	26	88.5	266	88.9	2.3	26	88.5	266	85	2

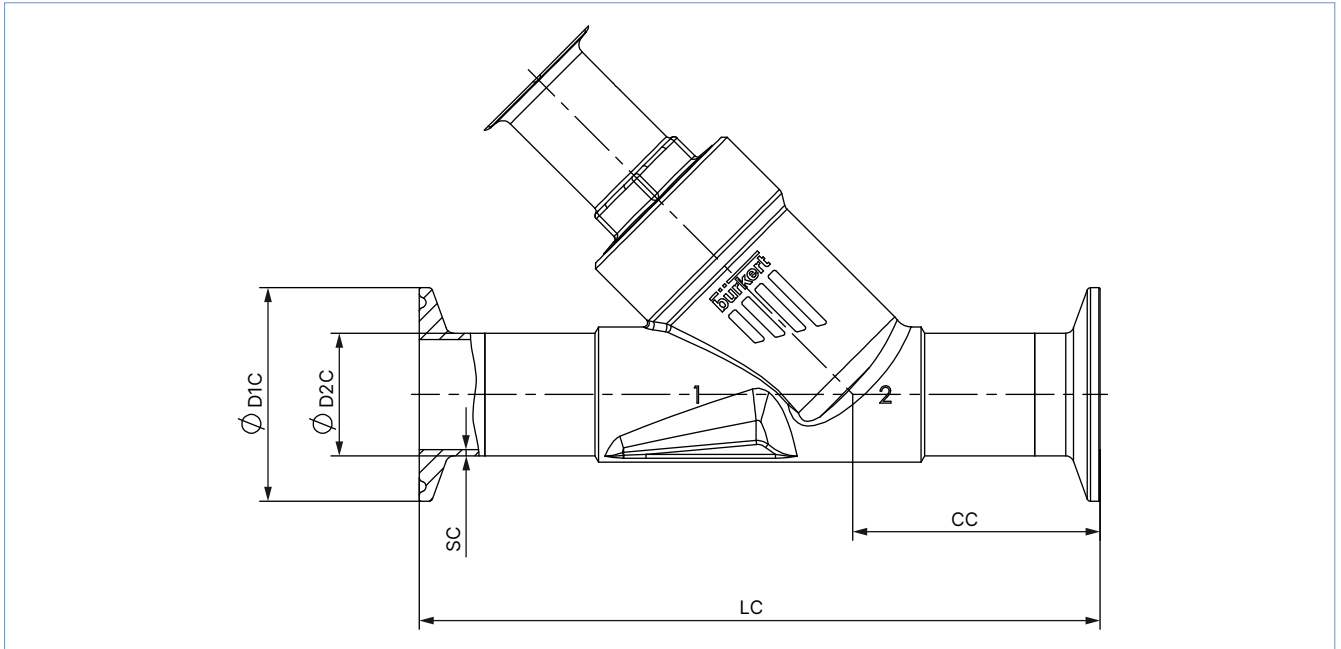
Nominal diameter (port connection)	ASME BPE / DIN 11866 series C				
	ES	CS	LS	ØDS	WS
1/2	30	46	135	12.7	1.65
3/4	30	52	145	19.05	1.65
1	30	51	152	25.4	1.65
1 1/2	30	60	182	38.1	1.65
2	30	64	210	50.8	1.65
2 1/2	26	56	230	63.5	1.65
3	26	88.5	266	76.2	1.65

DTS 1000295547 EN Version: Z Status: RL (released | freigegeben | validé) printed: 18.12.2024

4.4. Body with clamp connection

Note:

Dimensions in mm, unless otherwise stated



Nominal diameter (port connection)	Clamp: DIN 32676 series B Pipe: DIN EN ISO 1127 / ISO 4200 / DIN 11866 series B					Clamp: DIN 32676 series A (DN 15 similar to DIN 32676 series B) Pipe: DIN 11850 - 2 / DIN 11866 series A				
	DN	LC	CC	ØDC	ØD2 C	SC	LC	CC	ØD1 C	ØD2 C
15	156	49.0	50.5	21.3	1.6	130	49.5	34	19	1.5
20	150	56.5	50.5	26.9	1.6	150	57	34	23	1.5
25	160	58.0	50.5	33.7	2	160	58.5	50.5	29	1.5
32	200	57.5	50.5	42.4	2	180	58	50.5	35	1.5
40	200	69.0	64	48.3	2	200	69.5	50.5	41	1.5
50	230	77.5	77.5	60.3	2.6	230	78	64	53	1.5
65	265	77.5	91	76.1	2	265	78	91	70	2

Nominal diameter (port connection)	Clamp: ASME BPE Pipe: ASME BPE / DIN 11866 series C				
	NPS	LC	CC	ØD1 C	ØD2 C
½	130	49	25	12.7	1.65
¾	150	56.5	25	19.5	1.65
1	160	58	50.5	25.4	1.65
1½	200	69	50.5	38.1	1.65
2	230	77.5	64	50.8	1.65
2½	286	83	77.5	63.5	1.65

DTS 1000295547 EN Version: Z Status: RL (released | freigegeben | validé) printed: 18.12.2024

5. Performance specifications

5.1. Fluidic data

Overview of flow characteristics with flow below seat

Note:

- K_v value [m^3/h]: measurement with water according to DIN EN 60534 - 2 - 4
- For operating limits see ["5.2. Operating limits" on page 17](#)

Nominal diameter (port connection)		Actuator force ¹⁾	Operating pressure max.		K_v value water
DN	NPS		Seat seal		
			PTFE (up to + 130 °C)	PEEK (up to + 230 °C)	
		[N]	[bar(g)]		[m^3/h]
15	1/2 ^{2.)}	1300	25	25	5
20	3/4 ^{2.)}				11
25	1 ^{2.)}				18
32	1 1/4 ^{2.)}	1300	16	16	31
		2500	25	25	
40	1 1/2 ^{2.)}	1300	10	10	42
		2500	18	18	
		7700	–	25	
50	2 ^{2.)}	1300	6	6	62
		2500	10	10	
		7700	–	25	
65	2 1/2 ^{2.)}	10000	–	25	95
80	3 ^{2.)}	10000	–	17	140

1.) AG2: actuator size 2 with a nominal force of 1300 or 2500 N

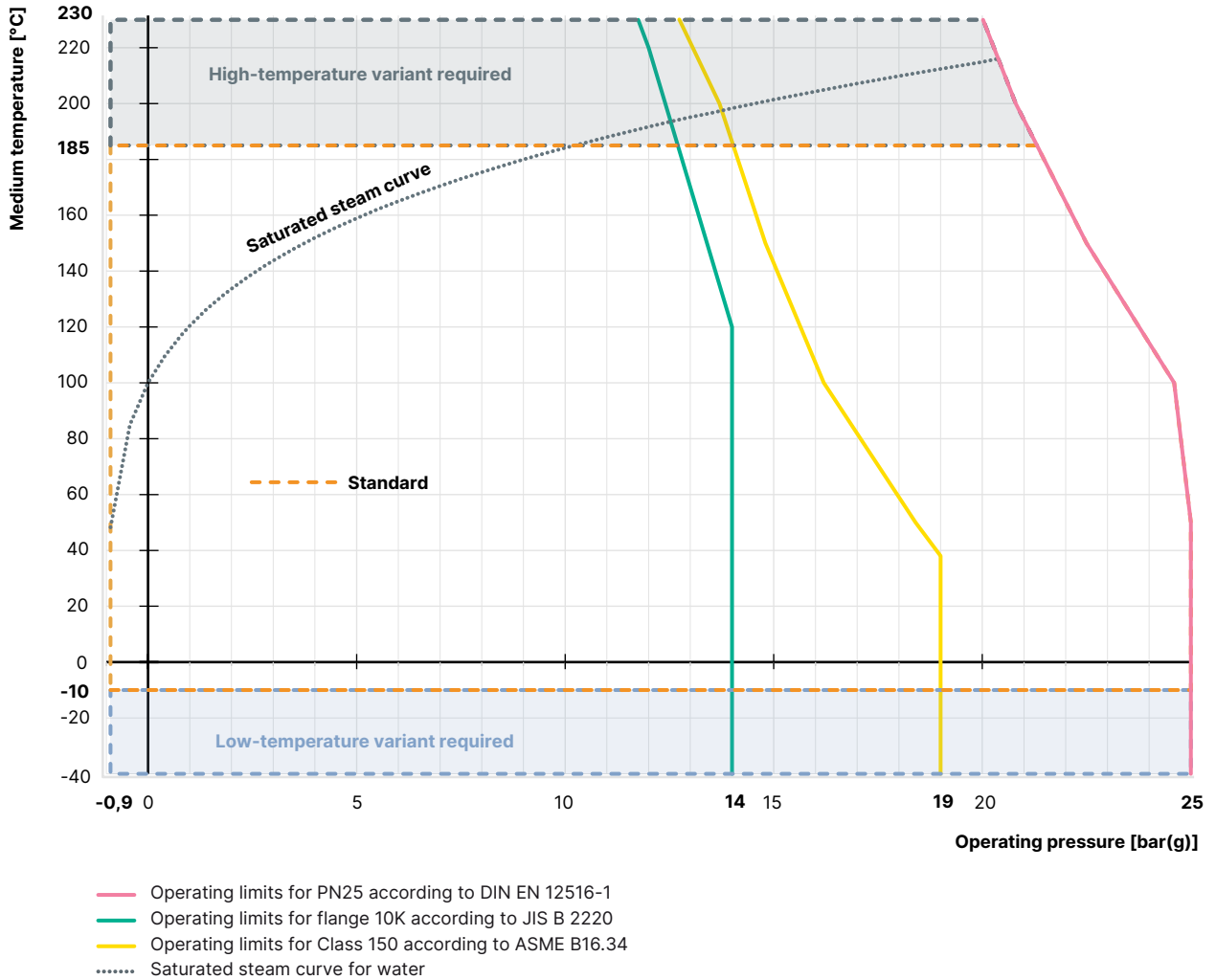
AG3: actuator size 3 with a nominal force of 7700 or 10000 N

2.) Deviation for port connections according to ASME BPE: the largest Nominal diameter (port connection) next in size is used, e.g. NPS 1 instead of NPS 3/4.

5.2. Operating limits

Operating limits for medium temperature and operating pressure

The operating range of Bürkert process valves is in addition to the maximum operating pressures limited by the nominal pressure according to the relevant standard.

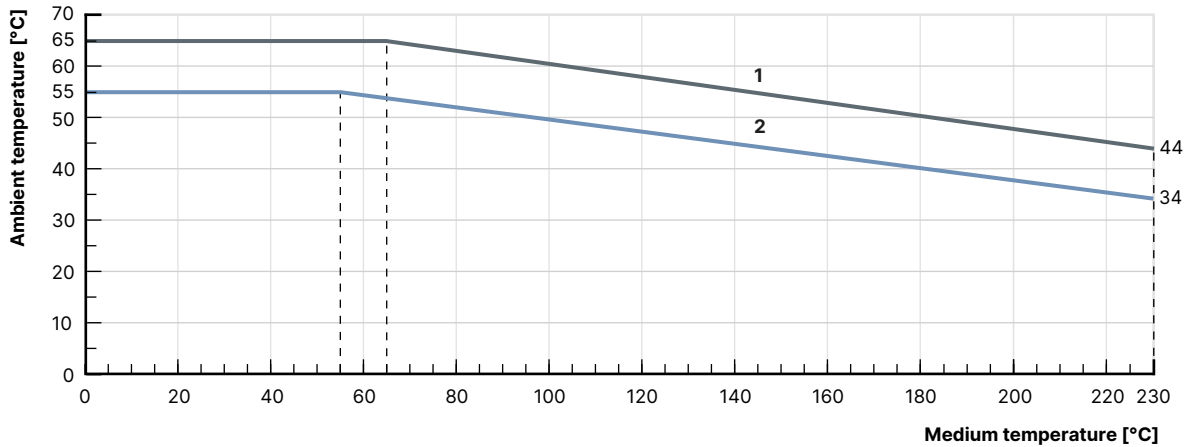


DTS 1000295547 EN Version: Z Status: RL (released | freigegeben | validé) printed: 18.12.2024

Operating limits for ambient and medium temperature

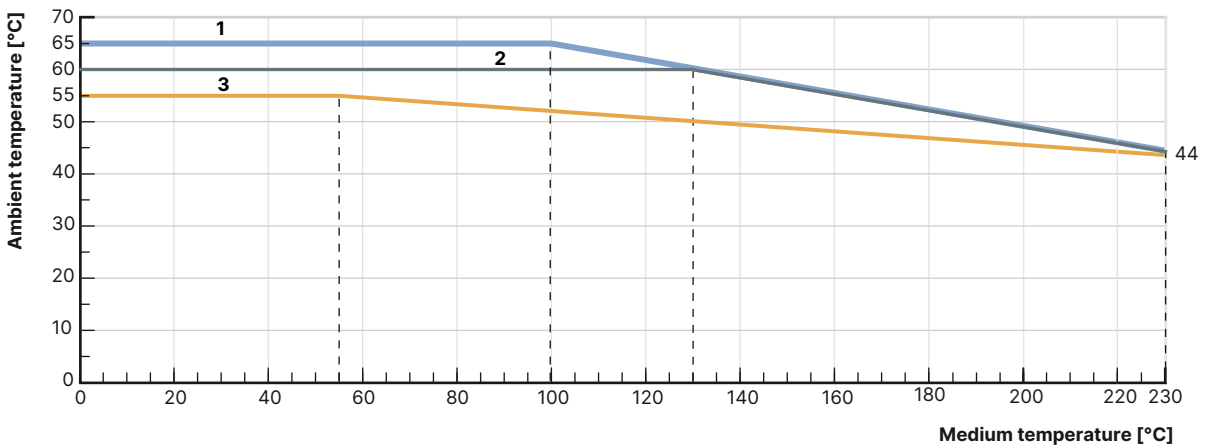
The maximum permissible temperature for the environment and the medium are dependent on each other. The maximum allowable temperature curves of different device variants are shown in the temperature chart. The curves were determined for maximum operating conditions (maximum operating pressure and motor power). For deviating operating conditions an individual verification can be carried out. Please contact your Bürkert office for more information.

AG2



No.	Description
1	Devices without module
2	Devices with energy storage SAFEPOS energy-pack or fieldbus gateway

AG3



No.	Description
1	Devices without module
2	Devices with energy storage SAFEPOS energy-pack
3	Devices with fieldbus gateway

DTS 1000295547 EN Version: Z Status: RL (released | freigegeben | validé) printed: 18.12.2024

Operating limits for seat seal

PTFE is used for a maximum medium temperature of $<+130\text{ °C}$. If the maximum medium temperature temporarily or permanently exceeds $+130\text{ °C}$, PEEK as a seal material is the appropriate solution.

Operating limits for optional versions

High-temperature version

Thanks to an adaption of the spindle seal, this version is suitable for applications with steam, neutral gases and other heat transfer mediums up to $+230\text{ °C}$.

Drinking water version

Wetted materials are tested in contact with the medium are tested for suitability with drinking water up to $+85\text{ °C}$.

Vacuum version

Without leakage bore, this design is suitable for pressures down to -0.9 bar .

Low-temperature version

Suitable for minimum medium temperatures down to -40 °C .

Version for oxygen

Non-metallic wetted materials are tested for suitability with oxygen and are suitable for operating pressures up to 25 bar(g) and medium temperatures up to $+60\text{ °C}$.

5.3. Electrical control and interfaces

Interface diagram

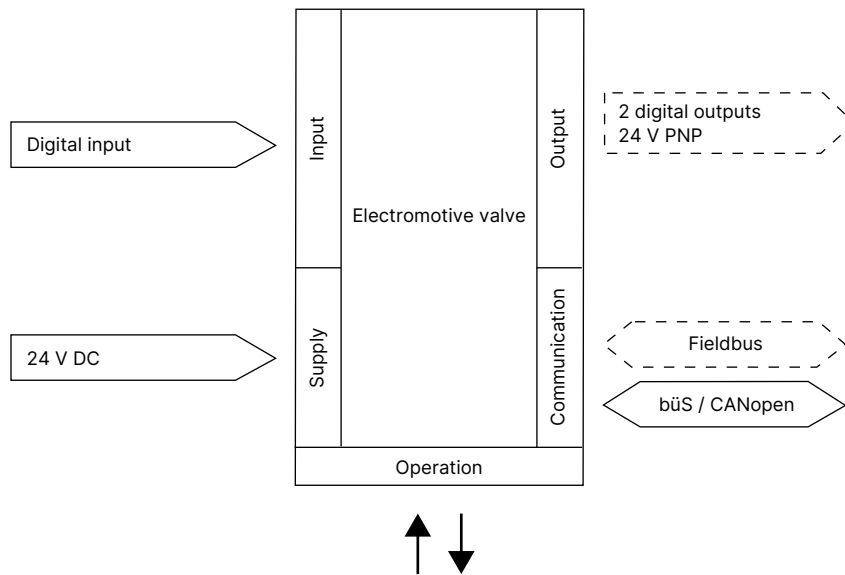
The actuator position is controlled according to the digital input. The selection is made either by an external standard signal or via a fieldbus (digital).

Inputs and outputs:

- 1 digital input, 2 digital outputs

Interface:

- Cable gland with connection terminal (only AG2)
- M12 circular plug-in connectors (optional)



Note:
Optional outputs are represented as a broken line.

Control data	
Digital input	0...5 V = log „0“, 10...30 V = log „1“, inverted input reversed accordingly
Digital output	Current limitation 100 mA
Communication	
Communication interface (bùS)	Connection to PC via USB bùS interface set (connection terminals, circular plug-in connector or bùS service interface)
Communication software (bùS)	Bürkert Communicator, see Type 8920 ▶

6. Product design and assembly

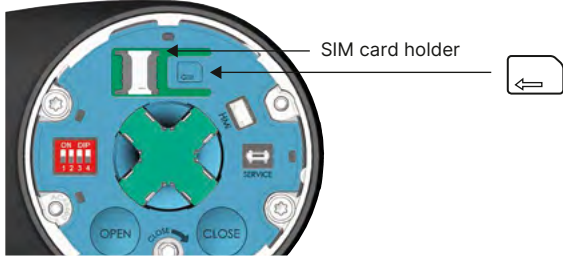
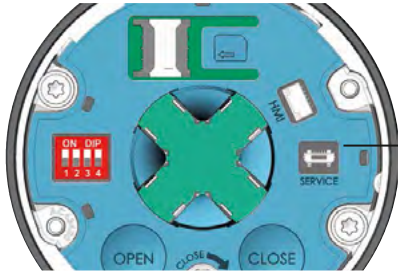
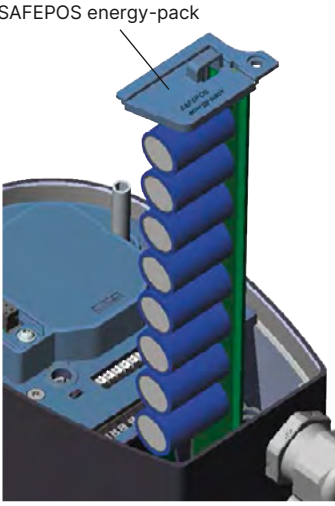
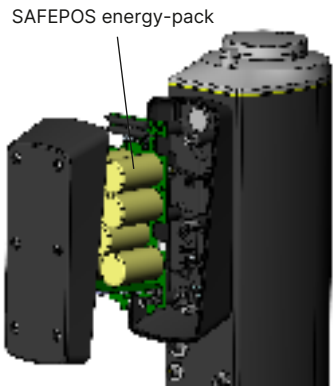
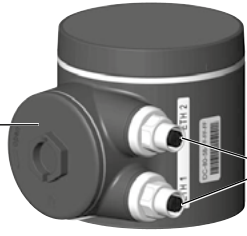
6.1. Product features

Note

Further information can be found in the **operating instructions Type 3320** ▶.

<p>User interface</p> <p>The basic functions are operated by 4 DIP switches and 2 push buttons. These are located under the blind cover which can be removed manually by turning. Through the bÜS service access, the device can also be configured in detail with the Bürkert communicator software.</p> <p>For this, the optional USB-bÜS interface kit is required (see "7.4. Ordering chart accessories" on page 26).</p>	<p>Blind cover dismantled</p>
<p>Actuation</p> <p>Mechanical manual control</p> <p>The manual override for mechanical movement of the valve is located for AG2 under the blind cover and for AG3 under the pressure compensation element. It ensures that the actuator can be operated even if the power supply fails.</p>	<p>Mechanical manual override AG2</p>
<p>Electrical control via operating elements</p> <p>The electrical manual override for the procedure is carried out via two buttons under the blind cover.</p>	
<p>Display elements</p> <p>Display 360° LED light ring</p> <p>A clearly visible 360° LED ring is attached to the blind cover to indicate the device status, the valve end position and the operating status. The LED light ring lights up, blinks or flashes in one or changing colours, depending on the LED mode set.</p> <p>Mechanical position indicator:</p> <p>The mechanical position indicator shows the current valve position even if the supply voltage fails.</p>	

DTS 1000295547 EN Version: Z Status: RL (released | freigegeben | validé) printed: 18.12.2024

Data transmission (optional)		
<p>SIM card (optional) With the optionally available SIM card, device-specific values and user settings can be stored and quickly transferred to another device.</p>	 <p>SIM card holder</p>	
<p>büS service interface The büS service interface connects the device with the Bürkert Communicator software on a PC, laptop or smartphone. From there a configuration of the device or error diagnosis can be carried out.</p>	 <p>büS service interface Connection for CAN adapter or USB-büS interface set</p>	
Safety position via energy storage (optional)		
<p>AG2</p> <p>The safety starting positions in case of power interruption is realised with the optional energy storage SAFEPOS energy-pack. The desired position is set via the menu. In addition to the end positions (open/closed), any desired intermediate position can be defined here. The energy storage has a lifespan of up to 10 years, depending on the operating conditions. The power of the energy storage is monitored and a warning is displayed to indicate its service life is coming to an end. The storage device is designed as a plug-in module to facilitate replacement. Without energy storage, the valve remains in the last position it was in.</p> <p>The energy storage device is fully charged and ready for operation after a maximum of 120 seconds (depending on the operating conditions).</p> <p>The energy storage device cannot be retrofitted in the field.</p>	<p>AG2</p>  <p>SAFEPOS energy-pack</p>	<p>AG3</p>  <p>SAFEPOS energy-pack</p>
Fieldbus: EtherNet/IP, PROFINET, Modbus TCP (optional)		
<p>The fieldbus gateway for EtherNet/IP, PROFINET and Modbus TCP is integrated in an additional module. It has 2 fieldbus connections with 4-pin M12 circular sockets. The interfaces for the fieldbus connection and the status LEDs are located under the gateway housing cover. If there is a need for it to be included in a network, the Ethernet configuration can be performed via the web server.</p> <p>The gateway cannot be retrofitted in the field.</p>	 <p>Fieldbus gateway</p> <p>Fieldbus M12 connection (2 Port Ethernet Switch)</p>	

DTS 1000295547 EN Version: Z Status: RL (released | freigegeben | validé) printed: 18.12.2024

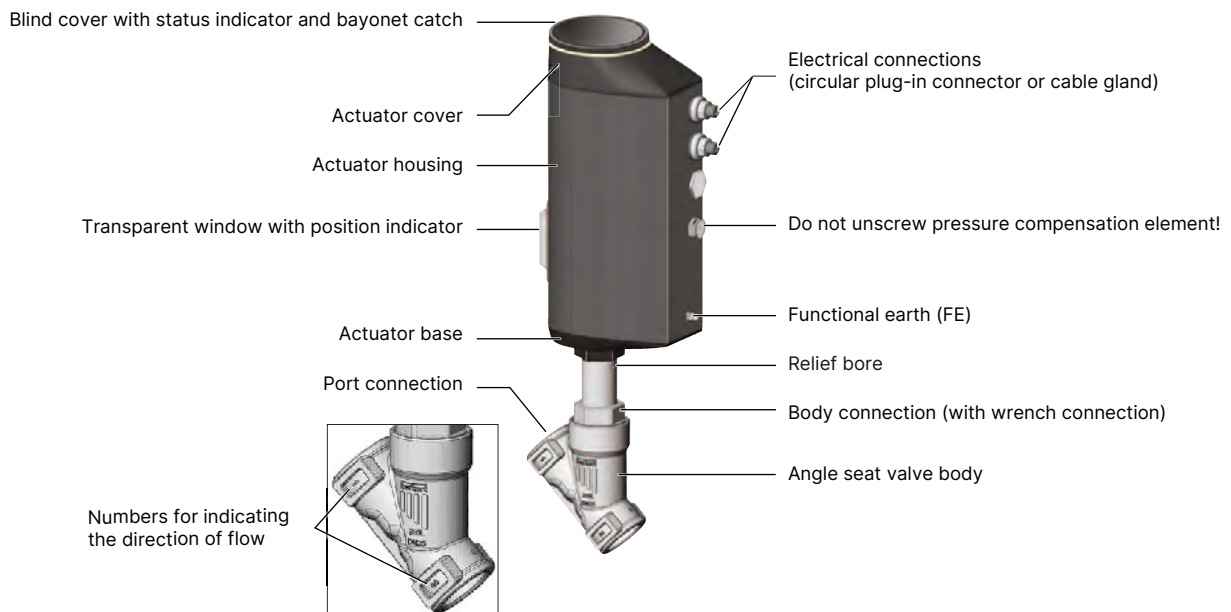
6.2. Product assembly

The electromotive linear drive consists of a brushless DC motor, a gear and a spindle system that transfers the force to the closing element. The integrated control electronics are controlled either by standard signals or via a fieldbus (digital). A positioner and a process controller are available as controller variants. The electromotive linear actuator is designed to provide optimum efficiency. At the same time, it keeps the valve tight and in position even at the maximum specified medium pressure in a powerless standstill. The optional energy storage device SAFEPOS energy-pack is available for the device. If the supply voltage fails, it supplies the actuator with the energy required to move the valve into the desired position, which can be set in the menu.

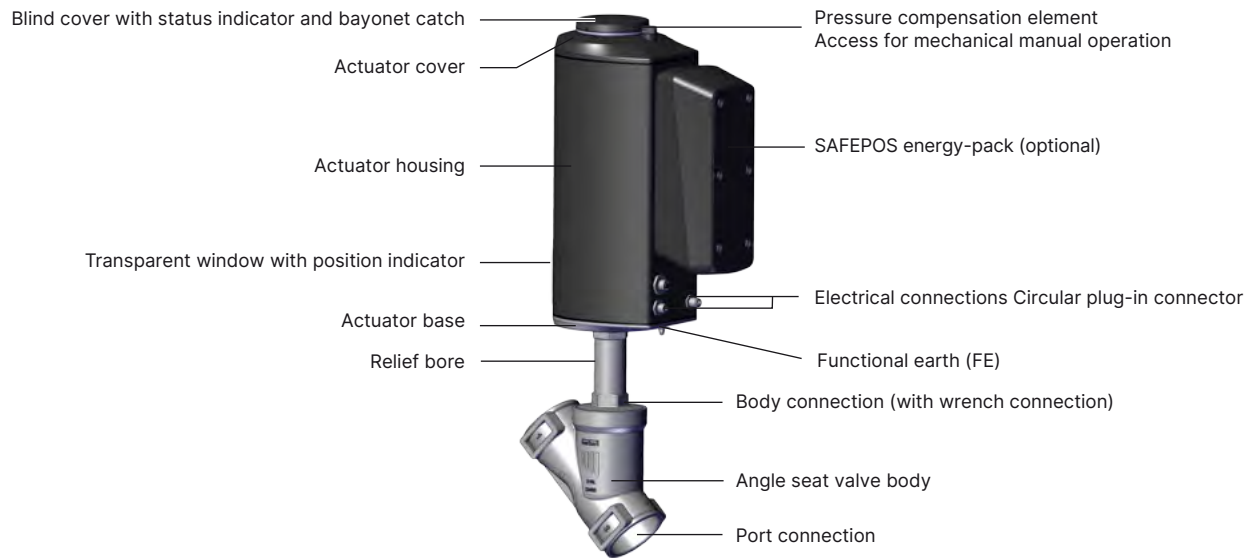
The valve position can be changed manually in 2 ways. Either via the electrical manual control or via a mechanical manual control if no supply voltage is available. The device can be set and operated either via 2 capacitive keys switches or, optionally, on a display with touch screen. Additionally, you can always operate the device via the bÜS service interface and using the software Bürkert Communicator.

The intelligent process valve Type 3320 offers the operator options for process monitoring, valve diagnosis and preventive maintenance. Internal measurements of the operating status are evaluated and, if necessary, issued as a warning or error message. These signal, for example, impermissible ambient and process conditions, functional deviations of components, or the status of the energy storage device.

Structure of electromotive valve Type 3320 AG2



Structure of electromotive valve Type 3320 AG3



DTS 1000295547 EN Version: Z Status: RL (released | freigegeben | valide) printed: 18.12.2024

7. Ordering information

7.1. Bürkert eShop



Bürkert eShop – Easy ordering and quick delivery

You want to find your desired Bürkert product or spare part quickly and order directly? Our online shop is available for you 24/7. Sign up and enjoy all the benefits.

[Order online now](#)

7.2. Bürkert product filter



Bürkert product filter – Get quickly to the right product

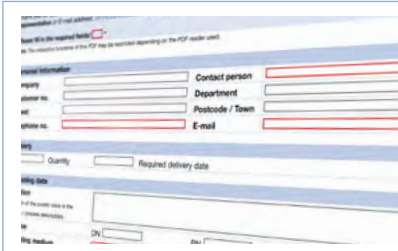
You want to select products comfortably based on your technical requirements? Use the Bürkert product filter and find suitable articles for your application quickly and easily.

[Try out our product filter](#)

7.3. Bürkert Product Enquiry Form

Note:

Please see our Product Enquiry Form for a full explanation of our specification key.



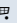


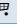


Bürkert Product Enquiry Form – Your enquiry quickly and compactly

Would you like to make a specific product enquiry based on your technical requirements? Use our Product Enquiry Form for this purpose. There you will find all the relevant information for your Bürkert contact. This will enable us to provide you with the best possible advice.

[Fill out the form now](#)

7.4. Ordering chart accessories


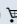
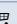
Standard accessories

Description	Article no.
SIM card for data transmission between units	291773 
Holding device for line connection DN 15...40	693770 
Retaining device for line connection DN 50	693771 
Dummy cover made of plastic	277881 
Spare part energy storage SAFEPOS energy-pack (AG2)	285834 
Spare part energy storage SAFEPOS energy-pack (AG3)	20046438 

Accessories cable

Note:



For connection to a bÜS/CANopen network see [cabling guide](#) ▶

Description	Article no.
M12 circular socket with cable, 4-pin, A-coded, cable length: 5 m, for X3, operating voltage AG2 (without communication)	918038 
M12 circular socket with cable, 5-pin, L-coded, cable length: 5 m, for X4, operating voltage AG3 (without communication)	20010840 
M12 circular socket with cable, 8-pin, A-coded, cable length: 2 m, for X1, input and output signals	919061 

Bürkert accessories

Note:

- For connection to a bÜS/CANopen network see [cabling guide](#) ▶
- For detailed accessory tables see [cabling guide](#) ▶.

Description	Article no.
Software Bürkert Communicator, Type 8920	Type 8920 ▶
USB-bÜS-Interface Set 1 (Type 8923)	772426 
USB-bÜS-Interface Set 2 (Type 8923)	772551 
bÜS adapter for bÜS service interface (M12 on bÜS service interface micro USB), cable length: 0.3 mm	773254 