



Plunger valve 3/2-way direct-acting

- 3/2 way seat valve direct-acting
- Push-over coil system
- Medium temperature up to +180 °C
- For liquid and gaseous media



Product variants described in the data sheet may differ from the product presentation and description.

Can be combined with

	<p>Type 1087 Timer, form A according to DIN EN 175301-803</p>	▶
	<p>Type 2518 Cable plug, form A according to DIN EN 175301-803</p>	▶

Type description

Direct-acting plunger solenoid valve Type 0355 for controlling hot media such as steams, oils and gases.

DTS 1000010931 EN Version: RL (released | freigegeben | validé) printed: 24.01.2025

Table of contents

1. General technical data	3
2. Circuit functions	4
3. Approvals and conformities	4
3.1. General notes	4
3.2. Conformity	4
3.3. Standards	4
3.4. North America (USA/Canada)	4
3.5. Others	4
Oxygen	4
4. Materials	5
4.1. Bürkert resistApp	5
4.2. Material specifications	5
5. Dimensions	6
5.1. Stainless steel version	6
5.2. Brass version	7
6. Ordering information	8
6.1. Bürkert eShop	8
6.2. Bürkert product filter	8
6.3. Bürkert Product Enquiry Form	8
6.4. Ordering chart	9
6.5. Ordering chart accessories	9
Cable plug Type 2518, form A according to DIN EN 175301 - 803	9
Mounting set brass body	10
Mounting set stainless steel body	10

DTS 1000010931 EN Version: L Status: RL (released | freigegeben | validé) printed: 24.01.2025

1. General technical data

Product properties	
Dimensions	Further information can be found in chapter "5. Dimensions" on page 6.
Material	
Seal	NBR, FKM, PTFE, EPDM
Body	Brass with stainless steel seat 1.4305, stainless steel 1.4581
Coil	Epoxy
Inner part of valve	Stainless steel
Orifice	DN 2.0...DN 4.0
Circuit function	C
	Further information can be found in chapter "2. Circuit functions" on page 4.
Thermal insulation class of solenoid coil	Epoxy coil class H
Performance data	
Duty cycle	100 % continuous operation
Electrical data	
Operating voltage	24 V DC, 24 V 50 Hz, 110 V 50 Hz, 230 V 50 Hz (further voltages on request)
Power consumption	
Inrush	AC: 35...40 VA
Hold (hot coil)	AC: 16 VA/10 W DC: approx. 12 W
High temperature coil CF42	Cold performance: 10 W Warm performance: 6 W
High temperature coil CF09	Cold performance: 13 W Warm performance: 7 W
Voltage tolerance	± 10 %
Medium data	
Operating medium	
With NBR	Neutral fluids, hydraulic oil, oil without additives
With EPDM	Oil and fat-free fluids
With FKM	Per-solutions, hot oils with additives
With PTFE	Steam, organic solvents
Medium temperature	
With NBR	- 10 °C...+ 90 °C
With EPDM	- 40 °C...+ 130 °C
With FKM	0 °C...+ 130 °C
With PTFE	- 40 °C...+ 180 °C
Process/Port connection & communication	
Electrical connection	Plug contacts according to DIN EN 175301 - 803 form A for cable plug Type 2518 ▶ Further information can be found in chapter "Cable plug Type 2518, form A according to DIN EN 175301 - 803" on page 9 (supplied as standard).
Port connection	G ¼, NPT on request
Approvals and certificates	
Degree of protection	IP65 with cable plug IP50 without cable plug for high temperature devices
North America (USA/Canada)	Further information can be found in chapter "3.4. North America (USA/Canada)" on page 4.
Others	Further information can be found in chapter "3.5. Others" on page 4.
Environment and installation	
Installation position	As required, preferably with actuator upright
Ambient temperature	Max. + 55 °C (+ 200 °C on request)

2. Circuit functions

Symbol	Description
	Circuit function C (CF C) 3/2-way solenoid valve Direct-acting Normally closed

3. Approvals and conformities

3.1. General notes

- The approvals and conformities listed below must be stated when making enquiries. This is the only way to ensure that the product complies with all required specifications.
- Not all available versions can be supplied with the below mentioned approvals or conformities.

3.2. Conformity

In accordance with the Declaration of Conformity, the product is compliant with the EU Directives.

3.3. Standards


The applied standards which are used to demonstrate compliance with the EU Directives are listed in the EU-Type Examination Certificate and/or the EU Declaration of Conformity.

3.4. North America (USA/Canada)

Approval	Description
	Optional: UL Recognized for the USA and Canada (valid for coils) The coils are UL Recognized for the USA and Canada according to: <ul style="list-style-type: none"> • UL 429 (electrically operated valves) • CAN/CSA-C22.2 No. 139

3.5. Others

Oxygen

Conformity	Description
	Optional: Suitability for oxygen (valid for the variable code NL02) The products are suitable for use with gaseous oxygen, according to the manufacturer's declaration.

4. Materials

4.1. Bürkert resistApp

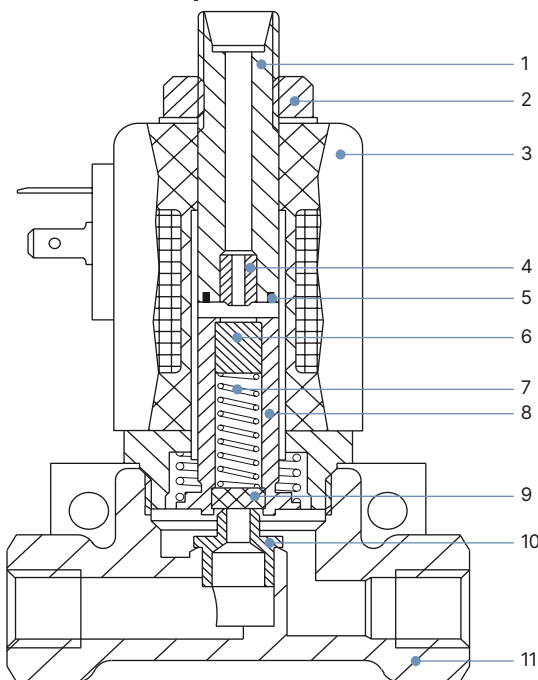


Bürkert resistApp – Chemical resistance chart

You want to ensure the reliability and durability of the materials in your individual application case? Verify your combination of media and materials on our website or in our resistApp.

[Start chemical resistance check](#)

4.2. Material specifications



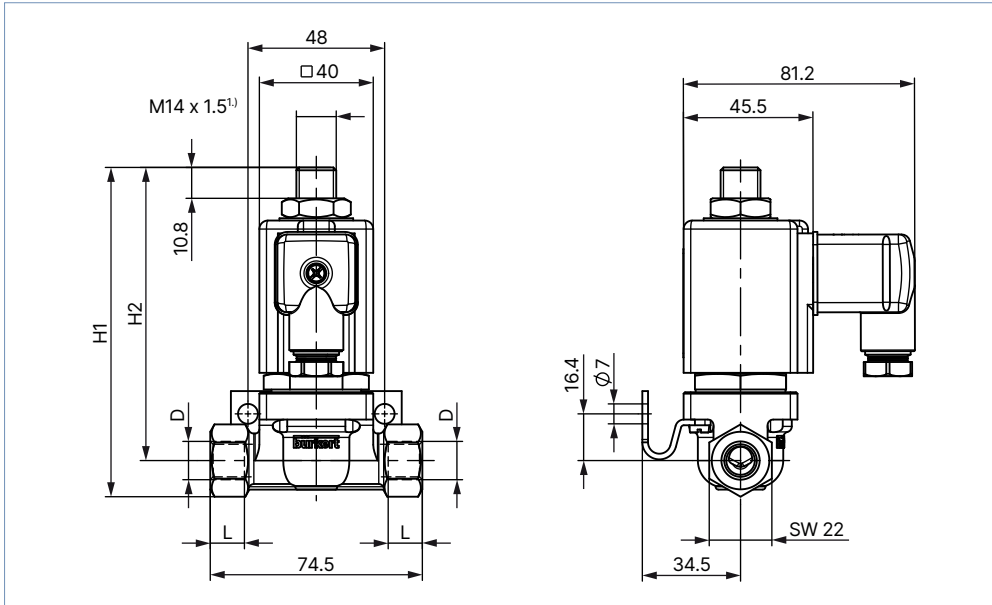
No.	Element	Material
1	Stopper	Stainless steel 1.4105
2	Locknut	Steel (thick-film passivated acc. to RoHS)
3	Coil	Epoxy
4	Valve Seat	Stainless steel 1.4305
5	Shading ring	Copper (brass version), only AC Silver (stainless steel version), only AC
6	Seal	EPDM, NBR, PTFE, FKM
7	Spring	Stainless steel 1.4310
8	Plunger	Stainless steel 1.4105
9	Seal	EPDM, NBR, PTFE, FKM
10	Valve Seat	Stainless steel 1.4305
11	Body	Brass or stainless steel 1.4581

5. Dimensions

5.1. Stainless steel version

Note:

Dimensions in mm



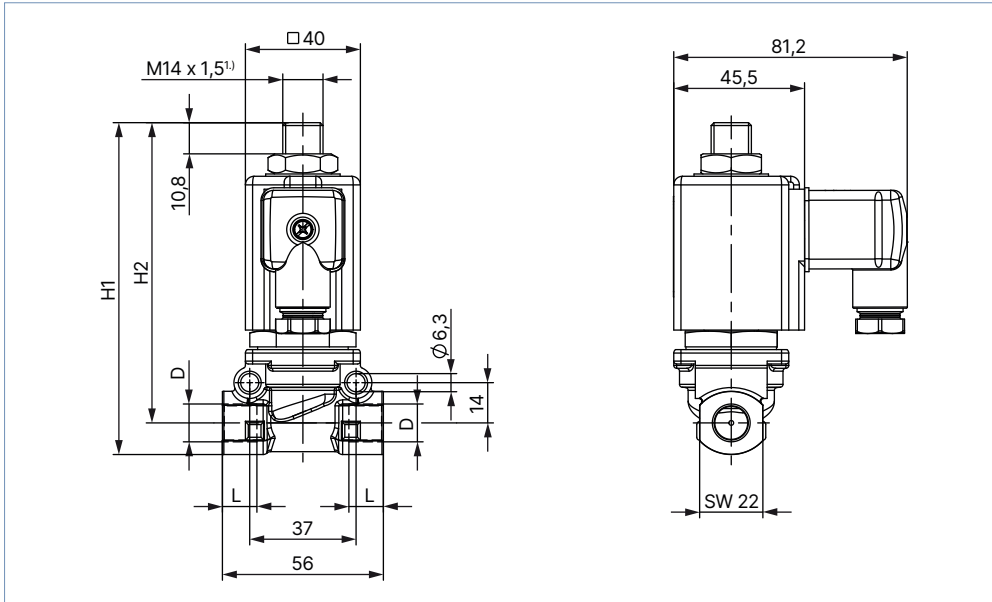
1.) M14 x 1.5 is intended for cutting ring fittings according to DIN EN ISO 8434, pipe diameter 8 mm.

D	L	H1	H2
NPT ¼	10	115.5	103
G ¼	12		

5.2. Brass version

Note:

Dimensions in mm



1.) M14 x 1.5 is intended for cutting ring fittings according to DIN EN ISO 8434, pipe diameter 8 mm.

D	L	H1	H2
NPT 3/8	10.3	115.5	104.5
NPT 1/4	10		
G 3/8	12		
G 1/4	12		

6. Ordering information

6.1. Bürkert eShop



Bürkert eShop – Easy ordering and quick delivery

You want to find your desired Bürkert product or spare part quickly and order directly? Our online shop is available for you 24/7. Sign up and enjoy all the benefits.

[Order online now](#)

6.2. Bürkert product filter

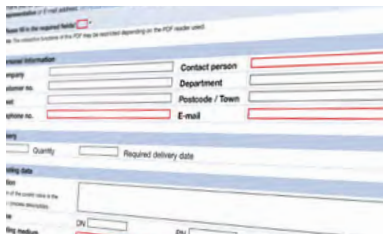


Bürkert product filter – Get quickly to the right product

You want to select products comfortably based on your technical requirements? Use the Bürkert product filter and find suitable articles for your application quickly and easily.

[Try out our product filter](#)

6.3. Bürkert Product Enquiry Form



Bürkert Product Enquiry Form – Your enquiry quickly and compactly

Would you like to make a specific product enquiry based on your technical requirements? Use our Product Enquiry Form for this purpose. There you will find all the relevant information for your Bürkert contact. This will enable us to provide you with the best possible advice.

[Fill out the form now](#)

DTS 1000010931 EN Version: L Status: RL (released | freigegeben | validé) printed: 24.01.2025

6.4. Ordering chart

Note:

- A cable plug is included in the delivery.
- Valves with brass body have a pressed in stainless steel seat 1.4305.
- Other versions on request

Circuit function	Port connection	Orifice [mm]	K _v value water [m³/h]	Pressure range [bar]	Seal material	Article no.		
						024/DC [V/Hz]	024/50 [V/Hz]	230/50 [V/Hz]
CF C 3/2-way solenoid valve Direct-acting Normally closed 	Brass body							
	G ¼	2.0	0.11	0...16	EPDM	–	–	066007
					NBR	043089	026069	068078
					PTFE	062188	049998	049025
		3.0	0.2	0...10	FKM	064392	–	126056
					NBR	068557	017668	061174
					PTFE	052665	067817	054885
	4.0	0.4	0...5	FKM	–	–	046655	
				NBR	061104	019095	061019	
				PTFE	052078	065552	058403	
	Stainless steel body							
	G ¼	4.0	0.4	0...5	PTFE	–	–	021253
FKM					–	–	066759	

– = not available

Further versions on request	
Control function/Circuit function Circuit functions D and E on request	Voltage Further voltages are available on request.
Material Further valve combinations (body and seal material) are available on request.	Approval Further information can be found in chapter "3. Approvals and conformities" on page 4.
Temperature High temperature version up to + 200 °C	

6.5. Ordering chart accessories

Cable plug Type 2518, form A according to DIN EN 175301 - 803

Note:

- Dimensions in mm
- For further versions see data sheet **Type 2518** ▶.

Cable plug	Dimensions	Version	Voltage	Article no.
		Without circuitry (AC/DC)	0...250 V AC/DC	314802
		With LED (AC/DC)	12...24 V AC/DC	314812
		With LED and varistor (AC/DC)	12...24 V AC/DC	314820
		With rectifier, LED and varistor	12...24 V AC/DC	314816
		Without circuitry (AC/DC) with silicone seal for higher ambient temperature, e.g. steam version (NA07)	0...250 V AC/DC	361687

DTS 1000010931 EN Version: L Status: RL (released | freigegeben | validé) printed: 24.01.2025

Mounting set brass body

Note:

- A mounting clamp and 2 cylinder screws M5 × 35 are included in the scope of delivery.
- Only for brass version
- 37 mm separation between the M5 threaded holes
- 48 mm separation between the Ø 7 bores
- Valve mounting with mounting set see **"5.2. Brass version" on page 7.**

Description	Article no.
	151287

Mounting set stainless steel body

Note:

- A mounting clamp and 2 cylinder screws M4 × 6 are included in the scope of delivery.
- Only for stainless steel version
- 29 mm separation between the M4 threaded holes
- 48 mm separation between the Ø 7 bores
- Valve mounting with mounting set see **"5.1. Stainless steel version" on page 6.**

Description	Article no.
	260250

DTS 1000010931 EN Version: L Status: RL (released | freigegeben | validé) printed: 24.01.2025