





Direct-acting 2/2-way solenoid valve

- Block screwed coil system
- Up to DN 12
- Brass or stainless steel valve body
- Wide range of applications



Product variants described in the data sheet may differ from the product presentation and description.

Can be combined with

	Type 2518 Cable plug, form A according to DIN EN 175301-803	▶
	Type 1087 Timer, form A according to DIN EN 175301-803	▶

Type description

This direct-acting plunger solenoid valve Type 0256 can be used in many ways. It is delivered with brass or stainless steel bodies for a wide range of orifices and connections.

Table of contents

1. General technical data	3
2. Circuit functions	3
3. Approvals and conformities	4
3.1. General notes	4
3.2. Conformity	4
3.3. Standards	4
3.4. North America (USA/Canada)	4
4. Materials	4
4.1. Bürkert resistApp	4
4.2. Material specifications	4
5. Dimensions	5
6. Ordering information	6
6.1. Bürkert eShop	6
6.2. Bürkert product filter	6
6.3. Bürkert Product Enquiry Form	6
6.4. Ordering chart	7
Brass body AF12 - 56 mm	7
Brass body 74 mm	8
Stainless steel body 74 mm	9
6.5. Ordering chart accessories	10
Cable plug Type 2518, form A according to DIN EN 175301 - 803 Note:	10
Timer Type 1087, form A according to DIN EN 175301 - 803	10
Mounting set brass body	11
Mounting set stainless steel body	11

DTS 1000010918 EN Version: J Status: RL (released | freigegeben | validé) printed: 24.01.2025

1. General technical data

Product properties	
Dimensions	Further information can be found in chapter "5. Dimensions" on page 5.
Material	
Seal	NBR, FKM (others on request)
Body	Brass, stainless steel 1.4581
Coil	Epoxy
Orifice	DN 2.0...DN 12.0
Circuit function	A Further information can be found in chapter "2. Circuit functions" on page 3.
Thermal insulation class of solenoid coil	Epoxy coil class H
Performance data	
Duty cycle	100 % continuous rating
Switching time¹⁾	
AC	Opening: 10...20 ms Closing: 20...30 ms
DC	Opening: 20...80 ms Closing: 20...30 ms
Electrical data	
Operating voltage	24 V DC, 24 V 50 Hz, 110 V 50 Hz, 230 V 50 Hz (further voltages on request)
Voltage tolerance	± 10 %
Medium data	
Operating medium	
With NBR	Neutral media, compressed air, water, oil
With FKM	Hot air, hot oils, oils with additives
All materials	Technical vacuum
Medium temperature	
With NBR (EPDM on request)	- 10 °C...+ 80 °C
With FKM	- 10 °C...+ 130 °C
Viscosity	Max. 21 mm ² /s (21 cSt)
Process/Port connection & communication	
Electrical connection	Plug contacts according to DIN EN 175 301 - 803 form A for cable plug Type 2518 ▶ Further information can be found in chapter "Cable plug Type 2518, form A according to DIN EN 175301 - 803 Note:" on page 10 (supplied as standard).
Port connection	G ¼, G ⅜, G ½, NPT on request
Approvals and conformities	
Degree of protection	IP65 with cable plug
North America (USA/Canada)	Further information can be found in chapter "3.4. North America (USA/Canada)" on page 4.
Environment and installation	
Installation position	As required, preferably with actuator upright
Ambient temperature	Max. + 55 °C

1.) Measurement at + 20 °C, 6 bar at the valve inlet and free outlet, opening: pressure build-up 0...90 %, closing: pressure reduction 100...10 %

2. Circuit functions

Symbol	Description
	Circuit function A (CF A) 2/2-way solenoid valve Direct-acting Normally closed

3. Approvals and conformities

3.1. General notes

- The approvals and conformities listed below must be stated when making enquiries. This is the only way to ensure that the product complies with all required specifications.
- Not all available versions can be supplied with the below mentioned approvals or conformities.

3.2. Conformity

In accordance with the Declaration of Conformity, the product is compliant with the EU Directives.

3.3. Standards

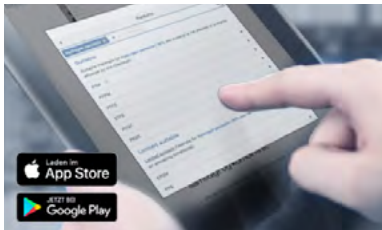
The applied standards which are used to demonstrate compliance with the EU Directives are listed in the EU-Type Examination Certificate and/or the EU Declaration of Conformity.

3.4. North America (USA/Canada)

Approval	Description
	<p>Optional: UL Recognized for the USA and Canada The coils are UL Recognized for the USA and Canada according to:</p> <ul style="list-style-type: none"> • UL 429 (electrically operated valves) • CAN/CSA-C22.2 No. 139

4. Materials

4.1. Bürkert resistApp

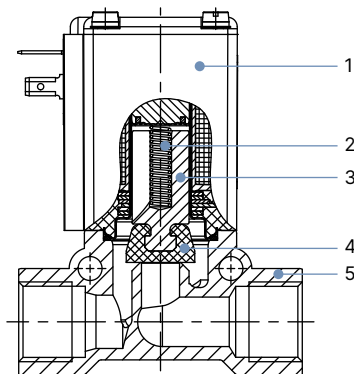


Bürkert resistApp – Chemical resistance chart

You want to ensure the reliability and durability of the materials in your individual application case? Verify your combination of media and materials on our website or in our resistApp.

[Start chemical resistance check](#)

4.2. Material specifications

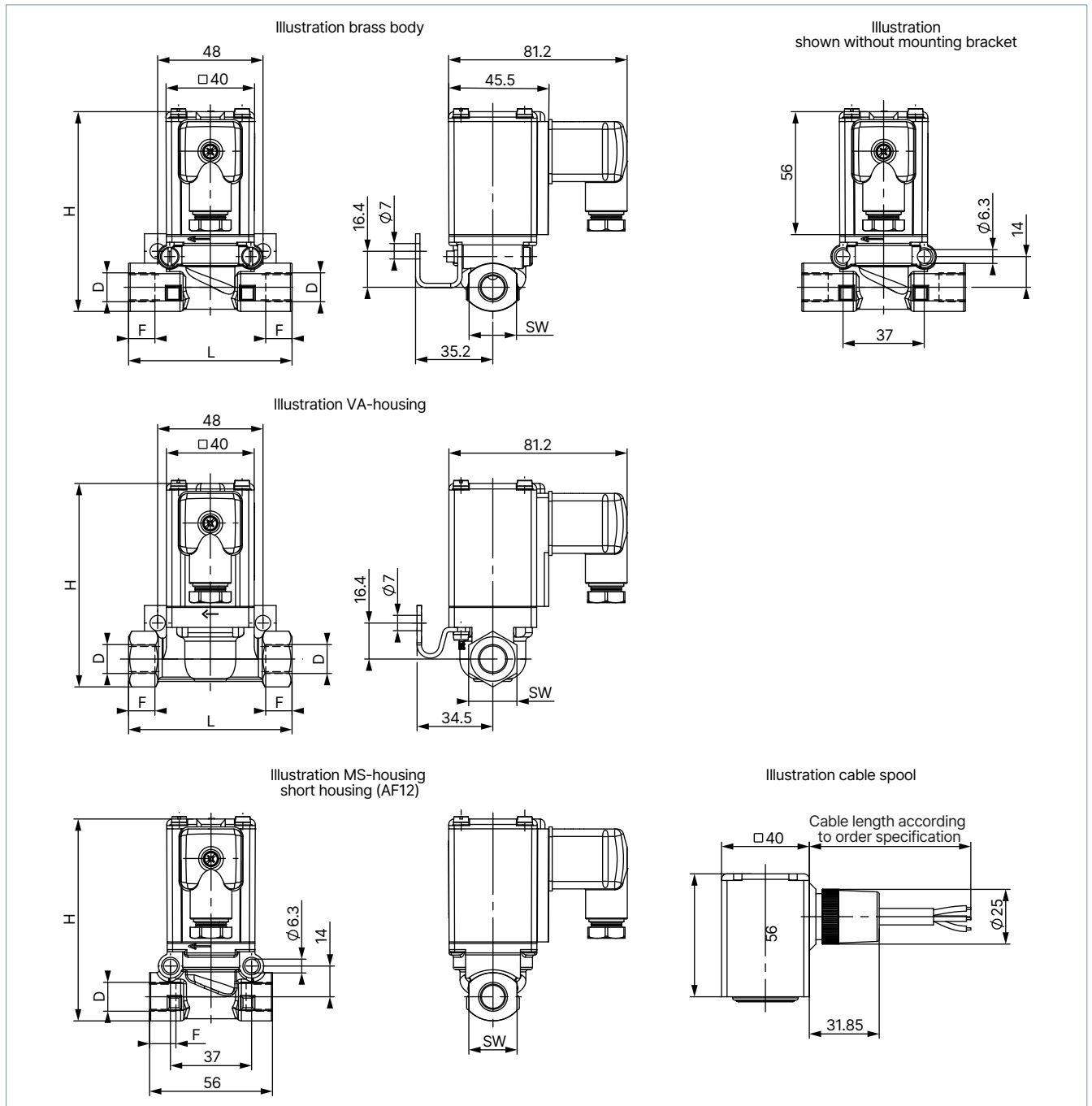


No.	Element	Material
1	Coil	Epoxy
2	Spring	Stainless steel 1.4310
3	Core	Stainless steel 1.4105
4	Seal	NBR/FKM (EPDM on request)
5	Body	Brass, stainless steel 1.4581

5. Dimensions

Note:

Dimensions in mm



Body material	D	F [mm]	H [mm]	L [mm]	SW [mm]
Brass	G ¼	12	91	74.5	22
Brass	G ⅜	12	91	74.5	22
Brass	G ½	14	94	74.5	27
Stainless steel	G ¼	12	92	74.5	22
Stainless steel	G ½	14	95.6	74.5	27
Brass	G ¼	12	92	56	22
Brass	G ⅜	12	92	56	22

6. Ordering information

6.1. Bürkert eShop



Bürkert eShop – Easy ordering and quick delivery

You want to find your desired Bürkert product or spare part quickly and order directly? Our online shop is available for you 24/7. Sign up and enjoy all the benefits.

[Order online now](#)

6.2. Bürkert product filter

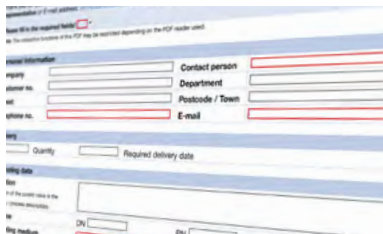


Bürkert product filter – Get quickly to the right product

You want to select products comfortably based on your technical requirements? Use the Bürkert product filter and find suitable articles for your application quickly and easily.

[Try out our product filter](#)

6.3. Bürkert Product Enquiry Form



Bürkert Product Enquiry Form – Your enquiry quickly and compactly

Would you like to make a specific product enquiry based on your technical requirements? Use our Product Enquiry Form for this purpose. There you will find all the relevant information for your Bürkert contact. This will enable us to provide you with the best possible advice.

[Fill out the form now](#)

DTS 1000010918 EN Version: J Status: RL (released | freigegeben | validé) printed: 24.01.2025

6.4. Ordering chart

Brass body AF12 - 56 mm

Note:

- A cable plug is included in the delivery.
- The mounting bracket is included in the delivery for versions with VAR KC74.
- The mounting bracket can be ordered separately (see "6.5. Ordering chart accessories" on page 10).

Circuit function	Port connection	Orifice	K _v value water ¹⁾	Pressure range ²⁾			Article no. per voltage/frequency				
				Liquids and gases	Liquids	Gases	024/DC	024/50	110/50	230/50	
				DC	AC						
		[mm]	[m ³ /h]	[bar]	[bar]	[bar]	[V/Hz]	[V/Hz]	[V/Hz]	[V/Hz]	
CF A 2/2-way solenoid valve Direct-acting Normally closed 	Seal material NBR										
	G ¼	3	0.25	0...10	0...22	0...22	145725	045819	–	145803	
		4	0.5	0...6	0...12	0...16	145727	145728	145730	145731	
		5	0.65	0...2.5	0...6	0...12	145747	145748	145749	145750	
		6	0.8	0...2	0...4	0...8	145759	145761	–	145764	
	G ⅜	3	0.25	0...10	0...22	0...22	–	–	–	–	
		4	0.5	0...6	0...12	0...16	145733	145734	145735	145736	
		5	0.65	0...2.5	0...6	0...12	145752	145753	–	145755	
		6	0.8	0...2	0...4	0...8	145766	145767	145768	145769	
	G ⅜	8	0.9	0...0.5	0...1.5	0...2.5	145778	145779	145780	145781	
		Seal material FKM									
		G ¼	3	0.25	0...10	0...22	0...22	047627	–	–	–
			4	0.5	0...6	0...12	0...16	044092	041014	–	056970
	5		0.65	0...2.5	0...6	0...12	066997	–	–	041694	
	6		0.8	0...2	0...4	0...8	052431	145774	–	057189	
	G ⅜	3	0.25	0...10	0...22	0...22	151023	–	–	056772	
		4	0.5	0...6	0...12	0...16	145739	–	–	145740	
		5	0.65	0...2.5	0...6	0...12	054157	042514	–	040942	
		6	0.8	0...2	0...4	0...8	056636	145775	045873	056544	
	8	0.9	0...0.5	0...1.5	0...2.5	043389	–	–	145783		

– = not available

1.) Measurement at +20 °C, 1 bar at the valve inlet and free outlet

2.) Overpressure to atmospheric pressure (the pressure rates for liquids are specified on the type plate)

DTS 1000010918 EN Version: J Status: RL (released | freigegeben | valide) printed: 24.01.2025

Brass body 74 mm

Note:

- A cable plug is included in the delivery.
- The mounting bracket is included in the delivery for versions with VAR KC74.
- The mounting bracket can be ordered separately (see [“6.5. Ordering chart accessories” on page 10](#)).

Circuit function	Port connection	Orifice	K _v value water ^{1.)}	Pressure range ^{2.)}			Article no. per voltage/frequency			
				DC	AC		024/DC	024/50	110/50	230/50
				Liquids and gases	Liquids	Gases				
		[mm]	[m ³ /h]	[bar]	[bar]	[bar]	[V/Hz]	[V/Hz]	[V/Hz]	[V/Hz]
CF A 2/2-way solenoid valve Direct-acting Normally closed 	Seal material NBR									
	G 1/4	4	0.5	0...6	0...12	0...16	055418	145729	–	054569
		6	0.8	0...2	0...4	0...8	145760	054924	054729	145763
	G 3/8	6	0.8	0...2	0...4	0...8	055963	053680	–	054360
		10	1.5	0...0.4	0...1	0...1.5	145784	145805	040521	145786
	G 1/2	6	0.8	0...2	0...4	0...8	145771	057212	065499	145772
		8	0.9	0...0.5	0...1.5	0...2.5	040532	043220	065361	056421
		10	1.5	0...0.4	0...1	0...1.5	145788	145789	145790	120133
		12	1.8	0...0.1	0...0.5	0...1	145796	145797	–	145799
	Seal material FKM									
	G 1/4	4	0.5	0...6	0...12	0...16	056010	–	–	145738
		6	0.8	0...2	0...4	0...8	043084	–	085459	054484
	G 3/8	6	0.8	0...2	0...4	0...8	–	–	–	145804
		10	1.5	0...0.4	0...1	0...1.5	054672	058912	–	054673
	G 1/2	6	0.8	0...2	0...4	0...8	145776	051894	054696	055163
		8	0.9	0...0.5	0...1.5	0...2.5	058779	064865	–	045502
		10	1.5	0...0.4	0...1	0...1.5	145806	145792	–	054983
		12	1.8	0...0.1	0...0.5	0...1	057676	241863	–	145801

– = not available

1.) Measurement at +20 °C, 1 bar at the valve inlet and free outlet

2.) Overpressure to atmospheric pressure (the pressure rates for liquids are specified on the type plate)

DTS 1000010918 EN Version: J Status: RL (released | freigegeben | valide) printed: 24.01.2025

Stainless steel body 74 mm

Note:

- A cable plug is included in the scope of delivery.
- The mounting bracket is included in the scope of delivery for versions with VAR KC74.
- The mounting bracket can be ordered separately (see **“6.5. Ordering chart accessories” on page 10**).

Circuit function	Port connection	Orifice	K _v value water ^{1.)}	Pressure range ^{2.)}			Article no. per voltage/frequency			
				DC	AC		024/DC	024/50	110/50	230/50
				Liquids and gases	Liquids	Gases				
		[mm]	[m ³ /h]	[bar]	[bar]	[bar]	[V/Hz]	[V/Hz]	[V/Hz]	[V/Hz]
CF A 2/2-way solenoid valve Direct-acting Normally closed 	Seal material NBR									
	G ¼	3	0.25	0...10	0...22	0...22	313500	–	–	–
		4	0.5	0...6	0...12	0...16	024477	079293	120222	043678
		6	0.8	0...2	0...4	0...8	–	087486	–	–
	G ½	6	0.8	0...2	0...4	0...8	051592	–	–	049949
		10	1.5	0...0.4	0...1	0...1.5	049824	–	–	046026
		12	1.8	0...0.1	0...0.5	0...1	087647	–	–	044823
	Seal material FKM									
	G ¼	4	0.5	0...6	0...12	0...16	145742	126470	–	087901
		6	0.8	0...2	0...4	0...8	050518	066200	–	025056
	G ½	6	0.8	0...2	0...4	0...8	062494	046313	–	048700
		8	0.9	0...0.5	0...1.5	0...2.5	052594	–	–	048318
		10	1.5	0...0.4	0...1	0...1.5	063671	145793	023942	048699
		12	1.8	0...0.1	0...0.5	0...1	179410	054103	059267	145802

– = not available

1.) Measurement at +20 °C, 1 bar at the valve inlet and free outlet


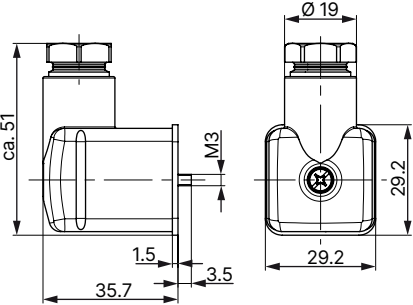
2.) Overpressure to atmospheric pressure (the pressure rates for liquids are specified on the type plate)

DTS 1000010918 EN Version: J Status: RL (released | freigegeben | validé) printed: 24.01.2025

6.5. Ordering chart accessories

Cable plug Type 2518, form A according to DIN EN 175301 - 803 Note:



- Dimensions in mm
- For further versions see data sheet **Type 2518** ▶

Cable plug	Dimensions	Version	Voltage	Article no.
		Without circuitry (AC/DC)	0...250 V AC/DC	314802
		With LED (AC/DC)	12...24 V AC/DC	314812
		With LED and varistor (AC/DC)	12...24 V AC/DC	314820
		With rectifier, LED and varistor	12...24 V AC/DC	314816
		Without circuitry (AC/DC) with silicone seal for higher ambient temperature, e.g. steam version (NA07)	0...250 V AC/DC	361687

Timer Type 1087, form A according to DIN EN 175301 - 803

Note:

Refer to data sheet **Type 1087** ▶ for more information about the timer.

Timer	Approval	Product code	Voltage range	Article no.
	-	1087-A-BCH-UC - 28	10...30 V AC/DC	348828
	-	1087-A-BDK-UC - 28	24...240 V AC/DC	348829
	cURus	1087-A-BCH-UC - 28*PU01	10...30 V AC/DC	348906
	cURus	1087-A-BDK-UC - 28*PU01	24...240 V AC/DC	348907
	-	1087-A-BFW-UC - 29	10...48 V AC/DC	348830
	-	1087-A-BDX-UC - 29	110...240 V AC/DC	348831
	cURus	1087-A-BFW-UC - 29*PU01	10...48 V AC/DC	348908
	cURus	1087-A-BDX-UC - 29*PU01	110...240 V AC/DC	348909

DTS 1000010918 EN Version: J Status: RL (released | freigegeben | validé) printed: 24.01.2025

Mounting set brass body

Note:

- A mounting clamp and 2 cylinder screws M5 × 35 are included in the scope of delivery.
- Only for brass version
- 37 mm separation between the M5 threaded holes
- 48 mm separation between the Ø 7 bores
- Valve mounting with mounting set see [“5. Dimensions” on page 5](#)

Description	Article no.
	151287

Mounting set stainless steel body

Note:

- A mounting clamp and 2 cylinder screws M4 × 6 are included in the scope of delivery.
- Only for stainless steel version
- 29 mm separation between the M4 threaded holes
- 48 mm separation between the Ø 7 bores
- Valve mounting with mounting set see [“5. Dimensions” on page 5](#)

Description	Article no.
	260250

DTS 1000010918 EN Version: J Status: RL (released | freigegeben | validé) printed: 24.01.2025