



Direct-acting 2/2-way plunger valve

- Push-over solenoid system
- Compact design, up to DN 6
- Housing made of brass or stainless steel with threaded connection



Product variants described in the data sheet may differ from the product presentation and description.

Can be combined with



Type 2518
Cable plug,
form A according to
DIN EN 175301-803



Type 1087
Timer,
form A according to
DIN EN 175301-803



Type description

The direct-acting plunger solenoid valve Type 0255 is also suitable for high pressures and high temperatures.

Table of contents

1. General technical data	3
2. Circuit functions	3
3. Approvals and conformities	4
3.1. General notes	4
3.2. Conformity	4
3.3. Standards	4
3.4. North America (USA/Canada)	4
4. Materials	5
4.1. Bürkert resistApp	5
4.2. Material specifications	5
5. Dimensions	6
5.1. Standard version	6
Stainless steel version	6
Brass version	7
5.2. High temperature version	8
6. Performance specifications	9
6.1. Power consumption	9
Standard version	9
High temperature version	9
6.2. Temperature/duty cycle derating diagram for high temperature version	9
7. Ordering information	10
7.1. Bürkert eShop	10
7.2. Bürkert product filter	10
7.3. Bürkert Product Enquiry Form	10
7.4. Ordering chart	11
Standard version	11
High temperature version	12
7.5. Ordering chart accessories	12
Cable plug Type 2518, form A according to DIN EN 175301 - 803	12
Mounting set brass body	13
Mounting set stainless steel body	13

1. General technical data

Product properties	
Dimensions	Further information can be found in chapter "5. Dimensions" on page 6.
Material	
Seal	FKM, PTFE, stainless steel (others on request)
Body	Brass with stainless steel seat 1.4305, stainless steel body 1.4581
Coil	Epoxy
Orifice	DN 1.0...DN 6.0
Circuit function	A Further information can be found in chapter "2. Circuit functions" on page 3.
Thermal insulation class of solenoid	Epoxy coil class H
Performance data	
Duty cycle	100 % continuous operation
Switching time¹⁾	
AC	Opening: 10 ms...20 ms Closing: 20 ms...30 ms
DC	Opening: 20 ms...80 ms Closing: 20 ms...30 ms
Electrical data	
Operating voltage	24 V DC, 24 V 50 Hz, 110 V 50 Hz, 230 V 50 Hz (further voltages on request)
Voltage tolerance	± 10 %
Medium data	
Operating medium	
With FKM	Hot air, hot oils, oils with additives, per-solutions
With PTFE	Water, steam, fuels, hydraulic materials, alcohol, organic solvents, waste gas
Medium temperature	
With FKM	- 10 °C...+ 130 °C
With PTFE	- 40 °C...+ 180 °C
With stainless steel	Up to + 210 °C (on request)
Viscosity	Max. 21 mm ² /s (21 cSt)
Process/Port connection & communication	
Electrical connection	Plug contacts according to DIN EN 175301 - 803 form A for cable plug Type 2518 ▶ Further information can be found in chapter "Cable plug Type 2518, form A according to DIN EN 175301 - 803" on page 12 (supplied as standard).
Port connection	G ¼, G ⅜, G ½, NPT on request
Approvals and conformities	
Degree of protection	IP65 with cable plug for standard devices IP50 without cable plug for high temperature devices
North America (USA/Canada)	Further information can be found in chapter "3.4. North America (USA/Canada)" on page 4.
Environment and installation	
Installation position	As required, preferably with actuator upright
Ambient temperature	Max. + 55 °C (+ 210 °C on request, see "7.4. Ordering chart" on page 11)

1.) Measurement at + 20 °C, 6 bar at the valve inlet and free outlet, opening: pressure build-up 0...90 %, closing: pressure reduction 100...10 %

2. Circuit functions

Symbol	Description
	Circuit function A (CF A) 2/2-way solenoid valve Direct-acting Normally closed

3. Approvals and conformities

3.1. General notes

- The approvals and conformities listed below must be stated when making enquiries. This is the only way to ensure that the product complies with all required specifications.
- Not all available versions can be supplied with the below mentioned approvals or conformities.

3.2. Conformity

In accordance with the Declaration of Conformity, the product is compliant with the EU Directives.

3.3. Standards

The applied standards which are used to demonstrate compliance with the EU Directives are listed in the EU-Type Examination Certificate and/or the EU Declaration of Conformity.

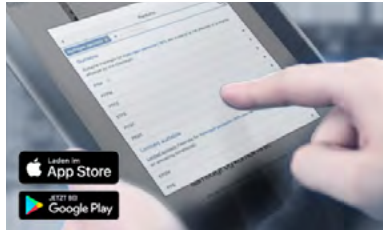
3.4. North America (USA/Canada)

Approval	Description
	<p>Optional: UL Recognized for the USA and Canada (valid for coils) The coils are UL Recognized for the USA and Canada according to:</p> <ul style="list-style-type: none"> • UL 429 (electrically operated valves) • CAN/CSA-C22.2 No. 139

DTS 1000010917 EN Version: R Status: RL (released | freigegeben | validé) printed: 24.01.2025

4. Materials

4.1. Bürkert resistApp

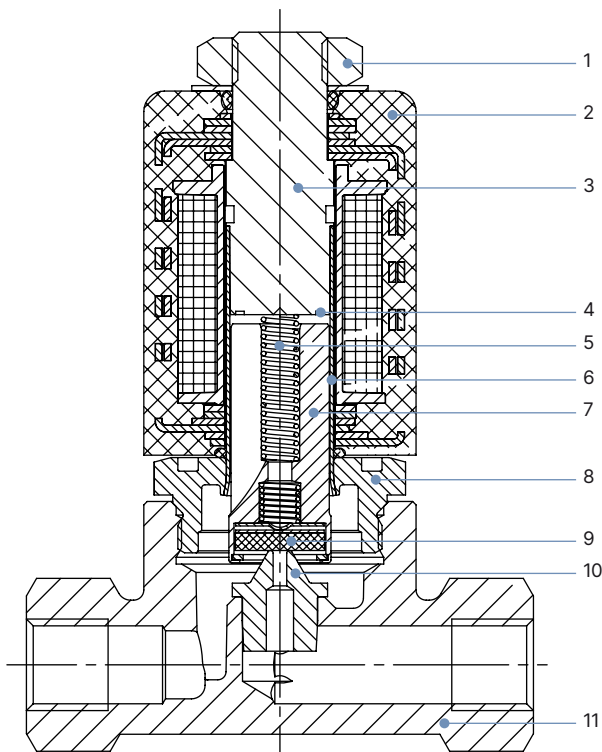


Bürkert resistApp – Chemical resistance chart

You want to ensure the reliability and durability of the materials in your individual application case? Verify your combination of media and materials on our website or in our resistApp.

[Start chemical resistance check](#)

4.2. Material specifications



No.	Element	Material
1	Locknut	Steel (thick-film passivated acc. to RoHS)
2	Coil	Epoxy, steel (High temperature version)
3	Stopper	Stainless steel 1.4105
4	Shading ring	Copper (brass version), only AC Silver (stainless steel version), only AC
5	Spring	Stainless steel 1.4310
6	Guide tube	Stainless steel 1.4571
7	Plunger	Stainless steel 1.4105
8	Hexagon nut	Stainless steel 1.4401 or stainless steel 1.4571
9	Seal	FKM, PTFE, stainless steel
10	Valve Seat	Stainless steel 1.4305 or stainless steel 1.4112 (only brass body)
11	Body	Brass or stainless steel 1.4581

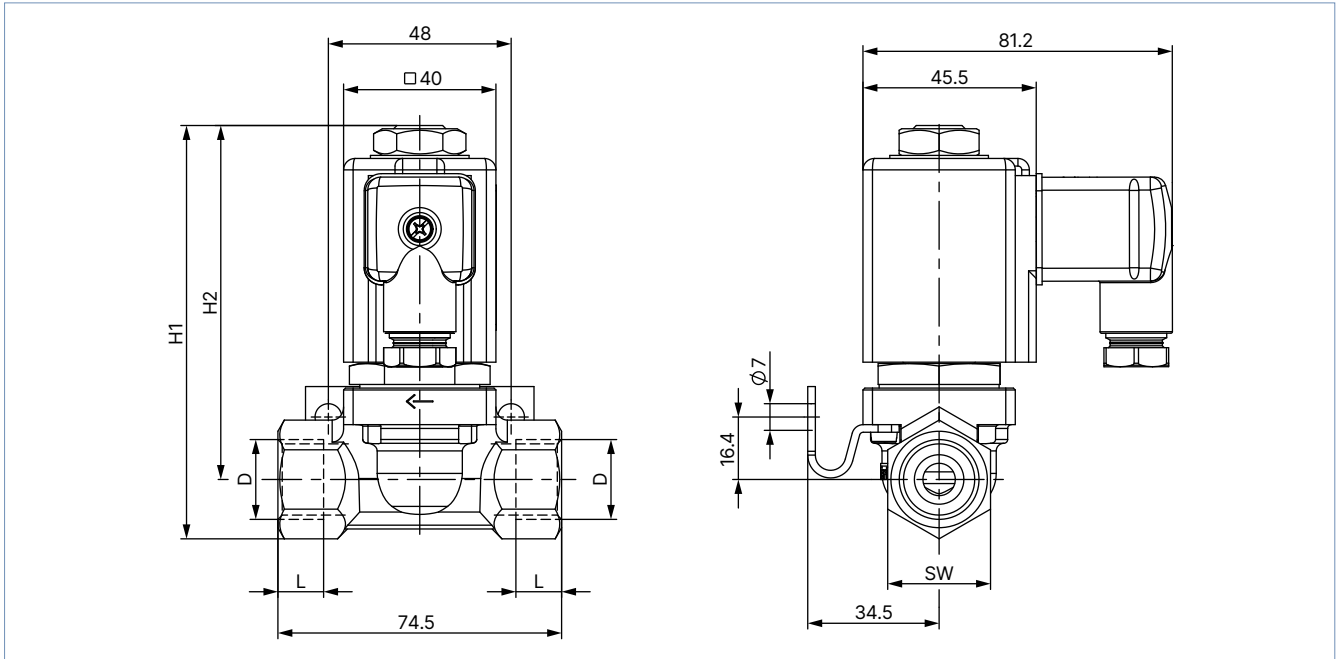
5. Dimensions

5.1. Standard version

Stainless steel version

Note:

Dimensions in mm

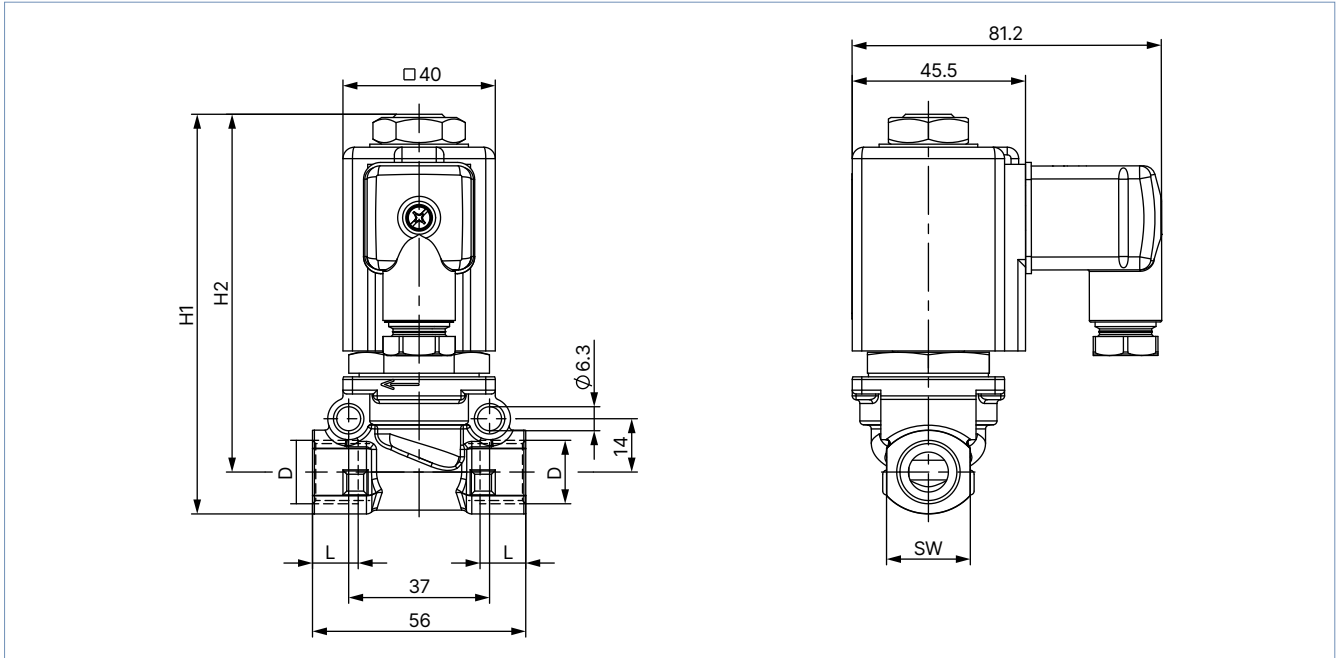


D	L	H1	H2	SW
G 1/2	14	108.5	93	27
G 1/4	12	106		22
NPT 1/2	13.5	108.5		27
NPT 1/4	10	106		22

Brass version

Note:

Dimensions in mm

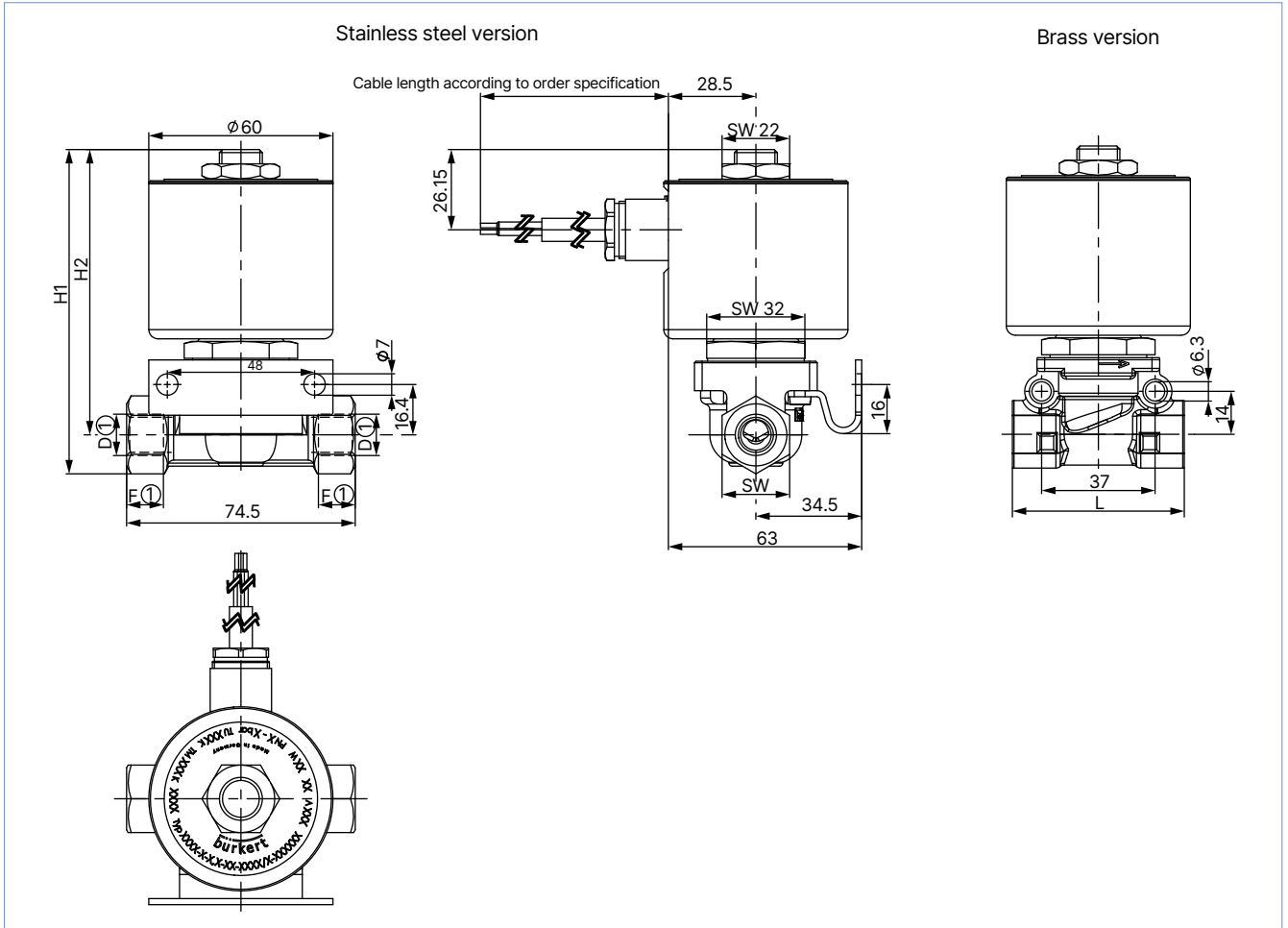


D	L	H1	H2	SW
G 1/2	14	107	93	27
G 1/4	12	105	94	22
G 3/8				
NPT 1/2	13.5	107	93	27
NPT 1/4	10	105	94	22
NPT 3/8	10.3			

5.2. High temperature version

Note:

Dimensions in mm



Body material	D1	F1	D2	F2	L	H1	H2	SW
Brass version	G 3/8	12	NPT 3/8	10.3	56	105	94	22
	G 1/4	12	NPT 1/4	10	56	105	94	22
	G 1/2	14	NPT 1/2	13.5	74.5	107	93	27
Stainless steel version	G 1/4	12	NPT 1/4	10	74.5	106	93	22
	G 1/2	14	NPT 1/2	13.5	74.5	108.5	93	27

DTS 1000010917 EN Version: R Status: RL (released | freigegeben | valide) printed: 24.01.2025

6. Performance specifications

6.1. Power consumption

Standard version

Orifice	Electrical power consumption			Switching times			
	Inrush	Hold (hot coil) ^{1.)}		Opening		Closing	
	AC	AC	DC	AC	DC	AC	DC
[mm]	[VA]	[VA/W]	[W]	[ms]	[ms]	[ms]	[ms]
1.0...6.0	35...40	16/10	approx. 12 (13)	10...20	20...80	20...30	20...30

- 1.) Value in brackets corresponds to a coil temperature of + 20 °C
- 2.) Switching times for standard and high temperature devices

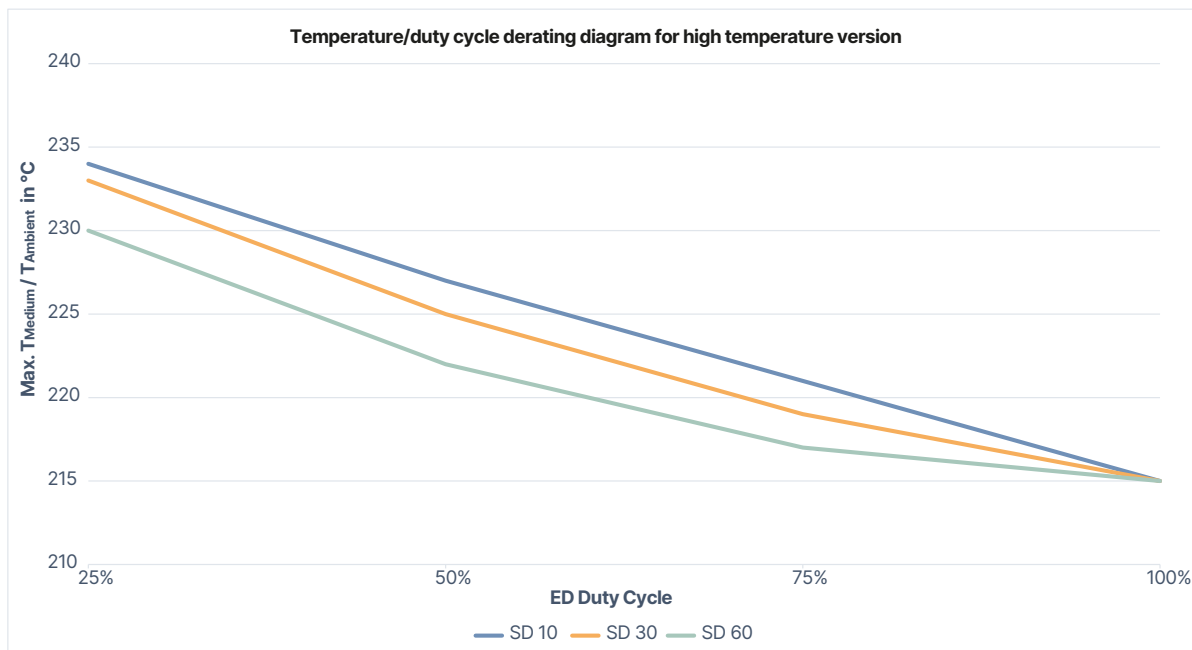
High temperature version

Orifice	Electrical power consumption			
	CF42 up to + 210 °C ambient temperature		CF09 up to + 180 °C ambient temperature	
	Cold performance ^{1.)}		Warm performance ^{2.)}	
[mm]	[W]	[W]	[W]	[W]
1.0...6.0	10	6	13	7

- 1.) Cold performance refers to a coil temperature of + 20 °C
- 2.) Warm performance at max. ambient temperature and 100 % duty cycle

6.2. Temperature/duty cycle derating diagram for high temperature version

Depending on the duty cycle (ED) and the cycle time (SD), the medium and ambient temperature can be increased for the CF42 version with steel sealing.



ED [%]
 SD [min]
 T_{Medium} = Medium temperature
 T_{Ambient} = Ambient temperature

7. Ordering information

7.1. Bürkert eShop



Bürkert eShop – Easy ordering and quick delivery

You want to find your desired Bürkert product or spare part quickly and order directly? Our online shop is available for you 24/7. Sign up and enjoy all the benefits.

[Order online now](#)

7.2. Bürkert product filter

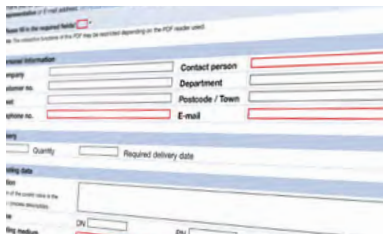


Bürkert product filter – Get quickly to the right product

You want to select products comfortably based on your technical requirements? Use the Bürkert product filter and find suitable articles for your application quickly and easily.

[Try out our product filter](#)

7.3. Bürkert Product Enquiry Form



Bürkert Product Enquiry Form – Your enquiry quickly and compactly

Would you like to make a specific product enquiry based on your technical requirements? Use our Product Enquiry Form for this purpose. There you will find all the relevant information for your Bürkert contact. This will enable us to provide you with the best possible advice.

[Fill out the form now](#)

DTS 1000010917 EN Version: R Status: RL (released | freigegeben | validé) printed: 24.01.2025

7.4. Ordering chart

Standard version

Note:

- All valves are delivered with a stainless steel seat.
- A cable plug is included in the delivery.
- Further versions are available on request.

Circuit function	Port connection	Orifice [mm]	K _v value water ^{1.)} [m ³ /h]	Pressure range ^{2.)}			Seal material	Article no.			
				liquids and gases	liquids	gases		024/DC	024/50	110/50	230/50
				DC	AC			[V/Hz]	[V/Hz]	[V/Hz]	[V/Hz]
CF A 2/2-way solenoid valve Direct-acting Normally closed 	Brass body										
	G 1/4	1.0	0.03	0...100	0...100	0...100	PTFE	058360	020755	-	067692
		2.0	0.12	0...20	0...35	0...60	FKM	089888	020033	020101	064119
		3.0	0.25	0...10	0...16	0...25	PTFE	052872	058421	058888	046865
		4.0	0.5	0...4	0...10	0...12	PTFE	058796	065454	023897	053188
		5.0	0.65	0...2	0...6	0...7	PTFE	020164	049194	049830	050879
		5.0	0.65	0...2	0...6	0...7	FKM	-	-	-	052424
	G 3/8	4.0	0.5	0...4	0...10	0...12	PTFE	065438	059100	046886	051143
		5.0	0.65	-	0...6	0...16	FKM	-	022551	-	025885
		5.0	0.65	0...2	0...6	0...7	PTFE	020664	057644	023581	050880
		6.0	0.8	0...1	0...4	0...5	PTFE	053764	050389	066222	051324
	G 1/2 ^{3.)}	4.0	0.5	0...4	0...10	0...12	PTFE	089404	-	089403	076551
		6.0	0.8	0...1	0...4	0...5	FKM	135958	135959	135947	135950
	Stainless steel body										
	G 1/4 ^{3.)}	1.0	0.03	0...100	0...100	0...100	PTFE	018004	078420	-	019862
		3.0	0.25	0...10	0...16	0...25	PTFE	021554	018593	-	061010
		4.0	0.5	0...4	0...10	0...12	PTFE	021251	020468	-	023279
		5.0	0.65	0...2	0...6	0...7	PTFE	125097	019991	086924	025250
	G 1/2 ^{3.)}	3.0	0.25	0...10	0...16	0...25	PTFE	019204	059254	-	055506
		4.0	0.5	0...4	0...10	0...12	PTFE	065684	066932	-	054473
6.0		0.8	0...1	0...4	0...5	FKM	022504	052859	067990	054811	

- = not available

1.) Measurement at + 20 °C, 1 bar at the valve inlet and free outlet

2.) Pressure data: overpressure to atmospheric pressure (the pressure rates for liquids are specified on the type plate)

3.) All versions with mounting bracket included

DTS 1000010917 EN Version: R Status: RL (released | freigegeben | valide) printed: 24.01.2025

High temperature version

Circuit function	Port connection	Orifice	K _v value water ^{1.)}	Pressure range liquids and gases ^{2.)}	Seal material	Article no.
		[mm]	[m ³ /h]	[bar]		024/DC [V/Hz]
CF A 2/2-way solenoid valve Direct-acting Normally closed 	Stainless steel body with CF09 coil (medium temperature up to + 180 °C)					
	G ¼	2.0	0.12	0...20	PTFE	085968
		3.0	0.25	0...10	PTFE	141961
		4.0	0.5	0...4	PTFE	020734
	Stainless steel body with CF42 coil (medium temperature up to + 210 °C)					
	G ¼	3.0	0.25	0...10	Steel	20032425
4.0		0.5	0...4	Steel	20032423	
5.0		0.65	0...2	Steel	20043309	

1.) Measurement at +20 °C, 1 bar at the valve inlet and free outlet

2.) Pressure data: overpressure to atmospheric pressure (the pressure rates for liquids are specified on the type plate)

Further versions on request	
Approval Further information can be found in chapter "3.4. North America (USA/Canada)" on page 4.	Voltage Further voltages are available on request.
Temperature High temperature version up to + 210 °C	Pressure High performance version with high power electronic for higher pressures.
Material Seal material EPDM, NBR, steel	

7.5. Ordering chart accessories

Cable plug Type 2518, form A according to DIN EN 175301 - 803

Note:

- Dimensions in mm
- For further versions see data sheet [Type 2518](#) ▶

Cable plug	Dimensions	Version	Voltage	Article no.
		Without circuitry (AC/DC)	0...250 V AC/DC	314802
		With LED (AC/DC)	12...24 V AC/DC	314812
		With LED and varistor (AC/DC)	12...24 V AC/DC	314820
		With rectifier, LED and varistor	12...24 V AC/DC	314816
		Without circuitry (AC/DC) with silicone seal for higher ambient temperature, e.g. steam version (NA07)	0...250 V AC/DC	361687

DTS 1000010917 EN Version: R Status: RL (released | freigegeben | validé) printed: 24.01.2025

Mounting set brass body

Note:

- A mounting clamp and 2 cylinder screws M5 × 35 are included in the scope of delivery.
- Only for brass version
- 37 mm separation between the M5 threaded holes
- 48 mm separation between the Ø 7 bores
- Valve mounting with mounting set see **"Brass version" on page 7.**

Description	Article no.
	151287

Mounting set stainless steel body

Note:

- A mounting clamp and 2 cylinder screws M4 × 6 are included in the scope of delivery.
- Only for stainless steel version
- 29 mm separation between the M4 threaded holes
- 48 mm separation between the Ø 7 bores
- Valve mounting with mounting set see **"Stainless steel version" on page 6.**

Description	Article no.
	260250

DTS 1000010917 EN Version: R Status: RL (released | freigegeben | validé) printed: 24.01.2025